

LUXURY ORTHOPEDIC BACKREST LEATHER

BEST SUPPORT FOR YOUR BACK



movinglife[®]

SEATING & SUPPORT



ATTO /ATTO
SPORT Armrests



Seat cushion



Seat cushion
leather



Luxury Swivel
Seat Leather



Seat & Cushion
Support Belt



Luxury Orthopedic
Backrest

STORAGE



Essentials
Pouch



Front & rear
basket



Caryall
& Cushion



Caryall
& Cushion leather



Pet Carrier &
Cushion Black



Flight Kit



Oxygen Bottle
Holder & Case

TECHNICAL



Cane / Crutches
Holders



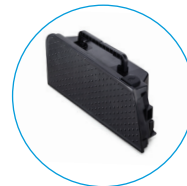
Mobile Phone
Holder



Rear Light Lifting
Handle



ATTO Left Hand
Throttle Kit



Standard Flight
Battery



Launch - H2 2023

Long distance
battery - not flight
approved



Cable kit

ATTO Accessories are created specifically to enhance, support and work with the ATTO mobility scooters in all user modes; while driving, while wheeling along as trolley and when folded for storage or transportation.

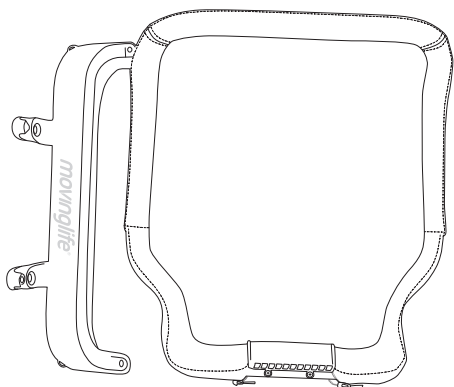
SCAN TO LEARN
HOW TO COMBINE
OUR ACCESSORIES



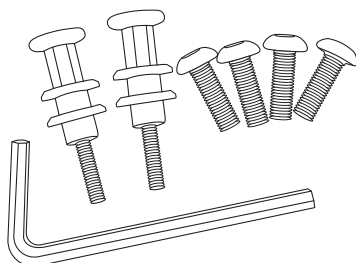
How to Use

LUXURY ORTHOPEDIC BACKREST LEATHER

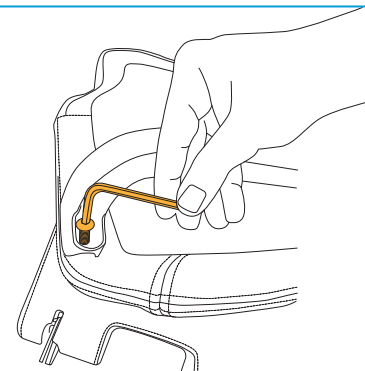
The kit includes:



1. Orthopedic backrest and adaptor

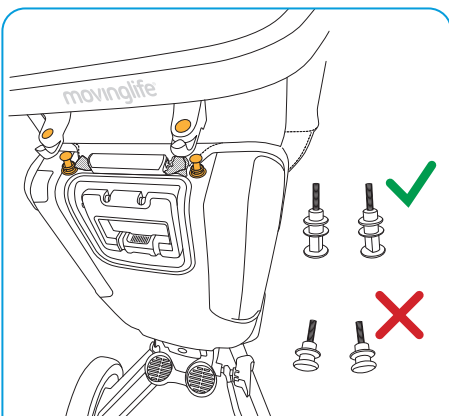


2. Screw kit:
1 X Hex key
4 X M5 screws
2 X long knobs



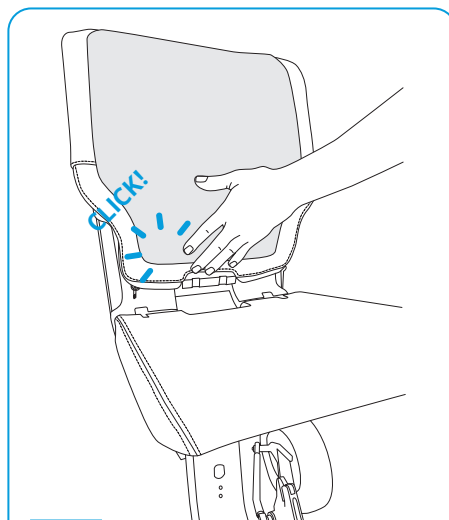
01

First, you need to connect the two parts of the orthopedic backrest to each other, with the help of the Hex Key you received with the kit.



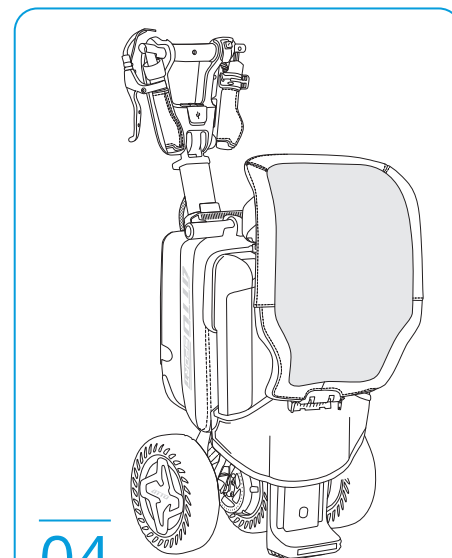
02

Unscrew the SHORT plastic knobs attached to the back. Replace them with the LONG knobs provided in the box. Then, place the holes of the orthopedic backrest over the knobs and make sure it sits firmly in place.



03

Fasten the lower part of the orthopedic back to the lower part of the chair, by pressing.



04

Folded mode: attach the orthopedic back to the back of the scooter back, with the long knobs.