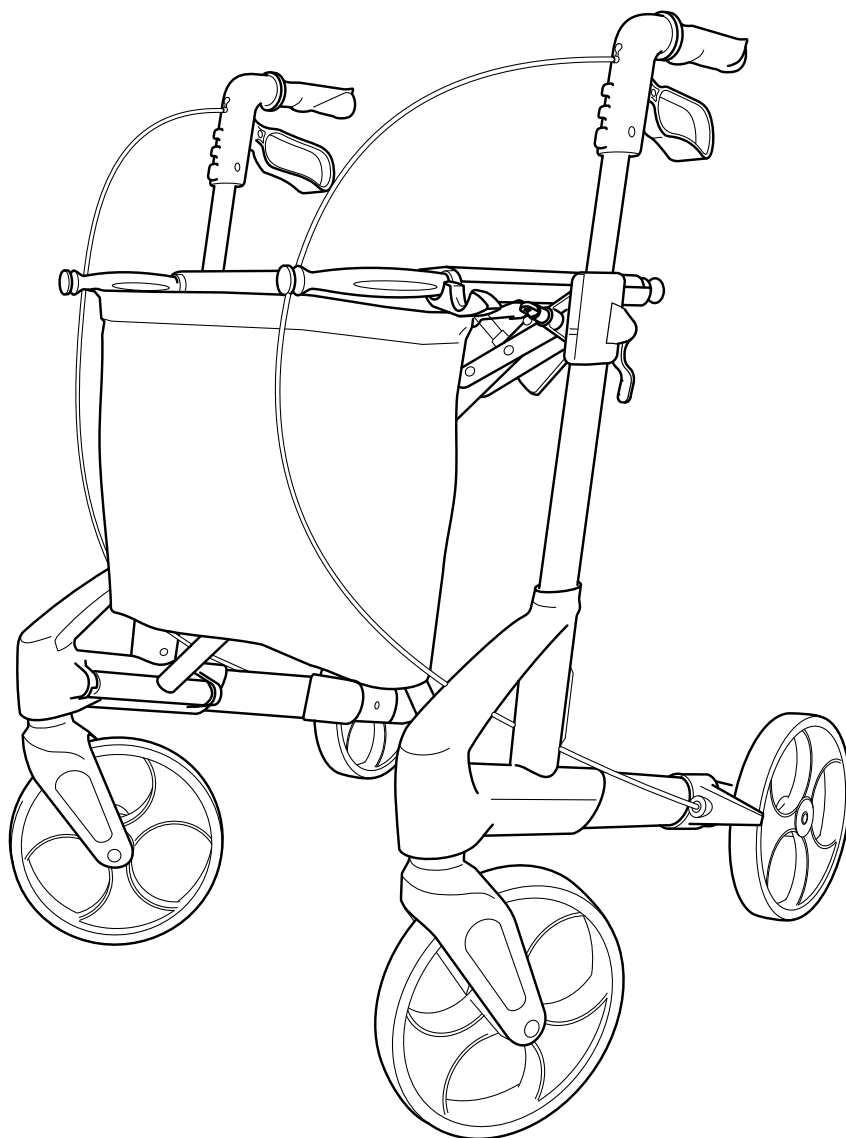


TOPRO

Instructions for use TOPRO Troja Original



topromobility.com

made in Norway



EN

Illustrations
Dimensions
Technical data
Article numbers

NO

Illustrasjoner
Dimensjoner
Tekniske data
Artikkelnummer

DE

Illustrationen
Maße
Technische Daten
Artikelnummern

NL

Illustraties
Dimensies
Technische data
Artikelnummers

SV

Illustrationer
Mått
Teknisk data
Artikelnummer

DA

Illustrationer
Dimensioner
Teknisk data
Artikelnumre

FI

Kuvitukset
Mitat
Tekniset tiedot
Artikkelinumerot

IS

Myndskreytingar
Mál
Tæknigögn
Vörunúmer

FR

Illustrations
Dimensions
Données techniques
Numéros d'article

IT

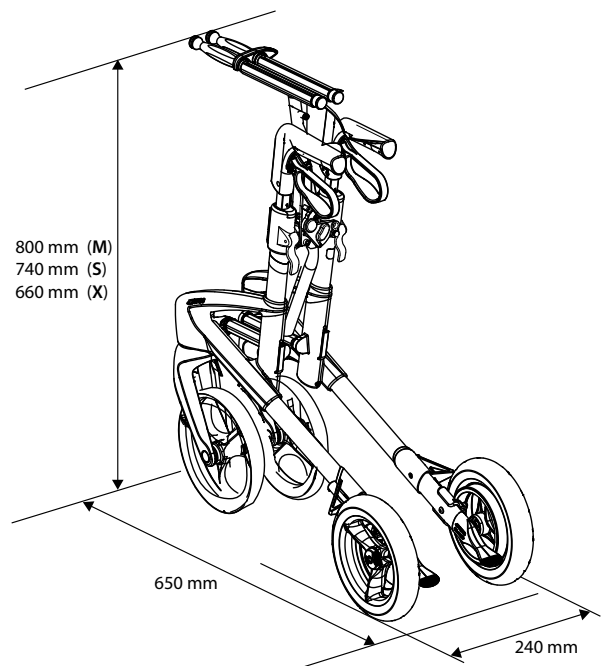
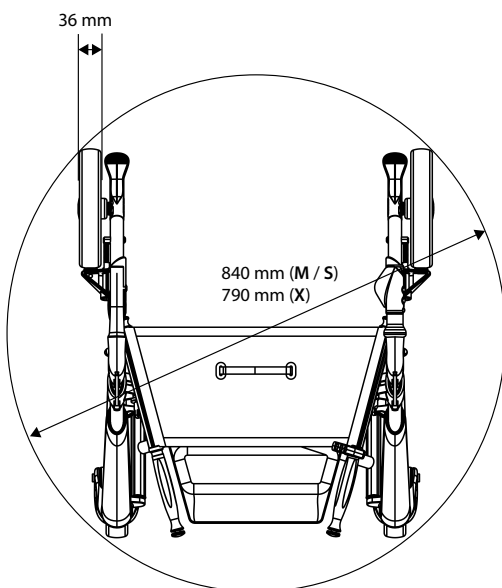
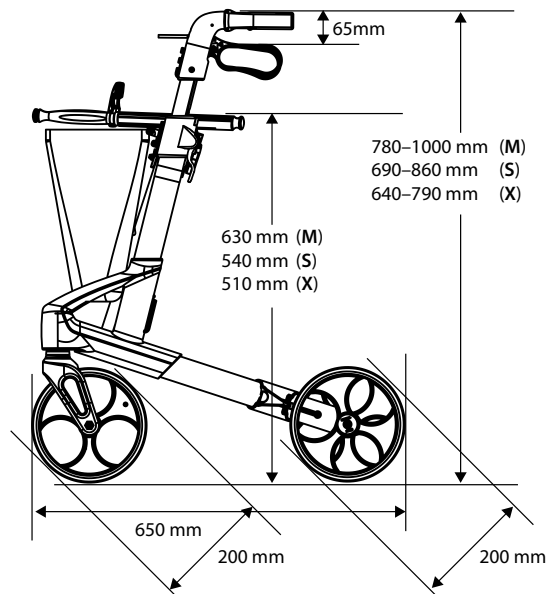
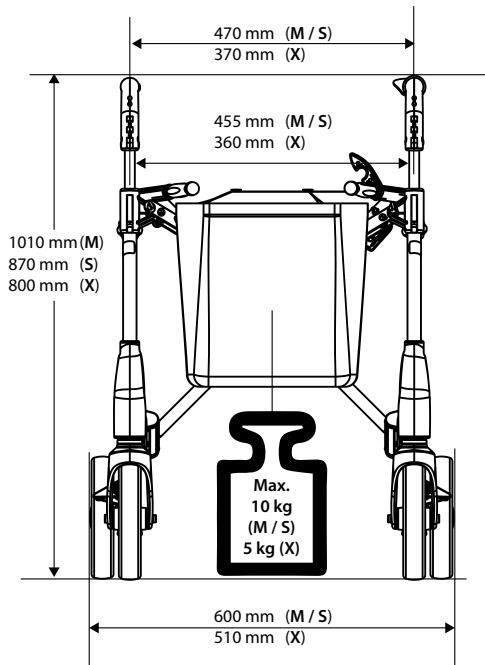
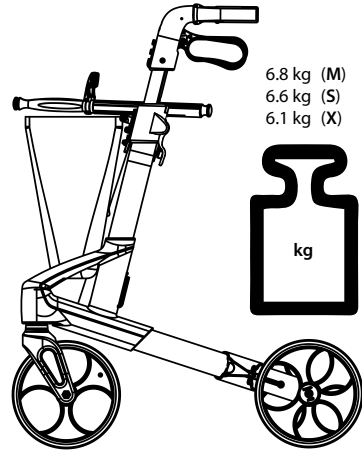
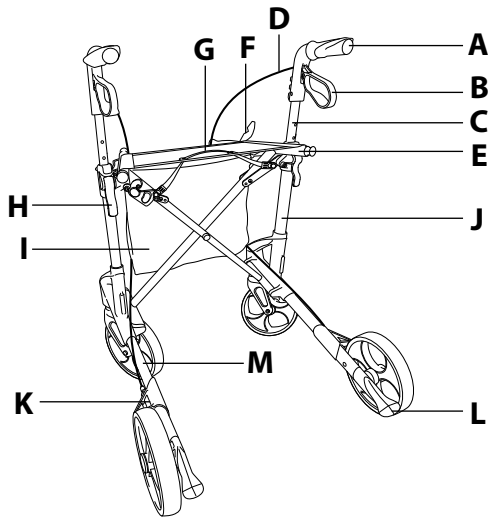
Illustrazioni
Dimensioni
Dati tecnici
Numeri di articolo

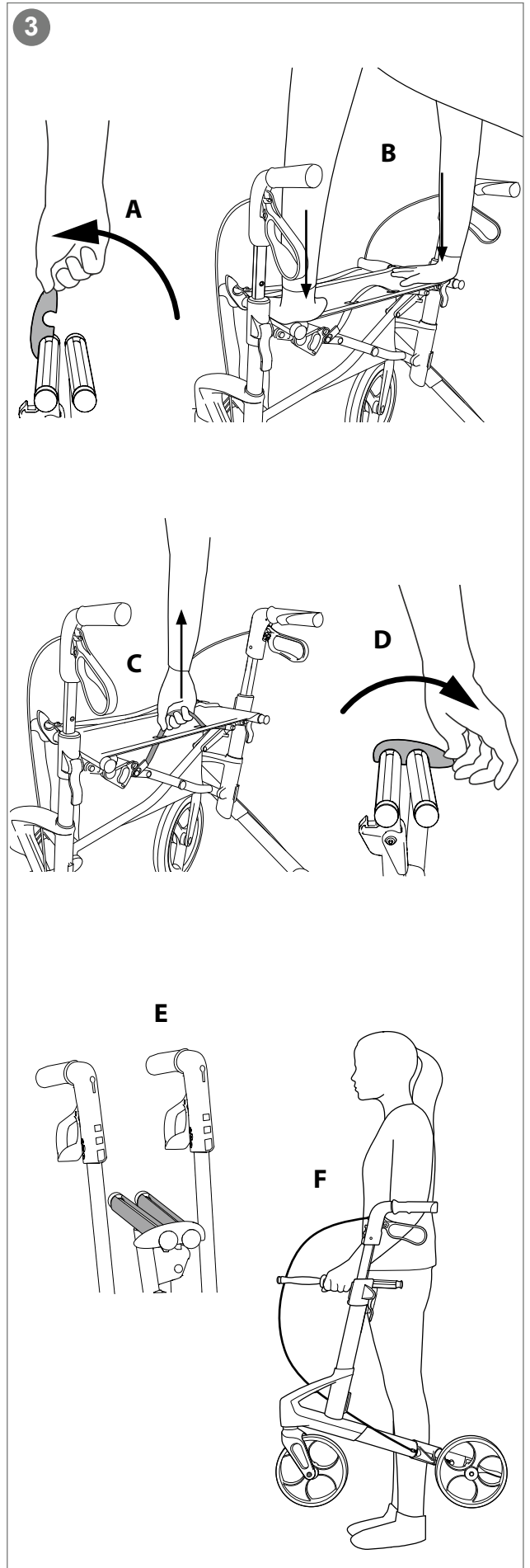
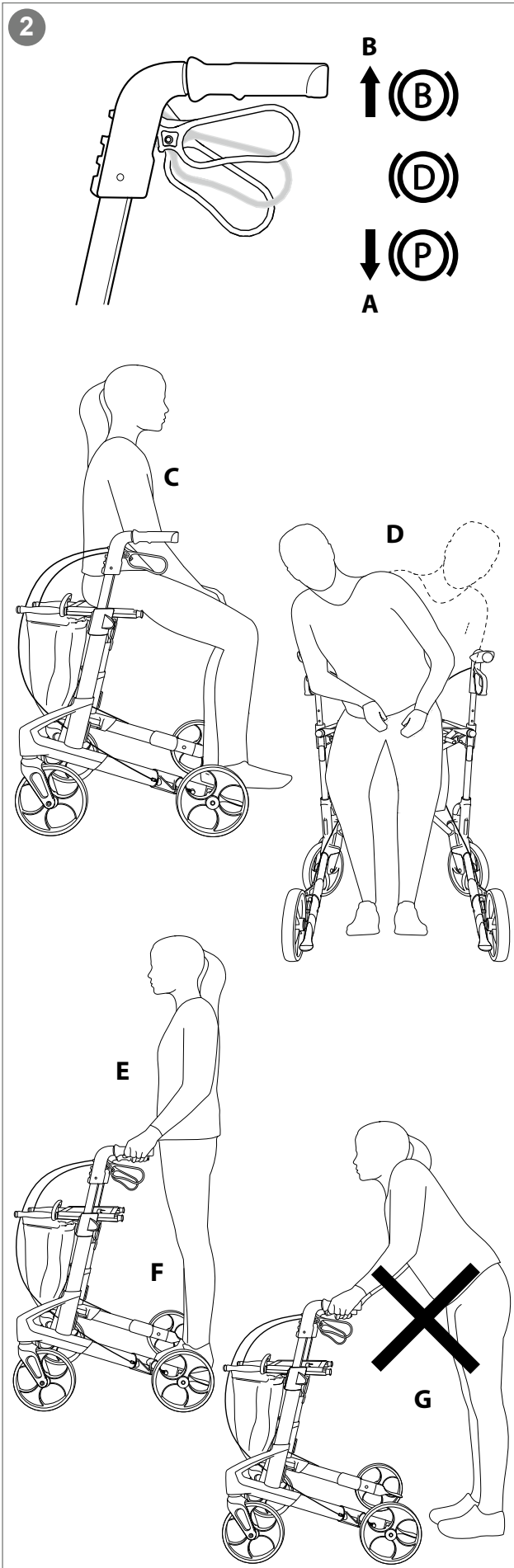
ES

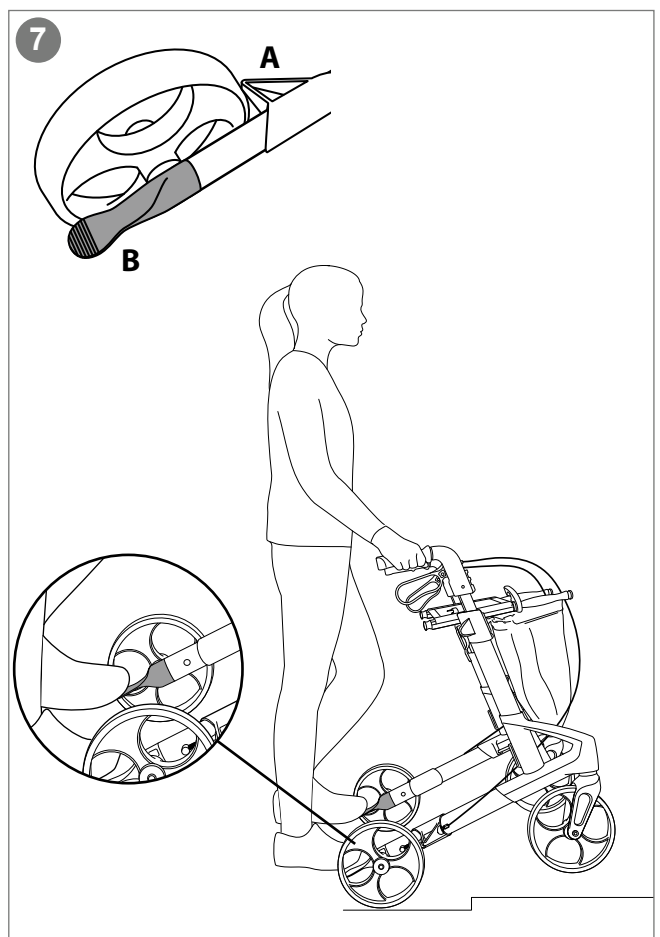
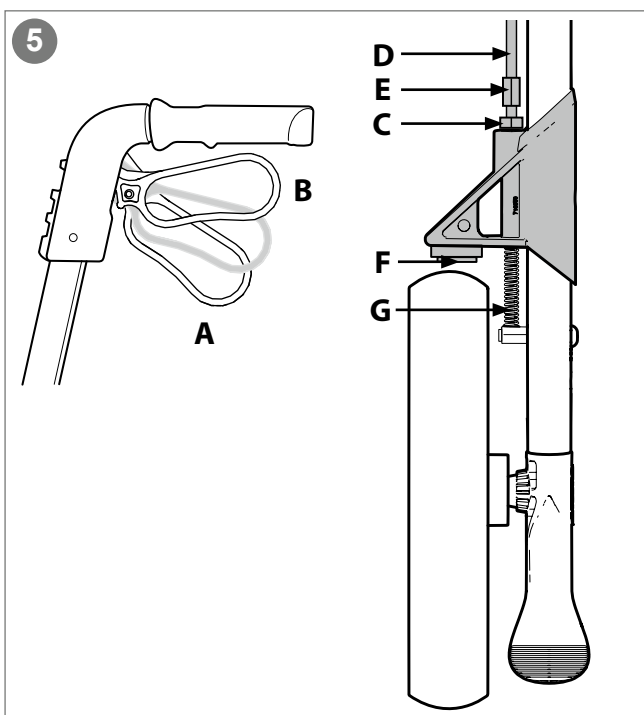
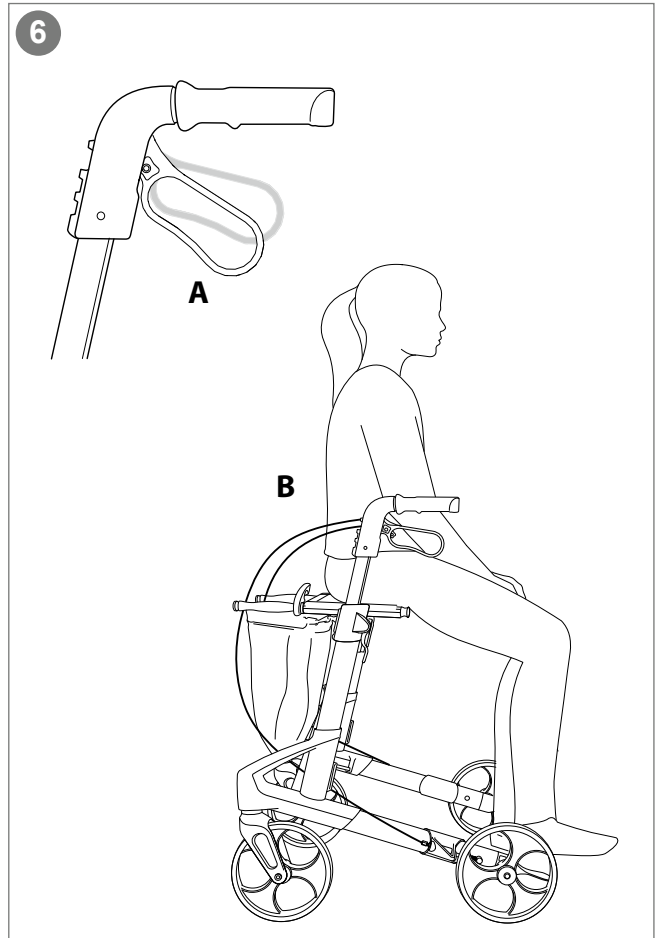
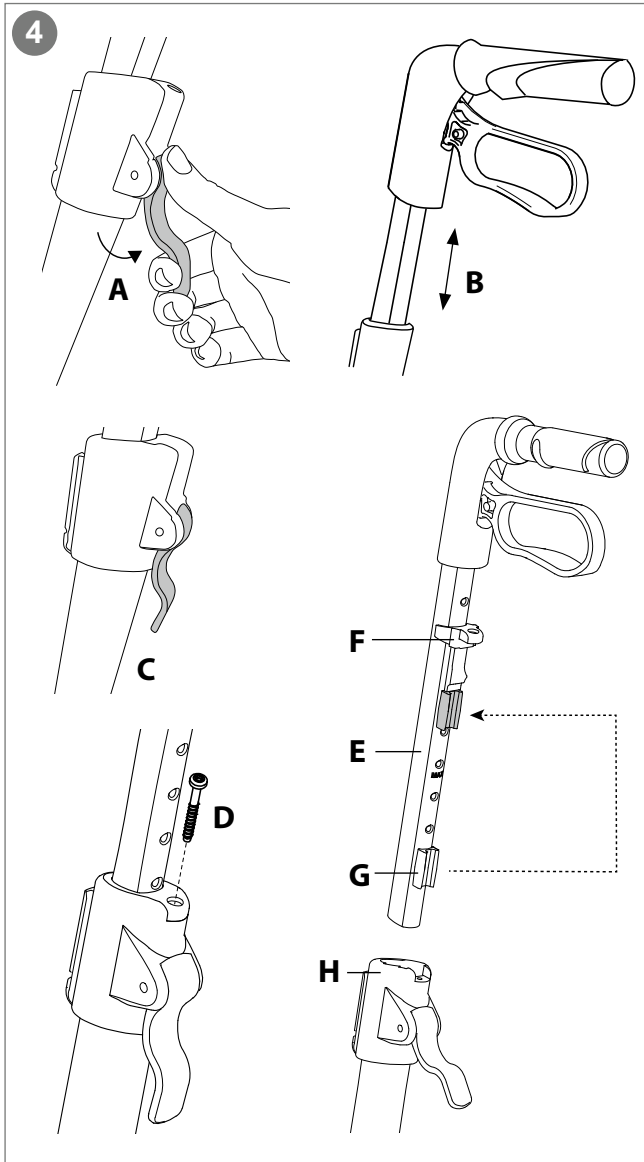
Ilustraciones
Dimensiones
Datos técnicos
Números de artículo

TOPRO Troja Original M	815400
TOPRO Troja Original S	815410
TOPRO Troja Original X	815420

1







8

1 TOPRO Industri AS
Rambekkvegen 1, NO-2816 Gjøvik, Norway

2 Max 165kg

3 Max 650 mm

4 Max 600mm

5 Max 1010mm

6 MD

7 SN 0000284588129
GTIN 7054321100003

8 TOPRO Troja Original (M)
9 Model no. 815400

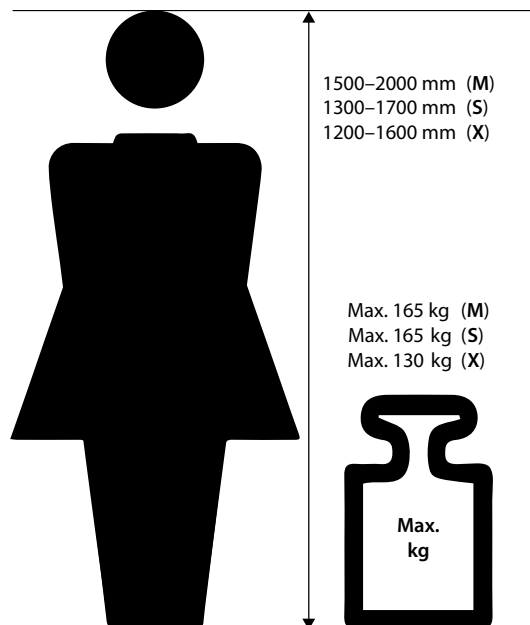
10 2022-05-25

11 SN 0000284588129

12 GTIN 7054321100003

13 CE

14 www.topromobility.com



Congratulations with your choice of a new TOPRO rollator

Every TOPRO rollator is developed, designed and manufactured in Norway. The product conforms to Medical Device Regulation (EU) 2017/745. It is tested and approved according to EN ISO 11199-2:2021. On receipt of the goods, please check your product. If you have any queries, please contact your mobility shop or dealer immediately. If you have problems reading this user manual, an electronic version is available on topromobility.com.

Intended use

The TOPRO Troja Original shall give support to users with reduced balance and/or reduced walking ability. It is designed to be pushed, not pulled. The integrated seat provides an opportunity for the user to rest if needed. The intended user is an adult. Height and weight restrictions apply. *Contraindications: The product is not suitable for persons with low strength in arms, with very poor balance, or with considerable cognitive disabilities. The product is designed and approved for both indoor and outdoor use. Outdoor the rollator is intended to be an aid for walking on roads and paths. It is not suitable in rough and/or steep terrain, neither for stairs.*

To get to know the rollator and learn how to use it properly, training by a professional is recommended.

0 The grey numbered circles in this user manual refers to the numbered information graphic and illustrations inside the cover

1 Get to know your TOPRO product

- | | |
|--|--------------------------------------|
| A Handle | H Lever for height adjustment |
| B Brake lever | I Basket |
| C Handle tube | J Side frame |
| D Brake cable | K Brake block / Edge guard |
| E Seat bars / Carrying handle | L Tilting function |
| F Locking clamp | M Product label |
| G Seat with strap for folding mechanism | |

2 Safety

When folding and unfolding the rollator, be aware so you do not hurt your fingers.

Be aware not to put your fingers in open holes or between stationary parts.

Make sure that the levers for height adjustment are positioned downwards.

When stationary or parked, make sure the parking brakes on both sides are activated (A).

Do not use the rollator on stairs. Be careful when passing kerbs etc.

Check the brakes before use every time, and that the rollator locks in unfolded position.

Do not use the rollator to transport heavy loads or persons.

Be aware that some parts of the rollator might feel hot or cold when exposed to extreme temperatures.

Do not modify the product as this might put your safety at risk and the guarantee will become void.

Before sitting on the seat (C), make sure the parking brakes on both sides are activated (A).

To reduce the risk of falling, do not lean or bend sideways or over the back of the rollator whilst in the seated position (D). Do not tilt the rollator too much sideways, to avoid the risk of falling. For the same reason, bags etc. must never be hung on the handles.

To give the right support and safety, walk straight and make sure the rollator is kept as close to your body as possible (E). Walk between the rear wheels (F), not behind them (G).

Be aware that the rollator may roll faster than you when walking downhill, which may put you in risk of falling. Activate the driving brakes to adjust the speed (B).

Be careful when wearing fluttering skirts or trousers as they could get caught in the wheels, which could lead to falling. Wear sturdy footwear to avoid injuries.

For safety reasons it is prohibited to sit on the rollator during public transportation. Store your rollator safely and make sure the parking brakes on both sides are activated (A).

Do not use the rollator on slippery or icy surfaces.

Keep the rollator away from fire and hot items.

Do not climb on the rollator.

3 Unfolding / Folding

Unfolding: Release the lock clamp positioned at the seat bars (A). Press the seat bars down and outwards. The side frames will slide apart. Press down the seat bars (B). You will hear a clicking sound. The rollator is now locked in its open position.

Folding: Pull the strap on the seat (C) and press the side frames together. Lock the clamp (D) over the seat bars.

Carrying the rollator: The rollator must not be carried by the seat strap or the brake cables. Fold the rollator together as shown on the illustration (E). When folded, carry the rollator by the seat bars (F).

4 Handles / Memory function

Height adjusting: Pull the lever (A) upwards and adjust the handle tube to a suitable height (B). Release the lever and pull the handle tube slightly up and down until you hear a click. Make sure that the lever is positioned downwards (C). Adjust both handles to the same height by comparing the number scale on each side. *It is recommended that the handles are set to the same height as your wrists when your arms are hanging alongside your body.*

Memory Function: Decide on the height of the handles (see number scale). Count visible holes at the back of the handle tubes. Unscrew the screw (D) on top of the fastening piece. Pull the lever upwards (A) and pull the tube (E) out of the frame. The fastening piece (F) will now follow the handle tube. Move the fastening piece (F) so that the number of holes above it equals to the previously counted holes. Fit the red memory chip (G) on the handle tube in the first available hole under the fastening piece (F). Pull the lever upwards (A) and push the handle tube (E) and fastening piece (F) downwards and into the side frame (H). Mount the screw (D) on top of the fastening piece. Pull the lever upwards (A) and pull the handle up until it stops, and then release the lever. From now on, when the handles are in the lowest position, they will stop in the pre-set position when pulled up.

5 Brakes

Make sure the brakes are working before every trip. Each brake lever (A) works on each of the rear wheels.

Do not drive or push the rollator while the parking brakes are activated!

Parking brakes: Push both brake levers (A) downwards until they lock. Both rear wheels are now locked. Squeeze both brake levers upwards to release the parking brakes.

Driving brakes: Pull both brake levers (B) upwards to reduce speed. *Do not use continuously while the rollator is in motion.*

Adjusting / checking: Loosen the nut (C). Tighten the brake cable (D) with the adjustment screw (E). Adjust both brake blocks so the distance to the wheel surface is approximately 1 mm (F) and then tighten the nut (C). Make sure the brakes are not adjusted too tight and pressing hard into the rubber of the wheels when the parking brake is on.

Maintaining: Clean the brake block (F) and the brake spring (G) regularly. The wheels and brakes can be replaced if they are worn out or damaged.

6 Seat

The rollator has a safe and convenient mesh seat, which provides view to the ground while walking. It can easily be wiped off with a cloth if needed. The parking brakes must be activated before using the seat. Push both brake levers downwards until they lock (A). Both rear wheels are now locked. Sit with your back towards the basket (B).

7 Edge guard / Tilt function

Edge guard: The edge guards (A), which are in front of the rear wheels prevent the rear wheels from catching on corners, door frames etc.

Tilt function: To use the tilt function use the front of the foot and press down on the tilt pedal (B), which is beside the rear wheel. This helps to tilt the rollator over thresholds, edges etc. Please note: Be careful when passing kerbs etc.

Basket

The basket holds up to 10 kilos (model M & S) / 5 kilos (model X). It can be removed and washed gently at up to 60 °C.

Transport

The rollator should be transported in the folded and locked position (see *section 3 Unfolding / Folding*). Ensure that the lock clamp is on, so that the rollator cannot unfold unintentionally. Be careful when loading the rollator into a vehicle, giving attention to securing it. The rollator can be laid down by lifting it by the frame tube.

Storage

The rollator should be stored in an upright position. If stored outdoors it must be under a cover to protect it. Do not leave the rollator unattended. Do not put heavy items on top of the rollator during storage.

Cleaning

The rollator can be cleaned using a damp cloth. In case of mud and grime accumulation, a cloth with a mild washing detergent can be used followed by rinsing with lukewarm water. Avoid flushing directly against ball bearings (in wheels and front forks). Do not use abrasives. Dry the rollator using a soft cloth.

Disinfection

Disinfection must only be carried out by authorized personnel. Please contact your local dealer or mobility aid centre. During disinfection sufficient protective equipment must be worn, and the instructions of the disinfectant manufacturer must be followed. The surface of the rollator should be cleaned with a soft cloth or sponge and an approved chemical disinfectant containing 70–80 % ethanol. We advise against disinfectant that contains chlorine or phenol. *The manufacturer cannot be held responsible for any damage or injuries that may occur using harmful disinfectant/measures or disinfection carried out by unauthorized personnel.*

Inspection / Maintenance / Re-use

It is recommended that inspection and maintenance are carried out regularly (frequency is determined by how and how often the rollator is used). Check the following items: Frame, screws, handles, handle tubes, brakes, brake parts, wheels, seat and accessories. This also applies when the rollator is to be prepared for re-use. Please see detailed instructions in this user manual about maintenance of brakes and cleaning/disinfection. The recommended maintenance is not a requirement, and no preventive maintenance is required provided that the rollator is used as intended according to this user manual.

Material / Recycling

The rollator is made of plastic-coated aluminium tubes, plastic couplings and material made of plastic and polyester. There are ball bearings in all wheels and forks. Most rollator parts can be recycled. Dispose the rollator and its packaging according to the applicable regulations in your country. For information, please contact your public authorities.

Warranty

TOPRO Troja Original is guaranteed free for faults and defects for 7 years. Damage caused by incorrect use or parts that are exposed to natural wear and tear (e.g., brake block, brake cable, wheel, basket, seat and handle) are exempt from the 7-year warranty. For repairs during the warranty period, please contact your local mobility shop or dealer. The warranty is void if unauthorised spare parts or accessories have been or are being used on the product. The expected life span of the product is estimated to be 10 years if it is used in the correct manner according to this user manual and its safety and maintenance instructions.

8 Product label

- 1 - Manufacturer
- 2 - Maximum user weight
- 3 - Maximum length of rollator
- 4 - Maximum width / height of rollator
- 5 - Medical Device
- 6 - Consult Instructions for use (blue icon)
- 7 - Intended for indoors and outdoors use
- 8 - Model name
- 9 - Model number
- 10 - Date of manufacture
- 11 - Serial number
- 12 - Global Trade Item Number
- 13 - CE marking (This product conforms to Medical Device Regulation (EU) 2017/745)
- 14 - GS1 DataMatrix

Accessories

	TOPRO Item No.
Back support with padding, 68 cm	815271
Back support with padding, 76 cm	815273
Tray (NB: not for size X)	816028
Anti-slip mat for tray (NB: not for size X)	814059
Tray for size X	815839
Crutch holder, black	814040
Bottle holder, black	814043
LED lamp with clip-on and USB plug	815260
Umbrella with attachment, black	814068
One-handed brake	814026
Guiding handle for the visually impaired	814014
Rear bag with zipper (NB: not for size X)	814046
Transport bag	814042
Name tag	814024
Roll resistance system, pair	814032
Basket for oxygen bottle (only compressed, not liquid)	814009

Accessories mounted on the rollator may influence stability, we therefore advise you to use them with care. Accessories can be ordered separately to enable TOPRO Troja Original to be customised to individual needs. Contact your mobility shop, dealer or TOPRO for an updated overview of available accessories or visit our homepage topromobility.com.

Gratulerer med valget av en ny TOPRO-rullator

Hver TOPRO-rullator er utviklet, designet og produsert i Norge. Produktet er i samsvar med forordningen om medisinsk utstyr (EU) 2017/745. Det er testet og godkjent i henhold til EN ISO 11199-2:2021. Ved mottak av varen, vennligst sjekk produktet. Hvis du har spørsmål, kontakt din forhandler umiddelbart. Hvis du har problemer med å lese denne brukerhåndboken, er en elektronisk versjon tilgjengelig på topromobility.com.

Tiltenkt bruk

TOPRO Troja Original skal gi støtte til brukere med redusert balanse og/eller redusert gangevne. Den er designet for å skyves, ikke trekkes. Det integrerte setet gir brukeren muligheten til å hvile om nødvendig. Den tiltenkte brukeren er voksen. Høyde- og vektbegrensninger gjelder. *Kontraindikasjoner: Produktet er ikke egnet for personer med lav styrke i armene, med svært dårlig balanse eller med betydelige kognitive funksjonshemninger. Produktet er designet og godkjent for både innendørs og utendørs bruk. Utendørs er rullatoren ment å være et hjelpemiddel for å gå på veier og stier. Den er ikke egnet i ulendt og/eller bratt terreng, heller ikke for trapper.*

For å bli kjent med rullatoren og lære å bruke den riktig, anbefales opplæring av en profesjonell.

0 De grå nummererte sirklene i denne brukerhåndboken refererer til den nummererte informasjonsgrafikken og illustrasjonene inne i omslaget

1 Bli kjent med TOPRO-produktet ditt

A	Håndtak	H	Hendel for høydejustering
B	Bremsehendel	I	Nettkurv
C	Håndtaksrør	J	Sideramme
D	Bremsekabel	K	Bremsekloss / Kantbeskyttelse
E	Setestenger / Bærehåndtak	L	Vippefunksjon
F	Låseklemme	M	Produktetikett
G	Sete med utløserstropp for foldemekanisme		

2 Sikkerhet

Når du folder sammen/folder ut rullatoren, må du være oppmerksom slik at du ikke skader fingrene.

Vær oppmerksom på å ikke sette fingrene i åpne hull eller mellom stasjonære deler.

Pass på at hendlene for justering av håndtakenes høyde peker nedover under bruk av produktet.

Når du står stille eller parkerer, må du sørge for at parkeringsbremsene på begge sider er aktivert (A).

Ikke bruk rullatoren i trapper. Vær forsiktig når du passerer terskler etc.

Kontroller bremsene før hver bruk, og sjekk at rullatoren låses i utfoldet stilling.

Ikke bruk rullatoren til å transportere tung last eller personer.

Vær oppmerksom på at noen deler av rullatoren kan føles varme eller kalde når de utsettes for ekstreme temperaturer.

Produktet må ikke modifiseres, da dette kan sette din sikkerhet i fare, og garantien vil bli ugyldig.

Før du setter deg på setet (C), må du kontrollere at parkeringsbremsene på begge sider er aktivert (A).

For å redusere risikoen for fall, må du ikke lene deg/bøye deg sidelengs eller over til baksiden av rullatoren, mens du sitter på setet (D). Rullatoren må heller ikke vippe for mye sidelengs, for å unngå at den velter. Av samme grunn må poser etc. aldri henges på håndtakene.

For å gi riktig støtte og sikkerhet, gå rett og sørg for at rullatoren holdes så nær kroppen din som mulig (E). Gå mellom bakhjulene (F), ikke bak dem (G).

Vær oppmerksom på at rullatoren kan rulle raskere enn deg når du går nedoverbakke, noe som kan sette deg i fare for å falle. Aktiver kjørebremser for å justere hastigheten (B).

Vær forsiktig når du bruker flagrende skjørt eller bukser, da de kan bli sittende fast i hjulene, noe som kan føre til fall. Bruk solid fottøy for å unngå skader.

Av sikkerhetsmessige årsaker er det forbudt å sitte på rullatoren under offentlig transport. Oppbevar rullatoren på en sikker måte, og sørg for at parkeringsbremsene på begge sider er aktivert (A).

Ikke bruk rullatoren på glatte eller isete overflater.

Hold rullatoren unna ild og varme gjenstander.

Ikke klatre på rullatoren.

3 Utfolding / Sammenfolding

Utfolding: Løsne låseklemmen som er plassert på setestengene (A). Trykk setestengene ned og utover. Siderammene glir fra hverandre. Trykk ned setestengene (B). Du vil høre en klikkelyd. Rullatoren er nå låst i åpen stilling.

Sammenfolding: Trekk i stroppen på setet (C) og trykk siderammene sammen. Lås klemmen (D) over setestengene.

Bære rullatoren: Rullatoren må ikke bæres i utløserstroppen eller bremsekablene. Fold rullatoren sammen som vist på illustrasjonen (E). Bær rullatoren etter setestengene (F) når den er sammenfoldet.

4 Håndtak / Minnefunksjon

Høydejustering: Trekk hendelen (A) oppover og juster håndtaksrøret til en passende høyde (B). Slipp hendelen og trekk håndtaksrøret litt opp og ned til du hører et klikk og mekanismen går i lås. Forsikre deg om at hendelen peker nedover (C). Juster begge håndtakene til samme høyde ved å sammenligne tallskalaen på hver side. *Det anbefales at håndtakene er satt i samme høyde som håndleddene når armene henger ved siden av kroppen.*

Minnefunksjon: Bestem høyden på håndtakene (se tallskala). Tell synlige hull på baksiden av håndtaksrørene. Skru løs skruen (D) på toppen av festestykket. Trekk hendelen oppover (A) og trekk røret (E) ut av rammen. Festestykket (F) vil nå følge håndtaksrøret. Flytt festestykket (F) slik at antall hull over det tilsvarer de tidligere telte hullene. Monter det røde hukommelsesstykket (G) på håndtaksrøret i det første tilgjengelige hullet under festestykket (F). Trekk hendelen oppover (A) og skyv håndtaksrøret (E) og festestykket (F) nedover og inn i siderammen (H). Monter skruen (D) på toppen av festestykket. Trekk hendelen oppover (A) og trekk håndtaket opp til det stopper, og slipp deretter hendelen. Fra nå av, når håndtaket er i laveste posisjon, vil det stoppe på forhåndsinnstilt høyde når det trekkes opp.

5 Bremses

Pass på at bremsene fungerer før hver tur. Hver bremsehendel (A) fungerer på hvert av bakhjulene. *Ikke kjør eller skyv rullatoren mens parkeringsbremsene er aktivert.*

Parkeringsbremses: Skyv begge bremsehendlene (A) nedover til de låses. Begge bakhjulene er nå låst. Klem begge bremsehendlene oppover for å deaktivere parkeringsbremsene.

Kjørebremser: Trekk begge bremsehendlene (B) oppover for å redusere hastigheten. *Må ikke brukes kontinuerlig mens rullatoren er i bevegelse.*

Justering/kontroll: Løsne mutteren (C). Stram bremsekabelen (D) med justeringskruen (E). Juster begge bremseklossene slik at avstanden til hjuloverflaten er ca. 1 mm (F), og stram deretter mutteren (C). Pass på at bremsene ikke er justert for stramt og presser hardt inn i gummien på hjulene når parkeringsbremsen er aktivert.

Vedlikehold: Rengjør bremseklossen (F) og bremsefjæren (G) regelmessig. Hjulene og bremsene kan byttes ut hvis de er utslitte eller skadet.

6 Sete

Rullatoren har et trygt og praktisk nettingsete, som gir utsikt til bakken mens du går. Det kan lett tørkes av med en fuktig klut om nødvendig. Parkeringsbremsene må være aktivert før setet tas i bruk. Skyv begge bremsehendlene nedover til de låses (A). Begge bakhjulene er nå låst. Sitt med ryggen mot kurven (B).

7 Kantavviser / Vippefunksjon

Kantavviser: Kantavviser (A), som er foran bakhjulene hindrer bakhjulene i å fange på hjørner, dørkarmen etc.

Vippefunksjon: For å bruke vippefunksjonen, bruk forsiden av foten og trykk ned på vippepedalen (B), som er ved siden av bakhjulet. Dette bidrar til å vippe rullatoren over terskler, kanter etc. Merk: Vær forsiktig når du passerer terskler etc.

Kurv

Kurven rommer opptil 10 kilo (modell M & S) / 5 kilo (modell X). Den kan tas av og vaskes skånsomt ved maksimum 60 °C.

Transport

Rullatoren skal transporteres i sammenfoldet og låst posisjon (se *avsnitt 3 Utfolding / Sammenfolding*). Påse at låseklemmen er på, slik at rullatoren ikke kan utfolde seg utilsiktet. Vær forsiktig når du legger rullatoren inn i et kjøretøy, og pass på at den er forsvarlig sikret. Rullatoren kan legges ned ved å løfte den i rammerøret.

Lagring

Rullatoren bør oppbevares stående. Hvis den oppbevares utendørs, må den helst være under et tak/dekke for å beskytte den. Ikke la rullatoren stå uten tilsyn. Ikke legg tunge gjenstander oppå rullatoren under lagring.

Renhold

Rullatoren kan rengjøres med en fuktig klut. Ved opphopning av gjørme og smuss kan en klut med mildt vaskemiddel brukes etterfulgt av skylning med lunkent vann. Unngå å skylle direkte mot kulelagre (i hjul og forgaffer). Ikke bruk slipemidler. Tørk rullatoren med en myk klut.

Desinfeksjon

Desinfeksjon må kun utføres av autorisert personell. Ta kontakt med din lokale forhandler eller hjelpemiddelsentral. Under desinfeksjon må tilstrekkelig verneutstyr brukes, og instruksjonene fra desinfeksjonsmiddelproduzenten må følges. Overflaten på rullatoren kan rengjøres med en myk klut eller svamp og et godkjent kjemisk desinfeksjonsmiddel som inneholder 70–80% etanol. Vi fraråder desinfeksjonsmiddel som inneholder klor eller fenol. *Produsenten kan ikke holdes ansvarlig for feil eller skader som kan oppstå ved bruk av skadelig desinfeksjonsmiddel/-metoder eller desinfeksjon utført av uautorisert personell.*

Inspeksjon / Vedlikehold / Gjenbruk

Det anbefales at inspeksjon og vedlikehold utføres regelmessig (frekvensen bestemmes av hvordan og hvor ofte rullatoren brukes). Kontroller følgende elementer: Rør, ramme, skruer, håndtak, håndtaksrør, bremses, bremsedeler, hjul, sete og tilbehør. Dette gjelder også når rullatoren skal klargjøres for gjenbruk. Se detaljerte instruksjoner i denne bruksanvisningen om vedlikehold av bremses og rengjøring/desinfeksjon. Det anbefalte vedlikeholdet er ikke et krav, og det er ikke nødvendig med forebyggende vedlikehold, forutsatt at rullatoren brukes som den skal i henhold til denne brukerhåndboken.

Materiale / Resirkulering

Rullatoren er laget av plastbelagte aluminiumsrør, plastkoblinger og materiale laget av plast og polyester. Det er kulelagre i alle hjul og gafler. De fleste rullatordeler kan resirkuleres. Kast rullatoren og emballasjen i henhold til gjeldende forskrifter i ditt land. Hvis du ønsker mer informasjon, vennligst kontakt offentlige myndigheter.

Garanti

TOPRO Troja Original er garantert fri for feil og mangler i 7 år. Skader forårsaket av feil bruk eller deler som utsettes for naturlig slitasje (f.eks. bremsekloss, bremsekabel, hjul, kurv, sete og håndtak) er unntatt fra garantien. For reparasjoner i garantiperioden, ta kontakt med din lokale mobilitetsbutikk eller forhandler. Garantien bortfaller hvis uautoriserte reservedeler eller tilbehør har blitt eller brukes på produktet. Produktets forventede levetid er beregnet til 10 år hvis det brukes på riktig måte i henhold til denne bruksanvisningen og dens sikkerhets- og vedlikeholdsinstruksjoner.

8 Produktetikett

- 1 - Fabrikant
- 2 - Maksimal brukervekt
- 3 - Maksimal lengde på rullator
- 4 - Maksimal bredde/høyde på rullator
- 5 - Medisinsk utstyr
- 6 - Se bruksanvisningen (blått ikon)
- 7 - Beregnet for innendørs og utendørs bruk
- 8 - Navn på modell
- 9 - Modellnummer
- 10 - Produksjonsdato
- 11 - Serienummer
- 12 - Varenummer for global handel
- 13 - CE-merke (Dette produktet er i samsvar med forordningen om medisinsk utstyr (EU) 2017/745)
- 14 - GS1 DataMatrix

Tilbehør

	TOPRO Item No.
Ryggstøtte med polstring, 68 cm	815271
Ryggstøtte med polstring, 76 cm	815273
Brett (NB: ikke for størrelse X)	816028
Antisklimatte for brett (NB: ikke for størrelse X)	814059
Brett for størrelse X	815839
Krykkeholder, svart	814040
Flaskeholder, svart	814043
LED-lykt med klips og USB-kontakt	815260
Paraply med feste, sort	814068
Enhåndsbrems	814026
Styrehåndtak for ledsager til synshemmede	814014
Veske bak, med glidelås (NB: ikke for størrelse X)	814046
Transportbag	814042
Navneskilt	814024
Rullemotstandssystem (RMS), par	814032
Kurv for oksygenflaske (kun komprimert, ikke flytende)	814009

Tilbehør montert på rullatoren kan påvirke stabiliteten, vi anbefaler derfor at du bruker dem med forsiktighet. Tilbehør kan bestilles separat for å gjøre det mulig å tilpasse TOPRO Troja Original til individuelle behov. Kontakt din mobilitetsbutikk, forhandler eller TOPRO for en oppdatert oversikt over tilgjengelig tilbehør eller besøk vår hjemmeside topromobility.com.

Herzlichen Glückwunsch zur Wahl eines neuen TOPRO Rollators

Jeder TOPRO-Rollator wird in Norwegen entwickelt, entworfen und hergestellt. Das Produkt ist konform mit der Medizinprodukteverordnung (EU) 2017/745. Es ist nach EN ISO 11199-2:2021 geprüft und zugelassen. Bitte überprüfen Sie bei Erhalt der Ware Ihr Produkt. Bei Fragen wenden Sie sich bitte umgehend an Ihr Sanitätshaus oder Ihren Händler. Wenn Sie Probleme beim Lesen dieser Gebrauchsanleitung haben, finden Sie eine elektronische Version auf topromobility.com.

Verwendungszweck

Der TOPRO Troja Original soll Benutzer mit eingeschränktem Gleichgewicht und/oder verminderter Gehfähigkeit unterstützen. Er ist so konzipiert, dass er geschoben und nicht gezogen wird. Der integrierte Sitz bietet dem Benutzer die Möglichkeit, sich bei Bedarf auszuruhen. Der vorgesehene Benutzer ist ein Erwachsener. Es gelten Größen- und Gewichtsbeschränkungen. *Kontraindikationen: Das Produkt ist nicht für Personen mit geringer Kraft in den Armen, mit sehr schlechtem Gleichgewicht oder mit erheblichen kognitiven Einschränkungen geeignet. Das Produkt ist sowohl für den Innen- als auch für den Außenbereich konzipiert und zugelassen. Im Freien soll der Rollator eine Hilfe beim Gehen auf Straßen und Wegen sein. Es ist nicht für unwegsames und/oder steiles Gelände geeignet, auch nicht für Treppen.*

Um den Rollator kennenzulernen und zu lernen, wie man ihn richtig benutzt, wird eine Schulung durch einen Fachmann empfohlen.

0 Die grauen nummerierten Kreise in dieser Bedienungsanleitung beziehen sich auf die nummerierten Informationsgrafiken und Abbildungen im Innenteil des Umschlags

1 Lernen Sie Ihr TOPRO Produkt kennen

- | | |
|--|--------------------------------------|
| A Handgriff | H Hebel zur Höhenverstellung |
| B Bremshebel | I Korb |
| C Handgriffrohr | J Seitenrahmen |
| D Bremskabel | K Bremsblock / Kantenabweiser |
| E Sitzstangen / Tragegriff | L Ankipphilfe |
| F Verriegelungsklemme | M Produktetikett |
| G Sitz mit Greifsnur für Klappmechanismus | |

2 Sicherheit

Achten Sie beim Falten und Entfalten des Rollators darauf, dass Sie Ihre Finger nicht verletzen.

Achten Sie darauf, Ihre Finger nicht in offene Löcher oder zwischen feststehende Teile zu stecken.

Stellen Sie sicher, dass der Hebel zur Höhenverstellung der Griffe fest verriegelt ist.

Wenn Sie stehen oder parken, stellen Sie sicher, dass sich die Feststellbremsen auf beiden Seiten in der verriegelten Position befinden (A).

Verwenden Sie den Rollator nicht auf Treppen. Seien Sie vorsichtig, wenn Sie Bordsteine überqueren etc.

Überprüfen Sie die Bremsen vor dem Gebrauch jedes Mal und ob der Rollator in entfalteter Position einrastet.

Verwenden Sie den Rollator nicht zum Transportieren von Personen oder schwerer Lasten.

Beachten Sie, dass sich einige Teile des Rollators heiß oder kalt anfühlen können, wenn sie extremen Temperaturen ausgesetzt sind.

Ändern Sie das Produkt nicht, da dies Ihre Sicherheit gefährden könnte und die Garantie erlischt.

Bevor Sie sich auf den Sitz (C) setzen, stellen Sie sicher, dass sich die Feststellbremsen auf beiden Seiten in der verriegelten Position befinden (A).

Um das Risiko eines Sturzes zu vermeiden, lehnen oder beugen Sie sich nicht

seitlich oder zur Rückseite des Rollators, während Sie sich in sitzender Position befinden. Kippen Sie den Rollator nicht zu sehr zur Seite (D), um das Sturzrisiko zu vermeiden. Aus dem gleichen Grund dürfen Taschen etc. niemals an den Griffen aufgehängt werden.

Gehen Sie gerade und achten Sie darauf, dass der Rollator so nah wie möglich an Ihrem Körper gehalten wird (E), um den richtigen Halt und die Sicherheit zu gewährleisten. Gehen Sie zwischen den Hinterrädern (F), nicht hinter ihnen (G).

Beachten Sie, dass der Rollator beim Bergabgehen schneller rollen kann als Sie gehen, so dass die Gefahr besteht, dass Sie stürzen. Betätigen Sie die Fahrbremsen, um die Geschwindigkeit anzupassen (B).

Seien Sie vorsichtig, wenn Sie flatternde Röcke und Hosen tragen, da sie sich in den Rädern verfangen könnten, was zu Stürzen führen könnte. Tragen Sie festes Schuhwerk, um Verletzungen zu vermeiden.

Aus Sicherheitsgründen ist es verboten, in öffentlichen Verkehrsmitteln auf dem Rollator zu sitzen. Lagern Sie Ihren Rollator sicher und stellen Sie sicher, dass die Feststellbremsen auf beiden Seiten betätigt sind (A).

Verwenden Sie den Rollator nicht auf rutschigen oder vereisten Oberflächen.

Halten Sie den Rollator von Feuer und heißen Gegenständen fern.

Klettern Sie nicht auf den Rollator.

3 Entfalten / Falten

Entfaltung: Lösen Sie die an den Sitzstangen positionierte Verriegelungsklemme (A). Drücken Sie die Sitzstangen nach unten und außen. Die Seitenrahmen gleiten auseinander. Drücken Sie die Sitzstangen (B) nach unten. Sie hören ein Klickgeräusch. Der Rollator ist nun in seiner offenen Position arretiert.

Falten: Ziehen Sie die Greifsnur am Sitz (C) und drücken Sie die Seitenrahmen zusammen. Verriegeln Sie die Klemme (D) über den Sitzstangen.

Tragen des Rollators: Der Rollator darf nicht am an der Greifsnur oder den Bremskabeln getragen werden. Falten Sie den Rollator zusammen, wie auf der Abbildung (E) gezeigt. Tragen Sie den Rollator an den Sitzstangen (F), wenn er zusammengeklappt ist.

4 Handgriffe / Memory-Funktion

Höhenverstellung: Ziehen Sie den Hebel (A) nach oben und stellen Sie das Griffrohr auf eine geeignete Höhe ein (B). Lassen Sie den Hebel los und ziehen Sie das Griffrohr leicht nach oben und unten, bis Sie ein Klicken hören. Achten Sie darauf, dass der Hebel nach unten gerichtet ist (C). Stellen Sie beide Griffe auf dieselbe Höhe ein, indem Sie die Zahlenskala auf beiden Seiten vergleichen. *Es wird empfohlen, die Handgriffe auf die gleiche Höhe wie Ihre Handgelenke einzustellen, wenn Ihre Arme neben Ihrem Körper hängen.*

Memory-Funktion: Bestimmen Sie die Höhe der Griffe (siehe Zahlenskala). Zählen Sie die sichtbaren Löcher auf der Rückseite der Griffrohre. Lösen Sie die Schraube (D) auf der Oberseite des Befestigungsstücks. Ziehen Sie den Hebel (A) nach oben und ziehen Sie das Rohr (E) aus dem Rahmen. Das Befestigungsstück (F) folgt nun dem Griffrohr. Verschieben Sie das Befestigungsteil (F) so, dass die Anzahl der Löcher über ihm mit der Anzahl der zuvor gezählten Löcher übereinstimmt. Stecken Sie den roten Speicherchip (G) am Griffrohr in das erste freie Loch unter dem Befestigungsteil (F). Ziehen Sie den Hebel (A) nach oben und drücken Sie das Griffrohr (E) und das Befestigungsteil (F) nach unten in den Seitenrahmen (H). Montieren Sie die Schraube (D) oben auf dem Befestigungsteil. Ziehen Sie den Hebel (A) nach oben und ziehen Sie den Griff bis zum Anschlag nach oben und lassen Sie dann den Hebel los. Wenn sich die Griffe in der niedrigsten Position befinden, stoppen sie von nun an in der voreingestellten Position, wenn sie hochgezogen werden.

5 Bremsen

Stellen Sie vor jeder Fahrt sicher, dass die Bremsen funktionieren. Jeder Bremshebel (A) funktioniert an jedem der Hinterräder. *Fahren oder schieben Sie den Rollator nicht, während die Feststellbremsen in Gebrauch sind!*

Feststellbremsen: Drücken Sie beide Bremshebel (A) nach unten, bis sie blockieren. Beide Hinterräder sind nun gesperrt. Ziehen Sie beide Bremshebel nach oben, um die Feststellbremsen zu lösen.

Fahrbremsen: Ziehen Sie beide Bremshebel nach oben, um die Geschwindigkeit zu drosseln. *Nicht kontinuierlich verwenden, während der Rollator in Bewegung ist.*

Einstellen / Prüfen: Lösen Sie die Mutter (C). Ziehen Sie das Bremskabel (D) mit der Einstellschraube (E) fest. Stellen Sie beide Bremsklötze so ein, dass der Abstand zur Radoberfläche ca. 1 mm (F) beträgt, und ziehen Sie dann die Mutter (C) fest. Achten Sie darauf, dass die Bremsen nicht zu fest eingestellt sind und stark in den Gummi der Räder drücken, wenn die Feststellbremse betätigt ist.

Wartung: Reinigen Sie den Bremsblock (F) und die Bremsfeder (G) häufig. Die Räder und Bremsen können ausgetauscht werden, wenn sie abgenutzt oder beschädigt sind.

6 Sitz

Der Rollator verfügt über einen sicheren und bequemen Netzsitz, durch den Sie beim Gehen einen freien Blick auf den Boden haben. Er kann bei Bedarf leicht mit einem Tuch abgewischt werden. Die Feststellbremsen müssen betätigt sein, bevor Sie den Sitz benutzen. Drücken Sie beide Bremshebel nach unten, bis sie einrasten (A). Beide Hinterräder sind nun gesperrt. Setzen Sie sich mit dem Rücken zum Korb (B).

7 Kantenschutz / Kippfunktion

Kantenschutz: Die Kantenschutz (A), die sich vor den Hinterrädern befinden, verhindern, dass sich die Hinterräder an Ecken, Türrahmen etc. verfangen.

Kippfunktion: Um die Kippfunktion zu nutzen, verwenden Sie die Vorderseite des Fußes und drücken Sie auf das Kippedal (B), das sich neben dem Hinterrad befindet. Dies hilft, den Rollator über Schwellen, Kanten usw. zu neigen. Bitte beachten Sie: Seien Sie vorsichtig, wenn Sie Bordsteine überqueren etc.

Korb

Der Korb fasst bis zu 10 Kilo (Modell M & S) / 5 Kilo (Modell X). Es kann entfernt und schonend bei bis zu 60 °C gewaschen werden.

Transport

Der Rollator sollte in der gefalteten und verriegelten Position transportiert werden (siehe Absatz Entfalten und Falten). Stellen Sie sicher, dass die Verriegelungsklemme eingerastet ist, damit sich der Rollator nicht unbeabsichtigt entfalten kann. Seien Sie vorsichtig, wenn Sie den Rollator in ein Fahrzeug laden, und achten Sie darauf, ihn zu sichern.

Lagerung

Der Rollator sollte in aufrechter Position gelagert werden. Wenn er im Freien gelagert wird, muss er zum Schutz abgedeckt werden. Lassen Sie Ihren Rollator nicht unbeaufsichtigt. Legen Sie während der Lagerung keine schweren Gegenstände auf den Rollator.

Reinigung

Der Rollator kann mit einem feuchten Tuch gereinigt werden. Bei Schlamm- und Schmutzansammlungen können Sie ein Tuch mit einem milden Reinigungsmittel verwenden und anschließend mit lauwarmem Wasser abspülen. Verwenden Sie keine Hochdruckreiniger und vermeiden Sie, direkt gegen Kugellager (in Rädern und Vordergabeln) zu spülen. Verwenden Sie keine Scheuermittel oder Dampfstrahlgeräte. Trocknen Sie den Rollator mit einem weichen Tuch ab.

Desinfektion

Die Desinfektion darf nur von autorisiertem Personal durchgeführt werden. Bitte wenden Sie sich an Ihren Händler oder Ihr Sanitätshaus vor Ort. Während der Desinfektion ist eine ausreichende Schutzausrüstung zu tragen, und die Anweisungen des Desinfektionsmittelherstellers müssen befolgt werden. Die Oberfläche des Rollators sollte mit einem weichen Tuch oder Schwamm und einem zugelassenen chemischen Desinfektionsmittel, das 70–80 % Ethanol enthält, gereinigt werden. Wir raten von chlor- und phenolhaltigen Desinfektionsmitteln ab. Verwenden Sie keine Hitzedesinfektion. *Der Hersteller kann nicht für Schäden oder Verletzungen haftbar gemacht werden, die durch schädliche Desinfektionsmittel/-maßnahmen oder Desinfektion durch unbefugtes Personal verursacht wurden.*

Inspektion / Wartung / Wiederverwendung

Es wird empfohlen, regelmäßig eine Inspektion und Wartung durchzuführen (die Häufigkeit hängt davon ab, wie und wie oft der Rollator verwendet wird). Überprüfen Sie die folgenden Punkte: Rahmen, Schrauben, Handgriffe, Handgriffrohre, Bremsen, Bremsteile, Räder, Sitz und Zubehör. Dies gilt auch, wenn der Rollator für die Wiederverwendung vorbereitet werden soll. Bitte beachten Sie die detaillierten Anweisungen in dieser Bedienungsanleitung zur Wartung der Bremsen und zur Reinigung / Desinfektion. Die empfohlene Wartung ist keine Anforderung und es ist keine vorbeugende Wartung erforderlich, sofern der Rollator gemäß dieser Gebrauchsanweisung bestimmungsgemäß verwendet wird.

Material / Recycling

Der Rollator besteht aus kunststoffbeschichteten Aluminiumrohren, Kunststoffkupplungen und Material aus Kunststoff und Polyester. In allen Rädern und Gabeln befinden sich Kugellager. Die meisten Rollatorteile können recycelt werden. Entsorgen Sie den Rollator und seine Verpackung gemäß den geltenden Vorschriften in Ihrem Land. Für weitere Informationen wenden Sie sich bitte an Ihre Behörden.

Garantie

Für den TOPRO Troja Original wird eine Garantie von 7 Jahren auf Fehler- und Mängelfreiheit gewährt. Schäden durch unsachgemäße Verwendung oder Teile, die natürlichem Verschleiß ausgesetzt sind (z.B. Bremsblock, Bremskabel, Rad, Korb, Sitz und Griff) sind von der 7-Jahres-Garantie ausgenommen. Für Reparaturen während der Garantiezeit wenden Sie sich bitte an Ihr örtliches Sanitätshaus oder Ihren Händler. Die Garantie erlischt, wenn nicht autorisierte Ersatzteile und Zubehörteile auf dem Produkt verwendet wurden oder werden. Die erwartete Lebensdauer des Produkts wird auf 10 Jahre geschätzt, wenn es gemäß dieser Gebrauchsanweisung und ihren Sicherheits- und Wartungsanweisungen korrekt verwendet wird.

8 Produktetikett

- 1 - Hersteller
- 2 - Maximales Benutzergewicht
- 3 - Maximale Länge des Rollators
- 4 - Maximale Breite / Höhe des Rollators
- 5 - Medizinisches Gerät
- 6 - Siehe Gebrauchsanweisung (blaues Symbol auf neuem Etikett)
- 7 - Für den Innen- und Außenbereich bestimmt
- 8 - Modellbezeichnung
- 9 - Modellnummer
- 10 - Herstellungsdatum
- 11 - Seriennummer
- 12 - Globale Handelsartikelnummer (GTIN)
- 13 - CE-Kennzeichnung (Dieses Produkt ist konform mit der Medizinprodukteverordnung (EU) 2017/745)
- 14 - GS1 DataMatrix

Zubehör

	TOPRO Artikel No.
Rückengurt mit Polsterung, 68 cm	815271
Rückengurt mit Polsterung, 76 cm	815273
Tablett (Achtung: nicht für Größe X)	814728
Antirutschmatte für Tablett (NB: nicht für Größe X)	814059
Stockhalter, schwarz	814040
Getränkhalter, schwarz	814043
LED-Lampe mit Clip und USB-Stecker	815260
Schirm mit Halterung, schwarz	814068
Einhand-Simultanbremse	814026
Handgriff für Begleitperson	814014
Gepäcktasche mit Reißverschluss (NB: nicht für Größe X)	814046
Namensschild	814024
Rollwiderstandssystem, Paar	814032
Transporttasche	814042
Netzkorb für Sauerstoffflasche (nur komprimiert, nicht flüssig)	814009

Zubehör, das auf dem Rollator montiert ist, kann die Stabilität beeinflussen, wir empfehlen Ihnen daher, es mit Vorsicht zu verwenden. Zubehör kann separat bestellt werden, um den TOPRO Troja Original an individuelle Bedürfnisse anzupassen. Kontaktieren Sie Ihren Sanitätshaus, Händler oder TOPRO für eine aktualisierte Übersicht über verfügbares Zubehör oder besuchen Sie unsere Homepage topromobility.com.

Gefeliciteerd met uw keuze voor een nieuwe TOPRO-rollator

Elk TOPRO-rollator wordt ontwikkeld, ontworpen en geproduceerd in Noorwegen. Het product voldoet aan de Medical Device Regulation (EU) 2017/745. Het is getest en goedgekeurd volgens EN ISO 11199-2:2021. Controleer bij ontvangst van de goederen uw product. Als u vragen heeft, neem dan onmiddellijk contact op met uw mobiliteitswinkel of dealer. Als u problemen ondervindt bij het lezen van deze gebruikershandleiding, is een digitale versie beschikbaar op topromobility.com.

Beoogd gebruik

De TOPRO Troja Original biedt ondersteuning aan gebruikers met een verminderd evenwicht en/of verminderd loopvermogen. Het is ontworpen om te worden geduwd, niet getrokken. Het geïntegreerde zitje biedt de gebruiker de mogelijkheid om te rusten indien nodig. De beoogde gebruiker is een volwassene. Er gelden lengte- en gewichtsbependingen. *Contra-indicaties: Het product is niet geschikt voor personen met een weinig kracht in de armen, met een zeer slechte balans of met aanzienlijke cognitieve beperkingen. Het product is ontworpen en goedgekeurd voor zowel binnen- als buitengebruik. Buiten is de rollator bedoeld als hulpmiddel bij het lopen op wegen en paden. Het is niet geschikt in ruw en/of steil terrein, noch voor trappen.*

Om de rollator te leren kennen en te leren hoe deze op de juiste manier te gebruiken, wordt training door een professional aanbevolen.

0 De grijs genummerde cirkels in deze gebruikershandleiding verwijzen naar de genummerde informatieafbeelding en illustraties in de omslag

1 Maak kennis met uw TOPRO-product

A	Handvat	H	Hendel voor hoogteverstelling
B	Remhendel	I	Netje
C	Handvatbuis	J	Zijframe
D	Remkabel	K	Remblok / Stootrand
E	Bevestigingsstang voor zitje/netje	L	Drempelhulp
F	Fixatieklem	M	Productlabel
G	Zitje		

2 Veiligheid

Let er bij het opvouwen/uitvouwen van de rollator op dat u uw vingers niet bezeert.

Let op dat u uw vingers niet in open gaten of tussen stilstaande delen steekt.

Zorg ervoor dat de hendel om de hoogte van de handgrepen aan te passen stevig vergrendeld is.

Gebruik bij stilstaan of geparkeerd altijd de parkeerrem aan beide zijden (A).

Gebruik de rollator niet op trappen. Wees voorzichtig bij het overbruggen van drempels etc.

Controleer de remmen voor elk gebruik en controleer of de rollator in uitgevouwen positie is vergrendeld.

Gebruik de rollator niet om zware lasten of personen te vervoeren.

Houd er rekening mee dat sommige delen van de rollator warm of koud kunnen aanvoelen bij blootstelling aan extreme temperaturen.

Wijzig het product niet, omdat dit uw veiligheid in gevaar kan brengen en de garantie hierbij vervalt.

Voordat u op het zitje (C) gaat zitten, moet u ervoor zorgen dat de parkeerremmen aan beide zijden in vergrendelde stand (A) staan.

Om het risico van vallen te voorkomen, mag u niet zijwaarts of voorover leunen of buigen naar de achterkant van de rollator

terwijl u in de zittende positie zit. Kantel de rollator niet te veel zijwaarts (D), om het risico op vallen te voorkomen. Om dezelfde reden mogen tassen e.d. nooit aan de handvatten worden gehangen.

Om de juiste ondersteuning en veiligheid te geven, loopt u rechtop en zorgt u ervoor dat de rollator zo dicht mogelijk bij uw lichaam wordt gehouden (E). Loop tussen de achterwielen (F), niet erachter (G).

Wees ervan bewust dat de rollator bergafwaarts sneller dan u kan gaan, waardoor u het risico loopt te vallen. Activeer de remmen om de snelheid (B) aan te passen.

Zeer lange of wijde kleding kan klem raken in de wielen van de rollator, wat kan leiden tot vallen. Het wordt daarom afgeraden zulke kleding te dragen tijdens het gebruik van de rollator. Draag stevig schoeisel om blessures te voorkomen.

Wanneer u gebruik maakt van het openbaar vervoer wordt het ernstig afgeraden om op het zitje van de rollator te gaan zitten. Zet uw rollator vast door de parkeerremmen aan beide zijden te activeren (A).

Gebruik de rollator niet op gladde of ijzige oppervlakten.

Houd de rollator uit de buurt van vuur en hete voorwerpen.

Klim niet op de rollator.

3 Uitvouwen / Vouwen

Uitvouwen: Maak de fixatieklem los die zich op de bevestigingsstangen voor het zitje/netje (A) bevindt. Druk de bevestigingsstangen naar beneden en naar buiten. De zijframes schuiven uit elkaar. Druk de bevestigingsstangen (B) naar beneden. U hoort een klikkend geluid. De rollator zit nu vast in zijn open stand.

Vouwen: Trek aan het trekkoord op de zitting (C) en druk de zijframes tegen elkaar. Vergrendel de fixatieklem (D) over de bevestigingsstangen.

Het dragen van de rollator: De rollator mag niet worden gedragen bij de zitting of de remkabels. Vouw de rollator samen zoals weergegeven op de afbeelding (E). Draag de rollator bij de bevestigingsstangen voor het zitje/netje (F) wanneer deze zijn neergeklapt.

4 Handgrepen / Geheugenfunctie

Hoogteverstelling: Trek de hendel (A) omhoog en stel de handgriepbuis in op een geschikte hoogte (B). Laat de hendel los en beweeg de handgriepbuis lichtjes op en neer totdat u een klik hoort. Zorg ervoor dat de hendel naar beneden wijst (C). Stel beide handgrepen in op dezelfde hoogte door de schaalverdeling aan beide zijden te vergelijken. *Het wordt aanbevolen dat de handgrepen op dezelfde hoogte zijn ingesteld als uw polsen wanneer uw armen naast uw lichaam hangen.*

Geheugenfunctie: Bepaal de gewenste hoogte van de handgrepen (zie schaalverdeling). Tel de zichtbare gaten aan de achterkant van de handgriepbuizen. Schroef de schroef (D) los bovenop het bevestigingsstuk. Trek de hendel omhoog (A) en trek de buis (E) uit het frame. Het bevestigingsstuk (F) volgt nu de handgriepbuis. Verplaats het bevestigingsstuk (F) zodat het aantal gaten erboven gelijk is aan het eerder getelde aantal. Plaats de rode geheugenchip (G) in het eerste beschikbare gat onder het bevestigingsstuk (F). Trek de hendel omhoog (A) en duw de handgriepbuis (E) en het bevestigingsstuk (F) naar beneden en in het zijframe (H). Bevestig de schroef (D) opnieuw bovenop het bevestigingsstuk. Trek de hendel omhoog (A) en trek de handgriep omhoog totdat deze stopt, en laat vervolgens de hendel los. Voortaan zullen de handgrepen, wanneer ze zich in de laagste positie bevinden, stoppen in de vooraf ingestelde positie wanneer ze omhoog worden getrokken.

5 Remmen

Zorg ervoor dat de remmen werken voor elke gebruik van de rollator. Elk achterwiel werkt met zijn eigen remhendel (A). *Rijd of duw de rollator niet terwijl de parkeerremmen in gebruik zijn!*

Parkeerremmen: Duw beide remhendels (A) naar beneden totdat ze vergrendelen. Beide achterwielen zijn nu vergrendeld. Knijp beide remhendels omhoog om de parkeerremmen los te laten.

Rijdende remmen: Trek beide remhendels (B) omhoog om de snelheid te verminderen. *Niet continu gebruiken terwijl de rollator in beweging is.*

Afstellen / controleren: Maak de moer los (C). Draai de remkabel (D) vast met de stelschroef (E). Stel beide remblokken zo in dat de afstand tot het wieloppervlak ongeveer 1 mm (F) is en draai vervolgens de moer aan (C). Zorg ervoor dat de remmen niet te strak worden afgesteld en hard in het rubber van de wielen drukken als de parkeerrem erop staat.

Onderhoud: Reinig het remblok (F) en de remveer (G) regelmatig. De wielen en remmen kunnen worden vervangen als ze versleten of beschadigd zijn.

6 Zitting

De rollator heeft een veilige en handige doorkijkzitting, waardoor u tijdens het lopen zicht op de grond heeft. Het zitje kan gemakkelijk worden gereinigd met een doek indien nodig. De parkeerremmen moeten erop staan voordat u op het zitje gaat zitten. Duw beide remhendels naar beneden totdat ze vergrendelen (A). Beide achterwielen zijn nu vergrendeld. Ga met uw rug naar het netje (B) zitten.

7 Stootrand / Drempelhulpfunctie

Stootrand: De stootrand (A), die zich voor de achterwielen bevinden, bieden bescherming tegen uitstekende randen, deurstijlen enz.

Drempelhulp functie: Om de drempelhulp functie te gebruiken, gebruikt u de voorkant van de voet en drukt u op de drempelhulp (B), die zich naast het achterwiel bevindt. Deze helpt u om met de rollator drempels, stoepanden etc. te trotseren. Let op: Wees voorzichtig bij het overbruggen van drempels etc.

Netje

Het netje is belastbaar tot maximaal 10 kilo (model M&S) / 5 kilo (model X). Het kan worden verwijderd en voorzichtig worden gewassen tot 60 °C.

Vervoer

De rollator moet in de gevouwen en vergrendelde positie worden vervoerd (zie paragraaf 3 Uitvouwen / Vouwen). Zorg ervoor dat de fixatieklem vast zit, zodat de rollator niet onverwachts kan uitvouwen. Wees voorzichtig bij het laden van de rollator in een voertuig en let erop dat de rollator goed vergrendeld is.

Opslag

De rollator moet rechtop worden opgeborgen. Als het buiten wordt opgeslagen, moet het onder een afdekking zijn om het te beschermen. Laat uw rollator niet onbeheerd achter. Leg geen zware voorwerpen op de rollator tijdens het opbergen.

Reiniging

De rollator kan worden gereinigd met een vochtige doek. In geval van modder- en vuilophoping kan een doek met een mild wasmiddel worden gebruikt, gevolgd door spoelen met lauw water. Gebruik geen hogedrukreinigers en vermijd spoelen direct tegen kogellagers (in wielen en voorvorken). Gebruik geen schuurmiddelen of stoomwas. Droog de rollator met een zachte doek.

Desinfectie

Desinfectie mag alleen worden uitgevoerd door bevoegd personeel. Neem contact op met uw lokale dealer of mobiliteitshulpcentrum. Tijdens de desinfectie moeten voldoende beschermingsmiddelen worden gedragen en moeten de instructies van de fabrikant van het ontsmettingsmiddel worden opgevolgd. Het oppervlak van de rollator moet worden gereinigd met een zachte doek of spons en een goedgekeurd chemisch ontsmettingsmiddel dat 70–80 % ethanol bevat. Wij raden af om een desinfectiemiddel dat chloor of fenol bevat af te keuren. Gebruik geen warmtedesinfectie. *De fabrikant kan niet verantwoordelijk worden gehouden voor eventuele schade of verwondingen die zijn opgetreden met behulp van schadelijk desinfectiemiddel of desinfectie uitgevoerd door onbevoegd personeel.*

Inspectie / Onderhoud / Hergebruik

Het wordt aanbevolen om regelmatig inspectie en onderhoud uit te voeren (frequentie wordt bepaald door hoe en hoe vaak de rollator wordt gebruikt). Controleer de volgende items: Frame, schroeven, handgrepen, handvatbuizen, remmen, remonderdelen, wielen, zitje en accessoires. Dit geldt ook wanneer de rollator klaargemaakt moet worden voor hergebruik. Zie de gedetailleerde instructies in deze gebruikershandleiding over onderhoud van remmen en reiniging/desinfectie. Het aanbevolen onderhoud is geen vereiste en er is geen preventief onderhoud vereist, op voorwaarde dat de rollator wordt gebruikt zoals bedoeld volgens deze gebruikershandleiding.

Materiaal / Recycling

De rollator is gemaakt van aluminium buizen met een kunststof coating, kunststof koppelingen en materiaal van plastic en polyester. Er bevinden zich kogellagers in alle wielen en vorken. De meeste rollatoronderdelen kunnen worden gerecycled. Voer de rollator en de verpakking af volgens de geldende voorschriften in uw land. Neem voor meer informatie contact op met uw gemeente.

Garantie

TOPRO Troja Original is gegarandeerd vrij van fouten en defecten gedurende 7 jaar. Schade veroorzaakt door onjuist gebruik of onderdelen die zijn blootgesteld aan natuurlijke slijtage (bijv. remblok, remkabel, wiel, netje, zitje en handvat) zijn vrijgesteld van de garantie van 7 jaar. Neem voor reparaties tijdens de garantieperiode contact op met uw lokale mobiliteitswinkel of dealer. De garantie vervalt als er ongeautoriseerde reserveonderdelen en accessoires op het product zijn of worden gebruikt. De verwachte levensduur van het product wordt geschat op 10 jaar als het op de juiste manier wordt gebruikt volgens deze gebruikershandleiding en de veiligheids- en onderhoudsinstructies.

8 Productlabel

- 1 - Fabrikant
- 2 - Maximaal gebruikersgewicht
- 3 - Maximale lengte van de rollator
- 4 - Maximale breedte / hoogte van de rollator
- 5 - Medisch hulpmiddel
- 6 - Raadpleeg de gebruiksaanwijzing (blauw pictogram op het nieuwe label)
- 7 - Bedoeld voor gebruik binnen en buiten
- 8 - Modelnaam
- 9 - Modelnummer
- 10 - Datum van vervaardiging
- 11 - Serienummer
- 12 - Nummer van de wereldhandelspost
- 13 - CE-markering (Dit product voldoet aan richtlijn medische hulpmiddelen (EU) 2017/745)
- 14 - GS1 DataMatrix

Accessoires

	TOPRO Item No.
Rugsteun inclusief polstering, 68 cm	815271
Rugsteun inclusief polstering, 76 cm	815273
Dienblad (NB: niet voor maat X)	814728
Antislipmat voor dienblad (NB: niet voor maat X)	814059
Stokhouder, zwart	814040
Bidonhouder, zwart	814043
LED-lampje met klip en USB-contact	815260
Paraplu met bevestiging, zwart	814068
Eenzijdige beremming	814026
Duwhandgreep voor begeleider	814014
Tas met rits (NB: niet voor maat X)	814046
Naamplaatje	814024
Rolweerstandssysteem, paar	814032
Transporttas	814042
Zuurstoffleshouder (alleen samengeperst, niet vloeibaar)	814009

Accessoires gemonteerd op de rollator kunnen de stabiliteit beïnvloeden, daarom raden wij u aan om ze met zorg te gebruiken. Accessoires kunnen afzonderlijk worden besteld om TOPRO Troja Original aan te passen aan individuele behoeften. Neem contact op met uw mobiliteitswinkel, dealer of TOPRO voor een bijgewerkt overzicht van beschikbare accessoires of bezoek onze homepage topromobility.com.

Grattis till ditt val av ny TOPRO rollator

Varje TOPRO-rollator är utvecklad, designad och tillverkad i Norge. Produkten uppfyller förordningen om medicintekniska produkter (EU) 2017/745. Den är testad och godkänd enligt EN ISO 11199-2:2021. Vid mottagandet av varorna, vänligen kontrollera din produkt. Om du har några frågor, vänligen kontakta din hjälpmedelscentral eller återförsäljare omedelbart. Om du har problem med att läsa den här bruksanvisningen finns en elektronisk version tillgänglig på topromobility.com.

Avsedd användning

TOPRO Troja Original ska ge stöd till användare med nedsatt balans och/eller nedsatt gångförmåga. Den är utformad för att skjutas framåt, inte dras. Den integrerade sitsen ger användaren möjlighet att vila vid behov. Rollatorn är avsedd för vuxna. Höjd- och viktbegränsningar gäller. *Kontraindikationer: Produkten är inte lämplig för personer med svag styrka i armar, med mycket dålig balans eller med betydande kognitiva funktionshinder. Produkten är konstruerad och godkänd för både inomhus- och utomhusbruk. Utomhus är rollatorn avsedd att vara ett hjälpmedel för promenader på vägar och stigar. Den är inte lämplig i grov och/eller brant terräng, inte heller i trappor.*

För att lära känna rollatorn och lära sig att använda den på rätt sätt rekommenderas en introduktion av din fackhandlare/hjälpmiddelscentral.

0 De grå numrerade cirkelarna i denna bruksanvisning refererar till numrerade illustrationer på insidan av omslaget

1 Lär känna din TOPRO-produkt

- | | |
|--|---------------------------------|
| A Handtag | H Spak för höjdjustering |
| B Bromshandtag | I Korg |
| C Handtagsrör | J Sidoram |
| D Bromsvajer | K Bromskloss / Kantskydd |
| E Sitsstänger / Bärhandtag | L Steghjälp |
| F Låsklämma | M Produktetikett |
| G Sits med rem för fällmekanism | |

2 Säkerhet

När du faller ut/ihop rollatorn, var försiktig så att du inte klämmer fingrarna.

Var försiktig så att du inte fastnar med fingrarna i öppna hål eller mellan stationära delar.

Se till att spaken för justering av handtagens höjd är korrekt åtdragen.

Använd alltid parkeringsbromsen (A) på båda sidor, vid stopp eller parkering.

Använd inte rollatorn i trappor. Var försiktig när du passerar trottoarkanter och liknande.

Kontrollera bromsarna före varje användning och att rollatorn låser sig i utfällt läge.

Använd inte rollatorn för att transportera tung last eller personer.

Var medveten om att vissa delar av rollatorn kan kännas varma eller kalla när de utsätts för extrema temperaturer.

Modifiera inte produkten eftersom detta kan riskera din säkerhet och garantin blir ogiltig.

Innan du sitter på sitsen (C), se till att parkeringsbromsarna på båda sidor är i låst läge (A).

För att undvika risk för fall, luta eller böj dig inte i sidled eller bakåt medan du sitter.

Luta inte rollatorn för mycket i sidled (D) för att undvika risk för fall. Av samma anledning får aldrig påsar etc. hängas på handtagen.

För rätt stöd och säkerhet, gå upprätt och se till att rollatorn hålls så nära kroppen som möjligt (E). Gå mellan bakhjulen (F), inte bakom dem (G).

Var medveten om att rollatorn kan rulla snabbare än du när du går i nedförsbacke, vilket kan göra att du riskerar att falla. Aktivera färdbrömsen för att justera hastigheten (B).

Var försiktig när du bär fladdrande kjolar eller byxor eftersom de kan fastna i hjulen, vilket kan leda till fall. Använd robusta skor för att undvika skador.

Av säkerhetsskäl är det förbjudet att sitta på rollatorn under resor med kollektivtrafik. Förvara rollatorn på ett säkert sätt och se till att parkeringsbromsarna på båda sidor är aktiverade (A).

Använd inte rollatorn på hala eller isiga ytor.

Håll rollatorn borta från eld och heta föremål.

Klättra inte på rollatorn.

3 Utfällning / Hopfällning

Utfällning: Lossa låsklämman som är placerad vid sitsstängerna (A). Tryck ner och ut sitsstängerna. Sidoramarna glider isär. Tryck ner sitsstängerna (B). Du kommer att höra ett klickljud. Rollatorn är nu låst i utfällt läge.

Hopfällning: Dra remmen på sitsen (C) uppåt och tryck ihop sidoramarna. Lås klämman (D) över sitsstängerna.

Bära rollatorn: Rollatorn får inte bäras i sitsremmen eller i bromsvajrarna. Fäll ihop rollatorn enligt bilden (E). Bär rollatorn i sitsstängerna (F) när den är ihopfälld.

4 Handtag / Minnesfunktion

Höjdjustering: Dra spaken (A) uppåt och justera handtagsröret till en lämplig höjd (B). Släpp spaken och rör handtagsröret lätt upp och ner tills du hör ett klick. Se till att spaken är riktad nedåt (C). Justera båda handtagen till samma höjd genom att jämföra sifferskalan på varje sida. *Vi rekommenderar att handtagen är inställda på samma höjd som handlederna när armarna hänger rakt ner längs kroppen.*

Minnesfunktion: Bestäm höjden på handtagen (se sifferskalan). Räkna de synliga hålen på baksidan av handtagsrören. Skruva loss skruven (D) på toppen av fästdelen. Dra spaken uppåt (A) och dra ut röret (E) ur ramen. Fästdelen (F) följer nu handtagsröret. Flytta fästdelen (F) så att antalet hål ovanför den motsvarar det tidigare räknade antalet. Sätt in det röda minneschipet (G) i det första tillgängliga hålet under fästdelen (F). Dra spaken uppåt (A) och tryck ner handtagsröret (E) och fästdelen (F) i sidramen (H). Fäst skruven (D) igen på toppen av fästdelen. Dra spaken uppåt (A) och dra upp handtaget tills det stannar och släpp sedan spaken. Från och med nu, när handtagen är i den lägsta positionen, stannar de i den förinställda positionen när de lyfts upp.

5 Bromsar

Se till att bromsarna fungerar före varje färd. Varje bromshandtag (A) fungerar på vart och ett av bakhjulen. *Rollatorn ska inte köras eller skjutas framåt när parkeringsbromsarna är aktiverade!*

Parkeringsbromsar: Tryck ner båda bromshandtagen (A) tills de låser sig. Båda bakhjulen är nu låsta. Dra båda bromshandtagen uppåt för att lossa parkeringsbromsarna.

Färdbronsen: Dra båda bromshandtagen (B) uppåt för att sänka hastigheten. *Använd inte kontinuerligt när rollatorn är i rörelse.*

Justering/kontroll: Lossa muttern (C). Dra åt bromsvajern (D) med justerings-skruv (E). Justera båda bromsklossarna så att avståndet till hjulytan är ca 1 mm (F) och dra sedan åt muttern (C). Se till att bromsarna inte är för hårt inställda så att de trycker hårt in i hjulens gummi när parkeringsbromsen är på.

Underhåll: Rengör bromsklossen (F) och bromsfjädern (G) regelbundet. Hjulen och bromsarna kan bytas ut om de är utslitna eller skadade.

6 Sits

Rollatorn har en säker och bekväm nätsits, genom vilken du har utsikt mot marken medan du går. Den kan enkelt torkas av med en trasa om det behövs. Parkeringsbromsarna måste vara aktiverade innan sitsen används. Tryck båda bromshandtagen nedåt tills de låser (A). Båda bakhjulen är nu låsta. Sitt med ryggen mot korgen (B).

7 Kantskydd / Steghjälp

Kantskydd: Kantskydden (A), som är framför bakhjulen, hindrar bakhjulen från att fastna i hörn, dörrkarmar etc.

Steghjälp: För att använda steghjälpen placerar du främre delen av foten på pedalen (B) bredvid bakhjulet och pressar den nedåt. Detta hjälper till att luta rollatorn över trösklar, kanter etc. Observera: Var försiktig när du passerar trottoarkanter och liknande.

Korg

Korgen tål last upp till 10 kg (modell M & S) / 5 kg (modell X). Den kan tas av och tvättas försiktigt vid upptill 60 °C.

Transport

Rollatorn ska transporteras i hopfällt och låst läge (se avsnitt 3 Utfällning / Hopfällning). Se till att låsklämman är fastsatt, så att rollatorn inte kan fällas ut oavsiktligt. Var försiktig när du lastar in rollatorn i ett fordon och var uppmärksam på att säkra den.

Lagring

Rollatorn ska förvaras stående. Om den förvaras utomhus bör den täckas över för att skyddas. Lämna inte rollatorn utan uppsikt. Lägg inte tunga föremål ovanpå rollatorn under förvaring.

Rengöring

Rollatorn kan rengöras med en fuktig trasa. Vid ansamling av lera och smuts kan en trasa med ett mildt tvättmedel användas följt av sköljning med ljummet vatten. Använd inte högtryckstvätt och undvik att spola direkt mot kullager (i hjul och framgafflar). Använd inte slipmedel eller ångtvätt. Torka rollatorn med en mjuk trasa.

Desinfektion

Desinfektion får endast utföras av behörig personal. Kontakta din lokala återförsäljare eller din hjälpmedelscentral. Under desinfektion måste tillräcklig skyddsutrustning bäras och instruktionerna från desinfektionsmedelstillverkaren måste följas. Rollatorns yta ska rengöras med en mjuk trasa eller svamp och ett godkänt kemiskt desinfektionsmedel som innehåller 70–80 % etanol. Vi avråder från desinfektionsmedel som innehåller klor eller fenol. Använd inte värmedesinfektion. *Tillverkaren kan inte hållas ansvarig för skador som kan uppstå vid användning av skadligt desinfektionsmedel/-metoder eller vid desinfektion som utförs av obehörig personal.*

Inspektion / Underhåll / Rekonditionering

Det rekommenderas att inspektion och underhåll utförs regelbundet (frekvensen bestäms av hur och hur ofta rollatorn används). Kontrollera följande: Ram, skruvar, handtag, handtagsrör, bromsar, bromsdelar, hjul, sits och tillbehör. Detta gäller även när rollatorn ska förberedas för återanvändning. Se detaljerade instruktioner i denna bruksanvisning om underhåll av bromsar och rengöring/desinfektion. Det rekommenderade underhållet är inte ett krav, och inget förebyggande underhåll krävs förutsatt att rollatorn används som avsett enligt denna bruksanvisning.

Material / Återvinning

Rollatorn är tillverkad av plastbelagda aluminiumrör, plastkopplingar och material av plast och polyester. Det finns kullager i alla hjul och hjulgafflar. De flesta rollatordelar kan återvinnas. Kassera rollatorn och dess förpackning i enlighet med gällande regler i ditt land. För information, vänligen kontakta dina myndigheter.

Garanti

TOPRO Troja Original är garanterat fri från fel och defekter i 7 år. Skador som orsakas av felaktig användning eller delar som utsätts för naturligt slitage (t.ex. bromskloss, bromsvajer, hjul, korg, sits och handtag) är undantagna från 7 års garanti. För reparationer under garantiperioden, vänligen kontakta din lokala hjälpmedelscentral eller återförsäljare. Garantin upphör att gälla om otillåtna reservdelar eller tillbehör har använts eller används på produkten. Produktens förväntade livslängd uppskattas till 10 år, förutsatt att den används på rätt sätt enligt denna bruksanvisning och dess säkerhets- och underhållsanvisningar.

8 Produktetikett

- 1 - Tillverkare
- 2 - Maximal användarvikt
- 3 - Maximal rollatorlängd
- 4 - Maximal bredd/höjd på rollatorn
- 5 - Medicinteknisk produkt
- 6 - Läs bruksanvisningen (blå ikon på den nya etiketten)
- 7 - Avsedd för inomhus- och utomhusbruk
- 8 - Modellnamn
- 9 - Modellnummer
- 10 - Tillverkningsdatum
- 11 - Serienummer
- 12 - Artikelnummer för global handel (GTIN-kod)
- 13 - CE-märkning (Denna produkt uppfyller förordningen om medicintekniska produkter (EU) 2017/745)
- 14 - GS1 DataMatrix

Tillbehör

	TOPRO-artikelnr.
Ryggstöd med stoppning, 68 cm	815271
Ryggstöd med stoppning, 76 cm	815273
Bricka (OBS: inte för storlek X)	814728
Antihalkmatta för bricka (OBS: ej för storlek X)	814059
Käpphållare, svart	814040
Flaskhållare, svart	814043
LED-lampa med clip-on och USB-kontakt	815260
Paraply med fäste, svart	814068
Enhandsbroms	814026
Styrhandtag för synskadade	814014
Bakre väska med dragkedja (OBS: ej för storlek X)	814046
Transportväska	814042
Namnskylt	814024
Släpbroms (Rullmotståndssystem), par	814032
Korg för syrgasflaska (endast komprimerad, inte flytande)	814009

Tillbehör monterade på rollatorn kan påverka stabiliteten, vi rekommenderar därför att du använder dem med försiktighet. Tillbehör kan beställas separat för att TOPRO Troja Original ska kunna anpassas efter individuella behov. Kontakta din hjälpmedelscentral, återförsäljare eller TOPRO för en uppdaterad översikt över tillgängliga tillbehör eller besök vår hemsida topromobility.com.

Tillykke med dit valg af den nye TOPRO-rollator

Hver TOPRO-rollator er udviklet, designet og fremstillet i Norge. Produktet overholder EU's forordning (EU) 2017/745 for medicinsk udstyrs sikkerhed og ydeevne. Det er testet og godkendt iht. EN ISO 11199-2:2021. Når du har modtaget rollatoren, beder vi dig tjekke, om alt er i orden. Har du spørgsmål, beder vi dig kontakte din mobilitetsbutik eller forhandler. Har du problemer med at læse denne brugervejledning, kan du se den online på topromobility.com.

Brugen af produktet

TOPRO Troja Original er beregnet til at yde støtte til brugere med nedsat balanceevne og/eller gangfunktion. Det er beregnet til at blive skubbet, ikke trukket. Det integrerede sæde giver brugeren mulighed for at hvile, hvis det er nødvendigt. Rollatoren er til voksne brugere. Der er begrænsninger mht. brugerens højde og vægt. *Kontraindikationer: Produktet er ikke egnet til personer med dårlig styrke i armene, med meget dårlig balance eller med betydelige kognitive handicap. Produktet er designet og godkendt til både indendørs og udendørs brug. Udendørs er rollatoren beregnet til at være en hjælp til at gå på veje og stier. Det er ikke egnet i ujævnt og/eller stejlt terræn eller til brug på trapper.*

For at lære rollatoren bedre at kende og bruge den korrekt anbefaler vi undervisning og vejledning af en fagperson.

0 Tallene i de grå cirkler refererer til den nummererede grafik og til illustrationerne, som du finder inde i omslaget

1 Lær dit TOPRO-produkt at kende

- | | |
|--|-------------------------------------|
| A Håndtag | H Håndtag til højdejustering |
| B Bremseregreb | I Kurv |
| C Håndtagsrør | J Sideramme |
| D Bremssekabel | K Bremsklods / kantbeskytter |
| E Sædestænger / bærehåndtag | L Vippefunktion |
| F Låseclips | M Produktmærke |
| G Sæde med rem til foldemekanisme | |

2 Sikkerhed

Pas på dine fingre, når du klapper rollatoren sammen, eller folder den ud.

Sæt ikke fingrene i åbne huller eller mellem faste dele.

Sørg for, at håndtagene til højdejustering er placeret nedad.

Når du holder stille eller parkeret skal du altid aktivere parkeringsbremsene på begge sider (A).

Brug ikke rollatoren på trapper. Vær forsigtig, når du passerer kantsten og lignende.

Kontroller bremsene før brug hver gang, og at rollatoren er låst i udfoldet position.

Brug ikke rollatoren til at transportere tunge ting eller personer.

Vær opmærksom på, at nogle dele af rollatoren kan føles varme eller kolde, når de udsættes for ekstreme temperaturer.

Du må ikke ændre produktet, det kan bringe din sikkerhed i fare, og garantien bliver ugyldig.

Før du sidder på sædet (C), skal du sørge for at parkeringsbremsene på begge sider er aktiveret (A).

For at undgå risikoen for at falde må du ikke læne dig eller bøje dig sidelæns eller over mod bagsiden af rollatoren,

mens du sidder på den (D). Rollatoren må ikke vippe for meget sidelæns. Af samme grund må poser og lign. aldrig hænges på håndtagene.

For at give den rette støtte og sikkerhed skal du gå lige og sørge for, at rollatoren holdes så tæt på kroppen som muligt (E). Gå mellem baghjulene (F), ikke bag dem (G).

Vær opmærksom på, at rollatoren kan rulle hurtigere end dig, når du går ned ad bakke, hvilket kan føre til fald. Brug kørebremsen for at justere hastigheden (B).

Vær forsigtig, hvis du har flagrende bukser eller nederdele på, da de kan blive fanget i hjulene, hvilket kan føre til at fald. Brug robust fodtøj for at undgå skader.

Af sikkerhedsmæssige årsager er det forbudt at sidde på rollatoren under offentlig transport. Opbevar rollatoren sikkert, og sørg for, at parkeringsbremsene på begge sider er aktiveret (A).

Brug ikke rollatoren på glatte eller iskolde overflader.

Hold rollatoren væk fra ild og varme genstande.

Kravl ikke op på rollatoren.

3 At folde ud og sammen

At folde ud: Åben låseclipsen, der er placeret ved sædestængerne (A). Tryk sædestængerne ned og ud. Siderammerne glider fra hinanden. Tryk sædestængerne ned (B) til du hører et klik. Rollatoren er nu låst i brugspostion.

At folde sammen: Træk i stroppen på sædet (C) og tryk siderammerne sammen. Lås clipsen (D) over sædestængerne.

Transport af rollatoren: Rollatoren må ikke bæres i sædestroppen eller bremsekablerne.

Fold rollatoren sammen som vist på illustrationen (E). Bær rollatoren ved sædestængerne (F), når den er sammenfoldet.

4 Håndtag / Memoryfunktion

Højdejustering: Træk håndtaget (A) opad, og juster håndtagsrøret til en passende højde (B). Slip håndtaget, og træk håndtagsrøret lidt op og ned, indtil du hører et klik. Sørg for, at håndtaget er placeret nedad (C). Juster begge håndtag til samme højde ved at sammenligne talskalaen på hver side. *Det anbefales, at håndtagene er indstillet til samme højde som dine håndled, når dine arme hænger langs kroppen.*

Memoryfunktion: Find den optimale højde for håndtagene (se talskala). Tæl synlige huller bag på håndtagsrørene. Skru ud skruen (D) oven på fastgørelsesstykket. Træk håndtaget opad (A), og træk røret (E) ud af rammen. Fastgørelsesstykket (F) følger nu håndtagsrøret. Flyt fastgørelsesstykket (F), så antallet af huller over det svarer til de tidligere tællede huller. Monter den røde hukommelseschip (G) på håndtagsrøret i det første tilgængelige hul under fastgørelsesstykket (F). Træk håndtaget opad (A), og skub håndtagsrøret (E) og fastgørelsesstykket (F) nedad og ind i siderammen (H). Monter skruen (D) oven på fastgørelsesstykket. Træk håndtaget opad (A), og træk håndtaget op, indtil det stopper, og slip derefter håndtaget. Fra nu af, når håndtagene er i den laveste position, stopper de i den forudindstillede position, når de trækkes op.

5 Bremses

Sørg før hver tur for, at bremsene virker. Bremsegrebene (A) virker på deres respektive baghjul. *Du må ikke køre eller skubbe rollatoren, mens parkeringsbremsene er i brug!*

Parkeringsbremses: Skub begge bremsegreb (A) ned, indtil de låses. Begge baghjul er nu låst. Skub begge bremsegreb opad for at frigøre parkeringsbremsene.

Kørebremser: Træk begge bremsegreb (B) opad for at reducere hastigheden. *Brug ikke kontinuerligt, mens rollatoren er i bevægelse.*

Justering/kontrol: Løs møtrikken (C). Bremsekablet (D) strammes med justeringskruen (E). Juster begge bremseklodser, så afstanden til hjuloverfladen er ca. 1 mm (F), og stram derefter møtrikken (C). Sørg for, at bremsene ikke justeres for stramt og presser hårdt ind i hjulenes gummi, når parkeringsbremsen er aktiveret.

Vedligeholdelse: Rengør bremseklodsen (F) og bremsefjederen (G) regelmæssigt. Hjul og bremses kan udskiftes, hvis de er slidte eller beskadigede.

6 Sæde

Rollatoren har et sikkert og bekvemt netsæde, hvorigennem du har ud-sigt til jorden, mens du går. Det kan nemt tørres med en klud, hvis det er nødvendigt. Parkeringsbremsene skal være aktiveret, før sædet tages i brug. Skub begge bremsegreb nedad, indtil de låser (A). Begge baghjul er nu låst. Sid med ryggen mod kurven (B).

7 Kantbeskytter / Vippefunktion

Kantbeskytter: Kantbeskytterne (A), som er foran baghjulene, forhindrer baghjulene i at fange hjørner, dørkarme osv.

Vippefunktion: Hvis du vil bruge vippefunktionen, skal du bruge fodens forside og trykke ned på vippepedalen (B), som er ved siden af baghjulet. Dette hjælper dig med at vippe rollatoren over dørtrin og kanter mv. Bemærk: Vær forsigtig, når du passerer kantsten og lignende.

Kurv

Kurven kan rumme op til 10 kilo (model M & S) / 5 kilo (model X). Den kan fjernes og vaskes forsigtigt ved op til 60 °C.

Transport

Rollatoren bør transporteres i sammenfoldet og låst position (se pkt. 3 *At folde ud og sammen*). Sørg for, at låseclipsen er fastgjort, så rollatoren ikke kan folde sig utilsigtet ud. Vær forsigtig, når du lægger rollatoren ind i et køretøj, og vær opmærksom på at fastgøre den. Rollatoren kan lægges ned ved at løfte den i rammerøret.

Opbevaring

Rollatoren skal opbevares i opretstående stilling. Hvis den opbevares udendørs, skal den være under et beskyttende cover. Lad ikke rollatoren være uden opsyn. Læg ikke tunge genstande oven på rollatoren under opbevaring.

Rengøring

Rollatoren kan rengøres med en fugtig klud. I tilfælde af ophobning af mudder og snavs kan en klud med et mildt vaskemiddel anvendes efterfulgt af skylning med lunkent vand. Undgå at skylle direkte mod kuglelejer (i hjul og forgæfler). Brug ikke slibemidler. Tør rollatoren med en blød klud.

Desinfektion

Desinfektion må kun udføres af autoriseret personale. Kontakt din lokale forhandler eller dit mobilitetshjælpemiddelcenter. Under desinfektion skal der bæres tilstrækkeligt beskyttelsesudstyr, og desinfektionsmiddelproducentens anvisninger skal følges. Rollatorens overflade skal rengøres med en blød klud eller svamp og et godkendt kemisk desinfektionsmiddel indeholdende 70-80 % ethanol. Vi fraråder desinfektionsmiddel, der indeholder klor eller phenol. *Producenten kan ikke holdes ansvarlig for skader, der opstår ved hjælp af skadeligt desinfektionsmiddel/-metoder eller desinfektion udført af uautoriseret personale.*

Eftersyn / Vedligeholdelse / Genanvendelse

Vi anbefaler at udføre eftersyn og vedligeholdelse udføres regelmæssigt (hyppigheden bestemmes af, hvordan og hvor ofte rollatoren bruges). Kontroller følgende: Ramme, skruer, håndtag, håndtagsrør, bremses, bremsedele, hjul, sæde og tilbehør. Det gælder også, når rollatoren skal forberedes til andre brugere. Se detaljerede instruktioner i denne brugervejledning om service på bremses samt rengøring/desinfektion. Den anbefalede vedligeholdelse er ikke et krav, og der kræves ingen forebyggende vedligeholdelse, hvis rollatoren bruges efter hensigten i henhold til denne vejledning.

Materiale / Genbrug

Rollatoren er produceret af plastbelagte aluminiumsrør, plastkoblinger og materiale lavet af plast og polyester. Der er kuglelejer i alle hjul og gaffler. De fleste rollatordele kan genbruges. Bortskaf rollatoren og dens emballage, når det bliver nødvendigt, i henhold til de gældende regler i dit land. Kontakt dine offentlige myndigheder for uddybende oplysninger.

Garanti

TOPRO Troja Original er garanteret fri for fejl og mangler i 7 år. Skader forårsaget af forkert brug eller dele, der udsættes for naturlig slitage (f.eks. bremseklodser og -kabler, hjul, kurv, sæde og håndtag), er undtaget fra 7 års garanti. For reparation i garantiperioden skal du kontakte din lokale mobilitetsbutik eller forhandler. Garantien bortfalder, hvis der er anvendt uautoriserede reservedele eller tilbehør til produktet. Produktets forventede levetid anslås til at være 10 år, hvis det anvendes korrekt i henhold til denne brugervejledning samt dens sikkerheds- og vedligeholdelsesinstruktioner.

8 Produktmærke

- 1 - Fabrikant
- 2 - Maksimal brugervægt
- 3 - Maksimal længde på rollator
- 4 - Maksimal bredde/højde på rollator
- 5 - Medicinsk udstyr
- 6 - Se brugsanvisningen (blåt ikon)
- 7 - Beregnet til indendørs og udendørs brug
- 8 - Modelnavn
- 9 - Modelnummer
- 10 - Fremstillingsdato
- 11 - Serienummer
- 12 - Varenummer til global handel
- 13 - CE-mærkning (Dette produkt er i overensstemmelse med forordning (EU) 2017/745 om medicinsk udstyr)
- 14 - GS1 DataMatrix

Tilbehør

	TOPRO-varenr.
Rygstøtte med polstring, 68 cm	815271
Rygstøtte med polstring, 76 cm	815273
Bakke (NB: ikke for størrelse X)	814728
Skridsikker måtte til bakke (NB: ikke til størrelse X)	814059
Stokkeholder, sort	814040
Flaskeholder, sort	814043
LED-lampe med clip-on og USB-stik	815260
Paraply med fastgørelse, sort	814068
Enhåndsbremse	814026
Styrehåndtag til synshandicappede	814014
Bagtaske med lynlås (NB: ikke til størrelse X)	814046
Transporttaske	814042
Navneskilt	814024
Slæbebremse (Rullemodstandssystem), par	814032
Kurv til iltflaske (kun komprimeret, ikke flydende)	814009

Tilbehør monteret på rollatoren kan påvirke stabiliteten. Vi anbefaler derfor at bruge dem med omhu. Tilbehør kan bestilles separat, så rollatoren kan tilpasses individuelle behov. Kontakt din mobilitetsbutik, forhandler eller TOPRO for at få et opdateret overblik over tilgængeligt tilbehør, eller besøg vores hjemmeside topromobility.com.

Onnittelut uuden TOPRO-rollaattorin valinnasta

Jokainen TOPRO-rollaattori on kehitetty, suunniteltu ja valmistettu Norjassa. Tuote on ilmoitettu lääkinnällisten laitteiden asetuksen (EU) 2017/745 mukaiseksi. Se on testattu ja hyväksytty standardin EN ISO 11199-2:2021 mukaisesti. Kun olet vastaanottanut tavarat, tarkista tuotteesi. Jos sinulla on kysyttävää, ota välittömästi yhteyttä jälleenmyyjään. Jos sinulla on ongelmia tämän käyttöohjeen lukemisessa, sähköinen versio on saatavana osoitteessa topromobility.com.

Käyttötarkoitus

TOPRO Troja Original tukee käyttäjiä, joiden tasapaino ja/tai kävelykyky on heikentynyt. Se on suunniteltu työntäväksi, ei vedettäväksi. Integroitu istuin tarjoaa käyttäjälle tarvittaessa mahdollisuuden levätä. Laite on tarkoitettu aikuisten käyttöön. Pituus- ja painorajoitukset ovat voimassa. *Vasta-aiheet: Tuote ei sovellu henkilöille, joilla on heikkoutta käsivarsissa, erittäin huono tasapaino tai huomattava kognitiivinen toimintarajoite. Tuote on suunniteltu ja hyväksytty sekä sisä- että ulkokäyttöön. Ulkona rollaattorin on tarkoitus olla apuna teillä ja poluilla kävellessä. Se ei sovellu vaikeaan ja/ tai jyrkkään maastoon eikä käytettäväksi portaissa.*

Suosittelemme, että ammattilainen opastaa sinulle rollaattorin oikeaoppisen käytön.

0 Tämän käyttöohjeen harmaat numeroidut ympyrät viittaavat numeroituun tietokuvaan ja kansin sisällä oleviin kuviin

1 TOPRO-tuotteeseen saaminen

- | | |
|---|----------------------------------|
| A Kahva | H Korkeudensäätövipu |
| B Jarrukahva | I Kori |
| C Kahvaputki | J Sivurunko |
| D Jarruvaijeri | K Jarrupala / Reunasuojus |
| E Istuintangot / Kantokahva | L Kallistustoiminto |
| F Lukituspuristin | M Tuotteen etiketti |
| G Istuin, jossa on hihna taittomekanismia varten | |

2 Turvallisuus

Ole varovainen rollaattoria kokoon taittaessa tai avatessasi ettet satuta sormiasi.

Varo laittamasta sormiasi avoimiin reikiin tai rollaattorin osien väliin.

Varmista, että kahvojen korkeuden säätövipu on tiukasti lukittu.

Varmista paikoillaan tai pysäköitynä ollessa, että molempien puolten seisontajarrut ovat lukitussa asennossa (A).

Älä käytä rollaattoria portaissa. Ole varovainen ylittäessäsi reunakiveyksiä jne.

Tarkista ennen jokaista käyttökertaa jarrut ja että rollaattori lukittuu avattuun asentoon.

Älä käytä rollaattoria raskaiden kuormien tai henkilöiden kuljettamiseen.

Huomaa, että jotkin rollaattorin osat voivat tuntua kuumilta tai kylmiltä, kun ne altistuvat äärimmäisille lämpötiloille.

Älä muuntele tuotetta, koska se voi vaarantaa turvallisuutesi ja takuu raukeaa.

Ennen kuin istut istuimella (C), varmista, että molempien puolten seisontajarrut ovat lukitussa asennossa (A).

Kaatumisvaaran välttämiseksi älä nojaa tai kurkota sivullepäin tai rollaattorin taakse istuma-asennossa. Älä kallista

rollaattoria liikaa sivuttain (D) kaatumisvaaran välttämiseksi. Samasta syystä laukkuja tms. ei tule koskaan ripustaa rollaattorin kahvoihin.

Oikean tuen ja turvallisuuden takaamiseksi kävele suoraan ja varmista, että rollaattori on mahdollisimman lähellä kehoasi (E). Kävele takapöydien välissä (F), ei niiden takana (G).

Huomaa, että alamäessä rollaattori voi liikkua nopeammin kuin sinä, mikä voi aiheuttaa kaatumisvaaran. Säädä nopeutta aktivoimalla ajojarrut (B).

Ole varovainen, kun käytät väliä hameita ja housuja, koska ne voivat tarttua pyöriin, mikä voi johtaa kaatumiseen. Käytä tukevia jalkineita vammojen välttämiseksi.

Turvallisuussyistä rollaattorilla istuminen julkisissa liikennevälineissä on kielletty. Säilytä rollaattori turvallisesti ja varmista, että molempien puolten seisontajarrut ovat aktivoituneet (A).

Älä käytä rollaattoria liukkailalla tai jäisillä pinnoilla.

Pidä rollaattori etäällä tules-
ta ja kuumista esineistä.

Älä kiipeä rollaattorin päälle.

3 Avaaminen / Kokoon taittaminen

Avaaminen: Vapauta istuintankoihin sijoitettu lukituspuristin (A). Paina istuintangot alas ja ulos. Sivurungot liukuvat erilleen. Paina istuintankoja alas (B). Kuulet naksahduksen. Rollaattori on nyt lukittu avoimeen asentoonsa.

Taitto: Vedä istuimen hihnaa (C) ja paina sivurunkoja yhteen. Lukitse puristin (D) istuintankojen päälle.

Rollaattorin kantaminen:

Rollaattoria ei saa kantaa istuinhihnasta tai jarruvaijereista.

Taita rollaattori kokoon kuvan (E) mukaisesti. Kanna rollaattoria istuintangoista (F), kun se on taitettuna.

4 Kahvat / Muisti-toiminto

Korkeudensäätö: Vedä vipua (A) ylöspäin ja säädä kahvapatki sopivalle korkeudelle (B). Vapauta vipu ja liikuta kahvapatkea hieman ylös ja alas, kunnes kuulet napsahduksen. Varmista, että vipu on alaspäin (C). Säädä molemmat kahvat samaan korkeuteen vertaamalla numeromerkintöjä kummallakin puolella. *On suositeltavaa, että kahvat asetetaan samalle korkeudelle kuin ranteesi, kun kätesi roikkuvat kehon vieressä.*

Muistitoiminto: Päätä kahvojen korkeus (katso numeromerkintä). Laske näkyvät reiät kahvapatkien takana. Irrota ruuvi (D) kiinnityskappaleen yläosasta. Vedä vipua ylöspäin (A) ja vedä putki (E) pois rungosta. Kiinnityskappale (F) seuraa nyt kahvapatkea. Siirrä kiinnityskappale (F) niin, että sen yläpuolella olevien reikien määrä vastaa aiemmin laskettua lukumäärää. Aseta punainen muistisirru (G) kahvapatkeen ensimmäiseen vapaaseen reikään kiinnityskappaleen (F) alle. Vedä vipua ylöspäin (A) ja työnnä kahvapatki (E) ja kiinnityskappale (F) alaspäin ja sivurunkoon (H). Kiinnitä ruuvi (D) kiinnityskappaleen yläosaan. Vedä vipua ylöspäin (A), vedä kahva ylös, kunnes se pysähtyy, ja vapauta sitten vipu. Jatkossa, kun kahvat ovat alimassa asennossa, ne pysähtyvät ennalta asetettuun korkeuteen vedettäessä ylös.

5 Jarrut

Varmista ennen jokaista matkaa, että jarrut toimivat. Kumpikin jarrukahva (A) vaikuttaa molempiin takapyöriin. *Älä aja tai työnnä rollaattoria seisontajarrujen ollessa käytössä.* **Seisontajarrut:** Paina molempia jarrukahvoja (A) alaspäin, kunnes ne lukittuvat. Molemmat takapyörät ovat nyt lukossa. Vapauta seisontajarrut puristamalla molempia jarrukahvoja ylöspäin.

Jarrut: Vähennä nopeutta vetämällä molempia jarrukahvoja (B) ylöspäin. *Älä käytä jarruja jatkuvasti rollaattorin ollessa liikkeessä.*

Säätäminen/tarkistaminen: Löysää mutteria (C). Kiristä jarruvaijeri (D) säätöruuvilla (E). Säädä molemmat jarrupalat niin, että etäisyys pyörän pintaan on noin 1 mm (F) ja kiristä sitten mutteri (C). Varmista, että jarruja ei säädetä liian tiukalle niin, että ne painavat pyörien kumeihin kovaa, kun seisontajarru on päällä. **Ylläpito:** Puhdista jarrupala (F) ja jarrujousi (G) usein. Pyörät ja jarrut voidaan vaihtaa, jos ne ovat kuluneet tai vaurioituneet.

6 Istuin

Rollaattorissa on turvallinen ja kätevä verkkoistuin, jonka läpi näkee maahan kävellessä. Se voidaan tarvittaessa helposti pyyhkiä liinalla. Seisontajarrujen on oltava päällä ennen istuimen käyttöä. Paina molempia jarrukahvoja alaspäin, kunnes ne lukittuvat (A). Molemmat takapyörät ovat nyt lukossa. Istu selkä koria kohti (B).

7 Reunasuojus / Kallistustoiminto

Reunasuojus: Takapyörien edessä ovat reunasuojukset (A) estävät takapyöriä tarttumasta kulmiin, ovenkarmeihin jne. **Kallistustoiminto:** Käytä kallistustoimintoa painamalla jalkaterän etuosalla kallistuspoljinta (B), joka on takapyörän vieressä. Tämä auttaa kallistamaan rollaattoria kynnysten, reunojen yms. yli. Huomaa: Ole varovainen ylittäessäsi reunakiveyksiä jne.

Kori

Korin kantavuus on jopa 10 kiloa (malli M & S) / 5 kiloa (malli X). Se voidaan irrottaa ja pestä varovasti 60 °C:ssa.

Kuljetus

Rollaattori on kuljetettava kokoon taitettuna lukitusasennossa (katso kohta Avaaminen / Kokoon taittaminen). Varmista, että lukituspuristin on päällä, jotta rollaattori ei pääse avautumaan tahattomasti. Ole varovainen lastattaessa rollaattoria ajoneuvoon ja kiinnitä huomiota sen kiinnittämiseen.

Varastointi

Rollaattori on säilytettävä pystyasennossa. Jos sitä säilytetään ulkona, rollaattorin on oltava peitettynä sen suojaamiseksi. Älä jätä rollaattoria valvomatta. Älä aseta painavia esineitä rollaattorin päälle varastoinnin aikana.

Puhdistaminen

Rollaattori voidaan puhdistaa kostealla liinalla. Jos mutaa ja likaa on kertynyt, voidaan käyttää liinaa, johon on lisätty mietoa pesuainetta, ja sen jälkeen huuhdella haalealla vedellä. Älä käytä korkeapainepesureita ja vältä huuhtelua suoraan kuulalakeereita vasten (pyörissä ja etuhaarukoissa). Älä käytä hankausaineita tai höyrypesua. Kuivaa rollaattori pehmeällä liinalla.

Desinfiointi

Desinfiointiin saa suorittaa vain valtuutettu henkilökunta. Ota yhteyttä paikalliseen jälleenmyyjään tai apuvälinekeskukseen. Desinfiointin aikana on käytettävä riittäviä suojavarusteita ja noudatettava desinfiointiaineen valmistajan ohjeita. Pinta on puhdistettava pehmeällä liinalla tai sienellä ja hyväksytyllä kemiallisella desinfiointiaineella, joka sisältää 70–80 % etanolia. Suosittelemme, ettei klooria tai fenolia sisältävää desinfiointiainetta käytetä. Älä käytä lämpödesinfiointia. *Valmistaja ei ole vastuussa vahingoista tai loukkaantumisista, jotka johtuvat haitallisista desinfiointiaineista/-toimenpiteistä tai luvattoman henkilökunnan suorittamasta desinfiointista.*

Tarkastus / Huolto / Uudelleenkäyttö

On suositeltavaa, että tarkastus ja huolto suoritetaan säännöllisesti (tiheys määräytyy rollaattorin käyttötavan ja -tiheyden mukaan). Tarkista seuraavat asiat: runko, ruuvit, kahvat, kahvaputket, jarrut, jarrujen osat, pyörät, istuin ja lisävarusteet. Tämä pätee myös silloin, kun rollaattori valmistellaan uudelleenkäyttöä varten. Katso tämän käyttöohjeen yksityiskohtaiset ohjeet jarrujen huollosta sekä puhdistuksesta/desinfiointista. Suositeltu huolto ei ole vaatimus, eikä ennaltaehkäisevää huoltoa tarvita edellyttäen, että rollaattoria käytetään tämän käyttöohjeen mukaisesti.

Materiaali / Kierrätys

Rollaattori on valmistettu muovipäällysteisistä alumiiniputkista, muoviliittimistä sekä muovista ja polyesteristä tehdystä materiaalista. Kaikissa pyörissä ja haarukoissa on kuulalaakerit. Useimmat rollaattorin osat voidaan kierrättää. Hävitä rollaattori ja sen pakkaus maassasi voimassa olevien määräysten mukaisesti. Lisätietoja saat viranomaisilta.

Takuu

TOPRO Troja Original on taattu ilman vikoja ja valmistusvirheitä 7 vuoden ajan. Takuu ei kata väärästä käytöstä aiheutuvia vaurioita tai luonnolliselle kulumiselle alttiita osia (esim. jarrupala, jarruvaijeri, pyörä, kori, istuin ja kahva). Jos tuotetta pitää korjata takuuajana, ota yhteyttä apuvälineen toimittajaan tai paikalliseen jälleenmyyjään. Takuu raukeaa, jos tuotteessa on käytetty tai käytetään luvattomia varaosia ja lisävarusteita. Tuotteen odotettu käyttöikä on arviolta 10 vuotta edellyttäen, että sitä käytetään oikein tämän käyttöohjeen ja turvallisuus- ja huolto-ohjeiden mukaisesti.

8 Tuotekilpi

- 1 - Valmistaja
- 2 - Käyttäjän enimmäispaino
- 3 - Rollaattorin enimmäispituus
- 4 - Rollaattorin enimmäisleveys/-korkeus
- 5 - Lääkinnällinen laite
- 6 - Tutustu käyttöohjeisiin (sininen kuvake uudessa tarrassa)
- 7 - Tarkoitettu sisä- ja ulkokäyttöön
- 8 - Mallin nimi
- 9 - Mallin numero
- 10 - Valmistuspäivä
- 11 - Sarjanumero
- 12 - Tuotetunniste (GTIN-koodi)
- 13 - CE-merkinnä (Tämä tuote on lääkitäyttöön tarkoitettujen laitteiden asetuksen (EU) 2017/745 mukainen.)
- 14 - GS1 DataMatrix

Lisävarusteet

	TOPRO-nimikkeen nro
Pehmustettu selkätuki, 68 cm	815271
Pehmustettu selkätuki, 76 cm	815273
Tarjotin (huom.: ei koolle X)	814728
Liukumaton matto lokerolle (huom.: ei koolle X)	814059
Kynnärsauvan pidike, musta	814040
Pulloteline, musta	814043
LED-lamppu klipsillä ja USB-liittimellä	815260
Sateenvarjokiinnikkeineen, musta	814068
Yhden käden jarru	814026
Ohjaukahva esim. näkövammaisille	814014
Vetoketjullinen takalaukku (huom.: ei koolle X)	814046
Kuljetuslaukku	814042
Nimilappu	814024
Vierintävastusjärjestelmä, pari	814032
Kori happipullolle (vain paineellinen, ei nestemäinen)	814009

Rollaattoriin asennetut lisävarusteet voivat vaikuttaa sen vakauteen, joten suosittelemme käyttämään niitä varoen. Lisävarusteet ovat tilattavissa erikseen TOPRO Troja Original in räätälöimiseksi yksilöllisiin tarpeisiin. Ota yhteyttä jälleenmyyjään tai TOPRO on, niin saat päivitetyn yleiskatsauksen saatavilla olevista lisävarusteista tai käy osoitteessa [topromobility.com](https://www.topromobility.com).

3 Opna / Leggja saman

Opna: Losaðu klemmulásinn (smelluna) sem er staðsettur á sætisstöngunum (A). Ýttu sætisstöngunum niður og út. Hliðargrindurnar munu renna í sundur. Ýttu niður sætisstöngunum (B). Þú munt heyra smell. Göngugrindin er núna læst í opinni stöðu.

Leggja saman: Settu ólina á sætið (C) og ýttu hliðargrindunum saman. Læstu klemmunni (D) yfir sætisstangirnar.

Burður göngugrindarinnar:

Göngugrindina má ekki bera með því að nota sætisólina eða bremsukapla. Leggðu göngugrindina saman eins og sýnt er á skýringarmyndinni (E). Berðu göngugrindina með sætisstöngum (F) þegar hún er samanlögð.

4 Handföng / Minnisaðgerð

Hæðarstilling: Dragðu handfangið (A) upp á við og stilltu handfangsrörið í viðeigandi hæð (B). Losaðu handfangið og hreyfðu handfangsrörið lítillega upp og niður þar til þú heyrir smell. Gakktu úr skugga um að handfangið snúi niður (C). Stilltu bæði handföngin í sömu hæð með því að bera saman töluskalann á hvorri hlið. *Það er mælt með því að handföngin séu stillt í sömu hæð og úlnliðir þínir, þegar handleggjarnir þínir hanga niður með líkama þínum.*

Minnisaðgerð: Ákveðið hæð handfanganna (sjá töluskala). Teldu sýnileg göt á bakhlíð handfangsrórnanna. Losaðu skrúfuna (D) efst á festibúnaðinum. Dragðu handfangið upp á við (A) og dragðu rörið (E) út úr rammanum. Festibúnaðurinn (F) mun nú fylgja handfangsrörinu. Færðu festibúnaðinn (F) þannig að fjöldi gatanna fyrir ofan samsvari áður talinn fjöldi. Settu rauða minniskubbinn (G) í fyrsta tiltæka gatið undir festibúnaðinum (F). Dragðu handfangið upp á við (A) og þrýstu handfangsrörinu (E) og festibúnaðinum (F) niður í hliðargrindina (H). Settu skrúfuna (D) aftur á festibúnaðinn. Dragðu handfangið upp á við (A) og dragðu handfangið upp þar til það stoppar, og slepptu þá handfanginu. Héðan í frá, þegar handföngin eru í lægstu stöðu, munu þau stöðvast í fyrirfram stilltri stöðu þegar þau eru dregin upp.

5 Bremsur

Gakktu úr skugga um að bremsurnar virki fyrir hverja ferð. Hver bremsustöng (A) fyrir sig virkar á hvert afturhjóla.

Ekki keyra eða ýta göngugrindinni þegar stöðuhemlar eru í notkun!

Stöðuhemlar: Ýttu báðum bremsustöngum (A) niður, þangað til að þær læsast. Bæði hjól eru núna læst. Kreistu báðar bremsustangir upp til að losa stöðuhemla.

Aksturshemlar: Togaðu báðar bremsustangir (B) upp til að draga úr hraða. *Ekki nota stöðugt þegar göngugrindin er á hreyfingu.*

Stilling / Skoðun: Losaðu róna (C). Hertu bremsukapalinn (D) með stilliskrúfunni (E). Stilltu báða bremsuklossa þannig að fjarlægðin til yfirborðs hjólsins er um það bil 1 mm (F) og hertu róna (C). Gakktu úr skugga um að bremsurnar séu ekki stilltar of nálægt og ýti fast á gúmmí hjólsins þegar stöðuhemillinn er á.

Viðhald: Þrifðu bremsuklossana (F) og bremsufjöðrina (G) reglulega. Hægt er að skipta um hjólin og bremsurnar ef þau eru slitin eða skemmd.

6 Sæti

Göngugrindin er með öruggt og þægilegt netsæti sem veitir yfirsýn yfir leiðina sem gengin er. Auðvelt er að þrifa það með klúti ef þess er þörf. Stöðuhemlarnir verða að vera virkir áður en sætið er notað. Ýttu báðum bremsustöngum niður, þangað til að þær læsast (A). Bæði hjól eru núna læst. Sittu með bakið upp að körfunni (B).

7 Hlíf á brún / Hallaaðgerð

Hlíf á brún: Hlífur á brúnir (A) sem eru framan við afturhjólin koma í veg fyrir að afturhjólin festist í hornum, dyrakömrum, o.s.frv.

Hallaaðgerð: Til að nota hallaaðgerðina skal nota framhluta fótarins og ýta niður hallafótstiginu (B) sem er fyrir aftan afturhjólið. Þetta hjálpar til að halla göngugrindinni yfir þröskulda, brúnir, o.s.frv. Vinsamlegast athugaðu: Farðu varlega þegar gengið er yfir gangstéttarbrúnir o.s.frv.

Karfa

Burðargeta körfunnar er upp að 10 kílógrömmum (tegund M & S) / 5 kílógrömmum (tegund X). Það er hægt að fjarlægja hana og þvo varfærnislega við allt að 60° C hita.

Flutningur

Göngugrindina verður að flytja í samanlagðri og læstri stöðu (sjá *efnisgreinina 3 Opna / Leggja saman*). Tryggðu að klemmulásinn (smellan) sé á, þannig að göngugrindin geti ekki opnast óviljandi. Farðu varlega þegar þú kemur göngugrindinni fyrir í ökutæki. Gakktu úr skugga um að þú festir hana tryggilega.

Geymsla

Göngugrindina á að geyma í uppréttri stöðu. Ef hún er geymd utandyra, verður hún að vera undir hlíf til að verja hana. Ekki skilja göngugrindina eftir án eftirlits. Ekki setja þunga hluti ofan á göngugrindina meðan á geymslu stendur.

Þrif

Best er að þrifa göngugrindina með rökum klút. Ef mikil óhreinindi hafa safnast upp á göngugrindinni má nota klút með mildu þvottaefni við þrif og skola hana svo með volgu vatni. Notið ekki háþrýstítæki við þrif í á göngugrindinni og forðist að sprauta beint á dekkinn og gafflana að framanverðu. Notið ekki sterk efni, grófa klúta eða svampa á göngugrindina né gufupvott. Þurrkið göngugrindina með því að nota mjúkan klút.

Sóttþreinsun

Sóttþreinsun má eingöngu vera framkvæmd af viðurkenndum aðila. Vinsamlegast hafið samband við þinn söluaðila eða hjálpartækjamaðstöð. Við sóttþreinsun skal klæðast fullnægjandi hlífðarfötum og fylgja skal leiðbeiningum frá famleiðanda vörunnar. Yfirborð göngugrindarinnar á alltaf að þrifa með mjúkum klúti eða svampi og með viðurkenndu sóttþreinsiefni sem inniheldur 70–80% etanól. Við mælum ekki með sóttþreinsiefni sem inniheldur klór eða fenól. Notið ekki heitt sóttþreinsiefni. *Framleiðandi er ekki ábyrgur fyrir hvers konar skemmdum sem geta átt sér stað með skaðlegu sóttþreinsiefni eða með sóttþreinsun sem er ekki frá viðurkenndum aðila.*

Skoðun / Viðhald / Endurnotku

Það er mælt með því að skoðun og viðhald séu framkvæmd reglulega (tíðni er ákveðin af því hvernig og hve oft göngugrindin er notuð). Athugaðu eftirfarandi atriði: Grind, skrufur, handföng, handfangsrör, bremsur, bremsuhluta, hjól, sæti og fylgihluti. Þetta á einnig við um hvenær göngugrindin er tilbúin til endurnotkunar. Vinsamlegast skoðaðu ítarlegar leiðbeiningar í þessari notendahandbók um viðhald á bremsum og þrif/sóttreinsun. Ráðlagt viðhald er ekki krafa og ekkert forvarnarviðhald er nauðsynlegt að því tilskyldu að göngugrindin sé notuð eins og fyrirhugað er og í samræmi við þessa notendahandbók.

Efni / Endurvinnsla

Göngugrindin er gerð úr plasthúðuðum álrörum, plasttengjum og efni gerðu úr plasti og pólýestri. Það eru kúlulegur í öllum hjólum og göfflum. Hægt er að endurvinnna flesta hluta göngugrindarinnar. Fargaðu göngugrindinni og umbúðum hennar í samræmi við viðeigandi reglugerðir í þínu landi. Hafðu samband við opinber yfirvöld fyrir frekari upplýsingar.

Ábyrgð

TOPRO Troja Original tryggir að göngugrindin sé laus við galla og bilanir í 7 ár. Skemmdir sem eru vegna rangrar notkunar eða þeir hlutar göngugrindarinnar sem eru óvarðir gegn náttúrulegri úrelingu og sliti (t.d. bremsuklossar, bremsukapall, hjól, karfa, sæti og handfang) eru undanþegnar 7 ára ábyrgðinni. Vinsamlegast hafðu samband við næstu hjálpertækjaverslun eða söluaðila fyrir viðgerðir meðan á ábyrgðartímabilinu stendur. Ábyrgðin ógildast ef óheimilir varahlutir eða fylgihlutir hafa verið notaðir eða eru notaðir á vörunni. Áætlaður endingartími vörunnar er 10 ár ef göngugrindin er notuð á réttan hátt og í samræmi við þessa notendahandbók og öryggis- og viðhaldsleiðbeiningar.

8 Framleiðslumiði

- 1 - Framleiðandi
- 2 - Hámarks þyngd notanda
- 3 - Hámarks lengd göngugrindar
- 4 - Hámarks breidd / hæð göngugrindar
- 5 - Lækningatæki
- 6 - Lestu leiðbeiningar fyrir notkun (bláa táknið á nýju merkingunni)
- 7 - Fyrirhuguð notkun innan- og utandyra
- 8 - Tegundarnafn
- 9 - Tegundarnúmer
- 10 - Framleiðsludagsetning
- 11 - Raðnúmer
- 12 - Vörunúmer fyrir alþjóðavíska (Global Trade Item Number)
- 13 - CE-merking (Þessi vara samræmist Reglugerð um Lækningatæki (EU) 2017/745)
- 14 - GS1 DataMatrix

Fylgihlutir

	TOPRO-vörunúmer
Bakstuðningur með púða, 68 cm	815271
Bakstuðningur með púða, 76 cm	815273
Bakki (Ath.: ekki fyrir stærð X)	814728
Stöm motta fyrir bakka (Ath.: ekki fyrir stærð X)	814059
Hækjufesting, svartur	814040
Flöskufesting, svartur	814043
Ljósdióðuljós með klemmu og USB-tengi	815260
Regnhlíf með festingu, svört	814068
Einnar handar bremsa	814026
Leiðbeiningarhandfang fyrir sjónskerta	814014
Poki að aftan með rennilás (Ath.: ekki fyrir stærð X)	814046
Flutningspoki	814042
Merkisspjald	814024
Dragbremsa (Renniviðnámskerfi), par	814032
Karfa fyrir súrefnisflösku (aðeins þjappað súrefni, ekki vökvi)	814009

Fylgihlutir sem festir eru á göngugrindina geta haft áhrif á stöðugleika. Við ráðleggjum þér því að nota þá með varúð. Hægt er að kaupa fylgihluti sér til að sérsníða TOPRO Troja Original göngugrindina að þörfum hvers og eins. Hafðu samband við hjálpertækjaverslun, söluaðila eða TOPRO fyrir uppfært yfirlit á fánlegum fylgihlutum eða farðu á heimasíðu okkar [topromobility.com](https://www.topromobility.com).

Félicitations pour votre choix d'un nouveau déambulateur TOPRO

Chaque déambulateur TOPRO est développé, conçu et fabriqué en Norvège. Le produit est déclaré conforme au règlement (UE) 2017/745 sur les dispositifs médicaux. Il est testé et approuvé selon la norme EN ISO 11199-2 : 2021. À la réception de la marchandise, veuillez vérifier votre produit. Si vous avez des questions, veuillez contacter immédiatement votre magasin de mobilité ou votre revendeur. Si vous rencontrez des difficultés pour lire ce manuel d'utilisation, une version électronique est disponible sur topromobility.com.

Utilisation prévue

Le TOPRO Troja Original doit apporter un soutien aux utilisateurs ayant un équilibre réduit et / ou une capacité de marche réduite. Il est conçu pour être poussé, pas tiré. Le siège intégré offre à l'utilisateur la possibilité de se reposer si nécessaire. L'utilisateur visé est un adulte. Des restrictions de taille et de poids s'appliquent. *Contre-indications : Le produit ne convient pas aux personnes ayant une faible force dans les bras, avec un très mauvais équilibre, ou avec des handicaps cognitifs considérables. Le produit est conçu et approuvé pour une utilisation à l'intérieur et à l'extérieur. À l'extérieur, le déambulateur est destiné à être une aide pour marcher sur les routes et les sentiers. Il ne convient pas aux terrains accidentés et / ou escarpés, ni aux escaliers.*

Pour apprendre à connaître le déambulateur et apprendre à l'utiliser correctement, une formation par un professionnel est recommandée.

0 Les cercles numérotés gris de ce manuel d'utilisation font référence au graphique d'information numéroté et aux illustrations à l'intérieur de la couverture.

1 Apprenez à connaître votre produit TOPRO

- | | |
|--|--|
| A Poignée | H Levier de réglage de la hauteur |
| B Levier de frein | I Filet à provisions |
| C Tube de poignée | J Cadre latéral |
| D Câble de frein | K Bloc de frein / Protecteur de bords |
| E Barres de siège / Poignée de transport | L Aide au basculement |
| F Bride de sécurité | M Étiquette du produit |
| G Siège avec ruban pour mécanisme de pliage | |

2 Sécurité

Lors du pliage ou dépliage prenez garde à vos doigts.

Attention à ne pas mettre vos doigts dans des trous ouverts ou entre des pièces fixes.

Assurez-vous que le levier de verrouillage pour le réglage en hauteur des poignées est bien verrouillé.

À l'arrêt ou en stationnement, assurez-vous que les freins de stationnement des deux côtés sont en position verrouillée (A).

N'utilisez pas le déambulateur dans les escaliers. Soyez prudent lorsque vous passez un trottoir etc.

Vérifiez les freins avant chaque utilisation, et que le déambulateur se verrouille bien en position dépliée.

N'utilisez pas le déambulateur pour transporter des charges lourdes ou des personnes.

Sachez que certaines parties du déambulateur peuvent être chaudes ou froides lorsqu'elles sont exposées à des températures extrêmes.

Ne modifiez pas le produit car cela pourrait mettre votre sécurité en danger et la garantie sera annulée.

Avant de vous asseoir sur le siège (C), assurez-vous que les freins de stationnement des deux côtés sont en position verrouillée (A).

Pour éviter le risque de chute, ne vous penchez pas latéralement ou vers

l'arrière du déambulateur en position assise. N'inclinez pas trop le déambulateur latéralement (D), pour éviter le risque de chute. Pour la même raison, les sacs et autres objets ne doivent jamais être accrochés aux poignées.

Pour apporter un bon soutien en toue sécurité, marchez droit et assurez-vous que le déambulateur est maintenu aussi près de votre corps que possible (E). Marchez entre les roues arrière (F), pas derrière elles (G).

Sachez que le déambulateur peut rouler plus vite que vous ne marchez en descente, ce qui peut vous exposer à un risque de chute. Activez les freins de marche pour régler la vitesse (B).

Soyez prudent lorsque vous portez des jupes et des pantalons larges, car ils pourraient se prendre dans les roues, ce qui pourrait entraîner une chute. Portez des chaussures robustes pour éviter les blessures.

Pour des raisons de sécurité, il est interdit de s'asseoir sur le déambulateur dans les transports en commun. Rangez votre déambulateur en toute sécurité et assurez-vous que les freins de stationnement des deux côtés sont activés (A).

N'utilisez pas le déambulateur sur des surfaces glissantes ou glacées.

Gardez le déambulateur à l'écart du feu et des objets chauds.

Ne montez pas sur le déambulateur.

3 Dépliage / Pliage

Dépliage : Ouvrez la bride de sécurité positionnée au niveau des barres de siège (A). Appuyez sur les barres de siège vers le bas et vers l'extérieur. Les cadres latéraux glisseront séparément. Appuyez sur les barres de siège (B). Vous entendrez un click. Le déambulateur est maintenant verrouillé dans sa position ouverte.

Pliage : Tirez le ruban sur le siège (C) et appuyez sur les cadres latéraux. Verrouillez la bride (D) sur les barres de siège.

Transport du déambulateur : Le déambulateur ne doit pas être transporté par le ruban du siège ou par les câbles de frein. Pliez le déambulateur comme indiqué sur l'illustration (E). Portez le déambulateur par les barres de siège (F) lorsqu'il est plié.

4 Poignées / Fonction mémoire

Réglage de la hauteur : Tirez le levier (A) vers le haut et ajustez le tube de la poignée à une hauteur appropriée (B). Relâchez le levier et tirez légèrement le tube de la poignée vers le haut et vers le bas jusqu'à entendre un clic. Assurez-vous que le levier est orienté vers le bas (C). Réglez les deux poignées à la même hauteur en comparant l'échelle de chaque côté. *Il est recommandé que les poignées soient réglées à la même hauteur que vos poignets lorsque vos bras sont suspendus à côté de votre corps.*

Fonction mémoire : Décidez de la hauteur des poignées (voir l'échelle numérique). Comptez les trous visibles à l'arrière des tubes de la poignée. Dévissez la vis (D) sur le dessus de la pièce de fixation. Tirez le levier vers le haut (A) et retirez le tube (E) du cadre. La pièce de fixation (F) suivra alors le tube de la poignée. Déplacez la pièce de fixation (F) de manière à ce que le nombre de trous au-dessus corresponde au nombre précédemment compté. Insérez le clip mémoire rouge (G) dans le premier trou disponible sous la pièce de fixation (F). Tirez le levier vers le haut (A) et poussez le tube de la poignée (E) et la pièce de fixation (F) vers le bas et dans le cadre latéral (H). Revissez la vis (D) sur le dessus de la pièce de fixation. Tirez le levier vers le haut (A), tirez la poignée vers le haut jusqu'à ce qu'elle s'arrête, puis relâchez le levier. Désormais, lorsque les poignées sont en position basse, elles s'arrêteront à la position prédéfinie lorsqu'elles seront tirées vers le haut.

5 Freins

Assurez-vous que les freins fonctionnent avant chaque utilisation. Chaque levier de frein (A) actionne la roue arrière du même côté. *Ne conduisez pas et ne poussez pas le déambulateur pendant que les freins de stationnement sont activés !*

Freins de stationnement : Poussez les deux leviers de frein (A) vers le bas jusqu'à ce qu'elles se verrouillent. Les deux roues arrière sont maintenant bloquées. Tirez les deux leviers de frein vers le haut pour desserrer les freins de stationnement.

Freins de marche : Tirez les deux leviers de frein (B) vers le haut pour réduire la vitesse. *Ne pas utiliser en continu pendant que le déambulateur est en mouvement.*

Réglage / vérification : Desserrer l'écrou (C). Serrez le câble de frein (D) avec la vis de réglage (E). Ajustez les deux blocs de frein de sorte que la distance à la surface de la roue soit d'environ 1 mm (F), puis serrez l'écrou (C). Assurez-vous que les freins ne sont pas trop serrés et qu'ils n'appuient pas trop fort sur le caoutchouc des roues lorsque le frein de stationnement est verrouillé.

Entretien : Nettoyez fréquemment le bloc de frein (F) et le ressort de frein (G). Les roues et les freins peuvent être remplacés s'ils sont usés ou endommagés.

6 Siège

Le déambulateur dispose d'un siège en filet sûr et pratique, à travers lequel vous avez une vue sur le sol tout en marchant. Il peut facilement être essuyé avec un chiffon si nécessaire. Les freins de stationnement doivent être verrouillés avant d'utiliser le siège. Poussez les deux poignées de frein vers le bas jusqu'à ce qu'elles se verrouillent (A). Les deux roues arrière sont maintenant bloquées. Asseyez-vous le dos vers le filet à provision (B).

7 Protecteur de bord / Aide au basculement

Protecteur de bord : Les protecteurs de bord (A), qui sont à l'avant des roues arrière empêchent les roues arrière de s'accrocher dans les coins, les cadres de porte, etc.

Aide au basculement : Pour utiliser la fonction d'aide au basculement, utilisez l'avant du pied et appuyez sur la pédale (B), qui se trouve à côté de la roue arrière. Cela permet d'incliner le déambulateur pour franchir les seuils, les bords, etc. Remarque : soyez prudent lorsque vous passez un trottoirs etc.

Filet à provisions

Le filet peut contenir jusqu'à 10 kilos (modèle M & S) / 5 kilos (modèle X). Il peut être retiré et lavé délicatement jusqu'à 60 °C.

Transport

Le déambulateur doit être transporté en position pliée et verrouillée (voir paragraphe 3 Dépliage / Pliage). Assurez-vous que la bride de sécurité est fermée afin que le déambulateur ne puisse pas se déplier involontairement. Soyez prudent lorsque vous chargez le déambulateur dans un véhicule, en faisant attention à le fixer.

Stockage

Le déambulateur doit être rangé en position verticale. S'il est stocké à l'extérieur, il doit être mis sous une protection. Ne laissez pas votre déambulateur sans surveillance. Ne mettez pas d'objets lourds sur le déambulateur pendant le stockage.

Nettoyage

Le déambulateur peut être nettoyé à l'aide d'un chiffon humide. En cas d'accumulation de boue et de crasse, un chiffon avec un détergent de lavage doux peut être utilisé suivi d'un rinçage à l'eau tiède. N'utilisez pas de nettoyeurs haute pression et évitez de rincer directement contre les roulements à billes (dans les roues et les fourches avant). N'utilisez pas d'abrasifs ou de lavage à la vapeur. Séchez le déambulateur à l'aide d'un chiffon doux.

Désinfection

La désinfection ne doit être effectuée que par du personnel autorisé. Veuillez communiquer avec votre magasin de mobilité ou votre revendeur. Pendant la désinfection, un équipement de protection suffisant doit être porté et les instructions du fabricant du désinfectant doivent être suivies. La surface du déambulateur doit être nettoyée à l'aide d'un chiffon doux ou d'une éponge et d'un désinfectant chimique approuvé contenant de l'éthanol à 70 à 80 %. Nous déconseillons les désinfectants contenant du chlore ou du phénol. N'utilisez pas de désinfection thermique. *Le fabricant ne peut être tenu responsable des dommages ou blessures survenus à l'aide d'un désinfectant nocif ou d'une désinfection effectuée par du personnel non autorisé.*

Inspection / Entretien / Réutilisation

Il est recommandé d'effectuer régulièrement l'inspection et l'entretien (la fréquence est déterminée par la façon dont le déambulateur est utilisé et à quelle fréquence). Vérifiez les éléments suivants : cadre, vis, poignées, tubes de poignée, freins, pièces de frein, roues, siège et accessoires. Cela s'applique également lorsque le déambulateur doit être préparé pour être réutilisé. Veuillez consulter les instructions détaillées dans ce manuel d'utilisation sur l'entretien des freins et le nettoyage/désinfection. L'entretien recommandé n'est pas une exigence et aucun entretien préventif n'est requis à condition que le déambulateur soit utilisé conformément au présent manuel d'utilisation.

Matériaux / Recyclage

Le déambulateur est composé de tubes en aluminium revêtus de plastique, de raccords en plastique et de matériaux en plastique et en polyester. Des roulements à billes sont présents dans toutes les roues et fourches. La plupart des pièces de déambulateur peuvent être recyclées. Jetez le déambulateur et son emballage conformément à la réglementation applicable dans votre pays. Pour plus d'informations, veuillez contacter vos autorités publiques.

Garantie

TOPRO Troja Original est garanti exempt de défauts et de casse pendant 7 ans. Les dommages causés par une mauvaise utilisation ou des pièces exposées à l'usure naturelle (par exemple, bloc de frein, câble de frein, roue, panier, siège et poignée) sont exemptés de la garantie de 7 ans. Pour les réparations pendant la période de garantie, veuillez contacter votre magasin de mobilité local ou votre revendeur. La garantie est nulle si des pièces de rechange et des accessoires non autorisés ont été ou sont utilisés sur le produit. La durée de vie prévue du produit est estimée à 10 ans s'il est utilisé correctement conformément à ce manuel d'utilisation et à ses instructions de sécurité et d'entretien.

8 Étiquette du produit

- 1 - Fabricant
- 2 - Poids maximal de l'utilisateur
- 3 - Longueur maximale du déambulateur
- 4 - Largeur maximale / hauteur du déambulateur
- 5 - Dispositif médical
- 6 - Consultez le manuel d'utilisation (symbole bleu sur la nouvelle étiquette)
- 7 - Destiné à une utilisation à l'intérieur et à l'extérieur
- 8 - Nom du modèle
- 9 - Numéro de modèle
- 10 - Date de fabrication
- 11 - Numéro de série
- 12 - Numéro d'article du commerce mondial
- 13 - Marquage CE (Ce produit est conforme au règlement (UE) 2017/745 sur les dispositifs médicaux)
- 14 - Code GS1

Accessoires

	TOPRO Article No.
Ceinture dorsale avec rembourrage, 68 cm	815271
Ceinture dorsale avec rembourrage, 76 cm	815273
Tablette coulissante (non disponible pour la taille X)	814728
Tapis antidérapant pour tablette (non disponible pour la taille X)	814059
Porte-canne, noir	814040
Porte-boisson, noir	814043
Lampe LED avec clip et prise USB	815260
Parapluie avec fixation, noir	814068
Frein simultané à une main	814026
Poignée pour accompagnateur	814014
Sacoche supplémentaire (non disponible pour la taille X)	814046
Plaque d'identification	814024
Système de résistance au roulement, paire	814032
Sac de transport	814042
Panier pour bouteille d'oxygène (uniquement comprimé, pas liquide)	814009

Les accessoires montés sur le déambulateur peuvent influencer la stabilité, nous vous conseillons donc de les utiliser avec précaution. Les accessoires peuvent être commandés séparément pour permettre au TOPRO Troja Original d'être personnalisé en fonction des besoins individuels. Contactez votre magasin de mobilité, votre revendeur ou TOPRO pour un aperçu actualisé des accessoires disponibles, ou visitez notre page d'accueil topromobility.com.

Congratulazioni per avere acquistato il nuovo deambulatore TOPRO

Ogni deambulatore TOPRO è sviluppato, progettato e realizzato in Norvegia. Il prodotto è dichiarato conforme al Regolamento sui Dispositivi Medici (UE) 2017/745. È testato e approvato ai sensi della norma EN ISO 11199-2:2021. Al ricevimento della merce, si prega di controllare il prodotto. In caso di domande, contattare immediatamente il negozio o il rivenditore. In caso di problemi nella lettura di questo manuale utente, è disponibile una versione elettronica su topromobility.com.

Destinazione d'uso

TOPRO Troja Original è pensato per fornire supporto agli utenti con equilibrio ridotto e/o ridotte capacità di deambulazione. È progettato per essere spinto, non tirato. Il sedile integrato offre all'utente l'opportunità di riposarsi, se necessario. Il prodotto è destinato agli adulti. Sono previste restrizioni in termini di altezza e peso. *Controindicazioni: il prodotto non è adatto a persone con bassa resistenza nelle braccia, con un equilibrio carente o con notevoli disabilità cognitive. Il prodotto è progettato e approvato sia per uso interno che esterno. All'esterno il deambulatore è destinato ad essere un aiuto per camminare su strade e sentieri. Non è adatto in terreni accidentati e / o ripidi, né per le scale.*

Per conoscere il deambulatore e imparare a usarlo correttamente, si consiglia la formazione da parte di un professionista.

0 I cerchi numerati grigi in questo manuale utente si riferiscono alle grafiche informative numerate e alle illustrazioni all'interno della copertina

1 Conosci il tuo prodotto TOPRO

- | | |
|---|---|
| A Maniglia | G Sedile con cinturino per meccanismo pieghevole |
| B Leva freno | H Leva per la regolazione dell'altezza |
| C Tubo manopole | I Cestello |
| D Cavo freno | J Telaio laterale |
| E Barre del sedile / Maniglia di trasporto | K Blocco freno / Protezione dei bordi |
| F Morsetto di bloccaggio | L Funzione di inclinazione |
| | M Etichetta del prodotto |

2 Sicurezza

Quando si piega e si apre il deambulatore, procedere cautamente per non farsi male alle dita.

Non posizionare le dita in fori aperti o tra le parti fisse.

Assicurarsi che la leva per la regolazione dell'altezza delle maniglie sia ben bloccata.

Se il deambulatore è fermo o parcheggiato, assicurarsi che i freni di stazionamento su entrambi i lati siano in posizione bloccata (A).

Non utilizzare il deambulatore sulle scale. Fare attenzione quando si superano i cordoli, ecc.

Controllare i freni prima dell'uso ogni volta e che il deambulatore si blocchi in posizione aperta.

Non utilizzare il deambulatore per trasportare carichi pesanti o persone.

Tenere presente che alcune parti del deambulatore potrebbero risultare calde o fredde se esposte a temperature estreme.

Non modificare il prodotto in quanto ciò potrebbe costituire un rischio per la sicurezza e la garanzia diventerà nulla.

Prima di sedersi sul sedile (C), assicurarsi che i freni di stazionamento su entrambi i lati siano in posizione bloccata (A).

Per evitare il rischio di caduta, non sporgersi o piegarsi lateralmente o sul retro del deambulatore mentre si

è in posizione seduta. Non inclinare troppo il deambulatore lateralmente (D), per evitare il rischio di caduta. Per lo stesso motivo, le borse ecc. non devono mai essere appese alle manopole.

Per dare il giusto supporto e sicurezza, camminare dritto e assicurarsi che il deambulatore sia tenuto il più vicino possibile al corpo (E). Camminare tra le ruote posteriori (F), non dietro di esse (G).

Tenere presente che il deambulatore potrebbe avanzare più velocemente dell'utente in tratti in discesa, il che potrebbe generare un rischio di caduta. Attivare i freni di guida per regolare la velocità (B).

Prestare attenzione quando si indossano gonne o pantaloni larghi in quanto potrebbero rimanere impigliati nelle ruote, causando una caduta. Indossare calzature robuste per evitare lesioni.

Per motivi di sicurezza è vietato sedersi sul deambulatore a bordo di mezzi di trasporto pubblico. Stivare il deambulatore in modo sicuro e assicurarsi che i freni di stazionamento su entrambi i lati siano attivati (A).

Non utilizzare il deambulatore su superfici scivolose o ghiacciate.

Tenere il deambulatore lontano dal fuoco e dagli oggetti caldi.

Non usare il deambulatore, come supporto per raggiungere oggetti in alto.

3 Apertura / Chiusura

Apertura: rilasciare il morsetto di bloccaggio posizionato sulle barre del sedile (A). Premere le barre del sedile verso il basso e verso l'esterno. I telai laterali scorreranno separandosi. Premere verso il basso le barre del sedile (B). Si sentirà un "clic". Il deambulatore è ora bloccato nella sua posizione aperta.

Chiusura: tirare la cinghia sul sedile (C) e premere insieme i telai laterali. Bloccare il morsetto (D) sopra le barre del sedile.

Trasporto del deambulatore: il deambulatore non deve essere trasportato dalla cinghia di seduta o dai cavi dei freni. Piegarlo il deambulatore insieme come mostrato nell'illustrazione (E). Trasportare il deambulatore dalle barre del sedile (F) quando è piegato.

4 Maniglie / Funzione di memoria

Regolazione dell'altezza: Tirare la leva (A) verso l'alto e regolare il tubo della maniglia a un'altezza adeguata (B). Rilasciare la leva e muovere leggermente il tubo della maniglia su e giù fino a sentire un clic. Assicurarsi che la leva sia rivolta verso il basso (C). Regolare entrambe le maniglie alla stessa altezza confrontando la scala numerica su ciascun lato. *Si consiglia di impostare le maniglie alla stessa altezza dei polsi quando le braccia sono distese lungo corpo.*

Funzione di memoria: Decidere l'altezza delle maniglie (vedere la scala numerica). Contare i fori visibili sul retro dei tubi delle maniglie. Svitare la vite (D) nella parte superiore del pezzo di fissaggio. Tirare la leva verso l'alto (A) ed estrarre il tubo (E) dal telaio. Il pezzo di fissaggio (F) seguirà il tubo della maniglia. Spostare il pezzo di fissaggio (F) in modo che il numero di fori sopra di esso corrisponda al numero precedentemente contato. Inserire il chip di memoria rosso (G) nel primo foro disponibile sotto il pezzo di fissaggio (F). Tirare la leva verso l'alto (A) e spingere il tubo della maniglia (E) e il pezzo di fissaggio (F) verso il basso e all'interno del telaio laterale (H). Montare la vite (D) nella parte superiore del pezzo di fissaggio. Tirare la leva verso l'alto (A) e tirare la maniglia verso l'alto fino a fermarsi, quindi rilasciare la leva. Da questo momento in poi, quando le maniglie saranno nella posizione più bassa, si fermeranno nella posizione preimpostata quando verranno sollevate.

5 Freni

Assicurati che i freni funzionino prima di ogni viaggio. Ogni leva del freno (A) agisce su ciascuna delle ruote posteriori. *Non guidare o spingere il deambulatore mentre i freni di stazionamento sono in uso!*

Freni di stazionamento: spingere entrambe le leve del freno (A) verso il basso sino al loro bloccaggio. Entrambe le ruote posteriori sono ora bloccate. Premere entrambe le leve del freno verso l'alto per rilasciare i freni di stazionamento.

Freni di guida: tirare entrambe le leve del freno (B) verso l'alto per ridurre la velocità. *Non utilizzare continuamente mentre il deambulatore è in movimento.*

Regolazione / controllo: allentare il dado (C). Stringere il cavo del freno (D) con la vite di regolazione (E). Regolare entrambi i blocchi dei freni in modo che la distanza dalla superficie della ruota sia di circa 1 mm (F), quindi stringere il dado (C). Assicurarsi che i freni non siano regolati troppo stretti e non premano eccessivamente contro la gomma delle ruote quando il freno di stazionamento è attivo.

Manutenzione: pulire frequentemente il blocco freno (F) e la molla del freno (G). Le ruote e i freni possono essere sostituiti se sono usurati o danneggiati.

6 Sedile

Il deambulatore ha un sedile a rete sicuro e conveniente che consente di vedere il terreno mentre si cammina. Può essere facilmente pulito con un panno, se necessario. I freni di stazionamento devono essere attivati prima di utilizzare il sedile. Spingere entrambe le leve del freno verso il basso sino al bloccaggio (A). Entrambe le ruote posteriori sono ora bloccate. Sedersi con la schiena rivolta verso il cestello (B).

7 Protezione dei bordi / Funzione di inclinazione

Protezione dei bordi: le protezioni dei bordi (A), che si trovano davanti alle ruote posteriori, impediscono alle ruote posteriori di sbattere contro angoli, telai delle porte, ecc.

Funzione di inclinazione: per utilizzare la funzione di inclinazione utilizzare la parte anteriore del piede e premere verso il basso sul pedale di inclinazione (B), che si trova accanto alla ruota posteriore. Questo aiuta a inclinare il deambulatore oltre soglie, bordi ecc. Nota: fare attenzione quando si superano i cordoli, ecc.

Cestello

Il cestello può contenere fino a 10 chili (modello M & S) / 5 chili (modello X). Può essere rimosso e lavato delicatamente fino a 60 °C.

Trasporto

Il deambulatore deve essere trasportato in posizione piegata e bloccata (vedi *paragrafo 3 Apertura / Chiusura*). Assicurarsi che il morsetto di blocco sia attivo, in modo che il deambulatore non possa aprirsi involontariamente. Fare attenzione quando si carica il deambulatore in un veicolo, accertandosi del suo fissaggio.

Conservazione quando non in uso

Il deambulatore deve essere riposto in posizione verticale. Se conservato all'aperto deve essere posto sotto una copertura per proteggerlo. Non lasciare il deambulatore incustodito. Non mettere oggetti pesanti sopra il deambulatore quando è riposto.

Pulizia

Il deambulatore può essere pulito con un panno umido. In caso di accumulo di fango e sporcizia, è possibile utilizzare un panno con un detergente per lavaggio delicato seguito da risciacquo con acqua tiepida. Non utilizzare idropultrici ed evitare il lavaggio diretto contro i cuscinetti a sfera (nelle ruote e nelle forcelle anteriori). Non utilizzare abrasivi o lavare a vapore. Asciugare il deambulatore usando un panno morbido.

Disinfezione

La disinfezione deve essere effettuata solo da personale autorizzato. Si prega di contattare il rivenditore locale o il centro di assistenza alla mobilità. Durante la disinfezione devono essere indossati dispositivi di protezione sufficienti e devono essere seguite le istruzioni del produttore del disinfettante. Le superficie del deambulatore devono essere pulite con un panno morbido o una spugna e un disinfettante chimico approvato contenente il 70-80 % di etanolo. Sconsigliamo disinfettanti contenenti cloro o fenolo. Non utilizzare la disinfezione termica. *Il produttore non può essere ritenuto responsabile per eventuali danni o lesioni verificatisi utilizzando disinfettanti dannosi o per la disinfezione effettuata da personale non autorizzato.*

Ispezione / Manutenzione / Riutilizzo

Si raccomanda di eseguire regolarmente l'ispezione e la manutenzione (la frequenza è determinata da come e con quale frequenza viene utilizzato il deambulatore). Controllare i seguenti elementi: telaio, viti, maniglie, tubi di maniglia, freni, parti dei freni, ruote, sedile e accessori. Ciò vale anche quando il deambulatore deve essere preparato per il riutilizzo. Si prega di consultare le istruzioni dettagliate in questo manuale utente sulla manutenzione dei freni e la pulizia / disinfezione. La manutenzione raccomandata non è un requisito e non è richiesta alcuna manutenzione preventiva a condizione che il deambulatore venga utilizzato come previsto secondo questo manuale utente.

Materiale / Riciclaggio

Il deambulatore è costituito da tubi in alluminio plastificati, giunti in plastica e materiale in plastica e poliestere. Ci sono cuscinetti a sfere in tutte le ruote e forcelle. La maggior parte delle parti del deambulatore può essere riciclata. Smaltire il deambulatore e il suo imballaggio secondo le normative applicabili nel proprio paese. Per informazioni, si prega di contattare le autorità pubbliche.

Garanzia

TOPRO Troja Original è garantito privo di difetti per 7 anni. I danni causati da un uso scorretto o le parti esposte all'usura naturale (ad es. blocco freno, cavo del freno, ruota, cestello, sedile e maniglia) sono escluse dalla garanzia di 7 anni. Per le riparazioni durante il periodo di garanzia, contattare il negozio o il rivenditore di mobilità locale. La garanzia è nulla se pezzi di ricambio e accessori non autorizzati sono stati o vengono utilizzati sul prodotto. La durata prevista del prodotto è stimata in 10 anni se viene utilizzato nel modo corretto secondo questo manuale d'uso e le sue istruzioni di sicurezza e manutenzione.

8 Etichettatura CE

- 1 - Fabbricante
- 2 - Peso massimo dell'utente
- 3 - Lunghezza massima del deambulatore
- 4 - Larghezza massima / altezza del deambulatore
- 5 - Dispositivo Medico
- 6 - Consultare le istruzioni per l'uso (icona blu sulla nuova etichetta)
- 7 - Destinato all'uso interno ed esterno
- 8 - Nome del modello
- 9 - Numero di modello
- 10 - Data di fabbricazione
- 11 - Numero di serie
- 12 - Numero dell'articolo del commercio globale (GTIN)
- 13 - Marcatura CE (Questo prodotto è conforme al Regolamento sui Dispositivi Medici (UE) 2017/745)
- 14 - GS1 DataMatrix

Accessori

	Numero articolo TOPRO
Supporto schienale con imbottitura, 68 cm	815271
Supporto schienale con imbottitura, 76 cm	815273
Vassoio (NB: non per la taglia X)	814728
Tappetino antiscivolo per vassoio (NB: non per taglia X)	814059
Porta stampelle, nero	814040
Portabottiglia, nero	814043
Lampada a LED con clip-on e spina USB	815260
Ombrello con attacco, nero	814068
Freno con una sola mano	814026
Maniglia di guida per ipovedenti	814014
Borsa posteriore con cerniera (NB: non per la taglia X)	814046
Borsa di trasporto	814042
Targhetta	814024
Sistema di resistenza al rotolamento, coppia	814032
Cestello per bombola di ossigeno (solo compresso, non liquido)	814009

Gli accessori montati sul deambulatore possono influenzare la stabilità, consigliamo quindi di usarli con cura. Gli accessori possono essere ordinati separatamente per consentire a TOPRO Troja Original di essere personalizzato in base alle esigenze individuali. Contatta il tuo negozio di mobilità, rivenditore o TOPRO per una panoramica aggiornata degli accessori disponibili o visita la nostra homepage topromobility.com.

Felicitaciones con su elección de un nuevo rollator TOPRO

Cada rollator TOPRO se desarrolla, diseña y fabrica en Noruega. El producto cumple con el Reglamento de Dispositivos Médicos (UE) 2017/745. Está probado y aprobado según EN ISO 11199-2:2021. Al recibir los productos, verifique su producto. Si tiene alguna pregunta, póngase en contacto con su tienda de movilidad o distribuidor de inmediato. Si tiene problemas para leer este manual de usuario, hay una versión electrónica disponible en topromobility.com.

Uso previsto

El TOPRO Troja Original dará soporte a los usuarios con equilibrio reducido y / o capacidad de caminar reducida. Está diseñado para ser empujado, no tirado. El asiento integrado ofrece una oportunidad para que el usuario descanse si es necesario. El usuario previsto es un adulto. Se aplican restricciones de altura y peso. *Contraindicaciones: El producto no es adecuado para personas con baja fuerza en brazos, con muy mal equilibrio o con discapacidades cognitivas considerables. El producto está diseñado y aprobado tanto para uso en interiores como en exteriores. Al aire libre, el rollator está destinado a ser una ayuda para caminar por caminos y caminos. No es adecuado en terrenos accidentados y/o escarpados, ni para escaleras.*

Para conocer el rollator y aprender a usarlo correctamente, se recomienda la formación por parte de un profesional.

0 Los círculos numerados grises en este manual de usuario se refieren al gráfico de información numerada y las ilustraciones dentro de la cubierta

1 Conozca su producto TOPRO

- | | |
|---|---|
| A Asa | H Palanca de ajuste de altura |
| B Palanca de freno | I Canasta |
| C Tubo de mango | J Marco lateral |
| D Cable de freno | K Bloque de freno / Protector de borde |
| E Barras de asiento / Asa de transporte | L Función de inclinación |
| F Abrazadera de bloqueo | M Etiqueta del producto |
| G Asiento con correa para mecanismo plegable | |

2 Seguridad

Al doblar y desplegar el rollator, tenga en cuenta para no lastimarse los dedos.

Tenga en cuenta no poner los dedos en agujeros abiertos o entre partes estacionarias.

Asegúrese de que la palanca de ajuste de la altura de las empuñaduras esté firmemente bloqueada.

Cuando esté parado o estacionado, asegúrese de que los frenos de estacionamiento en ambos lados estén activados (A).

No use el rollator en las escaleras. Tenga cuidado al pasar por los bordillos, etc.

Compruebe los frenos antes de usarlos cada vez, y que el rollator se bloquee en posición desplegada.

No utilice el rollator para transportar cargas pesadas o personas.

Tenga en cuenta que algunas partes del rollator pueden sentirse calientes o frías cuando se exponen a temperaturas extremas.

No modifique el producto, ya que esto podría poner en riesgo su seguridad y la garantía se anulará.

Antes de sentarse en el asiento (C), asegúrese de que los frenos de estacionamiento en ambos lados estén activados (A).

Para reducir el riesgo de caídas, no se incline ni se doble hacia los lados o sobre la parte posterior del rollator mientras esté

sentado. No incline el rollator demasiado hacia los lados (D), para evitar el riesgo de caídas. Por la misma razón, las bolsas, etc., nunca deben colgarse en las asas.

Para dar el soporte y la seguridad adecuados, camine recto y asegúrese de que el rollator se mantenga lo más cerca posible de su cuerpo (E). Camina entre las ruedas traseras (F), no detrás de ellas (G).

Tenga en cuenta que el rollator puede rodar más rápido que usted al caminar cuesta abajo, lo que puede ponerlo en riesgo de caerse. Active los frenos de conducción para ajustar la velocidad (B).

Tenga cuidado al usar faldas o pantalones revoloteantes, ya que podrían quedar atrapados en las ruedas, lo que podría provocar caídas. Use calzado resistente para evitar lesiones.

Por razones de seguridad está prohibido sentarse en el rollator durante el transporte público. Guarde su rollator de forma segura y asegúrese de que los frenos de estacionamiento en ambos lados estén activados (A).

No utilice el rollator en superficies resbaladizas o heladas.

Mantenga el rollator alejado del fuego y de los artículos calientes.

No se suba al rollator.

3 Despliegue / Plegado

Despliegue: Suelte la abrazadera de bloqueo colocada en las barras del asiento (A). Presione las barras del asiento hacia abajo y hacia afuera. Los marcos laterales se deslizarán por separado. Presione hacia abajo las barras del asiento (B). Escuchará un sonido de clic. El rollator ahora está bloqueado en su posición abierta.

Plegable: Tire de la correa del asiento (C) y presione los marcos laterales juntos. Bloquee la abrazadera (D) sobre las barras del asiento.

Transporte del rollator: El rollator no debe ser transportado por la correa del asiento o los cables del freno. Doble el enrollador como se muestra en la ilustración (E). Lleve el rodillo por las barras del asiento (F) cuando esté plegado.

4 Manijas / Función de memoria

Ajuste de altura: Tire de la palanca (A) hacia arriba y ajuste el tubo de la manija a una altura adecuada (B). Suelte la palanca y mueva ligeramente el tubo de la manija hacia arriba y hacia abajo hasta escuchar un clic. Asegúrese de que la palanca esté en posición hacia abajo (C). Ajuste ambas manijas a la misma altura comparando la escala numérica en cada lado. *Se recomienda que las asas estén ajustadas a la misma altura que las muñecas cuando los brazos cuelgan junto a su cuerpo.*

Función de memoria: Decida la altura de las manijas (ver escala numérica). Cuente los agujeros visibles en la parte posterior de los tubos de las manijas. Desatornille el tornillo (D) en la parte superior de la pieza de fijación. Tire de la palanca hacia arriba (A) y retire el tubo (E) del marco. La pieza de fijación (F) seguirá el tubo de la manija. Mueva la pieza de fijación (F) de modo que el número de agujeros por encima coincida con el número contado previamente. Inserte el chip de memoria rojo (G) en el primer agujero disponible debajo de la pieza de fijación (F). Tire de la palanca hacia arriba (A) y empuje el tubo de la manija (E) y la pieza de fijación (F) hacia abajo en el marco lateral (H). Coloque el tornillo (D) en la parte superior de la pieza de fijación. Tire de la palanca hacia arriba (A) y tire de la manija hacia arriba hasta que se detenga, y luego suelte la palanca. A partir de ahora, cuando las manijas estén en la posición más baja, se detendrán en la posición preestablecida al ser levantadas.

5 Frenos

Asegúrese de que los frenos estén funcionando antes de cada viaje. Cada palanca de freno (A) funciona en cada una de las ruedas traseras. *¡No conduzca ni empuje el rollator mientras los frenos de estacionamiento están activados!*

Frenos de estacionamiento: Empuje ambas palancas de freno (A) hacia abajo hasta que se bloqueen. Ambas ruedas traseras ahora están bloqueadas. Apriete ambas palancas de freno hacia arriba para liberar los frenos de estacionamiento.

Frenos de conducción: Tire de ambas palancas de freno (B) hacia arriba para reducir la velocidad. *No lo use continuamente mientras el rollator esté en movimiento.*

Ajuste / comprobación: Afloje la tuerca (C). Apriete el cable del freno (D) con el tornillo de ajuste (E). Ajuste ambos bloques de freno para que la distancia a la superficie de la rueda sea de aproximadamente 1 mm (F) y luego apriete la tuerca (C). Asegúrese de que los frenos no estén demasiado ajustados y presione con fuerza la goma de las ruedas cuando el freno de estacionamiento esté encendido.

Mantenimiento: Limpie el bloque de freno (F) y el resorte de freno (G) regularmente. Las ruedas y los frenos se pueden reemplazar si están desgastados o dañados.

6 Asiento

El rollator tiene un asiento de malla seguro y conveniente, que proporciona vista al suelo mientras camina. Se puede limpiar fácilmente con un paño si es necesario. Los frenos de estacionamiento deben activarse antes de usar el asiento. Empuje ambas palancas de freno hacia abajo hasta que se bloqueen (A). Ambas ruedas traseras ahora están bloqueadas. Siéntate de espaldas hacia la canasta (B).

7 Protector de borde / Función de inclinación

Protector de borde: Los protectores de borde (A), que están delante de las ruedas traseras, evitan que las ruedas traseras se enganchen en las esquinas, marcos de las puertas, etc.

Función de inclinación: Para usar la función de inclinación, use la parte delantera del pie y presione hacia abajo el pedal de inclinación (B), que está al lado de la rueda trasera. Esto ayuda a inclinar el rollator sobre umbrales, bordes, etc. Tenga en cuenta: Tenga cuidado al pasar por los bordillos, etc.

Canasta

La cesta tiene capacidad para 10 kilos (modelo M&S) / 5 kilos (modelo X). Se puede quitar y lavar suavemente hasta 60 °C.

Transporte

El rollator debe transportarse en la posición plegada y bloqueada (ver sección 3 Despliegue / Plegado). Asegúrese de que la abrazadera de bloqueo esté encendida, de modo que el rollator no pueda desplegarse involuntariamente. Tenga cuidado al cargar el rollator en un vehículo, prestando atención a asegurarlo.

Almacenamiento

El rollator debe almacenarse en posición vertical. Si se almacena al aire libre, debe estar debajo de una cubierta para protegerlo. No deje su rollator desatendido. No coloque artículos pesados encima del rollator durante el almacenamiento.

Limpieza

El rollator se puede limpiar con un paño húmedo. En caso de acumulación de barro y suciedad, se puede usar un paño con un detergente de lavado suave seguido de un enjuague con agua tibia. No utilice limpiadores de alta presión y evite enjuagar directamente contra los rodamientos de bolas (en ruedas y horquillas delanteras). No use abrasivos ni lavados a vapor. Seque el rollator con un paño suave.

Desinfección

La desinfección solo debe ser realizada por personal autorizado. Póngase en contacto con su concesionario local o centro de ayuda a la movilidad. Durante la desinfección se debe usar suficiente equipo de protección y se deben seguir las instrucciones del fabricante del desinfectante. La superficie del rollator debe limpiarse con un paño o esponja suave y un desinfectante químico aprobado que contenga etanol al 70–80 %. Aconsejamos no desinfectar que contenga cloro o fenol. No use desinfección por calor. *El fabricante no se hace responsable de ningún daño o lesión ocurrida con desinfectante o desinfección dañina llevado a cabo por personal no autorizado.*

Inspección / Mantenimiento / Reutilización

Se recomienda que la inspección y el mantenimiento se lleven a cabo regularmente (la frecuencia está determinada por cómo y con qué frecuencia se utiliza el rollator). Compruebe los siguientes elementos: Marco, tornillos, asas, tubos de mango, frenos, piezas de freno, ruedas, asiento y accesorios. Esto también se aplica cuando el rollator debe prepararse para su reutilización. Consulte las instrucciones detalladas en este manual de usuario sobre el mantenimiento de los frenos y la limpieza/desinfección. El mantenimiento recomendado no es un requisito, y no se requiere mantenimiento preventivo siempre que el rollator se utilice según lo previsto de acuerdo con este manual del usuario.

Material / Reciclaje

El rollator está hecho de tubos de aluminio recubiertos de plástico, acoplamientos de plástico y material hecho de plástico y poliéster. Hay rodamientos de bolas en todas las ruedas y horquillas. La mayoría de las piezas del rollator se pueden reciclar. Deseche el enrollador y su embalaje de acuerdo con la normativa aplicable en su país. Para obtener información, póngase en contacto con sus autoridades públicas.

Garantía

TOPRO Troja Original está garantizado libre de fallos y defectos durante 7 años. Los daños causados por un uso incorrecto o las piezas que están expuestas al desgaste natural (por ejemplo, bloque de freno, cable de freno, rueda, cesta, asiento y mango) están exentos de la garantía de 7 años. Para reparaciones durante el período de garantía, póngase en contacto con su tienda de movilidad o distribuidor local. La garantía es nula si se han utilizado o se están utilizando piezas de repuesto o accesorios no autorizados en el producto. La vida útil esperada del producto se estima en 10 años si se utiliza de la manera correcta de acuerdo con este manual de usuario y sus instrucciones de seguridad y mantenimiento.

8 Etiqueta del producto

- 1 - Fabricante
- 2 - Peso máximo del usuario
- 3 - Longitud máxima del rollator
- 4 - Anchura / altura máxima del rollator
- 5 - Dispositivo médico
- 6 - Consulte las instrucciones de uso (icono azul en la nueva etiqueta)
- 7 - Destinado para uso en interiores y exteriores
- 8 - Nombre del modelo
- 9 - Número de modelo
- 10 - Fecha de fabricación
- 11 - Número de serie
- 12 - Número de artículo comercial global
- 13 - Marcado CE (Este producto cumple con el Reglamento de Dispositivos Médicos (UE) 2017/745)
- 14 - GS1 DataMatrix

Accesorios

	Artículo TOPRO No.
SopORTE trasero con acolchado, 68 cm	815271
SopORTE trasero con acolchado, 76 cm	815273
Bandeja (NB: no para la talla X)	814728
Alfombra antideslizante para bandeja (NB: no para la talla X)	814059
SopORTE de muleta, negro	814040
Portabotellas, negro	814043
Lámpara LED con clip-on y enchufe USB	815260
Paraguas con sujeción, negro	814068
Freno con una sola mano	814026
Mango guía para personas con discapacidad visual	814014
Bolsa trasera con cremallera (NB: no para la talla X)	814046
Bolsa de transporte	814042
Etiqueta de nombre	814024
Sistema de resistencia al balanceo, par	814032
Cesta para botella de oxígeno (solo comprimida, no líquida)	814009

Los accesorios montados en el rollator pueden influir en la estabilidad, por lo tanto, le recomendamos que los use con cuidado. Los accesorios se pueden pedir por separado para permitir que TOPRO Troja Original se personalice según las necesidades individuales. Póngase en contacto con su tienda de movilidad, distribuidor o TOPRO para obtener una visión general actualizada de los accesorios disponibles o visite nuestra página de inicio topromobility.com.

TOPRO rollators are developed, designed and manufactured in Norway by:

TOPRO Industri AS

Rambekkveien 1, NO-2816 Gjøvik, Norway

(+47) 61 13 46 00 info@topromobility.com

www.topromobility.com



Distributor / dealer

Learn more



topromobility.com

