

ECLIPSE USER MANUAL

Eclipse



INDEX

1. Introduction.....	3
2. Safety information	3
2.1. Before driving	3
2.2. While driving	4
2.3. Labeling	5
3. The parts of the scooter	6
4. Operation	7
4.1. How to operate your scooter	7
4.2. How to set the parking brake	13
4.3. Handlebar adjustment	14
5. Batteries and charger	16
5.1. Charge the batteries	16
5.2. Charger	18
5.3. Battery	18
6. Inspection and maintenance	19
6.1. Daily checks	19
6.2. Regular record of reviews	20
6.3. Battery, brake and tire circuit	20
6.4. Maintenance	21
6.5. Storage	22
7. Basic troubleshooting	22
8. Specifications	24
9. Warranty	25
10. Tips for safe driving of the scooter	26
11. User registration	30

1. INTRODUCTION

Thank you and congratulations for purchasing your new mobility scooter from Ayudas Dinámicas, SL




We are pleased to provide you with safe and comfortable products. Our goal is to ensure your complete satisfaction. We sincerely hope you enjoy your Mobility Scooter from Ayudas Dinámicas, SL

Please read the warnings and instructions provided in the instruction manual carefully before operating the various functions of this Scooter.

This manual includes operating instructions for every aspect of the scooter, assembly / assembly instructions, as well as a guide and tips for safe use.

This manual is written for your Eclipse only.

The symbols used in this manual are explained below. Read carefully, especially the parts marked with these symbols

 Warning	Improper use can cause serious damage.
 Caution	Improper use can cause damage.
 Suggestion	Follow these instructions to keep the scooter running correctly.

Please keep this manual in a safe place for future use.

If someone else uses the scooter, please be sure to provide them with the instruction manual for the scooter you purchased. The manufacturer reserves the right to make design modifications without prior notice.

2. SAFETY INFORMATION

2.1 BEFORE DRIVING

You should be familiar with the operation of this scooter before riding it, therefore keep these safety notices in mind.

The same traffic rules for pedestrians apply to the use of this scooter.

For your safety and that of others, please observe the rules that apply to pedestrians.

- Ride on the pavement / sidewalk, park paths or pedestrian areas. Only ride your scooter on the road when crossing or if there are no existing sidewalks.
- At the end of a sidewalk, be aware of traffic on the road.

- Be very careful when riding your scooter where there is heavy traffic and busy pedestrian areas.
- Do not use your scooter after drinking alcohol, when you feel tired or under medication.
- Do not use your scooter at night.
- Always follow the pedestrian traffic lights.

Practice driving your scooter

Until you are familiar with the operation of your scooter, please practice in a wide, open area, such as a park. To prevent the possibility of falling off your scooter while riding, be aware of your physical condition. Be careful when accelerating, braking, turning, reversing and moving up and down slopes.

- Please set the speed selector to the lowest speed during initial practice.
- Make sure someone accompanies you and watches the traffic when driving for the first time.
- Make sure you are able to control and operate your scooter safely and confidently before shifting to a higher gear.

The eclipse is strictly limited to a single passenger. Do not carry passengers on your scooter, **included children.**

Do not use this scooter to carry or transport excessively heavy goods.

The maximum weight you can carry is (including goods) 135kg / 300lbs. The maximum load weight of the basket is 3kg / 6lbs.

2.2 WHILE DRIVING

Please carry out daily inspections. See the "daily check" section.

Do not stretch your body off the scooter.

Such action can cause you to lose your balance or be injured. Pay attention to loose clothing, they could get caught in the wheels.

Use extreme caution in the following circumstances and do not use your scooter when conditions are too dangerous.

Uneven or shaky ground, for example, mud, loose gravel, potholes, snow, or a canal.

Avoid holes where the wheels can get caught.

Do not drive at night or during unfavorable weather conditions. Do not make sharp turns.

Don't get on an escalator.

Mobile phones and other electrical equipment.

Do not use a mobile phone or other wireless communication device while driving, although it is always helpful to carry one with you in an emergency.

Do not charge a mobile phone or other electrical devices from your scooter.

Ramps, slopes and potholes.

Be careful when driving down a steep ramp. See Slope Angle section in section 8 SPECIFICATIONS.

When climbing a sloping road, please drive slowly and carefully. When going down a hill, do not reverse your scooter, put the speed selector at a low speed.

Do not drive through holes in the road. See the MAX section. DISTANCE TO THE GROUND.

Avoid deep water.

Please drive slowly when driving on bumpy roads. Do not make sharp turns when driving on gravel roads or ramps.



WARNING! Do not put the vehicle in "freewheel" mode (disengaged) when driving uphill or downhill.

Maximum user weight limit

See section MAX. LOAD WEIGHT in section 8. Overloading the scooter can lead to a malfunction and is a safety hazard. The warranty does not cover damage due to overcharging.

2.3 LABELING

Please read all the labeling on the scooter before riding it. For your future need, do not remove them.



WARNING!

- **Do not operate the scooter unless the handlebar column is upright and locked in place.**
- **Do not lean against or forward on the handlebars while getting on or off the motorcycle. Serious damage or injury may occur to you. Rotate the seat and mount and dismount in a controlled manner.**
- **The manufacturer disclaims liability for personal injury or material damage that may occur as a result of improper and unsafe use of the product.**

IMPORTANT ANNOUNCEMENT

- **Make sure the speed control lever is not depressed before starting your scooter.**
- **In order to avoid injury or damage to the scooter, the rider must not lean on or pull the control lever while going up or down a slope.**

3. THE PARTS OF THE SCOOTER

1. Control panel	11. Battery meter
2. Basket	12. Horn button
3. Handlebar adjustment	13. Speed dial
4. Handle for lifting by hand	14. Speed control levers
5. Removable folding armrest	15. Diagnostic light and power ON / OFF
6. Removable swivel seat with folding backrest	16. Key
7. Device connection	17. Handlebar grips
8. Battery	18. "Freewheel" mode lever (clutch)
9. Charging plug	19. Anti-tip wheels
10. Handlebar lock	





4. OPERATION

4.1 HOW TO USE YOUR SCOOTER

Ignition switch

Turn the key to turn ON or OFF:
Unit turns on Unit
OFF: turns off



Forward, backward and braking.

- Push the speed control lever on your right forward with your right thumb and the scooter will move forward.
- Push the speed control lever of your left lever forward with your left thumb and the scooter will move backwards.
- If desired, you can hold the handlebar with your right and use your left hand to pull the lever towards you to move forward.
- If you wish, you can hold the handlebar with your left and use your right hand to pull the lever towards you to go backwards.
- The horn will beep when the scooter is in reverse.
- If you release the speed control lever in either direction, forward or backward, the electromagnetic engine brake will activate and stop the scooter.
- Your scooter can be adapted to allow a left-handed steering wheel. If this has been done, ignore points 1 and 2. The left thumb will control the forward movement and the reverse movement of the right thumb.

Horn button

The horn is activated when the button is pressed, release the button, and the sound will stop.

Braking

Electromagnetic brake: Release the throttle lever, the electromagnetic brake will be activated.



WARNING!

Never try to drive, or even sit in your vehicle while it is "freewheeling" (disengaged) (automatic engine brake off). The braking electronics will be disabled and the vehicle could roll uncontrollably.

Seat

The seat can be rotated 90 degrees. Pull the swivel seat lever to rotate the seat.

The seat has 4 height adjustments.

After adjusting the height to the desired position for the seat, secure it with the safety pin.

? CAUTION!

Make sure the seat is locked straight ahead before driving.

Handlebar lock

The scooter has a handlebar lock function, press and turn the handlebar lock button to lock it, see fig. 4.1.1. Turn the knob to the left to unlock the handlebar, see fig. 4.1.2. This is only to be used when the scooter is disassembled, either for transport or storage.



Fig. 4.1.1 Lock mode.



4.1.2 Unlock mode

? CAUTION!

Never ride the scooter with the handlebar in the locked position.

Parts

The scooter can be disassembled into five parts: the seat, the front, the basket, the battery, and the rear section.



- Place the scooter in an area where you have enough space to move the parts around. You may need help removing some of the components from the scooter.
- See "Specifications" for individual component weights.
- No tools are required to disassemble or assemble your scooter. It can always be disassembled or mounted on a level, dry surface with enough room to work and move around your scooter. Note that the sections removed from the scooter take up more space than those mounted on the scooter.

? CAUTION!

Lifting weight beyond your physical capacity can result in personal injury. Ask for help when necessary when disassembling or assembling your scooter.

Disassembly

1. Turn the key to "OFF".
2. Rotate the handlebar lock to the locked position.
3. The handlebar column can be tilted downwards (see Fig. 4.1.3).
4. Make sure the wheel "Freewheel" (clutch) mode lever is in the drive position (automatic engine brake engaged).
5. Pull up on the rotary release lever to remove the seat from the seat tube.
6. Lift the battery and remove it from the scooter. (See Fig. 4.1.3)
7. After pushing the connecting device up, pull the front part forward. (Fig. 4.1.4 and Fig. 4.1.5)



Fig. 4.1.3

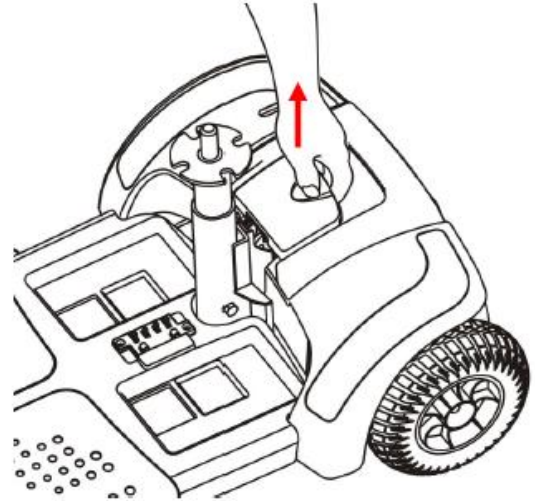


Fig. 4.1.4

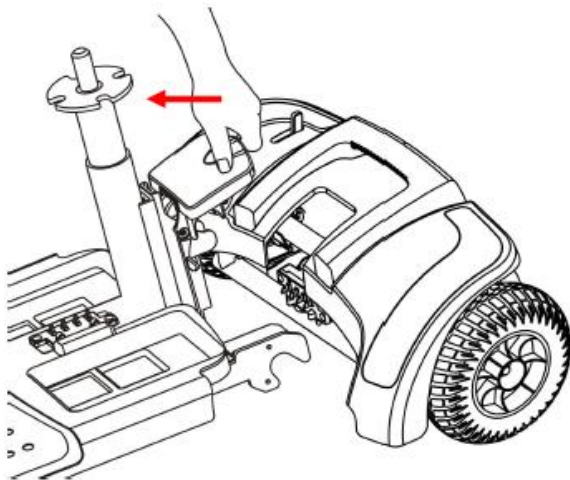


Fig. 4.1.5

Assembly / assembly

Note: Raise the handlebars before getting back on the bike.

1. Make sure the "Freewheel" (clutch) mode lever is in the drive position.
2. Fit the rear section at the top and make sure the front section hook is connected to the rear section shaft. (See figure 4.1.6).

3. Adjust the front and rear sections (See figure 4.1.7)
4. Put the battery in the scooter and make sure it is in the correct position.
5. Adjust the seat on the anchor tube until the steering lock clicks.
6. Turn the key to "ON", make sure the battery indicator has sufficient charge.

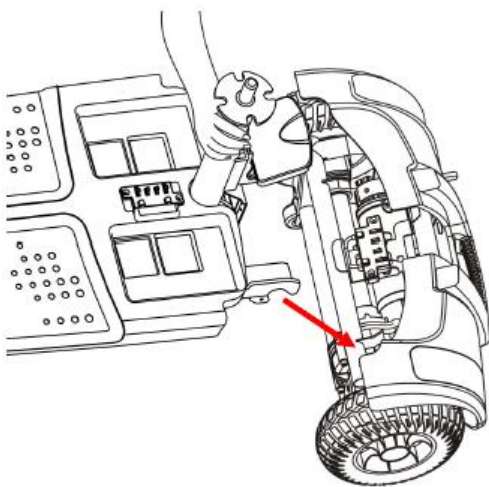


Fig 4.1.6

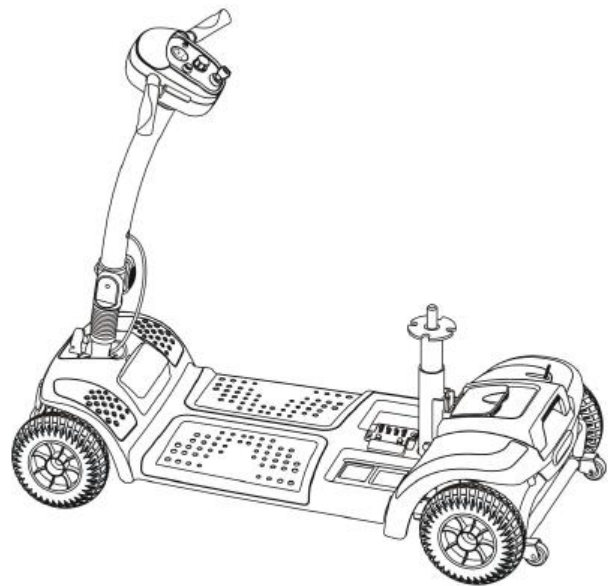


Fig 4.1.7

? CAUTION!

- Make sure that all the parts are fitted well.
- Turn off the switch with your scooter's key and remove the key to avoid accidents before disassembling or assembling the scooter.
- Be very careful and take precautions to avoid entrapment of fingers during assembly.
- Make sure all parts are fully and correctly installed before riding.

Battery meter

When the key is "ON", the battery indicator shows the battery charge capacity by indicating red, yellow and green areas, respectively.



The green zone indicates a full battery charge. The red color indicates the low load zone.

The remaining energy indicated by the indicator may vary by time and type of driving. Repeated starts, stops or rises consume energy more quickly.

 **SUGGESTION**

- It is recommended to charge the battery immediately when the battery indicator is in the red zone.

- After charging or replacing a new battery, drive the scooter for 2-3 minutes to ensure that the battery capacity is sufficient.

- In winter the battery may take longer to charge and the travel distance may be shortened.

When driving on an incline, the battery indicator light may turn from green to red, this is normal, please don't worry.

Even if the battery is used correctly, it is natural for the battery capacity to deteriorate over time, thus resulting in a shortened travel distance compared to a new battery. So, when you see that the travel distance is only about 50% of the travel distance of a new battery, it is time for a replacement. Please go to your dealer and request replacement. Continuing to use the battery when its useful life has expired could result in a decrease in travel distance.

Travel distance is shortened when driving frequently on slopes, as this leads to higher energy consumption.

4.2 HOW TO SET FREE WHEEL MODE **Driving mode**

Push the "Freewheel" (clutch) lever of the scooter towards the rear of the motorcycle and the scooter will be driven by the motor.

Freewheel mode (disengaged)

(Fig. 4.2.2): Push the Freewheel lever forward of the scooter and the scooter can be pushed manually.

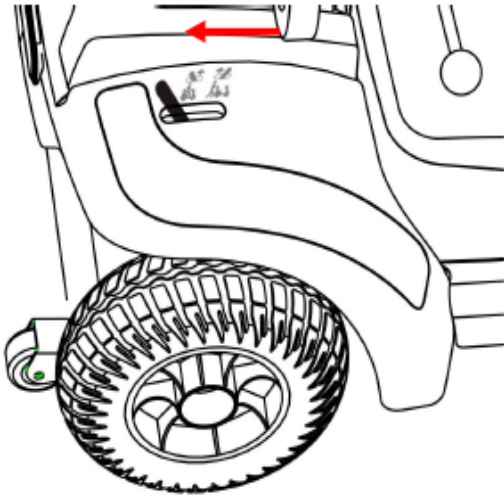


Fig. 4.2.1 Driving mode
(clutched)

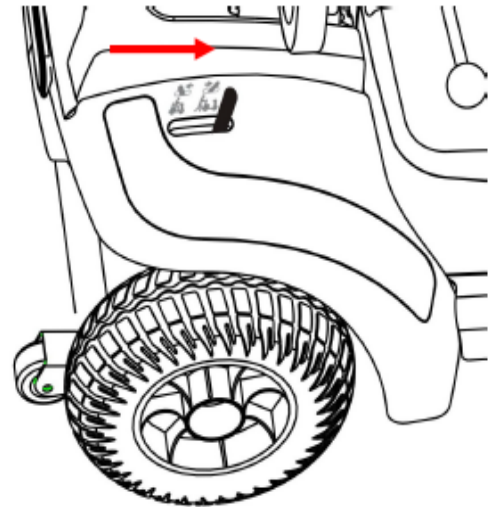


Fig. 4.2.2 Freewheel mode
(disengaged)

4.3 ADJUSTING THE HANDLEBAR

The handlebar can be adjusted with the following steps.

1. Turn the thread counterclockwise to loosen it (Fig. 4.3.1).
2. Adjust the angle of the handlebar to the desired position, turn the steering wheel clockwise to tighten it.

Driving his scooter

1. Make sure the seat is installed correctly and in a straight line.
2. Make sure the steering column is in a comfortable and secure position as described above.
3. Make sure the electromagnetic brake is in drive mode as described above.
4. Make sure the handlebar lock is in the unlocked position (figure 4.1.2).
5. Make sure the speed control lever is not accidentally depressed and turn the key to "ON".
6. Check the battery meter to see if there is enough power for your trip. If you have doubts about the remaining charge, please charge the battery before departure.
7. Set the scooter to a safe speed with the speed dial.
8. Be aware of traffic and pedestrians and make sure it is safe to ride.

? CAUTION!

- **Do not press both the right and left hand on the side speed control levers, this can lead to a loss of control of your scooter.**
- **Do not put it in the highest speed in closed areas.**
- **Do not adjust the speed selector while driving, the sudden change in speed can be dangerous and cause your scooter to malfunction.**
- **Do not place magnetic devices near the scooter operation controller area, this could affect the operation unit of your scooter.**
- **When backing up, pay attention to people or objects behind you.**

About driving speed.

The speed scale is printed on the dial label, and ranges from 1 to 10. The "10" scale means that the speed is maximum; please refer to the paragraph "MAX. SPEED" in section 8.

SCALE OF SPEED	SPEED RECOMMENDATIONS
1-3	Speed equivalent to walking slowly. - Use it when driving on steep or steep slopes. - Use when driving indoors or in tight spaces
4-6	Speed equivalent to walking at a medium pace. - Use it when riding outdoors on firm, smooth ground.
More than 7	Speed equivalent to walking briskly. - Use it when driving in an open space without risk.

Parking lot

1. Release the speed control lever fully and the scooter will naturally brake and stop.
2. Turn the key to OFF. Then remove the key (only after stopping).

? CAUTION!

- The stopping distance will vary according to your speed, the weight of the user and the inclination of the plane, please start braking as soon as possible.
- While parking your scooter, make sure you park on level ground and then turn the key to "OFF".

5. BATTERIES AND CHARGER

The battery that incorporates the scooter Eclipse, are from 21A / H, offering a greater range.

5.1 CHARGING THE BATTERY

Be sure to follow the procedures listed below in sequence.

1. Turn the scooter key to "OFF".
2. Open the cover of the charging connector on the scooter cover, and then connect the plug of the charger to the charging socket.
3. Connect the charger cable to the electrical outlet.

4. The charger LED light will be orange at the start of a charge. The duration of the charge is at least 6 - 8 hours, but this varies depending on the condition of the battery and factors such as temperature.
5. The orange LED will turn green when charging is complete.
6. Disconnect the cable and remove the round connector from the charging socket.

ⓘ SUGGESTION

1. Do not disconnect the charger cable if charging is not completed. Battery life will be shortened if the battery is used repeatedly without being fully charged. Therefore, be sure to fully charge the battery at all times.

2. Keep charging until the green LED is on. NEVER stop charging before charging is complete.

3. Unplug the power cord when charging is complete.

4. If your scooter is not used for a long period of time, it should be charged at least every 6 to 8 weeks to keep the battery in optimal condition.

5. Charging time will be affected by ambient temperature so it will take longer in winter.

? CAUTION!

Please follow the following rules to avoid accidents during charging.

- Please use only the supplied charger and fully charge the battery each time. The battery could be damaged if an incompatible charger is used.**
- Never disassemble or tamper with the charger.**
- Do not charge in a space that is directly exposed to sunlight. Do not charge in a space where there is moisture, in the rain or morning dew.**
- Do not cover the scooter with any waterproof cloth or other objects while it is charging.**
- Do not charge at temperatures below -10 ° or above 50 °, the charger may not work properly and the battery may be damaged.**



WARNING!

- Stay away from flammable objects while charging the battery.**
- Do not smoke while charging. Always charge the battery in a well-ventilated space.**
- Do not connect or disconnect the plug or cord with wet hands.**

5.2 THE CHARGER

The red LED on the charger will light up when you plug it into the outlet. The orange LED will turn green when charging is complete.

5.3 BATTERY

Do not expose the battery to temperatures below -10 ° C or above 50 ° when charging or storing the motorcycle.

Exceeding the specified temperature ranges can lead to overheating or freezing of the battery. This could possibly damage the batteries and shorten their life.

The type of battery used in your scooter is sealed and maintenance free.

ⓘ SUGGESTION

- Do not use the battery to charge any other equipment.
- Battery capacity depends on external conditions, driving distance will be shorter during winter.
- If the scooter is not going to be used for a long time, please recharge the battery every 6 to 8 weeks and always fully charge it before putting it into storage.
- There are two batteries inside the battery box, always replace the two batteries at the same time, with batteries of the same brand and specification.
- For best results and extend battery life, try to drain / discharge the battery by at least 50% before recharging
And, in addition, it is always best to cycle one full charge at a time.
- To get the best results from your batteries you really need to cycle full discharges and recharges for the first 10-15 charges. This means discharging the battery as much as you can safely and then giving it a full charge. Until these cycles are carried out, it will not function at full capacity. You will notice that the distance the Eclipse can travel will gradually increase during the first few weeks of use, as the batteries reach their optimum level of efficiency after approximately 12 discharge and recharge cycles.

6. INSPECTION AND MAINTENANCE

6.1 DAILY CHECKS

Check the following items before driving. If you find anything abnormal, go or call your dealer for an inspection before use.

ITEM	CONTENT INSPECTION
Handlebar	Is it well attached? Can it be rotated smoothly?
Speed dial	Can it be adjusted and does it work well?
Speed control lever	Does the scooter move when you press the lever? Does the scooter stop when you release the lever?

Motor	Is there any abnormal noise from the engine? Does the electromagnetic brake work well?
Lever "Freewheel" (clutch)	Does the "Freewheel" (clutch) mode lever work properly?
Battery indicator	Does the indicator move to green when turned ON after a full charge? Is the remaining energy sufficient for your trip?
Horn button	Does the horn work?
Seat	Is the seat properly seated? Can the seat be rotated smoothly?
Wheels	Are there cracks or other damage to the tires? Check the tire tread
Others	Is there any abnormal noise? Is there an oil leak from the gearbox?

6.2 REGULAR RECORD OF REVIEWS

To make sure your scooter is in good condition, go to your dealer for regular maintenance and keep a record of them. It is always advisable to have your machine serviced at least once a year.

SUGGESTION

Even if you do not use the scooter for a long time, the scooter should be checked regularly.

6.3 BATTERY, BRAKE CIRCUIT AND TIRES **Battery**

See section 5 "BATTERIES AND CHARGER".

Fuses

There are two fuses on your scooter. One is located inside the operation panel, the other is on the battery.

SUGGESTION

Ask your dealer for help inspecting or replacing the fuse, (as the battery has to be removed first for fuse replacement).

Brake circuit

There is a switch in the brake circuit (on the battery). If the scooter's ignition switch is "ON" and the battery indicator does not move, there may be an electrical current overload in the scooter; restore the electrical circuit by pressing the button. If it doesn't reset, wait for a few minutes and try again. Never press and hold the button in any other way to keep it on. If it does not restart, contact your dealer.

Tires

The condition of the tires depends on how you drive and use your scooter.

Tread inspection

Please check the tread depth of the tire regularly. Replace the tires when the tread depth is less than 0.5mm. Regularly inspect your scooter's tires for signs of wear.

? CAUTION!

When the depth of the tread is less than 0.5 mm, it can easily suffer from a loss of adhesion, so the stopping distances will be longer. Replace tires as soon as necessary.

6.4 MAINTENANCE

1. You must maintain and clean the scooter frequently.
2. Do not use water, oil or other chemical solutions to clean your scooter. Make sure not to spray the scooter with the water hose to avoid damaging the electronic components and printed circuit boards. Please clean the bike with either a dry or a damp cloth.
3. Please take the scooter to an authorized dealer for repairs and adjustments. Incorrect settings could lead to accidents and malfunction of the scooter.
2. Please use mild and moderate detergent to clean the bike and a soft cloth.

? CAUTION!

When servicing your scooter, please turn the key to "OFF" and remove the charger cable.

6.5 STORAGE

Make sure the scooter is stored under the following conditions:

- Make sure the seat is locked.

- Make sure the key switch is in the "OFF" position and the key is removed.

📌 SUGGESTION

Please store the scooter in a place where it is out of direct sunlight, rain or moisture. When stored for long periods of time, please charge the battery every 6 weeks. For more information, contact your dealer.

7. SOLUTION OF BASIC PROBLEMS

This table is only a guide to help you operate your scooter in the event of a problem. If you are unable to get your scooter to work, please contact your dealer.

Table 1. Solutions to basic problems

SYMPTOM	POSSIBLE CAUSE	SOLUTION
The scooter does not move.	<ol style="list-style-type: none"> 1. Keyswitch is not "ON". 2. Main circuit breaker tripped. 3. "Freewheel" mode lever activated. 4. Charger connected to the scooter. 5. Low battery level. 6. Scooter shuts down to conserve battery life. 7. Controller error. 	<ol style="list-style-type: none"> 1. Turn the key to "ON". 2. Reset the battery box main breaker. 3. Place the lever in drive mode (engaged). 4. Disconnect the charger. 5. Recharge the battery. 6. Turn the key to "OFF" and then to "ON". 7. Check diagnostic light for Flash Code (See Table 2 for solution).
The scooter shakes when driving it.	<ol style="list-style-type: none"> 1. The seat is loose. 2. Worn handlebar post bearings. 	<ol style="list-style-type: none"> 1. Check the seat for loose or damaged parts. Make sure the seat is in the locked position. 2. Replace the bearings.
Range less than expected.	<ol style="list-style-type: none"> 1. Load too much infrequent 2. Failure or exhaustion of the 	<ol style="list-style-type: none"> 1. Charge the scooter frequently 2. Charge the batteries. If i were

ECLIPSE

	battery. 3. Cold weather reduces battery life. 4. Defective charger.	necessary, change them. 3. Allow the batteries to reach room temperature and then fully recharge them. 4. Contact your dealer.
Behaviour erratic with joystick speed.	1. Defective speed control	1. Contact your dealer.
The breaks they squeak.	1. Dirt on the brake pads.	1. Clean the brake. Contact your dealer.
Lever brake parking lot stays hooked.	1. Rust and corrosion.	1. Spray the check ball with lubricating oil. 2. Lubricate the "Freewheel" (clutch) lever.
Rigid steering.	1. Possible accumulation of dirt.	1. Lubricate the linkages at the end of the bar.

Table 2: Internal Scooter Diagnostic Drivers.

The diagnostic blinks for your scooter are designed to help you perform basic solutions quickly and easily. A diagnostic code will flash light in the event the conditions listed below occur.

No. BLINKS	POSSIBLE ERROR	SOLUTION
1	Battery error.	Charge the battery fully.
2	Battery error.	Check the battery connections. If the connections are good, try to fully charge the battery.
3	Battery error.	Contact dealer.
4	Engine error.	Turn off the scooter and leave it for a few minutes before turning it on again. If this does not work, contact your dealer.
5	Wheel error free "(clutch)	Check that the scooter is not in "freewheel" (disengaged) mode. Check the connections and associated wiring. Contact your
6	Error of throttle.	dealer. Make sure the throttle control is not being depressed during start-up. If not, contact your dealer.

7	Error potentiometer speed.	Get in contact with your distributor.
8	Voltage error the motor.	Get in contact with your distributor.
9	Other errors.	Get in contact with your distributor.
10	Error of push / rollaway	Turn off the scooter and leave it for a few minutes before turning it on again. If this does not work, contact your dealer.

If you have any questions about performing any of the above suggestions, contact your dealer.

8. SPECIFICATIONS

Total length.	1000mm / 39 "
Total width.	480mm / 19 "
Total height.	900mm / 35.4 "
Total: Weight with battery.	50kg / 110lbs.
Total: Weight without battery.	42kg / £ 92.
Min. Turning radius.	1150mm / 45 "
Drive motor.	24V / 270W / 4700rpm.
Battery.	DC12Vx12AHx2 or DC12Vx21A / Hx2 (more powerful).
Charger.	24V 1.8 ^a .
Front tires.	190x50mm / 7.5 "x2"
Rear tires.	215x72mm / 8.5 "X2.8".
Driving system.	Direct system to the rear wheel.
Brake system.	Automatic electromagnetic brake.
Control method.	by the throttle lever, P&G Solo 50th.
Maximum speed).	6.4kph / 4mph.

Climbing tilt angle.	12th, 250 lbs.
Range (approximate).	15 or km / 9.5miles. 22km / 14miles with the highest power.
Free height to the ground.	75mm / 3 ".
Transportable weight capacity.	135kg / 300lbs.

The manufacturer reserves the right to change specifications, if necessary, without prior notice. Final specifications are subject to the specific scooter you purchase from your dealer.

Note: The maximum driving distances are based on ambient temperature conditions at 20 °, a user of 75 Kg / 165 pounds and a battery at maximum performance (initial discharge and recharge cycles performed).

9. WARRANTY

Your Eclipse is warranted by the manufacturer for a period of twenty four months from the date of purchase and subject to the following conditions:

1. This warranty extends only to the original purchaser / user of the product identified by the product serial number found on the frame. This warranty is not transferable.
2. Your dealer will repair or replace free of charge any part, which after inspection by an authorized person, detects a defect in workmanship and / or workmanship.
3. If a defect or fault is discovered, notify your dealer immediately.

Warranty Exclusions

- Tires and rear anti-tip wheels (these are normal wear components and replacement is not guaranteed)
- Your dealer will not be liable for defects caused by vandalism, misuse, abuse, accident, neglect, alteration or misuse caused by failure to follow the instructions in the User Manual.
- This warranty does not cover commercial or rental use of the Eclipse or any other unusual use.
- Upholstery and seats (these are normal wear components and replacement is not guaranteed)

- Returns will only be accepted when the product is sent in its original box with the original protections and packaging materials installed.

- The products returned to be sent are at the user's expense. If a warranty claim by the user is in your best interest, your dealer will pay you the shipping costs.

There is no other express warranty. Your rights as a consumer are not affected.

Service information

Only genuine replacement parts should be used.

An authorized dealer will service your eclipse under the above warranty terms.

Your dealer's services are provided by competent professionals. They should be able to answer any questions you may have. Almost all problems can be solved this way.

10. TIPS FOR SAFE DRIVING OF THE SCOOTER

Scooters are divided into two categories. Class 2, which is essentially a 6.4 km / h vehicle. Class 3 is capable of driving up to 6.4 to 12.7 Km/h and is equipped with front and rear lights, direction change indicators, horn and rear view mirror.

Check the road laws to know exactly the limitations of the use of scooters in your area, in this case, your Eclipse is a Class 2, vehicle capable of running at 6.4 km / h.

Insurance

There is no legal requirement for insurance, but it is a very good idea to have coverage for fire and theft, accidental and malicious damage, and also for third party damage. Contact your dealer for more information.

Mobile phone

An essential if you are out alone. You never know, breakdowns, accidents, health. Communication is a must.

Freight transport

Don't overload it. It can make the vehicle unstable and reduce its range. Place heavy loads inward - in the center - not behind the rear wheel as it may lighten the steering or cause the front end to lift off the road in a pothole, or place it in the front anymore which can do heavy steering.

Check the brakes

Never try to drive, or even sit in your vehicle while it is "freewheeling" (disengaged) (automatic engine brake off). The electronic brake will be out of action and the vehicle could roll uncontrollably.

Maintenance

Carry out the checks outlined in this manual regularly.

Tires

Keep the tires at the pressure recommended by the manufacturer. They will last longer and safer. Replace them when they have worn out.

Lights

Check regularly and replace the bulbs when necessary, use the lights frequently, after dusk, on a cloudy or rainy day. However, remember that the use of lights can reduce the range of your scooter.

GUIDELINES FOR SAFETY Use on sidewalks

Riding on the sidewalk or crosswalk does not make you a pedestrian. If you are in a motor vehicle you are no longer a pedestrian. So be careful.

Remember, pedestrians always have right of way

Many people on the street are going to be friendly and help wheelchair or scooter drivers, but not everyone!

In a crowded room

It is your responsibility to ensure that you do not run over or hit anyone or that no one damages your vehicle. While many people will yield to you, you shouldn't expect everyone to. Some will not even realize that you are there. Also be very aware of people's feet.

Going up or down curbs

Always approach them at a right angle, with their front wheels facing the curb. Do not go up or down curbs higher than those recommended by the manufacturer. Move carefully to avoid traumatic impacts - to yourself and to the vehicle.

Careful with

- Children: It is very possible that they cross in front of you without warning.
- The elderly: They may be unable to move quickly to one side to let you pass. Leave enough space.
- People with reduced mobility on foot: they can also be unable to dodge him.
- People with visual or hearing problems: You have to give them space and time.

- Other motor vehicle users: You may be doing all the right things but this does not guarantee that others will do the same.

When you need help

- You may have to ask people to open doors for you. Most people are willing to help if you ask politely. Do not fight to do the impossible when there are people around who will help you if you ask.

- Driving inside stores and buildings: Most of the larger stores, and even some very small ones, are accessible to wheelchairs and scooters. Once inside the store it is your responsibility to drive slowly and safely and not injure accessories or people. You may have to ask for help. Again, in most cases people are willing if asked correctly. Don't risk using furniture to reach upper shelves, for example. ASK FOR HELP.

- Speed in shops and buildings: Reduce it! It is a good idea to set the speed control at a lower level to avoid any accidents. Be especially careful if you need to change direction, make sure the path is clear of tent accessories and people.

- On the road: Remember that you are not driving a car or another car, but a very small and slow vehicle, which is therefore more vulnerable.

- Use the sidewalk: It is advisable to avoid the use of roads, try to use Sidewalk.

WHEN DRIVING YOUR VEHICLE ON THE ROAD

You are responsible for your own safety and that of other users. The road laws of the highway must be applied

- Driving on the right side of the road: Never drive against traffic.

- One-way streets: Never drive against traffic

- Give way to cars as they would (details in the highway code).

- Obey traffic lights, all traffic signals and others instructions.

- Yield to pedestrians at crossings.

But always remember that your vehicle is not a car and it is small and vulnerable. If you need to make a left turn through traffic, try to make it close to the curb and then use a safe crosswalk or the crossing signal control. Only try to turn left if you are absolutely sure it is safe to do so. Don't just trust your mirror. It can give a false impression of distance. Always give a clear indication of intention to turn left or right.

Remember

Vehicles you can see in your rearview mirror may seem far away, but they are almost certainly moving faster than you, so be careful.

Passing a parked vehicle

Be very careful not to get into a lane where a faster vehicle is coming behind you. Always state your intentions.

In the event of a difficult or dangerous situation use your hazard lights, however, do not drive with them unnecessarily

Insurance

There is no legal requirement for insurance, but it is a very good idea to have coverage for fire and theft, accidental and malicious damage, and also for third party damage. Contact your dealer for more information.

Mobile phone

An essential if you are out alone. You never know, breakdowns, accidents, health - communication is a must.

Freight transport

Don't overload it. It can make the vehicle unstable and reduce its range. Place heavy loads inward - in the center - not behind the rear wheel as it may lighten the steering or cause the front end to lift off the road in a pothole, or place it in the front anymore which can do heavy steering.

Check the brakes

Never try to drive, or even sit in your vehicle while it is "freewheeling" (automatic engine brake off). The electronic brake will be out of action and the vehicle could roll uncontrollably.

Maintenance

Carry out the checks outlined in this manual regularly.

Tires

Keep the tires at the pressure recommended by the manufacturer. They will last longer and safe to use. Replace them when they have worn out.

Lights

Check regularly and replace the bulbs when necessary, use the lights frequently, after dusk, on a cloudy or rainy day. However, remember that the use of lights can reduce the range of your scooter.

GUIDELINES FOR SAFETY Use on sidewalks

Using the sidewalk or crosswalk does not make you a pedestrian. If you are in a motor vehicle you are no longer a pedestrian. So be careful.

Remember, pedestrians always have right of way

Many people on the street are going to be friendly and help wheelchair or scooter drivers, but not everyone!

In a crowded room

It is your responsibility to ensure that you do not run over or hit anyone or that no one damages your vehicle. While many people will yield to you, you should not expect everyone to do so. Some will not even realize that you are there. Also be very aware of people's feet.

Going up or down curbs

Always approach them at a right angle, with their front wheels facing the curb. Do not go up or down curbs higher than those recommended by the manufacturer. Move carefully to avoid traumatic blows - to yourself or to the vehicle.

Careful with

- Children: It is very possible that it crosses in front of you without warning.
- The elderly: They may be unable to move quickly to one side to let you pass. Leave enough space for them.
- People with reduced mobility on foot: they can also be unable to dodge him
- People with visual or hearing problems: You have to give them space and time.
- Other motor vehicle users: You may be doing all the right things but this does not guarantee that others will do the same

When you need help

- You may have to ask people to open doors for you. Most people are willing to help if you speak politely to them. Do not fight to do the impossible when there are people around who will help you if you ask.

- Driving inside stores and buildings: Most of the larger stores, and even some very small ones, are accessible to wheelchairs and scooters. Once inside the store it is your responsibility to drive slowly and safely and not injure accessories or people. You may have to ask for help. Again, in most cases people are willing if asked correctly. Don't risk using furniture to reach upper shelves, for example. ASK FOR HELP.

- Speed in shops and buildings: Reduce it! - It is a good idea to set the speed control to a lower level to avoid any accident. Be especially careful if you need to change direction that the path is clear of store fixtures and people.

- On the road: Remember that you are not driving a car or another car, but a very small and slow vehicle, which is therefore more vulnerable.

- Use the sidewalk: It is advisable to avoid the use of roads, try to use Sidewalk.

WHEN DRIVING YOUR VEHICLE ON THE ROAD

You are responsible for your own safety and that of other users. The road laws of the highway must be applied

- Driving on the right side of the road. Never drive against traffic.

- one-way streets - Never drive against traffic

- Yield to cars as they would (details in highway code)

- Obey traffic lights, all traffic signals and others instructions

- Yield to pedestrians at crossings.

But always remember that your vehicle is not a car and it is small and vulnerable. If you need to make a left turn through traffic, try to make it close to the curb and then use a safe crosswalk or the crossing signal control. Only try to turn left if you are absolutely sure it is safe to do so. Don't just trust your mirror. It can give a false impression of distance. They always give a clear indication of the intention to turn left or right.

Remember

Vehicles you can see in your rearview mirror may seem far away, but they are almost certainly moving faster than you, so be careful.

Passing a parked vehicle

Be very careful not to get into a lane where a faster vehicle is coming behind you. Always signal your intention to stop.

In the event of a difficult or dangerous situation, use your hazard lights, however, do not drive with them unnecessarily

11. USER REGISTRATION

User registration details

User name.....

Address.....

.....

.....

Postal Code.....

Telephone.....

Date of purchase Serial number

Service registration

Date	Company	Technical	Parties replaced	recommendations

Notes

.....

.....

.....

.....

.....

.....

.....

.....

WARRANTY

The guarantee is extended for 2 years, according to the current Law of Guarantees that refers to all the manufacturing defects of the products. Damages caused by natural wear and tear or improper use, as well as lack of maintenance, are excluded.

The warranty does not cover modifications to the product, as well as the use of non-original spare parts.

In the event that you require a repair on your product, please contact the dealer who sold it to you. Through it, the factory will provide you with all the support of your warranty.



Imported by:
Tecno Dinámicas SL Helps
Llobregat, 12
08130 Santa Perpètua - Barcelona
tel. 935 74 74 74 fax. 935 74 74 75
info@ayudasdinamicas.com
www.ayudasdinamicas.com

