



User Manual



# Thank you

for buying RGK...

We hope the product and service you have received has met your expectations. Please take time to read the instructions contained within, to familiarise yourself with your new RGK product and to ensure you get maximum performance and longevity from it.



Russel Simms,  
Commercial Director

## WARNING!

Do not operate this equipment without first reading and understanding this manual. If you are unable to understand the warnings and instructions, contact a healthcare professional (doctor / therapist) before attempting to use this equipment - otherwise injury or damage may result.

# Contents

04	About / Compatibility
05	FrontWheel Basics
06	Operation
07	Full Setup
11	Quick Start
15	Troubleshooting

# About / Compatibility

The FrontWheel is an add-on accessory that makes your chair more flexible to everyday situations enabling you to travel across grass, cobbles, mud, gravel and other uneven ground easily by keeping your front castor wheels off the floor at all times when you move in any direction, including backwards.

 **WARNING**

125kg limit

 **RGK chairs that are compatible**

- RGK TIGA
- RGK TIGA fx

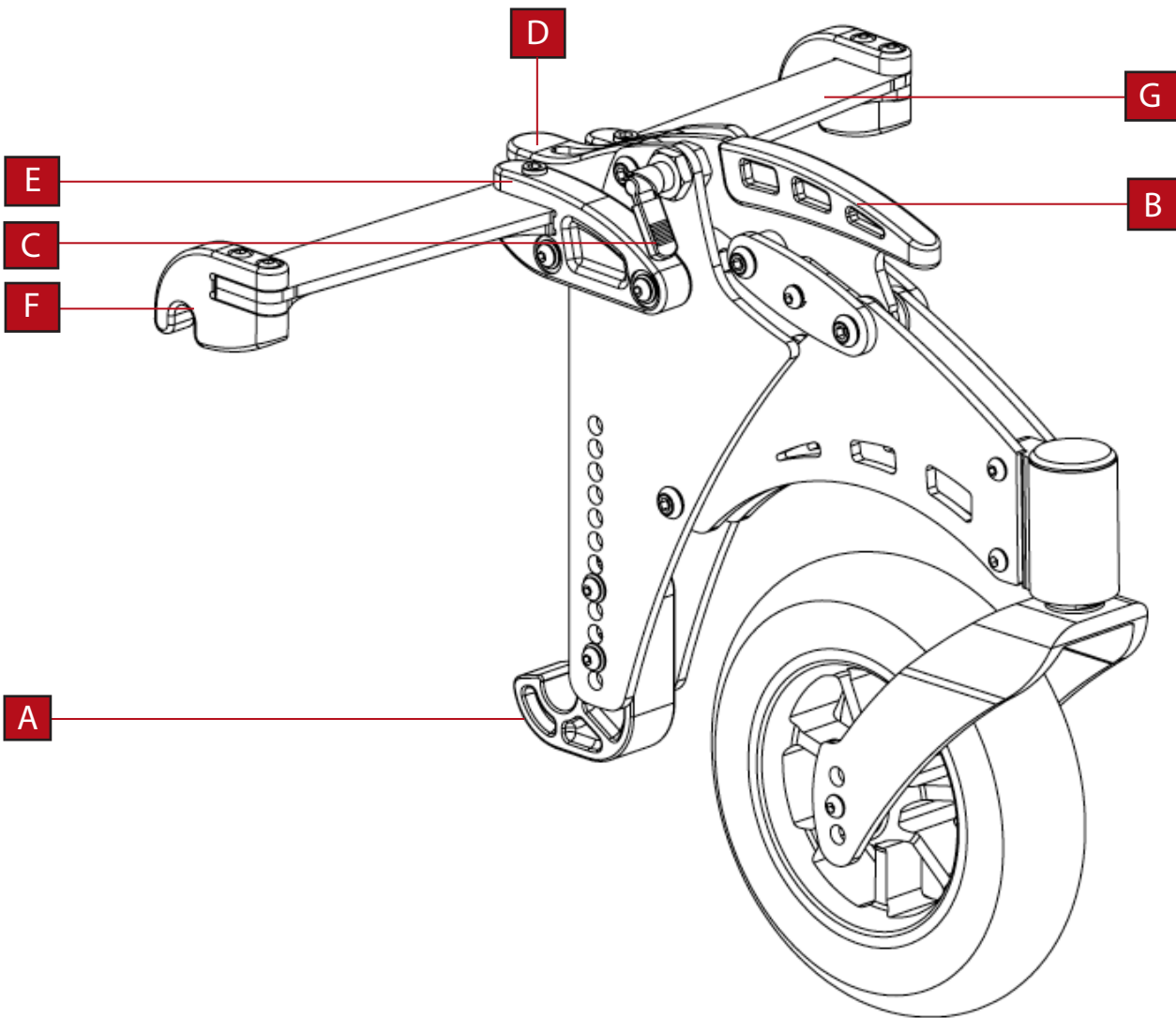
Some bespoke frames or chair options may prevent the FrontWheel from fitting.

Please ask for a compatibility test to have your chair checked.

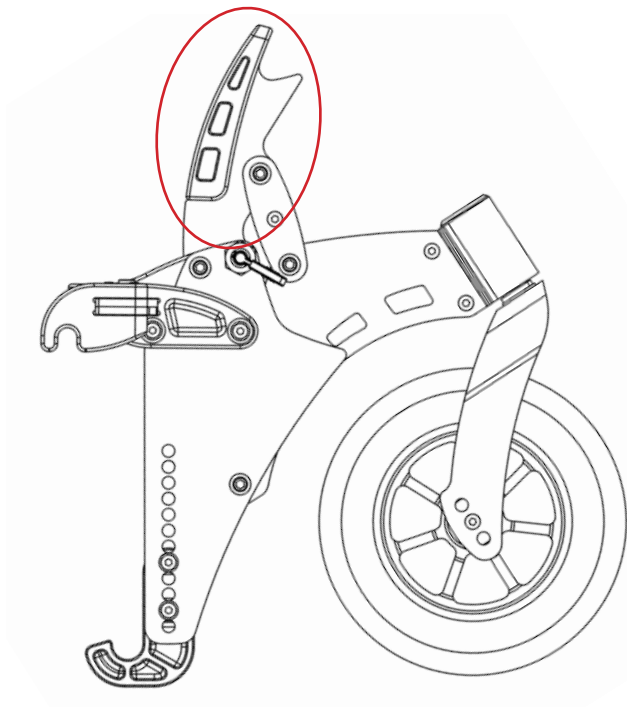
# FrontWheel Basics

- A Footrest hook
- B Release handle
- C Locking catch
- D Clamp handle

- E Plate support
- F Chair hook
- G Hook plate

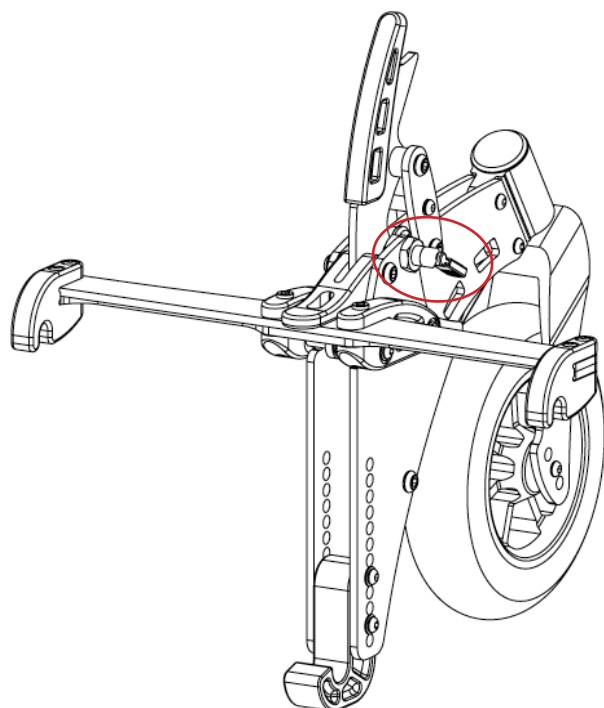


# Operation



## ► FrontWheel locking up

To do this pull the release handle of the FrontWheel (highlighted) until it clicks into the position. Once done the FrontWheel will look like this.



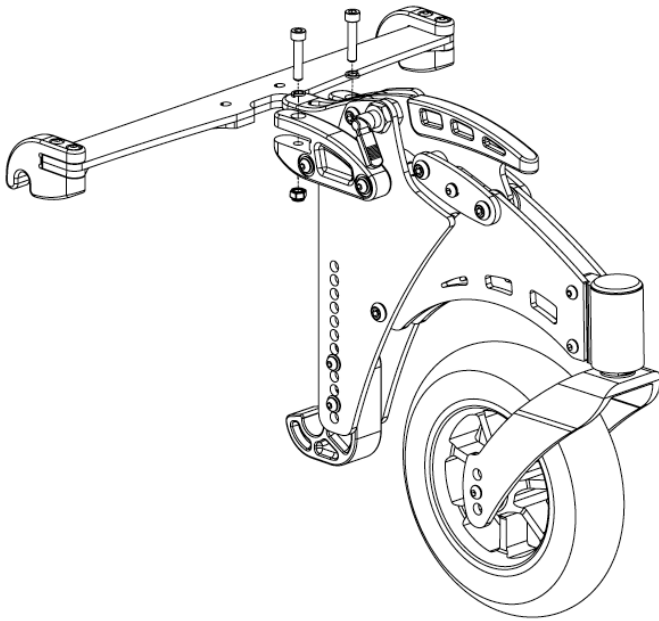
## ► FrontWheel locking down

To do this pull the locking clutch (highlighted) and the front of the FrontWheel will spring down and lock in the down position.

**If you have had your FrontWheel fully setup and clamps located on your chair at RGK's premises then please continue to the Quick Start section. If you have not had this done and need to locate the clamps yourself, please follow the Full Setup section first.**

# Full Setup

If you have had your FrontWheel fully set up at RGK's premises you can skip the following setup steps and move straight to the **Quick Start** section.

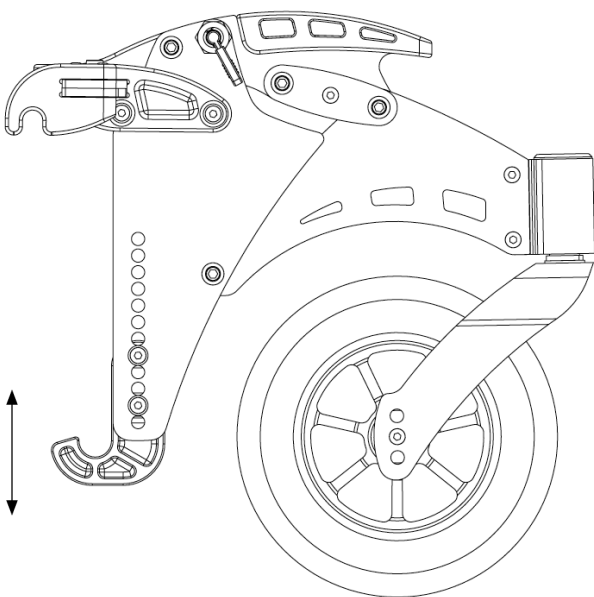


## ► Assemble your FrontWheel

Take the two bolts, spring washers and nyloc nuts out of the two brackets on the rear of the FrontWheel, then slot the hook plate inside the brackets.

Align the holes in the brackets with the holes in the plate and use the two bolts to locate the plate as illustrated to the left.

**Ensure the bolts are tight before using.**

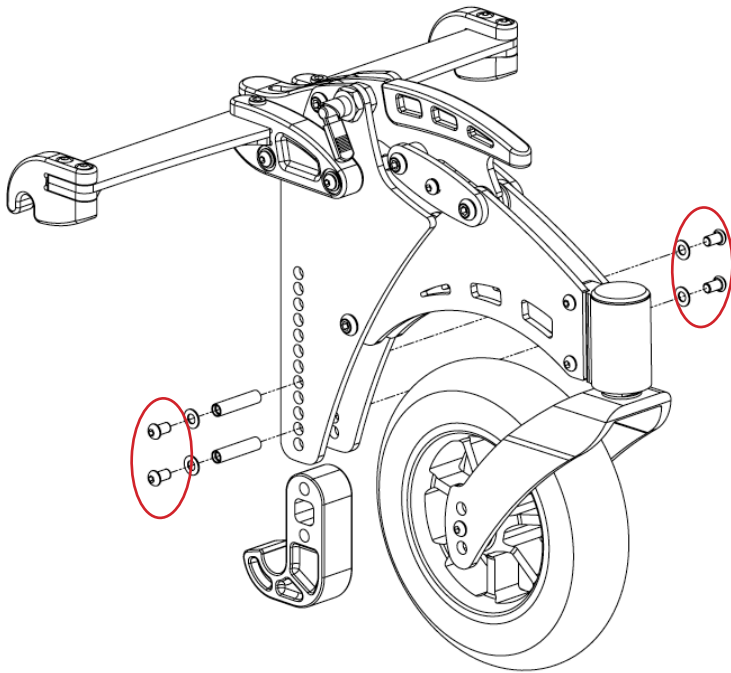


## ► Setting up the footrest hook

Only follow this stage if you have changed your footrest height since ordering.

The footrest hook can be moved up or down as illustrated.

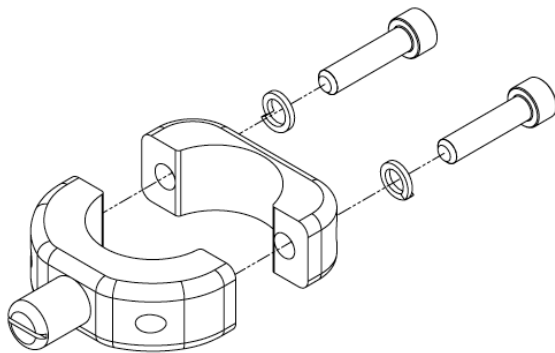
- If you have moved footrest up, move hook up
- If you have moved footrest down, move hook down



To do this simply remove the highlighted bolts from the FrontWheel and slide out the axles. This then allows the footrest hook to be removed and moved to the correct position. See illustration to the left.

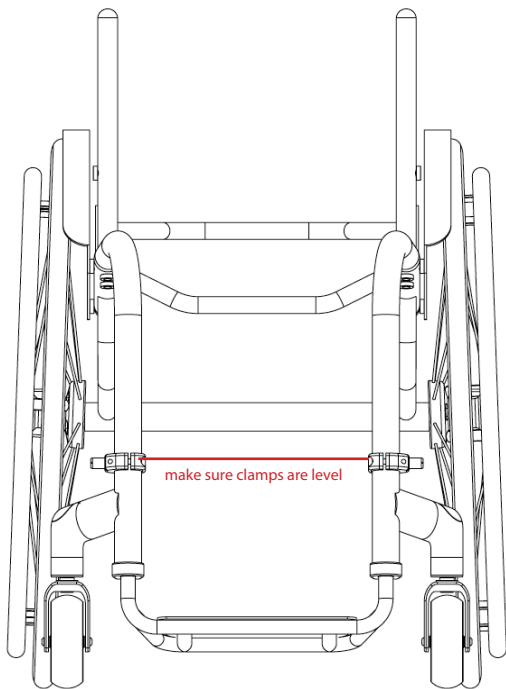
Slide the axles back through the FrontWheel and footrest hook and tighten the bolts back up.

**Ensure bolts are tight before using.**



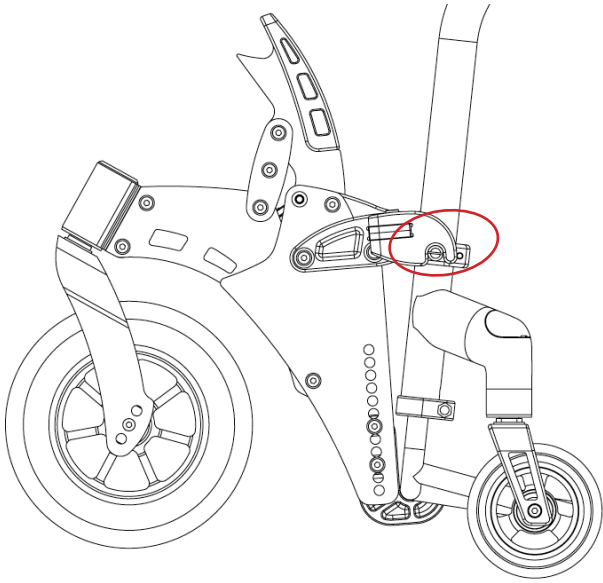
► **Setting the clamp position**

Take the supplied clamps and unbolt them as shown so that they can be fixed to the seat rail of your chair.



Locate the clamps so that the polished steel lugs face out and nip up so that you can still move them up or down the seatrail.

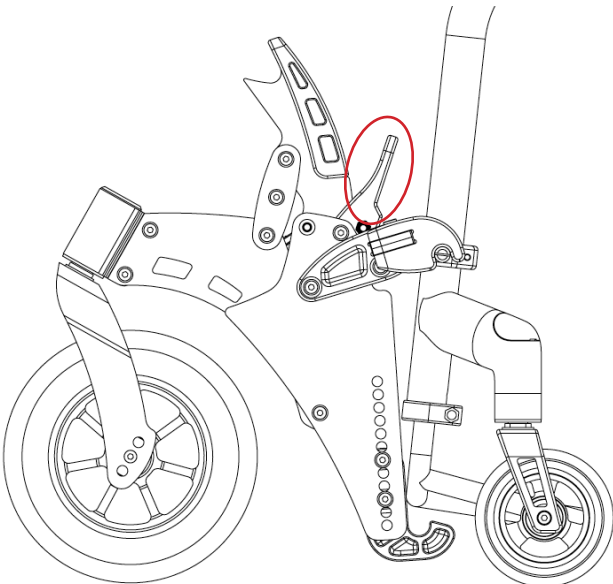




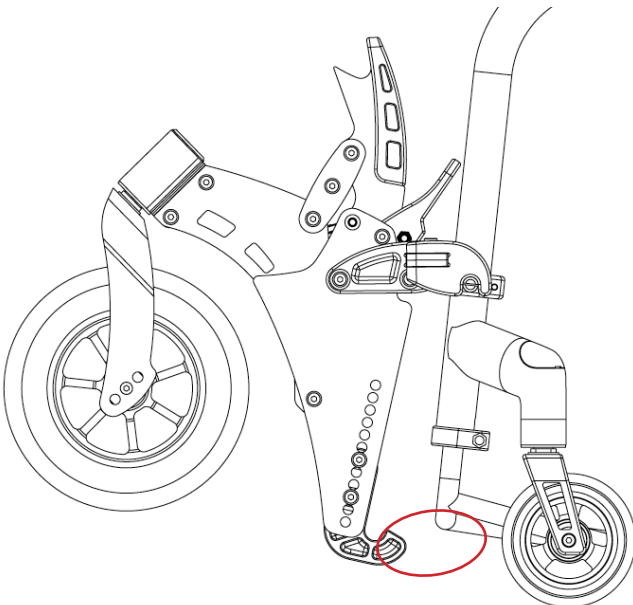
Next lock the FrontWheel in the up position and locate the footrest hook under your footrest. Now adjust the positions of the clamps up the seatrail so that the FrontWheel is tight around your footrest and around the steel lugs as illustrated to the left.

When in this position the FrontWheel wheel should be off the ground. If it is not then the footrest hook needs to be adjusted to suit.

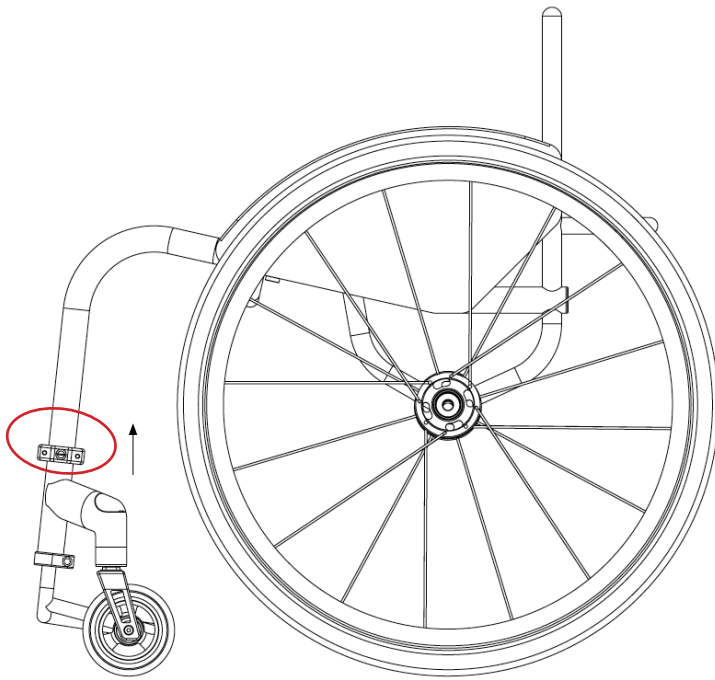
No gap - Move foot hook down



Now remove the FrontWheel, to do this lift the clamp handle.



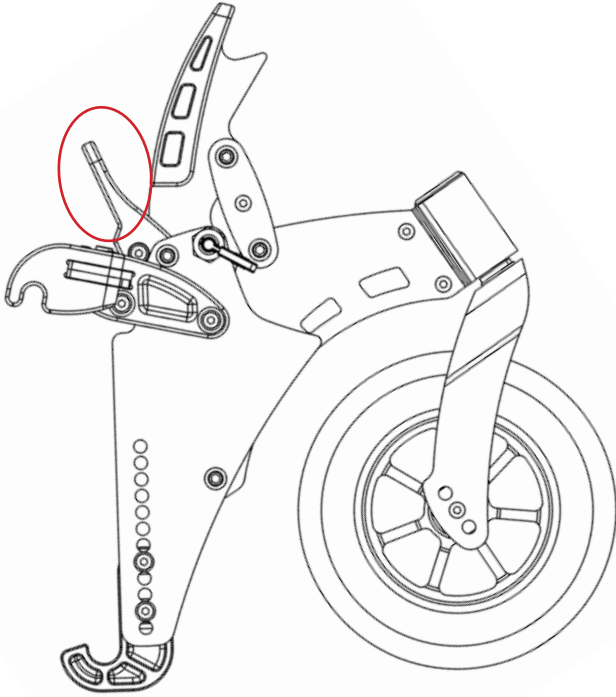
Swing the footrest hook from under your chair's footrest and lift off the steel lugs.



Finally move the clamps up the seat rail an extra 5mm and tighten up the bolts, this gives the FrontWheel an extra tight fit.

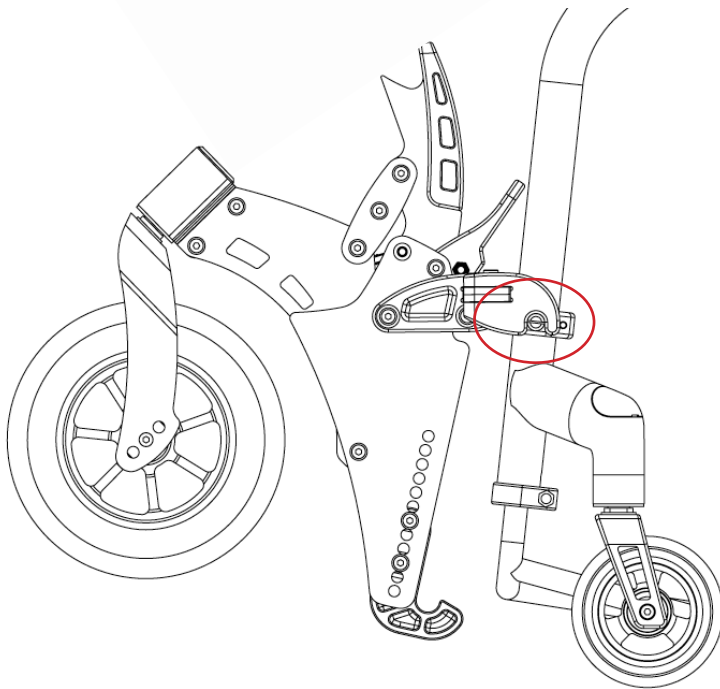
**Now that the clamps are in the correct position, please move on to the quick start section.**

# Quick Start

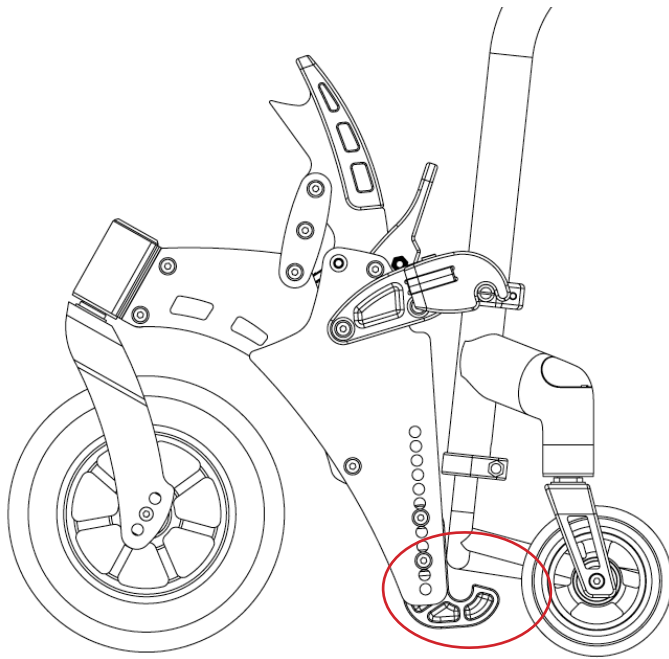


## ► Clamping onto your frame

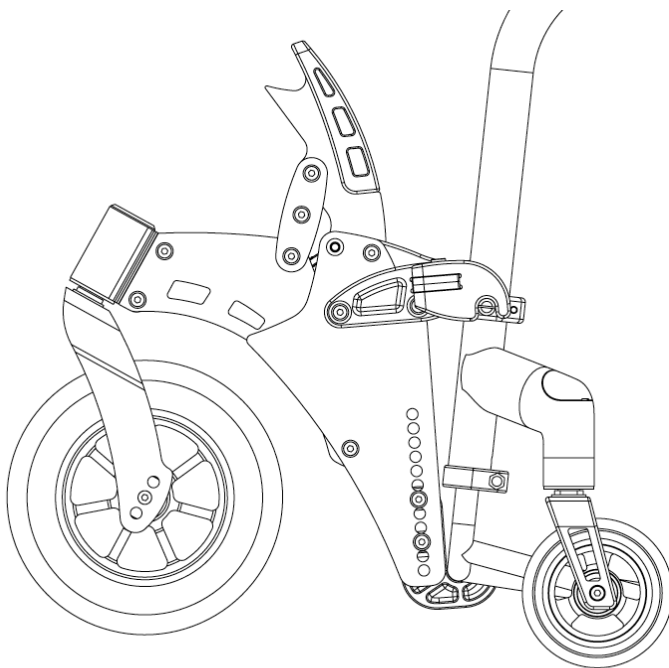
To do this the FrontWheel must first be in the locked up position, so pull the release handle up until it clicks. The clamp handle must also be lifted (highlighted). Once you have done this your FrontWheel will look like this.



Now locate the FrontWheel chair hooks over the polished steel lugs.



Allow the footrest hook to hook under your chair's footrest.

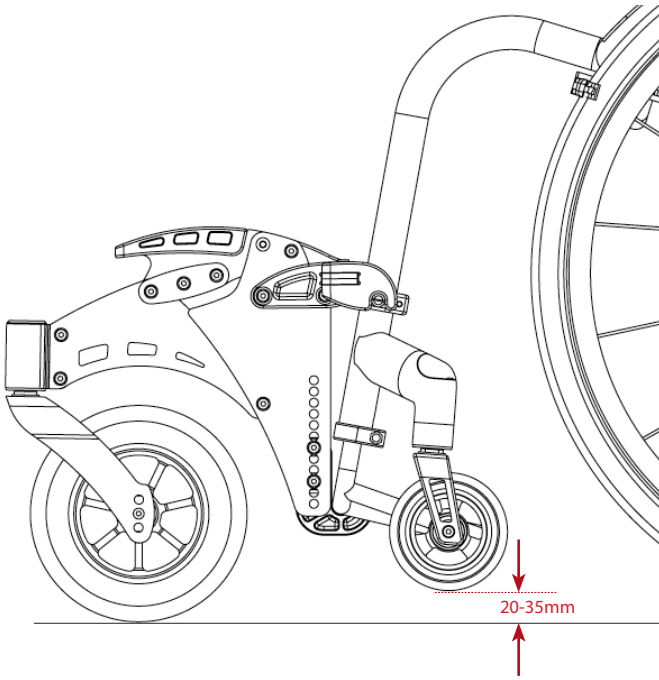


To lock the FrontWheel in place, press the clamp handle down until it touches the hook plate.

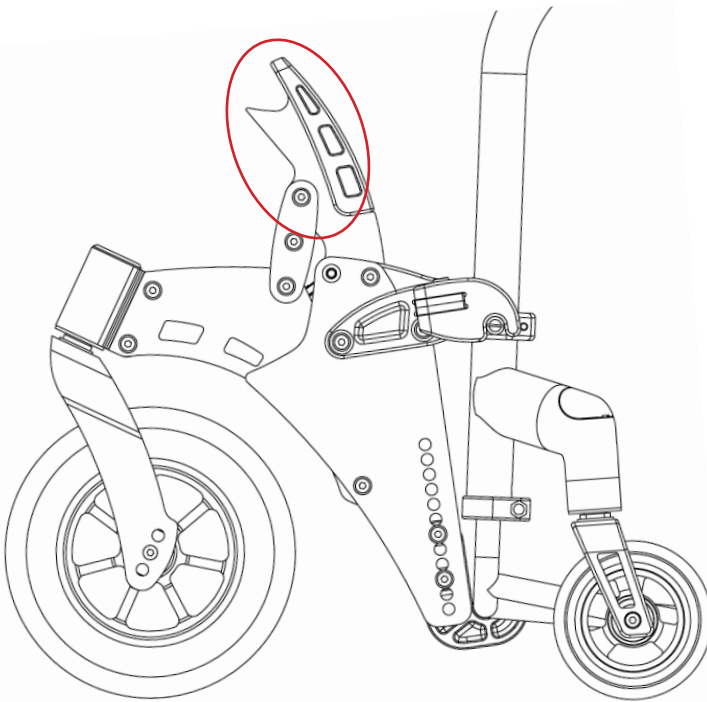
Your FrontWheel should now be firmly located in place on your chair with the wheel of the FrontWheel off the floor.

You can now lock down your FrontWheel by pulling the locking catch on the side, this will allow the wheel to drop to the floor. To lock it in position you can do one of two things:

1. Pull a small wheelie allowing your chair's front castor wheels to lift off the floor, as you do this the FrontWheel will spring down and lock into place keeping your castors off the floor.
2. Push down on the release handle until it is located in the plastic stop and your front castor wheels are off the floor.

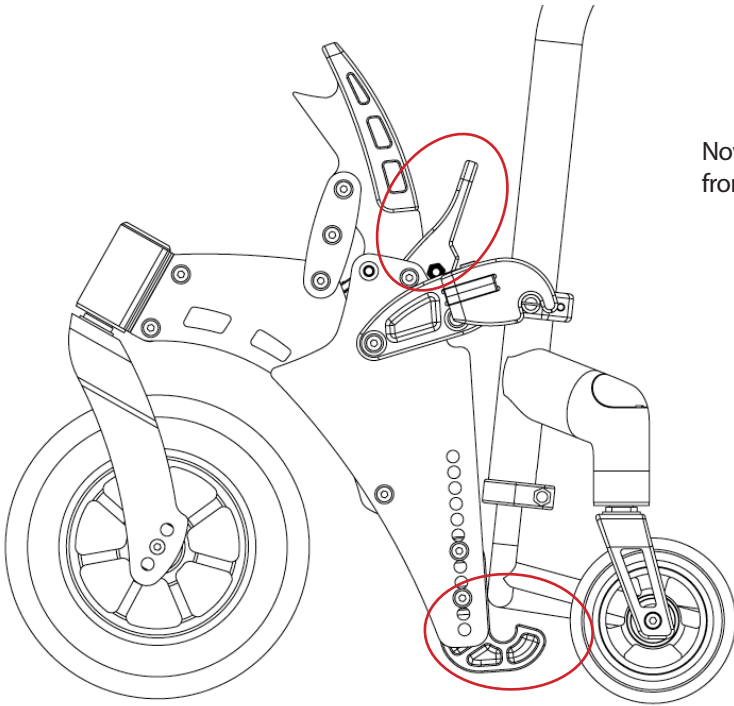


Once you have done this your chair should be as shown in the diagram to the left, with your castor wheels 25-35mm off the floor.

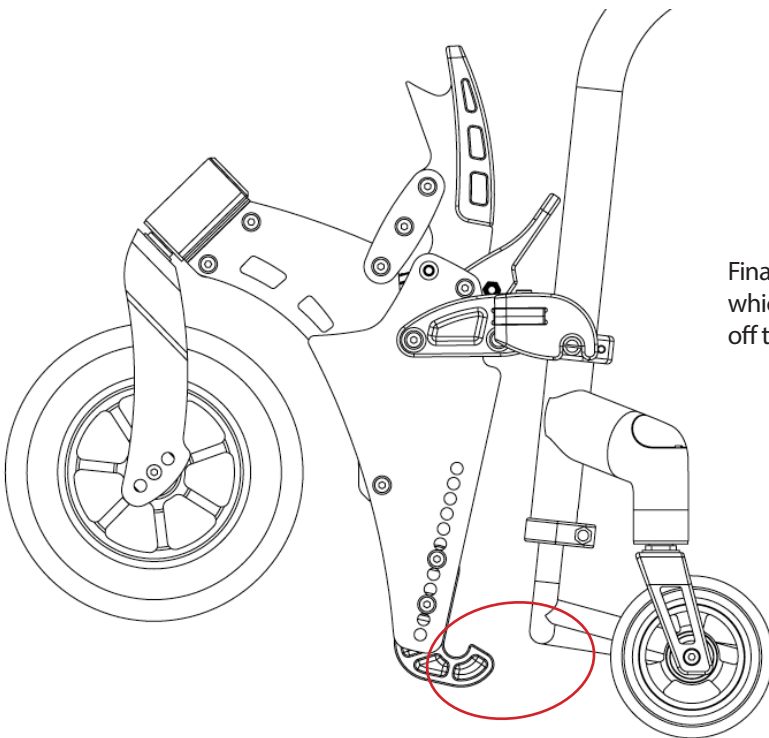


► **Releasing from your frame**

To release the FrontWheel from your frame first lock the FrontWheel up by pulling the release handle up until it clicks into position, as you do this your front castor wheels will drop to the floor.



Now lift the clamp handle which will drop the footrest hook from under your footrest.



Finally rotate the footrest hook from under your footrest, which will allow you to lift the FrontWheel straight up and off the polished steel lugs.

# Troubleshooting

When clamped to the chair and in the locked up position, my FrontWheel wheel touches the floor. If this happens try moving the footrest hook on the frontwheel down a hole. When you do this the clamps on the frame will also have to be moved upwards.



## RGK Head office address

Unit 8 A/B/C Ring Road Zone 2,  
Burntwood Industrial Estate,  
Burntwood, Staffordshire, WS7 3JQ

Call: +44(0)1543 670 077

Fax: +44(0)1543 670 088

Email: [info@rgklife.com](mailto:info@rgklife.com)

Need replacement parts?

Take advantage of our online pricing policy at [www.rgklife.com/store](http://www.rgklife.com/store)