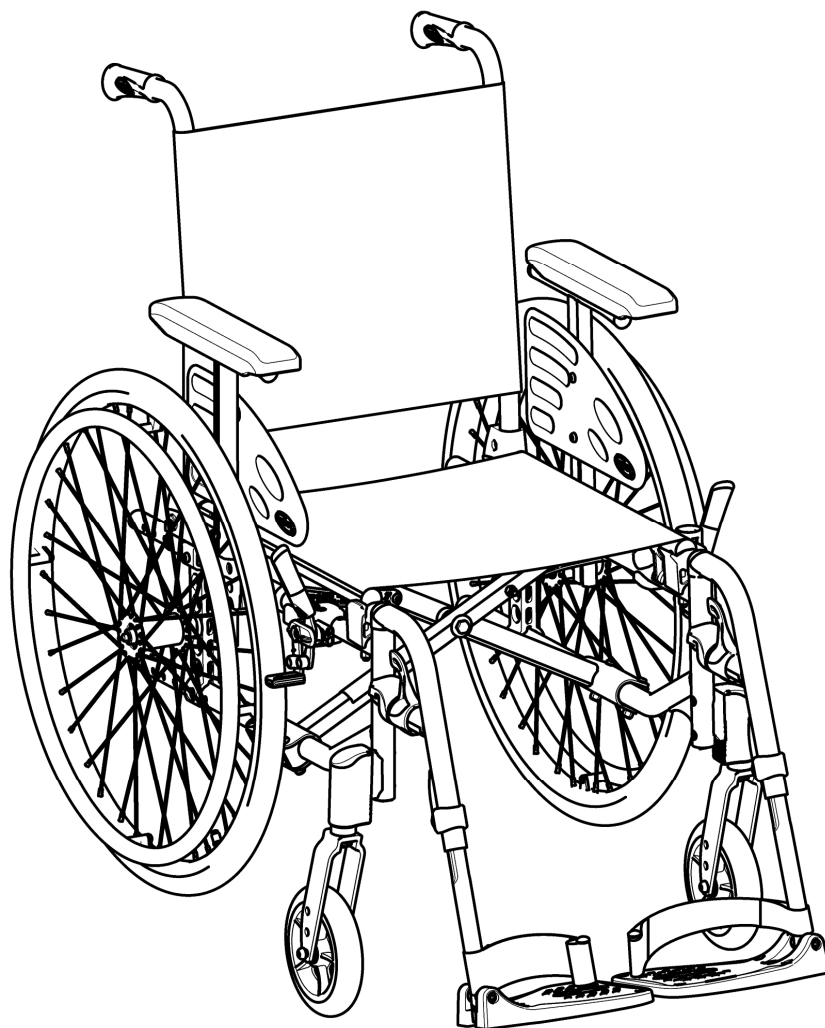


Invacare[®] Action^{®3} NG & Action[®] XT

SERVICE MANUAL

(MAINTENANCE AND ADJUSTMENT)

The procedures in this manual **MUST** be performed by a qualified technician.



1606084-H

December 2020



Yes, you can.[®]

TABLE OF CONTENTS

SECTION 1—TROUBLESHOOTING AND MAINTENANCE	4
General information	4
Troubleshooting	4
Maintenance Guidelines	4
Tightened Torques	5
Suggested Maintenance Procedures	5
Stability Warning	6
SECTION 2—FRONT HANGERS	7
Adjusting Footrest Height	7
Replacing Heel Strap	8
Installing Calf Strap	8
Installing Angle Adjustable Footplate	9
Adjusting the Legrest Angle	9
Adjusting the Footplate Height.....	9
Adjusting Calfpad Height	10
Adjusting Calfpad Depth	10
SECTION 3—ARMRESTS	11
Removing/Installing Removable Armrest (n°1 & n°4)	11
Adjusting Removable Armrest Height	11
Removing/Installing Swing Away Armrest (n° 2 & n°3)	12
Replacing Armrest Arm Pad	13
SECTION 4—SEAT/BACK	14
Removing Standard Back Canes	14
Removing Angle Adjustable Back Canes	15
Removing/Installing Seat Upholstery	15
Removing/Installing Standard Back Upholstery	16
Contour (Adjustable) Back Upholstery	17
Installing/Replacing Contour (Adjustable) Back Upholstery	17
Adjusting the Height Adjustable Back	19
Adjusting the Angle Adjustable Backrest	19
Installing/Replacing Fixed/Folding backrest	21
Installing/Replacing Recliner backrests	21
Installing/Replacing Comfort backrests	22
Removing/Installing/Adjusting the Back Cane Bracket	23
Installing/Removing Seat Posture Belt	24
Installing/Removing the Standard Back Brace	25
Installing/Removing the Folding Back Brace	26

SECTION 5—REAR WHEELS/FRONT CASTERS	27
Removing/Installing Rear Wheels	27
Fixed Axles, Transit version.....	27
Quick-Release Axles	29
Adjusting Quick-Release Axles	30
Replacing Handrims	30
Adjusting the Wheelbase Length	31
Adjusting Rear Wheel Height	33
Replacing/Repairing Rear Wheel & Front Castor Tyre/Tube	34
Adjusting Fork Rotation	35
Removing/Installing/Repositioning the Castor Assemblies	36
Adjusting Castor Angle	36
<i>IMPORTANT:</i> Note that for wheelchairs built before 2017-09-17, refer to Service Manual version B	
Adjusting Castor Assembly Position	38
<i>IMPORTANT:</i> Note that for wheelchairs built before 2017-09-17, refer to Service Manual version B	
SECTION 6—SEAT-TO-FLOORHEIGHT.....	39
Seat Angle	39
Measuring Seat-to-Floor Height	40
Changing Seat-to-Floor Height	41
SECTION 7—WHEEL BRAKES	42
Adjusting Wheel Brakes	43
Replacing Wheel Lock Handle	43
Installing/Adjusting Hub Brakes	44
SECTION 8—OPTIONS	45
Installing/Adjusting Dual Handrim (DHR)	46
Installing/Adjusting Headrest	47
SECTION 9—ANTI-TIPPERS	48
Installing/Adjusting Simple Anti-Tippers	48
Installing/Adjusting Anti-Tippers with tipping Aid.....	49
Adjusting Anti-Tippers	50
SECTION 10—PERIODIC MAINTENANCE GUIDELINES	51
Initially	51
Weekly/Monthly/Annually	52

SECTION 1—TROUBLESHOOTING AND MAINTENANCE GUIDELINES

General Information

User manual and pre-sales information:

For pre-sales information and user manual related to this wheelchair, please consult the www.invacare.eu.com website.

NOTE: Please recommend the user to follow the rules mentioned in the User Manual about Maintenance Schedule, Cleaning and Troubleshooting sections.

Troubleshooting:

Fault	Possible cause	Action
The wheelchair does not travel in a straight line	Incorrect tire pressure on one rear wheel	Correct tire pressure
	One or more spokes broken	Replace faulty spoke(s), → authorized dealer
	Spokes tightened unevenly	Tighten loose spokes, → authorized dealer
	Front wheel bearings are dirty or damaged	Clean or replace the bearings, → authorized dealer
The wheelchair tips backwards too easily	Rear wheels are mounted too far forwards	Mount the rear wheels further back, → authorized dealer
	Back angle too large	Reduce the backrest angle, → authorized dealer
	Seat angle too large	Mount the front wheel upper on the front fork, → authorized dealer Select a smaller front fork, → authorized dealer
The brakes are gripping poorly or asymmetrically	Incorrect tire pressure in one or both rear tires	Correct tire pressure
	Brake setting incorrect	Correct the brake setting, → authorized dealer
Rolling resistance is very high	Tire pressure in rear tires is too low	Correct tire pressure
	Rear wheels not parallel	Ensure the rear wheels are parallel, → authorized dealer
The front wheels wobble when moving fast	Too little tension in front wheel bearing block	Tighten the nut on the bearing block axle slightly, → authorized dealer
	Front wheel has worn smooth	Change front wheel, → authorized dealer
The front wheel is stiff or stuck	Bearings are dirty or faulty	Clean or replace the bearings, → authorized dealer
The wheelchair is very difficult to unfold	Backrest cover is too tight	Loosen the Velcro bands of the backrest cover a little

⚠ CAUTION

It is compulsory to use original Invacare spare parts which you can obtain from any Invacare subsidiaries. A list of spare parts is available at www.invacare.eu.com

⚠ WARNING

After ANY adjustments, repair or service and before use, make sure all attaching hardware is tightened securely - otherwise injury or damage may occur.

⚠ CAUTION

DO NOT over tighten hardware attaching to the frame. This could cause damage to could cause damage to the frame tubing.

Tightening torques

The tightening torques stated in the following table are dependent on the thread diameters for the nuts and bolts for which no special values are determined. All values apply to dry and grease-free threads.

Thread	M4	M5	M6	M8	M10/12
Tightening torque in Nm mini/max	1,5/3 Nm	3/6 Nm	7/12 Nm	10/20 Nm	20/30 Nm

Caution: All other nuts not noted here must be tightened FINGERTIGHT!

Suggested Maintenance Procedures

1. Before using your wheelchair, make sure all nuts and bolts are tight. Check all parts for damage or wear and replace. Check all parts for proper adjustment.
2. Keep quick release axles free of dirt and lint to ensure positive locking and proper operation. Refer to [Adjusting Quick Release Axles](#) on section 5.

⚠ WARNING

DO NOT use WD-40, 3-in- 1 oil, or other penetrating lubricants on quick-release axles. Otherwise, binding and/or damage to the wheelchair may occur.

3. Clean quick release axles once a week with a Teflon lubricant.

⚠ WARNING

DO NOT use your wheelchair unless it has the proper tyre pressure (BAR, KPa or P.S.I.). DO NOT over inflate the tyres. Failure to follow these suggestions may cause the tyre to explode and cause bodily harm. The recommended tyre pressure is on the sidewall of the tyre.

4. Recommended tyre pressure is listed on the sidewall of the tyre (BAR, KPa or P.S.I.).

⚠ CAUTION

As with any vehicle, the wheels and tyres should be checked periodically for cracks and wear, and should be replaced if damaged.

5. The wheels, casters and tyres should be checked periodically for cracks and wear, and should be replaced when necessary.
6. Regularly check for loose spokes in the rear wheels. If loose, have them adjusted.
7. Periodically check handrims to ensure they are secured to the rear wheels. Refer to [Replacing Handrims](#) on section 5.
8. Periodically check caster wheel bearings to make sure they are clean and free from moisture. Use a Teflon[®] lubricant if necessary.
9. Check upholstery for sagging, rips or tears.
10. Clean upholstery with mild soap and water.

Stability Warning

The seat height, seat depth, back angle, seating system/upholstery, size/position of the rear wheels, size/position of the front casters, seating options (e.g. headrest, back bag,...) as well as the user condition directly relate to the stability of the wheelchair. Any change to one or any combination of these factors changes the centre of gravity and may cause the wheelchair to increase/decrease in stability.

<i>NOTE: When changes to the left hand column occur, follow across the chart and refer to the X procedure to maintain the proper stability, safety and handling of the wheelchair.</i>	SEAT HEIGHT	SEAT DEPTH	BACK ANGLE	SEATING SYSTEM/UPHOLSTERY	CASTOR SIZE	CASTOR POSITION	REAR WHEEL SIZE	REAR WHEEL POSITION	USER CONDITION	WHEEL BRAKES	ANTI-TIPPERS
SEAT HEIGHT	•	X	X	X	X	X	X	X	N/A	N/A	N/A
SEAT DEPTH	X	•	X	X	X	X	X	X	N/A	N/A	N/A
BACK ANGLE	X	X	•	X	X	X	X	X	N/A	N/A	N/A
SEATING SYSTEM/UPHOLSTERY	X	X	X	•	X	X	X	X	X	N/A	N/A
CASTER SIZE	X	N/A	X	N/A	•	X	X	X	N/A	X	X
CASTER POSITION	X	N/A	X	N/A	X	•	X	X	N/A	X	X
REAR WHEEL SIZE	X	N/A	X	N/A	X	X	•	X	N/A	X	X
REAR WHEEL POSITION	X	N/A	X	N/A	X	X	X	•	N/A	X	X
USER CONDITION	X	X	X	X	X	X	X	X	•	N/A	N/A

Seat-to-floor heights have specific positions depending on rear wheel size, rear wheel position, front caster size/position and seat-to-floor angle.

SECTION 2—FRONT HANGERS

WARNING

After ANY adjustments, repair or service and before use, make sure all attaching hardware is tightened securely - otherwise injury or damage may occur. To adjust the leg rest, refer to dedicated paragraphs in user manuals. A 50 mm clearance between the bottom of the footplate and the ground/floor **MUST** be maintained always.

Adjusting Footrest Height

NOTE: For this procedure, refer to FIGURE 2.1.

1. Remove calf strap, if so equipped.
2. Unscrew locking screw.
3. Position the footrest assembly to the desired height.

NOTE: A 50 mm clearance between the bottom of the footplate and the ground/floor MUST be maintained always.

4. If the distance between the bottom of footplate and the ground/floor is not 5 mm minimum, adjust footrest tube accordingly.
5. Using the locking screw (M6), secure the footrest tube to the footrest support. Securely tighten.
6. If necessary, repeat STEPS 2-5 to adjust remaining footrest.
7. Reinstall the calf strap, if so equipped.

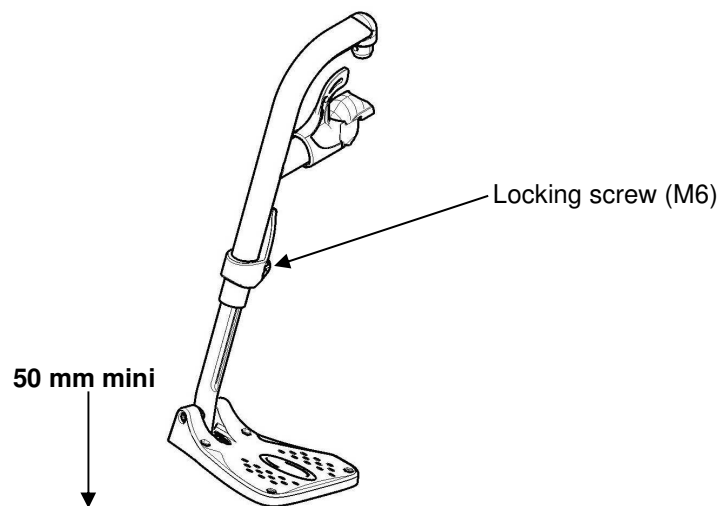


FIGURE 2.1 Adjusting Footrest Height

Replacing Heel Strap

NOTE: For this procedure, refer to FIGURE 2.2.

1. Remove the locking screw that secure the footrest tube to the footrest support.
2. Remove the lower footrest assembly.
3. Remove the mounting screw, strap pin that secure the heel strap to the footplate.
4. Slide heel strap over footrest tube.

NOTE: When securing the heel strap to the footrest assembly, tighten the mounting screw and strap pin until they are secure.

5. Using the mounting screw, strap pin, secure the heel strap to the footplate.
6. Using the locking screw (M6), secure the footrest tube to the footrest support.

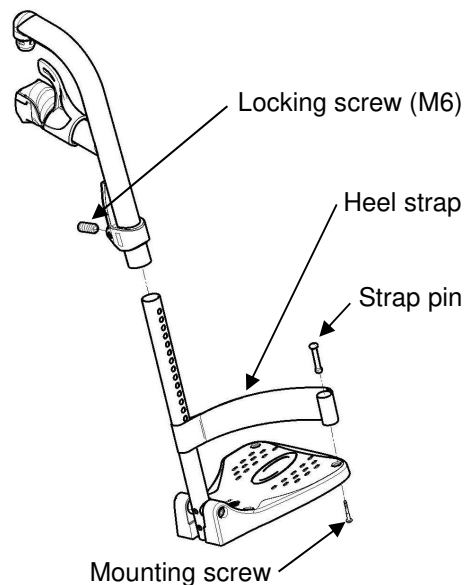


FIGURE 2.2 Replacing Heel Strap

Installing Calf Strap

NOTE: For this procedure, refer to FIGURE 2.3.

1. Secure the optional calf strap around the hanger hook.

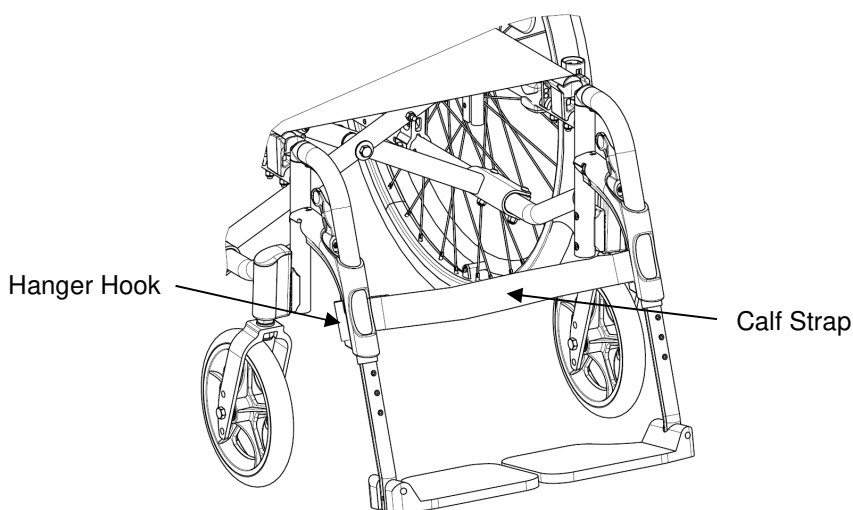


FIGURE 2.3 Installing Calf Strap

Installing Angle Adjustable Footplate

NOTE: For this procedure, refer to FIGURE 2.4.

NOTE: This procedure is for individual Angle and Depth Adjustable Footrests standard version (1) and new version (2) only.

1. Position the angle adjustable footplate on the footrest support tube at the desired height.
2. Using the locking screw, loosely secure the angle adjustable footplate to the footrest support tube.

NOTE: Refer to Adjusting Footrest Height paragraph on page 9.

3. Using the mounting screw, adjust to the desired angle by rotating the footplate and depth by sliding the footplate into the tooth plates support.
4. Using the mounting screw © version (1) or © version (2), secure the Angle Adjustable Footplate to the footrest tube. Securely tighten.
5. If necessary, repeat STEPS 1-4 to adjust remaining Angle Adjustable Footplate.

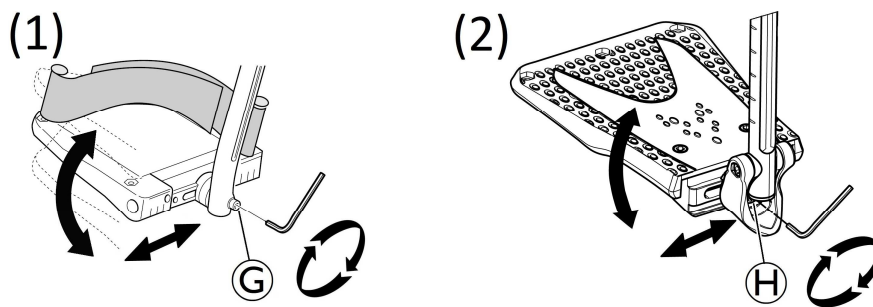


FIGURE 2.4 Installing Angle Adjustable Footplate

Adjusting Elevating Legrest Angle, Height and Calf pad Height/Depth

NOTE: For this procedure, refer to FIGURE 2.5.

Adjusting the Legrest Angle

1. Loosen locking knob © securing the rotating axle of the elevating legrest.
2. Adjust to desired angle, securely engage the locking knob ©.
3. If necessary, repeat STEPS 1-2 to adjust remaining elevating legrest angle.

Adjusting the Footplate Height

1. Loosen locking screw © securing the slide tube of the elevating legrest.

2. Reposition footplate to desired height, securely tighten locking screw ②.
3. If necessary, repeat STEPS 1-2 to adjust remaining footplate height.

Adjusting Calf pad Height

1. Loosen the locking button ③ that secure the calf pad bracket to the elevating legrest assembly.
2. Slide the calf pad bracket up or down until the desired calf pad height is obtained.
3. Tighten the locking button ③ securing the calf pad bracket to the elevating legrest assembly.
4. If necessary, repeat STEPS 1-3 to adjust remaining calf pad bracket.

Adjusting Calf pad Depth

1. Remove the mounting screw ⑥ that secure the calf pad ⑤ to the calf pad bracket.
2. Insert mounting screw ⑥ through one of four calf pad bracket mounting holes.
3. Using the mounting screw ⑥, secure the calf pad to the calf pad bracket.
4. If necessary, repeat STEPS 1-3 to adjust remaining calf pad assembly.

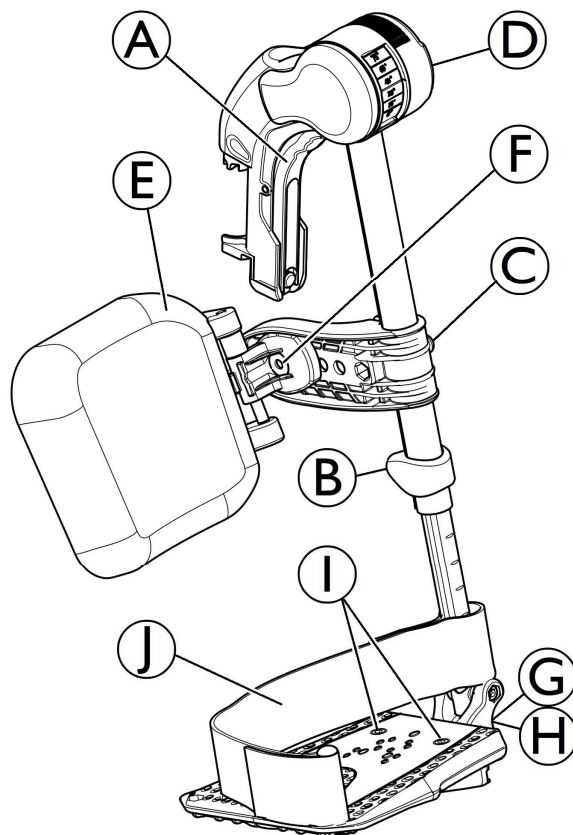


FIGURE 2.5 Adjusting Elevating Legrest Height and Calf pad Height/Depth

SECTION 3—ARMRESTS

WARNING

After ANY adjustments, repair or service and BEFORE use, make sure all attaching hardware is tightened securely - otherwise injury or damage may occur.

Removing/Installing and Adjusting Removable Armrests (n°1 & n°4)

NOTE: For this procedure, refer to FIGURE 3.1.

Removing/Installing removable armrest (n°1 & n°4)

NOTE: To remove the removable armrest, reverse this procedure.

1. Previously press on the locking mechanism A located at the bottom of the armrest vertical bracket.
2. Pull /Push the armrest by the arm cushion out of the holder.
3. To adjust how easy or difficult it is to pull/push the armrest out of the holder, change the degree to which the 4 screws D (M6) are tightened.

Adjusting removable armrest Height

NOTE: For this procedure, refer to FIGURE 3.1.

1. Remove the removable armrest. Refer to Removing/Installing removable armrest paragraph.
2. Loosen the screw B (M6) in the groove C of the armrest tube.
3. Move the armrest upwards or downwards until you reach the desired height, while keeping screw B (M6) in place (at the top edge of the holder).
4. Tighten firmly the screw B (M6).
5. Perform the setting on both sides.
6. Reinstall the removable armrest. Refer to Removing/Installing removable armrest paragraph.

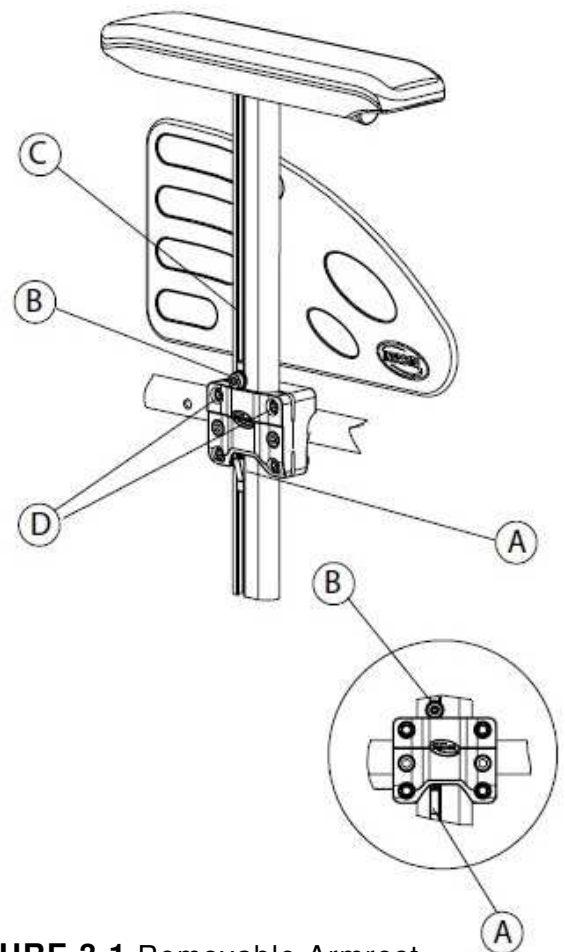


FIGURE 3.1 Removable Armrest

Removing/Installing Swing Away Armrests (n° 2 & n° 3)

Removing/Installing Swing Away Armrest (n° 2 & n° 3)

NOTE: For this procedure, refer to FIGURE 3.2.

Removing Swing Away Armrest

1. Unlock existing armrest assembly by operate the push bracket.
2. Swing back on the existing armrest to remove from the front arm socket.
3. Pull up on the existing armrest to remove from the rear pivot socket.
4. Repeat STEPS 1-3 for opposite side of wheelchair, if necessary.

Installing Swing Away Armrest

1. If necessary, remove existing armrest assembly as describe above.
2. Install new/existing armrest assembly, first into the rear pivot socket and into the front arm socket.
3. Lock new/existing armrest assembly by operate the push bracket. Make sure that the dog point is properly engaged in its housing.
4. Repeat STEPS 1-3 for opposite side, if necessary.

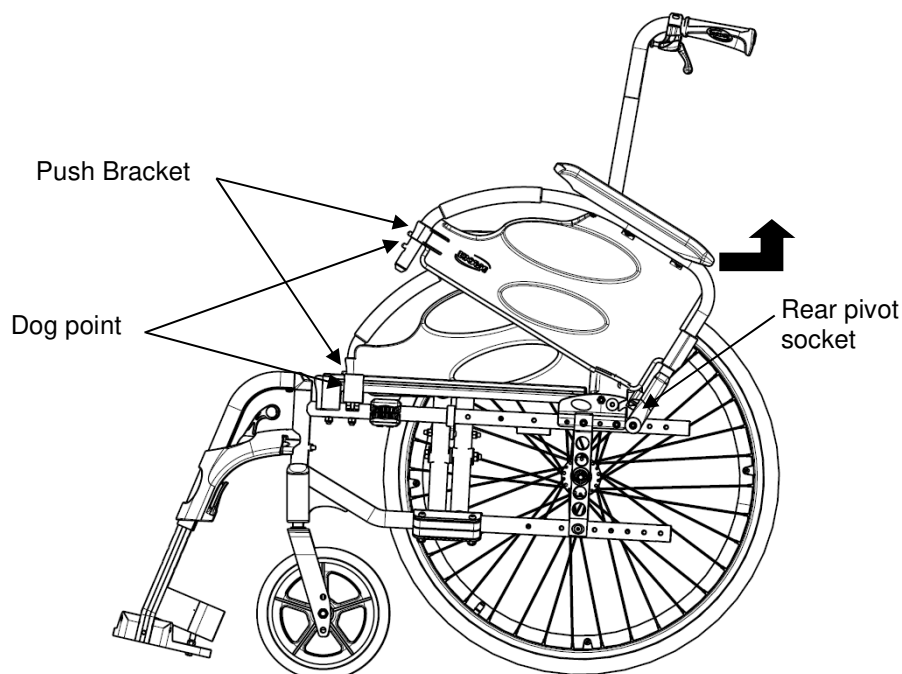


FIGURE 3.2 Removing/Installing Swing Away Armrest

Replacing Armrest Arm pad

NOTE: For this procedure, refer to FIGURE 3.3.

1. Remove the mounting screws that secure the arm pad to the armrest assembly.
2. Replace arm pad and securely tighten with the existing mounting screws (M5).
3. Repeat STEPS 1-2 for the opposite side if necessary.

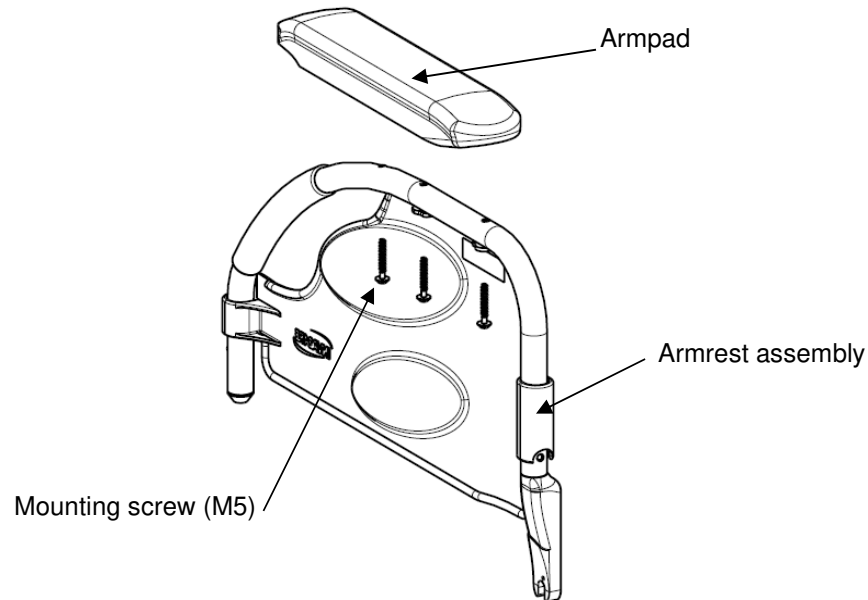


FIGURE 3.3 Replacing Armrest Arm Pad

SECTION 4—SEAT/BACK

⚠ WARNING

The seat height, seat depth, back angle, seating system, size/position of the rear wheels, size/position of the front casters, seating options (e.g. headrest, back bag, ...) as well as the user condition directly relate to the stability of the wheelchair. Any change to one or any combination of the nine may cause the wheelchair to decrease in stability. Refer to table on page 6.

After ANY adjustments, repair or service and BEFORE use, make sure all attaching hardware is tightened securely - otherwise injury or damage may occur.

Removing Back-Canes

Removing Standard Back-Canes

NOTE: For this procedure, refer to FIGURE 4.1 A.

1. Remove the mounting screw and locknut (M6) that secures the back-cane to the back-cane bracket.
2. Repeat STEP 1 for the other back-cane.
3. Remove the back-canes out of the back-cane brackets.

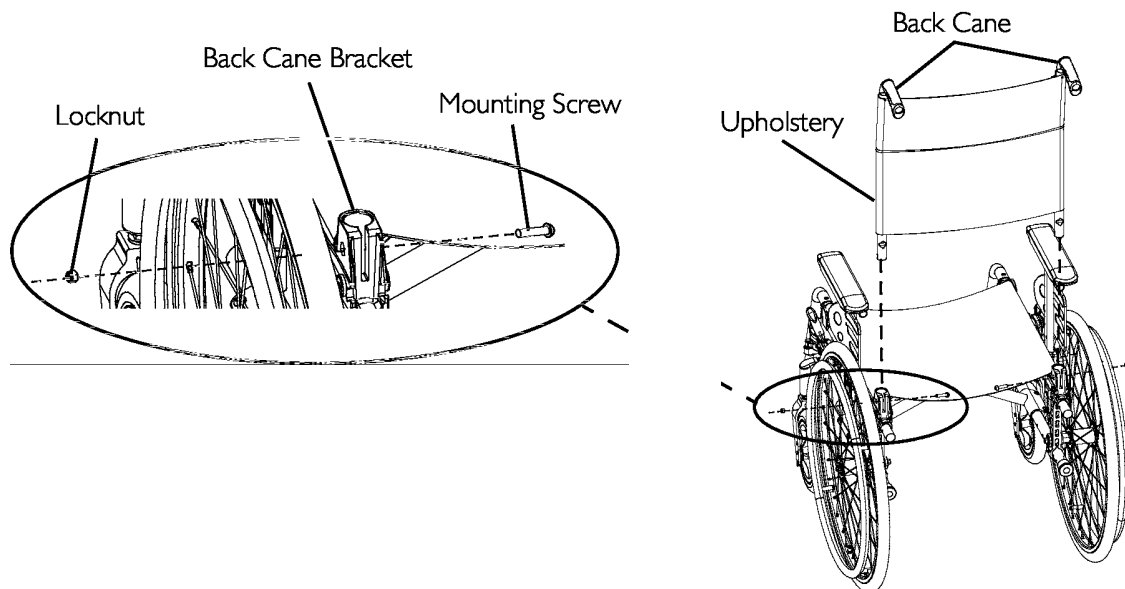


FIGURE 4.1 A Removing Standard Back-Canes

Removing Angle Adjustable Back-Canes

NOTE: For this procedure, refer to FIGURE 4.1 B.

1. Remove the mounting screw and locknut (M6) that secures the back-cane to the back-cane bracket.
2. Repeat STEP 1 for the other back-cane.
3. Remove the back-canes out of the back-cane brackets.

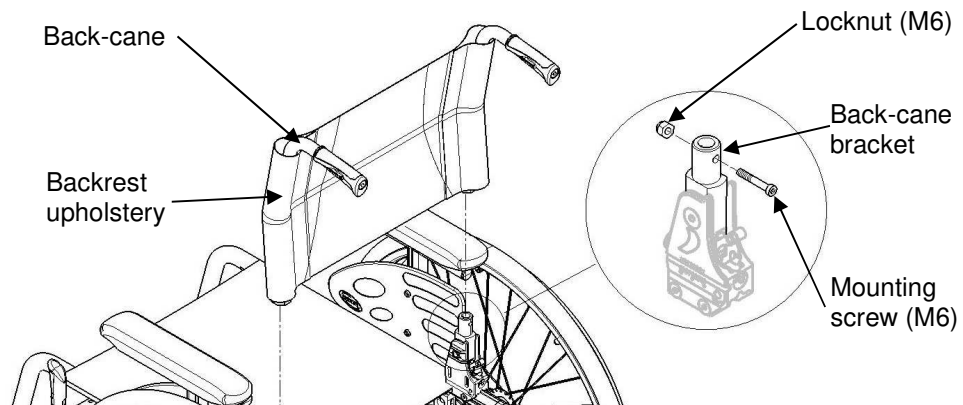


FIGURE 4.1 B Removing Angle Adjustable Back-Canes

Removing/Installing Seat Upholstery

NOTE: For this procedure, refer to FIGURE 4.2, next page.

Removing Seat Upholstery

NOTE: To install the seat upholstery, reverse this procedure.

1. Fold the wheelchair.
2. Remove the mounting screws (Torx) that secures the seat upholstery to the front and back seat rails.
3. Remove the end caps from the front of the seat rails.
4. Slide the seat upholstery out of the seat rails.

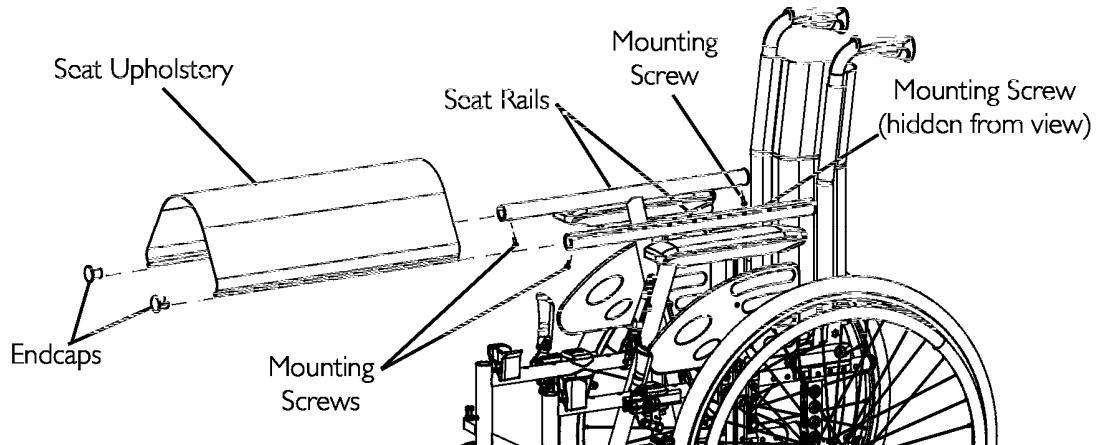


FIGURE 4.2 Removing/Installing Seat Upholstery

Removing/Installing Standard Back Upholstery

NOTE: For this procedure, refer to FIGURE 4.3.

Removing Back Upholstery

NOTE: To Install the Back Upholstery, reverse this procedure.

1. Remove the back-canes. Refer to [Removing Back-Canes](#) paragraph.
2. Remove the mounting screw that secures the back upholstery to the back-canes. Refer to Detail "A".
3. Remove the back upholstery from the back-canes. Refer to Detail "B".

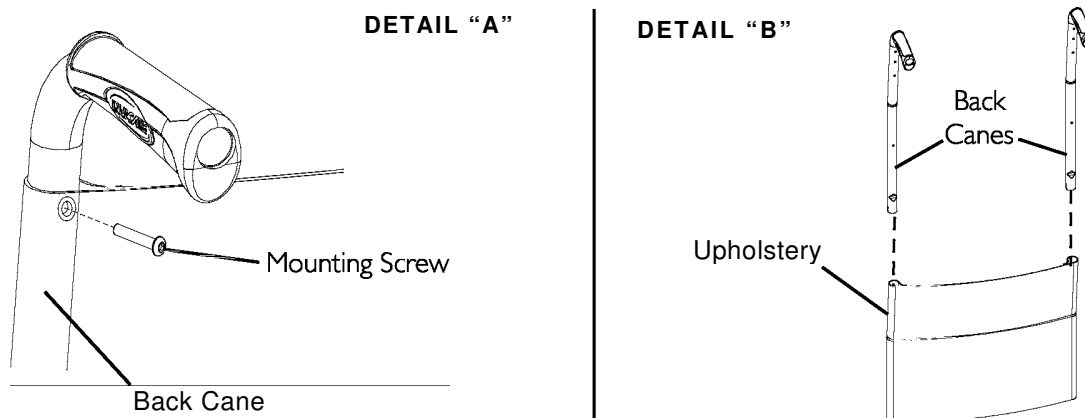


FIGURE 4.3 Removing/Installing Standard Back Upholstery

Contour (adjustable) Back-Upholstery

Contour (adjustable) Tension Strips

The adjuster strips can be adjusted at various levels of tension to accommodate individual end users. In a typical scenario, the bottom two strips can be adjusted tightly to support and/or assist the extensor muscles.

Installing/Replacing Adjustable Back-Upholstery

NOTE: For this procedure, refer to FIGURE 4.4, next page.

Installing

1. Remove the existing back-upholstery from the wheelchair. Refer to Removing/Installing Standard Back-Upholstery paragraph.
2. Slide each section (anchor loop/adjuster strap) of the adjustable back-upholstery with the grommet hole facing the rear of the wheelchair.
3. Secure the adjustable back-upholstery to the back-canes with the two mounting screws.

NOTE: Clean the upholstery with warm water and mild detergent to remove superficial soil.

WARNING

Ensure that the wheelchair is fully opened, the back brace is fitted, and the seat rails properly located. The fastening straps MUST be securely fastened before applying the back-upholstery cover. The Contour (adjustable) back should be checked whenever entering the wheelchair to ensure that the fastening strips are securely fastened.

4. Slip adjuster straps through corresponding anchor loops and adjust the back upholstery. Secure with the fastening strips.
5. Secure the back-upholstery cover (fastening strap) to the back of the adjustable back-upholstery (fastening strap).
6. Flip the back-upholstery cover over the adjustable back-upholstery and secure the fastening strips to the front of the adjustable back-upholstery.
7. Lay the front portion of the back-upholstery cover on the seat upholstery.
8. Adjust the slack in the back-upholstery cover and then secure to the seat upholstery.

Replacing

1. Lift up on the existing back-upholstery cover and remove the cover from the wheelchair.
2. Remove the two mounting screws and washers that secure the existing adjustable back-upholstery to the back-canes.
3. Slide each section (anchor loop/adjuster strap) of the existing adjustable back-upholstery off from the back-canes.
4. Slide each section (anchor loop/adjuster strap) of the new adjustable back-upholstery with the grommet hole facing the rear of the wheelchair.
5. Secure new adjustable back-upholstery to the back-canes with the two mounting screws and washers.

WARNING

Ensure that the wheelchair is fully opened, the back brace is fitted, and the seat rails properly located. The fastening strips MUST be securely fastened before applying the back-upholstery cover. The Contour (adjustable) back should be checked whenever entering the wheelchair to ensure that the fastening strips are securely fastened.

6. Slip adjuster strips through corresponding anchor loops and adjust the back-upholstery. Secure with the fastening strips.
7. Secure the new back-upholstery cover (fastening strap) to the back of the new adjustable back-upholstery (fastening strap).
8. Flip the new back-upholstery cover over the new adjustable back-upholstery and secure the fastening strips to the front of the new adjustable back-upholstery.
9. Lay the front portion of the new back-upholstery cover on the seat upholstery.
10. Adjust the slack in the new back-upholstery cover and then secure to the seat upholstery

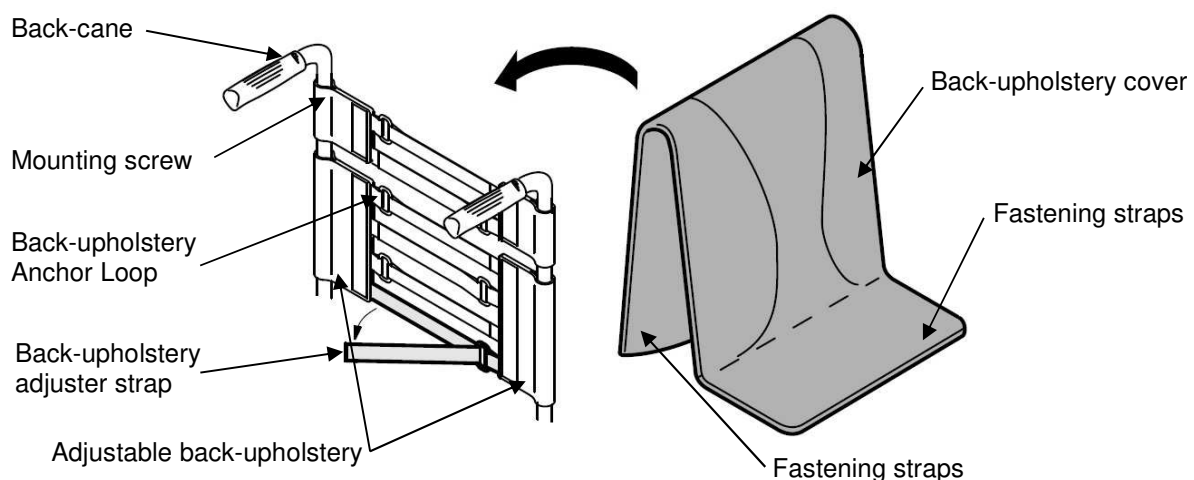


FIGURE 4.4 Installing/Replacing Contour (adjustable) Back Upholstery

Adjusting the Height Adjustable Back

NOTE: For this procedure, refer to FIGURE 4.5.

1. Loosen, but DO NOT remove, the height adjustment knobs.
2. Reposition the back canes to the desired height.

NOTE: Both back canes should be adjusted to the same height.

NOTE: DO NOT raise push handles to maximum height when tilting the chair.

3. Tighten the height adjustment knobs.

NOTE: To prevent accidental removal of a back cane, the spring button lock will engage at the full extension of the back cane. To disengage the button, press the button located below the height adjustment, under the upholstery, on the back cane (Detail "A").

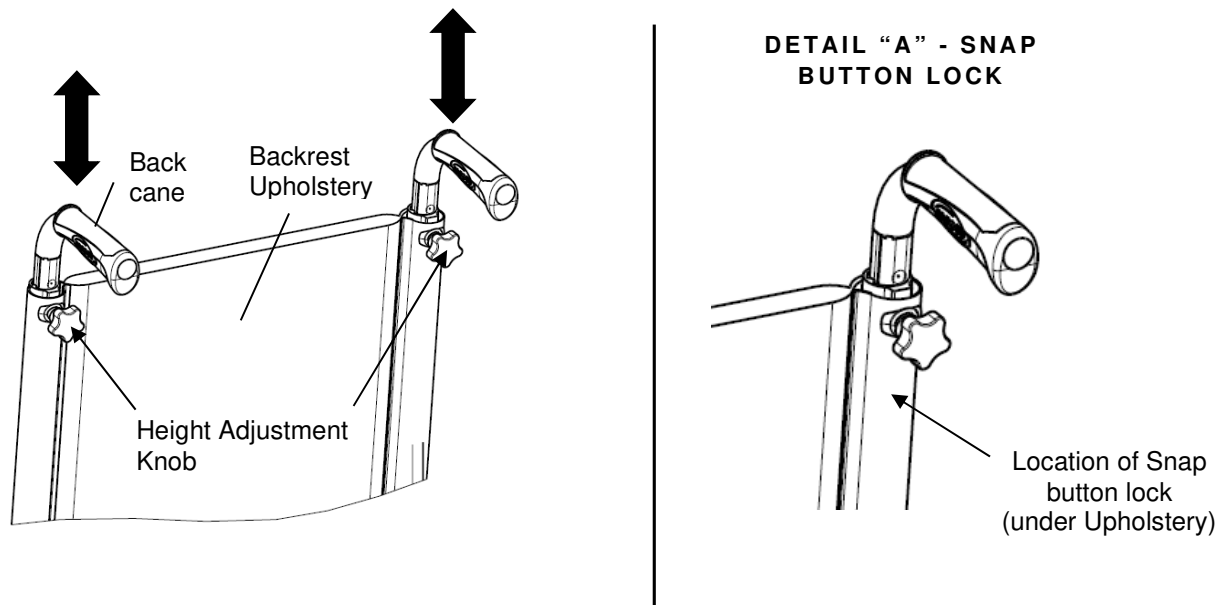


FIGURE 4.5 Adjusting the Height Adjustable Backrest cane

Adjusting the Angle Adjustable Backrest

NOTE: For this procedure, refer to FIGURE 4.6, next page.

NOTE: This procedure applies to adjustable angle backs only (refer to detail "A").

NOTE: The backrest angle adjusts from -15° to $+15^{\circ}$ (step less).

1. Adjust the back angle thanks to the adjustable screw "A".
2. Turn Allen key (5 mm) clockwise to obtain a negative angle.
3. Alternatively, turn Allen key (5 mm) under clockwise to obtain a positive angle.
4. Ensure both adjustment to the desired angle are equal on each side of the Back Cane Bracket. Refer to Detail "B" of FIGURE 4.6

NOTE: Both backrest angle should be set to the same position.

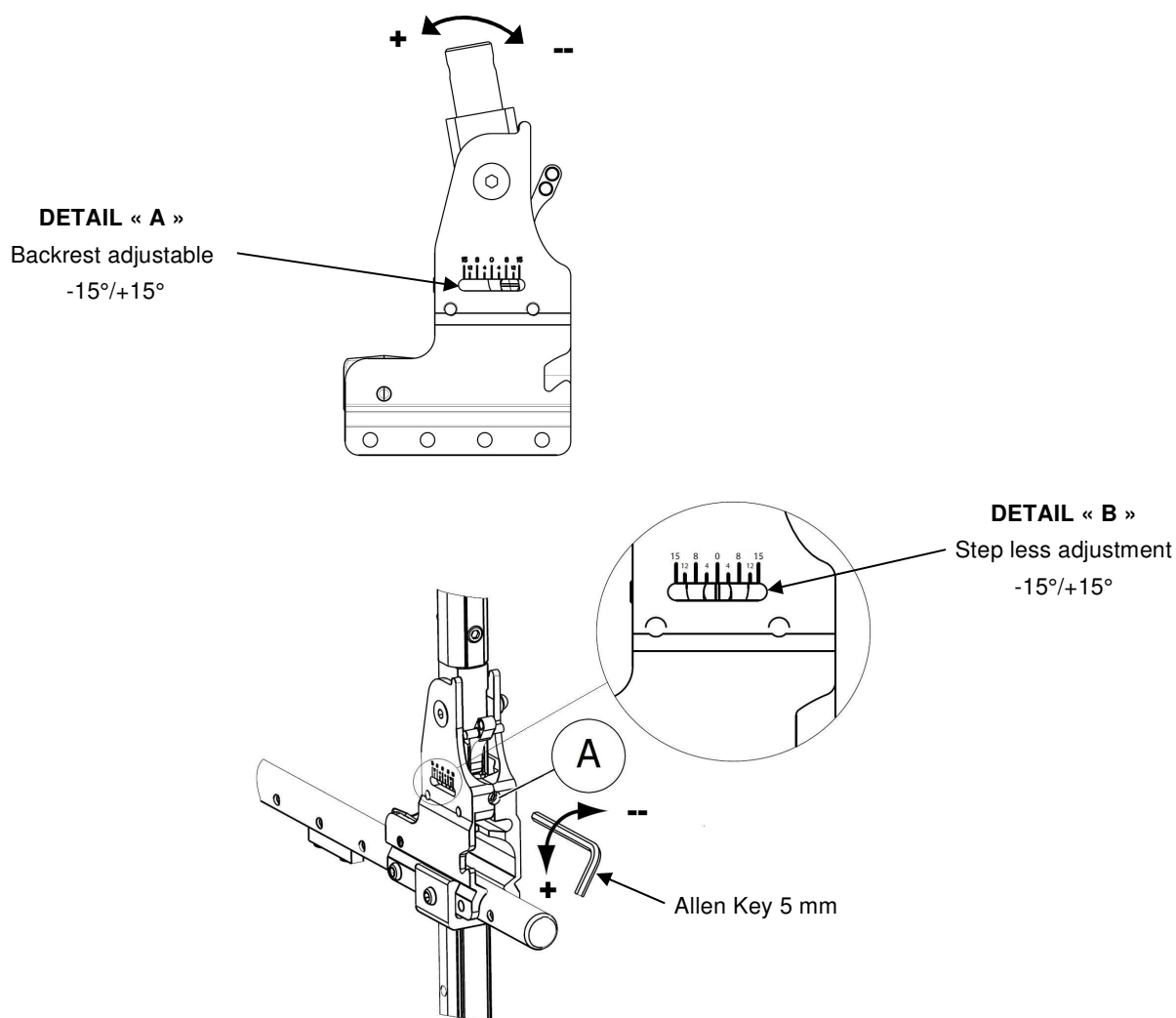


FIGURE 4.6 Adjusting the Angle Adjustable Backrest

Removing/Installing different type of Backrests

NOTE: For this procedure, refer to FIGURE 4.7 (next page).

Folding backrest

NOTE: To Install the Fixed/Folding backrest, reverse this procedure from STEP 3 to 1.

1. Remove the back-cane bracket. Refer to Removing Back Cane Bracket paragraph.
2. Pull up on the seat upholstery.
3. Remove the two mounting screws and locknuts (M6) that secure the back-cane bracket to the wheelchair frame.
4. Install the new set including the appropriate backrest upholstery

NOTE: Both back canes should be set to the same adjustment hole.

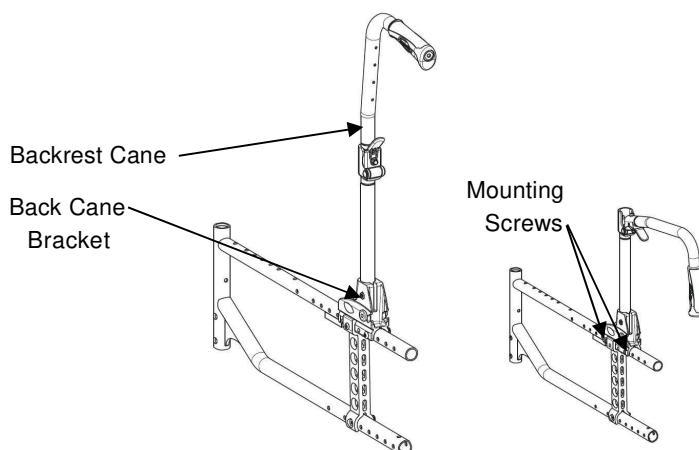


FIGURE 4.7 Fixed/Folding Backrest

Removing/Installing different type of Backrests

Recliner backrest (Mechanical and Gas strut versions)

NOTE: For this procedure, refer to FIGURE 4.8.

To Install the Recliner backrest reverse this procedure from STEP 1 to 3.

1. Remove the back-cane bracket. Refer to [Removing Back-Cane Bracket](#) paragraph.
2. Pull up on the seat upholstery.
3. Remove the two mounting screws and locknuts that secure the back-cane bracket to the wheelchair frame.
4. Install the new set including the appropriate backrest upholstery

NOTE: Both back canes should be set to the same adjustment hole.

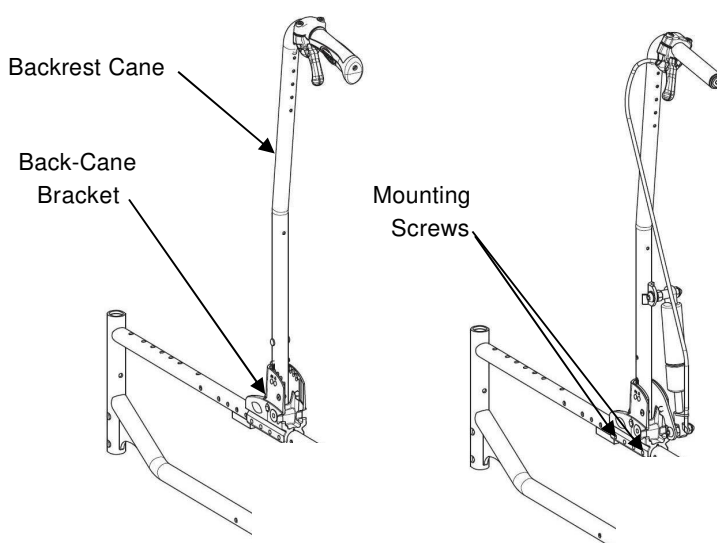


FIGURE 4.8 Recliner Backrests

Removing/Installing different type of Backrests

Comfort backrest (Mechanical and Gas strut versions)

NOTE: For this procedure, refer to FIGURE 4.9.

To Install the Comfort backrest reverse this procedure from STEP 1 to 3.

1. Remove the back-cane bracket. Refer to Removing Back Cane Bracket paragraph.
2. Pull up on the seat upholstery.
3. Remove the two mounting screws and locknuts that secure the back-cane bracket to the wheelchair frame.
4. Install the new set including the appropriate backrest upholstery and shell
(Refer to user guide to lock and unlock the complete backrest upholstery)

NOTE: Both back canes should be set to the same adjustment hole.

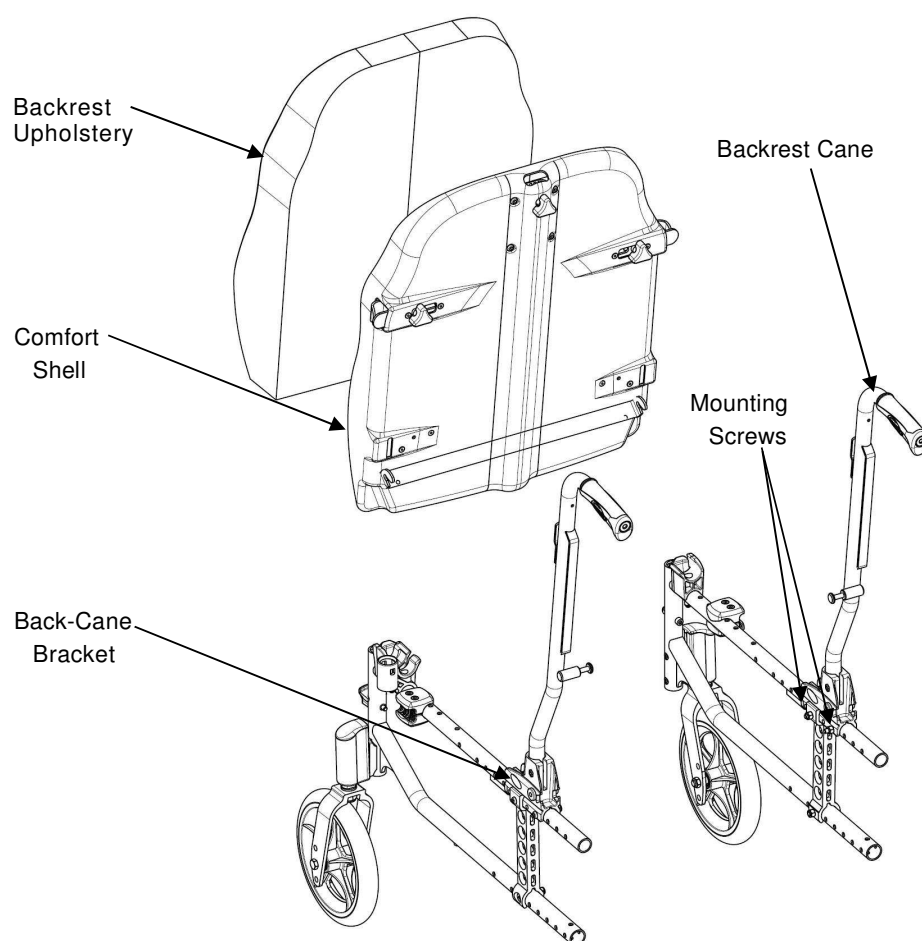


FIGURE 4.9 Comfort Backrests

Removing/Installing/Adjusting the Back-Cane Bracket

NOTE: For this procedure, refer to FIGURE 4.10.

NOTE: To install the back-cane bracket, reverse this procedure.

4. Remove the back canes. Refer to Removing Back-Canes paragraph.
5. Pull up on the seat upholstery.
6. Remove the two mounting screws and locknuts that secure the back-cane bracket to the wheelchair frame.
7. Do one of the following:
 - **To Remove:** the back-cane bracket by sliding it off the back of the wheelchair frame.
 - **To Adjust:** slide the back-cane bracket to one of the four adjustment holes on the bracket.

NOTE: Both back canes should be set to the same adjustment hole.

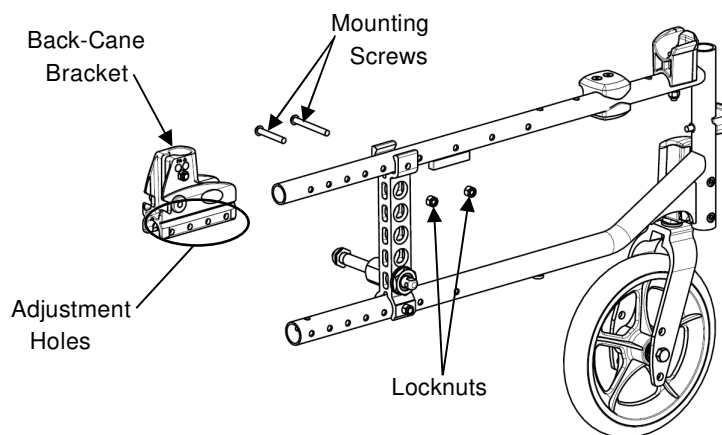


FIGURE 4.10 Removing/Installing/Adjusting the Back-Cane Bracket

Installing/Removing Seat Posture Belt

NOTE: For this procedure, refer to FIGURE 4.11.

1. Remove seat cushion from wheelchair, if necessary.
2. Remove the mounting screw and locknut that secures the seat posture belt half to the back-cane bracket.
3. Repeat STEP 2 for opposite side, if necessary.
4. Do one of the following:
 - To install the seat posture belt, proceed to STEP 6.
 - Remove the existing seat posture belt from the wheelchair.
5. Engage the two halves of the new seat posture belt.
6. Align the mounting holes on the back-cane bracket and one end of the new seat posture belt.
7. Secure the new seat posture belt to the wheelchair frame with one mounting screw and washer. Tighten securely.
8. Repeat STEPS 6 and 7 for the opposite side of the seat posture belt.
9. Reinstall seat cushion onto wheelchair, if necessary.

NOTE: Seat upholstery removed for clarity.

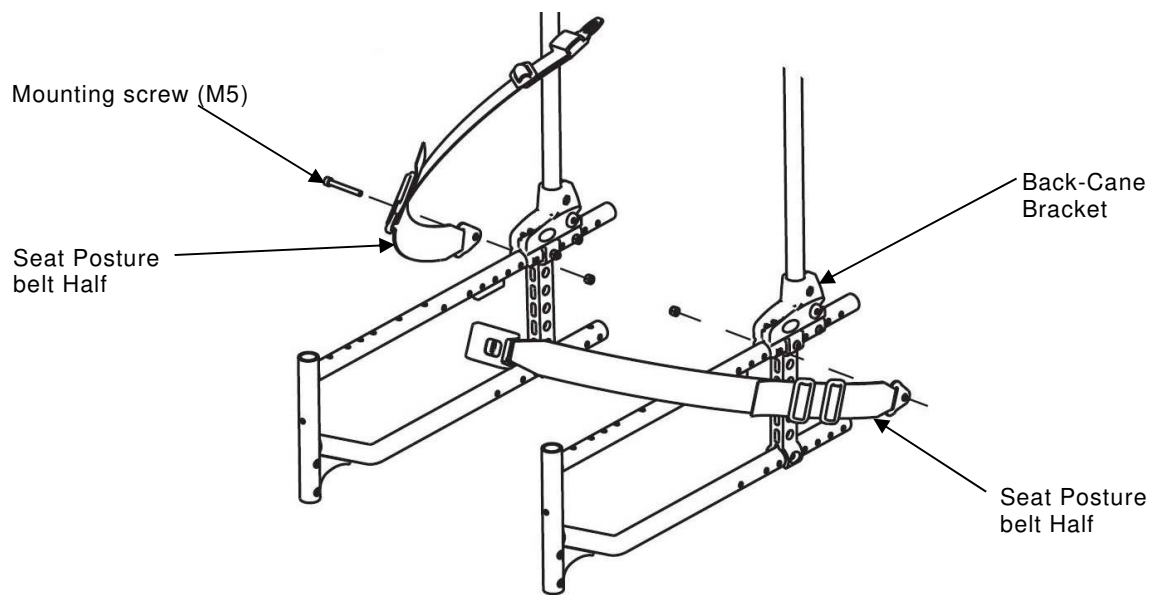


FIGURE 4.11 Installing/Removing Seat Posture Belt

Installing/Removing the Standard Back Brace

WARNING

If a back brace is already installed, you don't have to re-install the back-cane inserts (for fixed backrest canes only).

After ANY adjustments, repair or service and before use, make sure all attaching hardware is fitted and tightened securely - otherwise injury or damage may occur.

NOTE: For this procedure, refer to FIGURE 4.12.

NOTE: To remove the back brace, reverse this procedure.

1. Remove the end caps from the back-canes.
2. Remove the handles from the back-canes (Cut the handle lengthwise thanks to a sharp tool).
3. Install the inserts into the canes (fixed backrest canes only).
4. Secure the inserts with mounting screws (fixed backrest canes only).
5. Install the handles on the back-canes (Previously, spray a solution of neutral alcohol inside the handle and settle it immediately on the back-cane).
6. Align the back brace ends with the handles of the back-canes.
7. Secure the back brace to the back-canes with the hand screws.

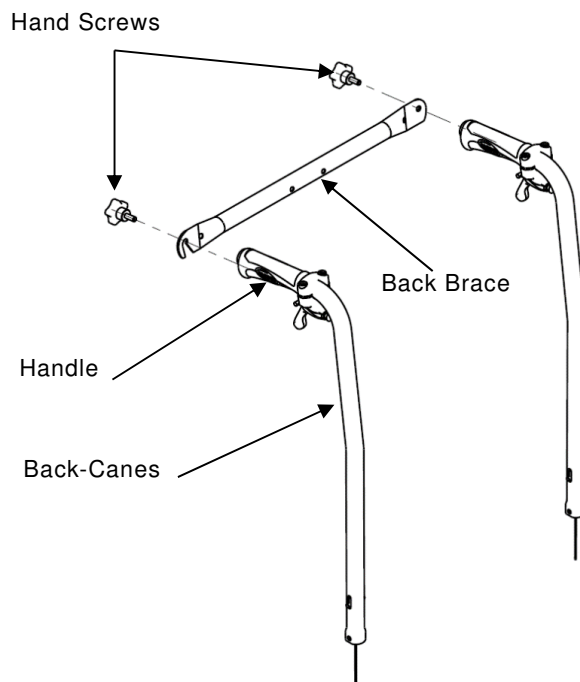


FIGURE 4.12 Installing/Removing the Back brace

Installing/Removing the Folding Back Brace

 **WARNING**

After ANY adjustments, repair or service and before use, make sure all attaching hardware is tightened securely - otherwise injury or damage may occur.

NOTE: For this procedure, refer to FIGURE 4.13.

NOTE: To remove the folding back brace, reverse this procedure.

1. Remove the upholstery from the back-canes.
2. Install the 2 mounting screws (M5) through the holes of the back-cane and into the plastic inserts.
3. Secure the back brace to the back-canes with the mounting screws (M5).
4. Reinstall back upholstery onto wheelchair.

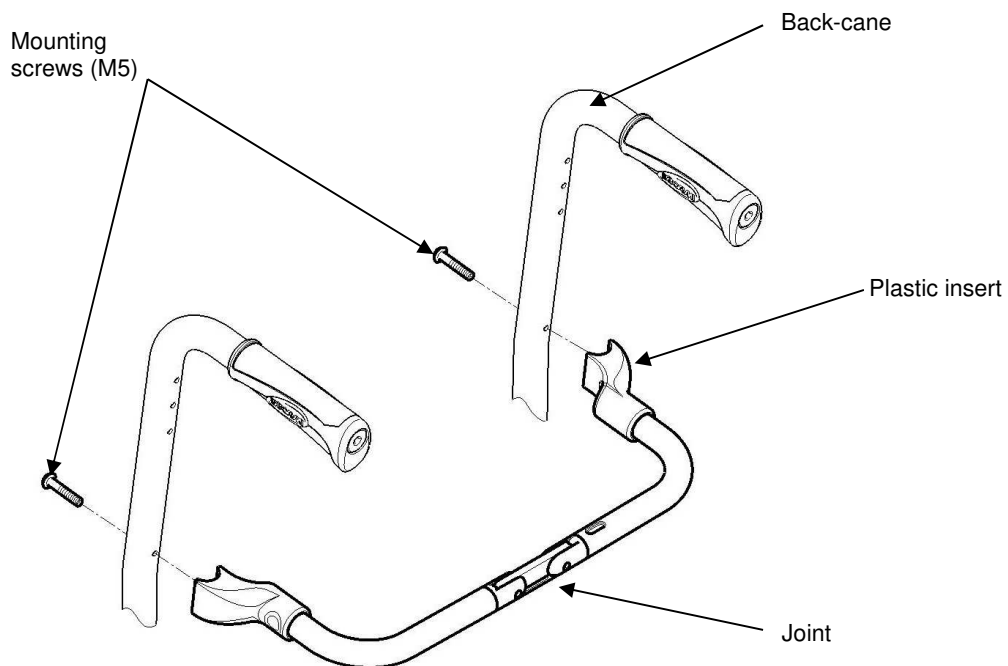


FIGURE 4.13 Installing/Removing the Folding Back Brace

SECTION 5—REAR WHEELS/FRONT CASTORS

WARNING

The seat height, seat depth, back angle, seating system, size/position of the rear wheels, size/position of the front castors, seating options (e.g. headrest, back bag, ...) as well as the user condition directly relate to the stability of the wheelchair. Any change to one or any combination of the nine may cause the wheelchair to decrease in stability.

After ANY adjustments, repair or service and before use, make sure all attaching hardware is tightened securely - otherwise injury or damage may occur.

Removing/Installing Rear Wheels

WARNING

If changing the size of the rear wheel or the seat-to-floor height, this procedure must be performed by a qualified technician.

Fixed Axles, Transit version

NOTE: For this procedure, refer to FIGURE 5.1. (See next page)

Removing rear wheels

1. 12"; remove the fixed axle, washers, dust cap and locknut that secure rear wheel to the axle brackets. Remove existing rear wheel from the wheelchair.
2. Install new/existing rear wheel onto wheelchair. Refer to [Installing Transit Kit](#) paragraph see STEPS 3-6 only.
3. 24" or 22"; remove the complete wheel and the axle bracket from the axle plate. Refer to [Removing/Installing Rear Wheels](#) paragraph.

Installing Transit Kit

1. Always make sure that the axle plate is in the passive position on both sides, refer to [Adjusting the Wheelbase Length](#) paragraph.
2. Install the axle bracket and anti-tippers bracket with the Axle brackets Hardware
3. Install fixed axle through washer, new/existing rear wheel and axle bracket.
4. Securely tighten with the existing fixed axle locknut. Torque to 25 Nm.
5. Fixed and adjust the transit brake with its brake hardware, adjust the distance between the brake shoe and the wheel, see [Adjusting Wheel Brake](#) paragraph.
6. If necessary, repeat STEPS 1-5 for opposite rear wheel.

NOTE: Both Axle brackets should be set at the same position. Head of bottom mounting screws needs to be on the outside position.

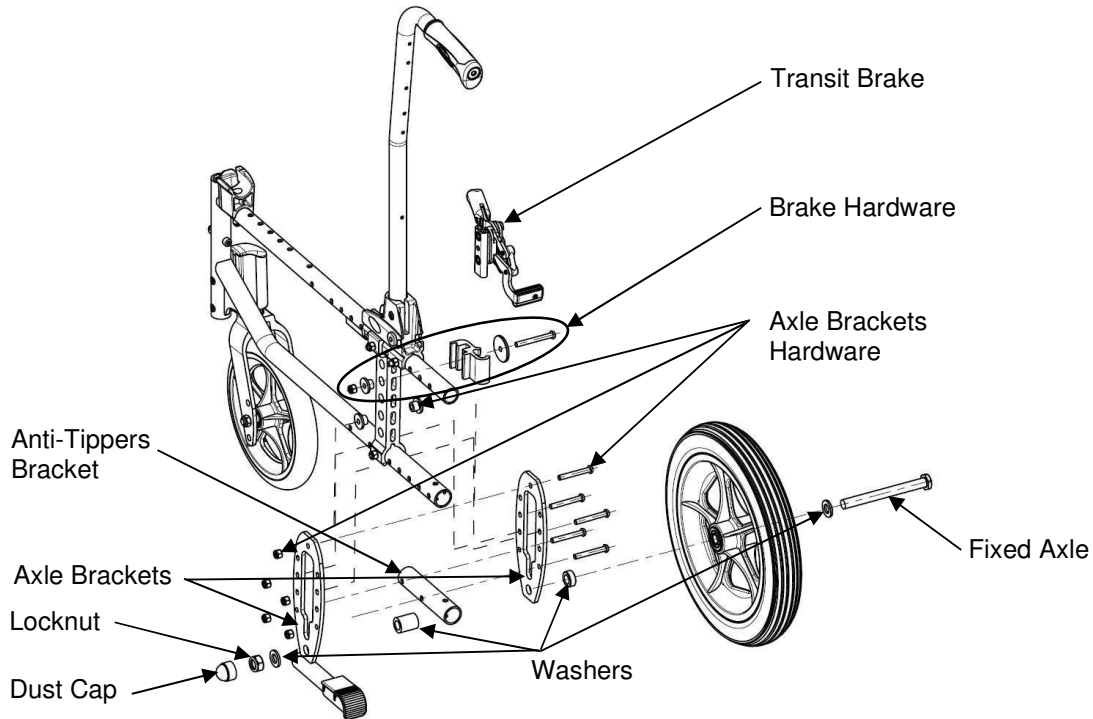


FIGURE 5.1 Removing/Installing Rear Wheels

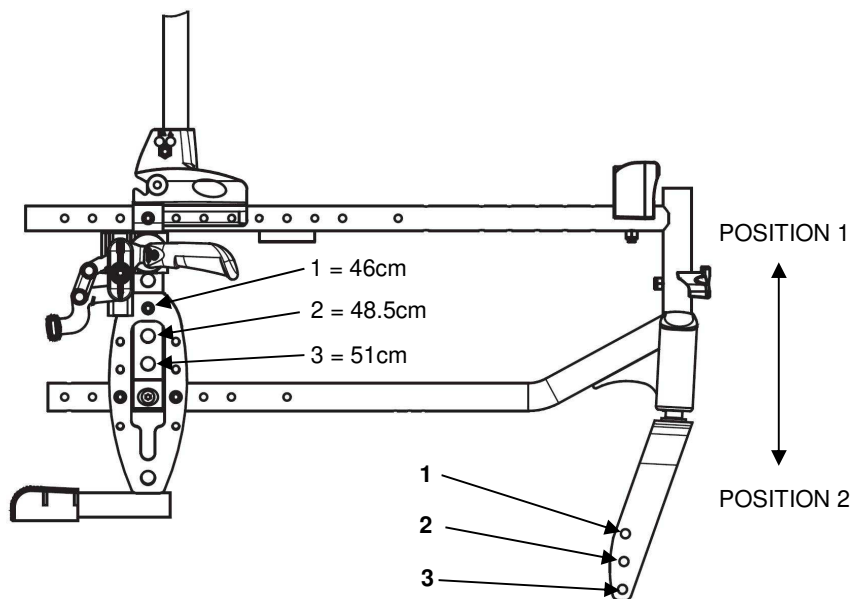
NOTE: To obtain the desired front seat to floor height (for details, see [Seat-to Floor Height](#) paragraph), it will be necessary to perform one or both of the following:

- Changing the mounting position on the fork. Refer to [Removing/Installing/Repositioning the Caster Assemblies](#) paragraph.
- Changing the fork size or adding/removing height adjustment spacers. Refer to [Adjusting Forks](#) paragraph.
- Changing the rear height positioning and /or the seat angle. Refer to the table below.

Seat Angle 0°	Rear Support	Headset Support	
Seat Height	Transit	Position 1	Position 2
38,5	12"	8"	8"
41	X		
43,5	X		
46	2	2	1
48,5	3	3	2
51	X		

Seat Angle 3°	Rear Support	Headset Support	
Seat Height	Transit	Position 1	Position 2
38,5	12"	8"	8"
41	X		
43,5	X		
46	1	2	1
48,5	2	3	2
51	3	X	3

Seat Angle 6°	Rear Support	Headset Support	
Seat Height	Transit	Position 1	Position 2
38,5	12"	8"	8"
41	X		
43,5	X		
46	X	2	1
48,5	2	3	2
51	3	X	3



Quick-Release Axles

NOTE: For this procedure, refer to FIGURE 5.2.

Removing

1. Hold the centre of the rear wheel and push in the tip of the quick release axle.
2. Pull the quick release axle and rear wheel out of the axle bracket on the wheelchair frame.
3. Push in the tip of the quick release axle again and pull the quick release axle out of the existing rear wheel.
4. Install new/existing rear wheel onto wheelchair. Refer to [Removing/Installing Rear Wheels](#) paragraph.

⚠ WARNING

Make sure the detent pin and locking pins of the quick-release axle are fully released before operating the wheelchair.

The locking pins MUST be protruding past the inside of rear wheel hub for a positive lock.

Keep locking pins clean.

Invacare recommends inserting quick-release axles with the head end to the inside of the wheelchair to prevent accidental release during contact leisure activities.

Installing

1. Install the existing quick release axle through the new/existing rear wheel.
2. Install the new/existing rear wheel and quick release axle into the axle bracket on the wheelchair frame.
3. Refer to [Adjusting Quick Release Axles](#) paragraph if the locking pins are not protruding past the inside of the axle bushing or there is too much movement of the rear wheel assembly in a back and forth position.

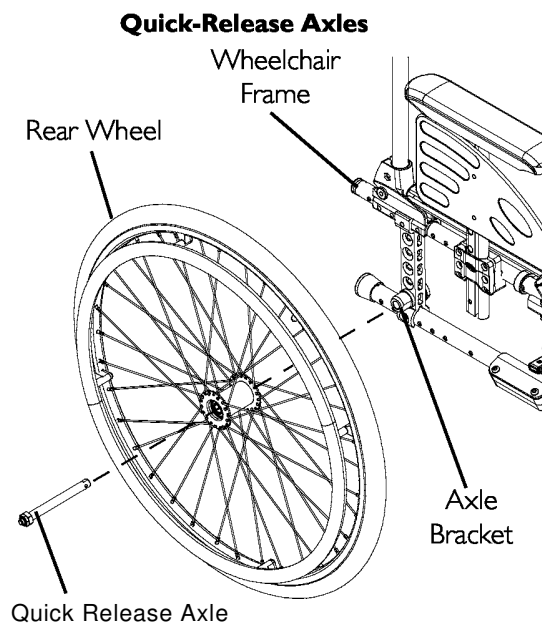


FIGURE 5.2 Removing/Installing Rear Wheels

Adjusting Quick-Release Axles

NOTE: For this procedure, refer to FIGURE 5.3.

1. Remove rear wheel and quick release axle from the wheelchair. Refer to [Removing/Installing Rear Wheels](#) paragraph.
2. Depress detent pin in the quick release axle and slide the quick release axle through the rear wheel hub.
3. Release detent pin to ensure that the locking pins are fully released.
4. Increase or decrease end play by adjusting the locknut on the end of the quick release axle.

WARNING

Make sure the detent pin of the quick release axle is fully released BEFORE operating the wheelchair. Keep locking pins clean.

5. Reinstall rear wheel onto the wheelchair. Refer to [Removing/Installing Rear Wheels](#) paragraph.
6. Repeat STEPS 4-5 until the quick release axle detent pins are fully released past the wheelchair frame.

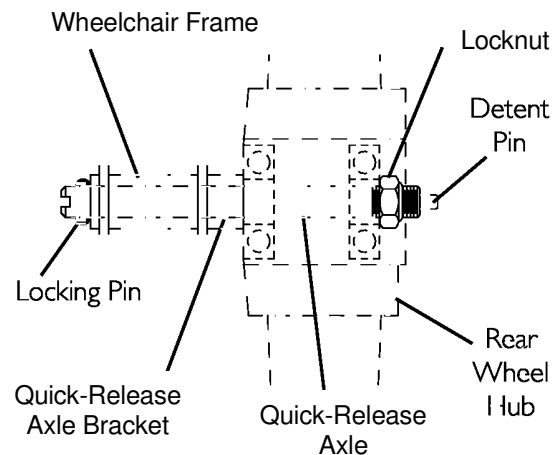


FIGURE 5.3 Adjusting Quick-Release Axles

Replacing Handrims

NOTE: for this procedure, refer to FIGURE 5.4.

NOTE: To replace the handrim, use 8 new mounting pre-glued screws (M5).

1. Remove the rear wheel from the wheelchair. Refer to [Removing/Installing Rear Wheels](#) paragraph.
2. Remove the mounting screws that secure the existing handrim to the rear wheel.
3. Remove the existing handrim.
4. Install the new handrim and secure to the rear wheel with the new mounting pre-glued screws (M5).
5. The space between the rim and handrim can be adjusted thanks to the different length of the plastic spacers.
6. Reinstall the rear wheel to the wheelchair.
7. Repeat STEPS 1 to 6 for opposite wheel, if necessary

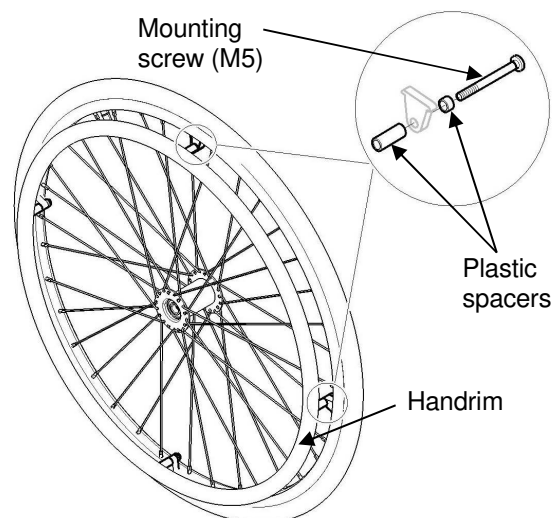


FIGURE 5.4 Replacing Handrims

Adjusting the Wheelbase Length

NOTE: For this procedure, refer to FIGURES 5.5 a; (A, B, C & D Positions), 5.5 b (Active Position) & 5.5 c (Very Active Position)

1. Remove the wheel. Refer to Removing/Installing Rear Wheels paragraph.
2. Remove the two mounting screws that secure the top and bottom of the axle plate to the wheelchair frame (A, B, C & D Positions). Remove the four mounting screws that secure the top and bottom of the axle plate to the wheelchair frame (Active Position & Very Active Position).

CAUTION

The top of the axle plate must remain on the plastic seat bracket. Otherwise, scratching and slight frame damage may occur.

3. Align the axle plate with one of four adjustment holes. There are 4 positions possible:
 - Factory setting for Fixed backrest is Standard position “A”, for Recliner backrest is Passive position “B”. Refer to detail “A” next page.
 - High Active position “C” and Medium position “D” (these positions are not a factory setting).

WARNING

The two mounting screws need to be two adjustment holes apart to maintain frame integrity (A, B, C & D Positions).

The four mounting screws need to be four adjustment holes apart to maintain frame integrity (Active Position & Very Active Position).

Respect factory settings related to backrest type (Standard “A” for Fixed, Passive “B” for Recliner), refer to detail “A” of FIGURE 5.6 and to seat depths (400 mm or 450 mm).

High Active position “C” and Medium position “D” (not factory settings) of the axle plates directly relate to the stability of the wheelchair. Any change to one or any combination of the 4 positions may cause the wheelchair to increase/decrease in stability.

Anti-tippers can be fitted to secure the stability if required. Refer to SECTION 9.

NOTE: When using the last adjustment position, the existing mounting screw needs to be switched to the front of the back-cane bracket.

4. Repeat STEPS 1 to 3 for the other axle plate.

NOTE: Both axle plates should be set at the same position. Head of bottom mounting screws needs to be on the outside position.

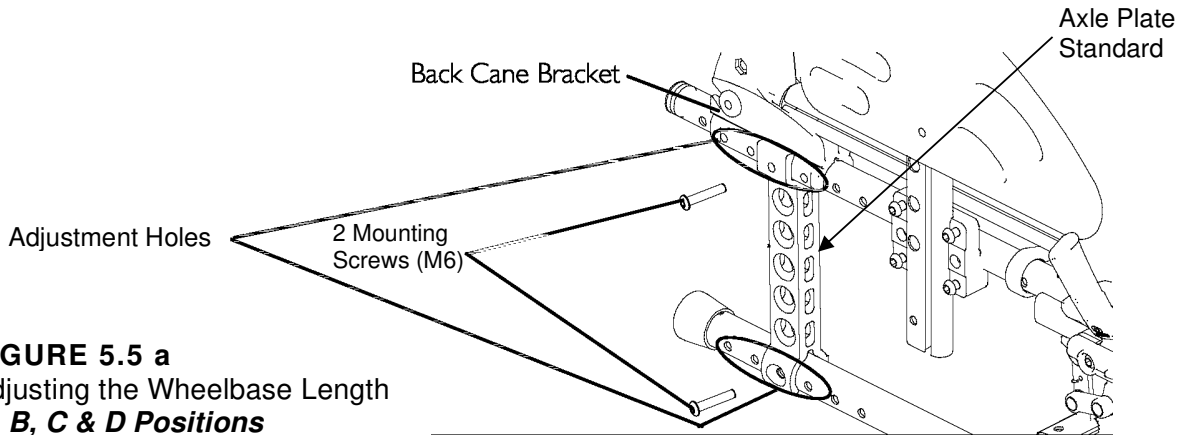


FIGURE 5.5 a
Adjusting the Wheelbase Length
A, B, C & D Positions

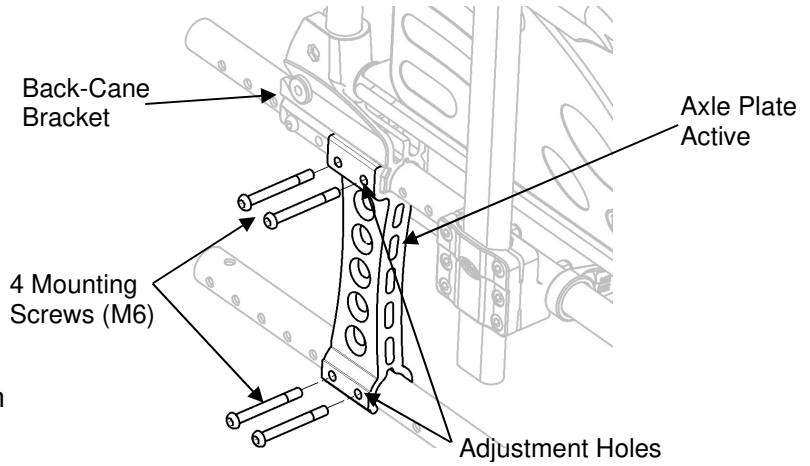


FIGURE 5.5 b
Adjusting the Wheelbase Length
Active Position

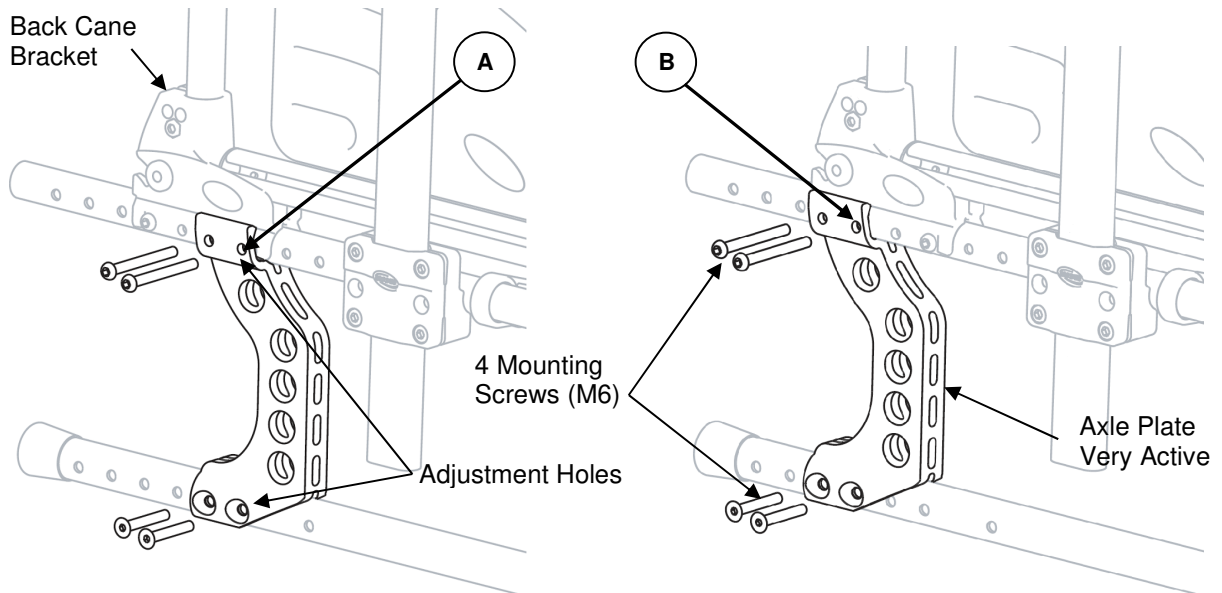


FIGURE 5.5 c
Adjusting the Wheelbase Length
Very Active (A) & Passive (B) Positions

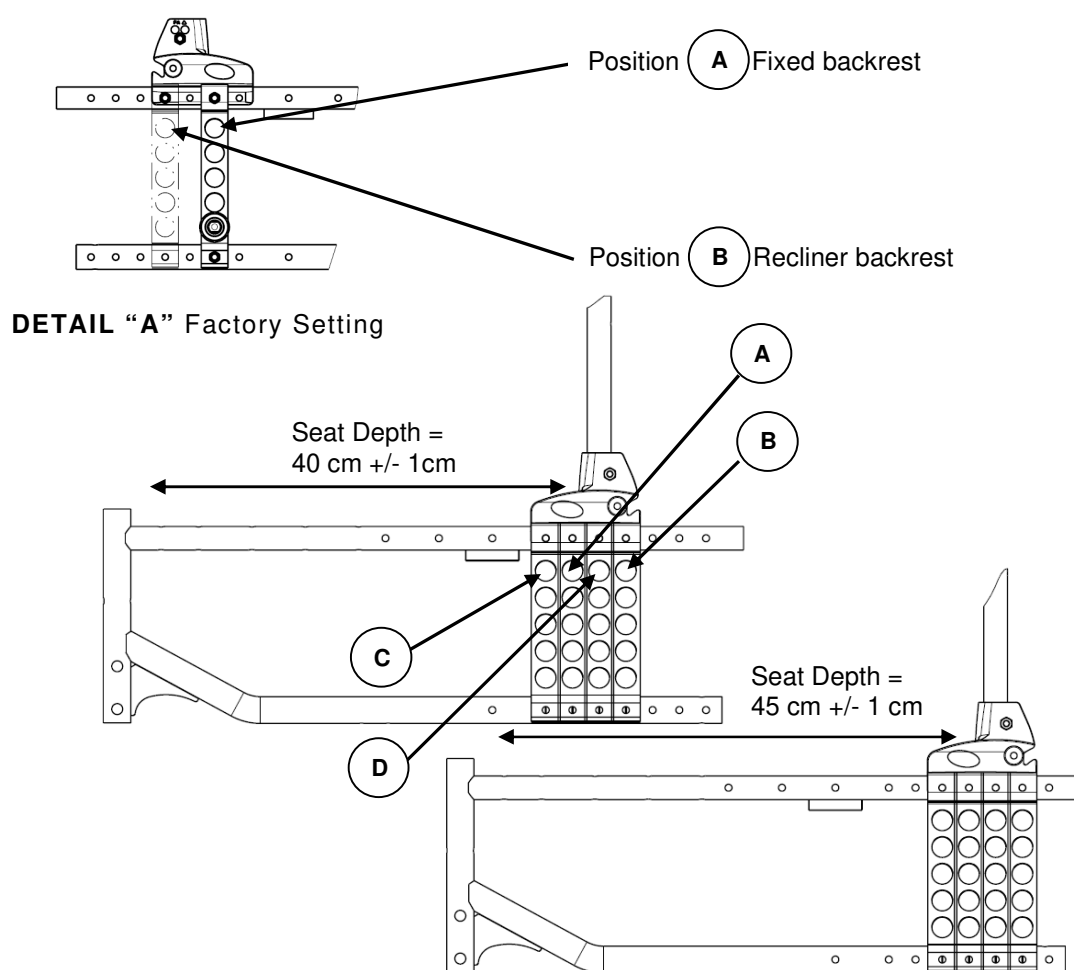


FIGURE 5.6 4 Possible Positions of Wheel Plate

Adjusting Rear Wheel Height

NOTE: For this procedure, refer to FIGURE 5.7.

1. Remove the rear wheel. Refer to Removing/Installing Rear Wheels paragraph.
2. Remove the locknut and washer that secures the axle bracket to the axle plate
3. Align the axle bracket with one of the five adjustment holes on the axle plate.
4. Secure the axle bracket to the axle plate, at the desired height, with the locknut and washer.
5. Install the rear wheel. Refer to Removing/Installing Rear Wheels paragraph.
6. Repeat STEPS 1 to 5 for the other rear wheel.

NOTE: Both rear wheels should be set at the same position.

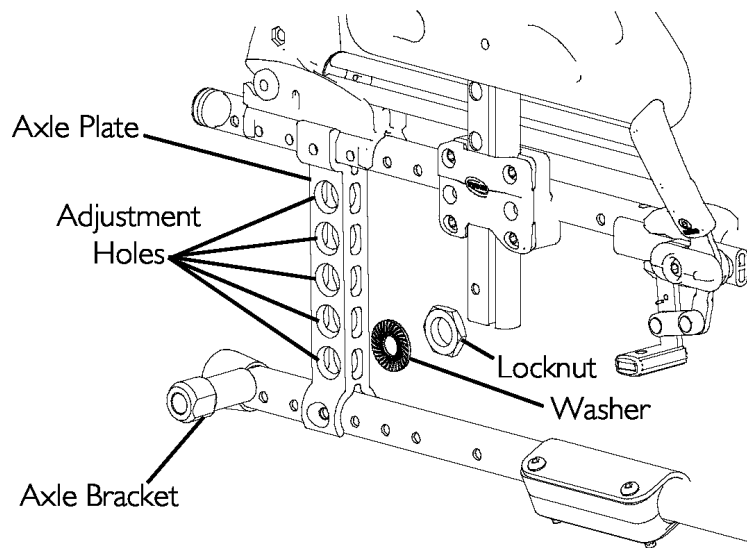


FIGURE 5.7 Adjusting Rear Wheel Height

Replacing/Repairing Rear Wheel & Front Castor Tyre/Tube

 **CAUTION**

As with any vehicle, the wheels and tyres should be checked periodically for cracks and wear, and should be replaced when necessary.

Adjusting Fork Rotation

WARNING

Castor angle vertical axis **MUST** be at $90^\circ \pm 1^\circ$ from the ground, if not a flatter risk may occur. Both caster assemblies should be at the same angle.

After **ANY** adjustments, before use, make sure all attaching hardware is tightened securely - otherwise injury or damage may occur.

NOTE: For this procedure, refer to FIGURE 5.8.

1. Remove the dust cover from the castor housing.
2. To properly tighten caster journal system and guard against flutter, perform the following check:
 - A. Tip back the wheelchair to floor.
 - B. Pivot castor fork assemblies in rear position
 - C. Push castor to initiate clockwise movement
 - D. Let castor fork assembly rotate freely, if not change the upper specific bearing.
3. Adjust locknuts to appropriate torque (50/60 Nm) with a 19 mm socket wrench, do not overtighten the locknut.
4. Test wheelchair for manoeuvrability.
5. Snap dust cover into the caster housing.
6. Perform STEPS 1 to 5 on the other side.

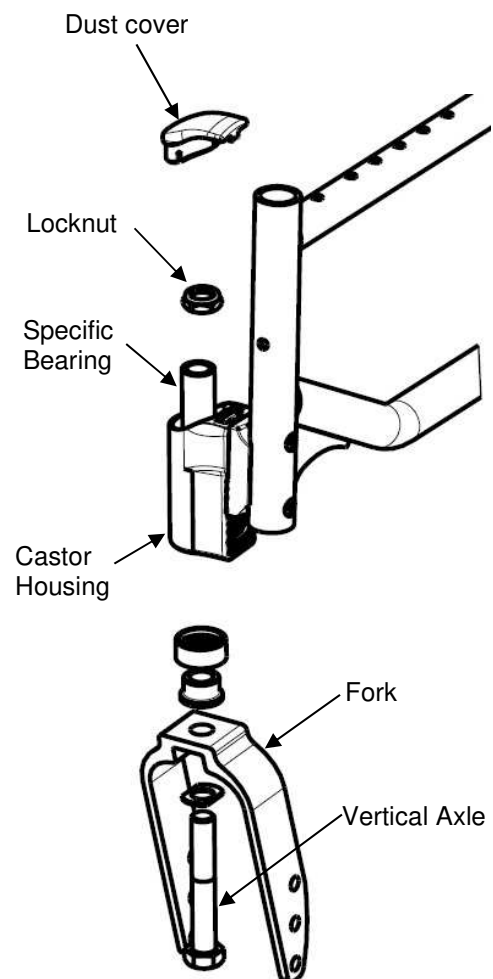


FIGURE 5.8 Adjusting Fork Rotation

Removing/Installing/Repositioning the Castor Assemblies

IMPORTANT: Fixing screws may only be used once. Always use the dedicated spare parts kit (**SP1657713**) for castor housing **Standard** or use the spare parts kit (**SP1657714**) for castor housing **Light**.

Alternatively, the screws can be cleaned (remove old thread locking adhesive) and reinstalled with new medium-strength thread locking adhesive (e.g.: LOCTITE® 243™ or 270™).

INFORMATION: Always refer to the liquid thread locking adhesive supplier's recommendations before applying on the screw.

NOTE: If replacing a front castor note the mounting position of the existing front castor for installation of the new front castor.

NOTE: If repositioning front castors or replacing the existing front castor with a castor of a different size, refer to Changing Front Seat-to-Floor Height paragraph to determine the front castor position needed for the required front seat-to-floor height.

NOTE: Both front castors **MUST** be the same size and adjusted to the same height.

NOTE: For this procedure, refer to FIGURE 5.9.

Removing Front Wheel

1. Remove the mounting bolt (5 mm Allen key), axle spacers (if present) that secure the front wheel to the fork.
2. Remove the wheel from the fork.

Installing Front Wheel

1. Using the mounting bolt (5 mm Allen key), axle spacers (if present), secure the wheel to the desired wheel mounting position.
 2. Ensure fork stem is perpendicular to the flat surface.
- Refer to Adjusting Castor Angle paragraph.

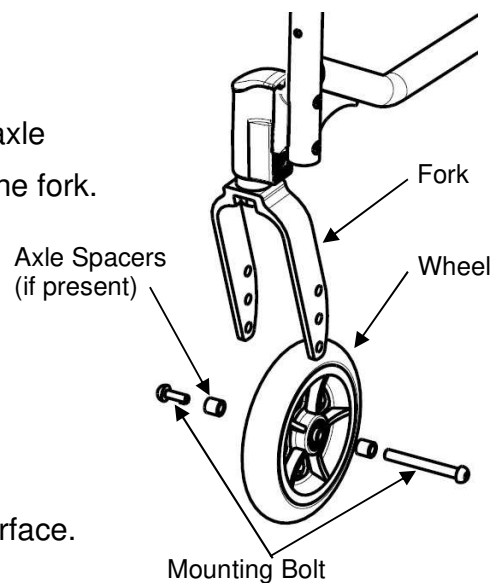


FIGURE 5.9 Castor Assembly

Adjusting Castor Angle (Castor housing Standard)

NOTE: For this procedure, refer to FIGURE 5.10, next page.

1. Remove the two mounting screws (5 mm Allen key) that secure the castor housing assembly to the wheelchair frame and the attachment plate.

IMPORTANT: To adjust the castor angle on both sides, use the spare parts kit (**SP1657713**) consisted of 4 mounting pre-glued screws (M6x37mm) and 2 attachment plates.

2. Fit but not tighten the new attachment plate and the 2 mounting screws

3. Rotate the castor assembly to the desired angle.

NOTE: Both castors housing must be set at the same angle.

4. Tighten in 3 steps (lower-upper-lower) progressively the 2 mounting pre-glued screws (13/14 Nm) that secure the castor housing assembly to the wheelchair frame.
5. Repeat STEPS 1 to 4 for the other castor housing assembly.
6. **IMPORTANT:** *Wait 24 hours before using the wheelchair (polymerisation time required for a safe assembly).*

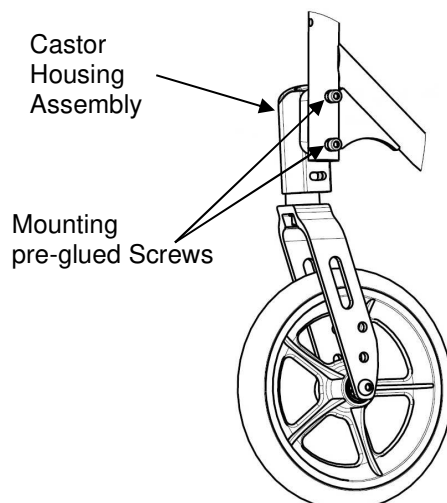


FIGURE 5.10 Adjusting Castor Angle (Caster housing Standard)

Adjusting Castor Angle (Castor housing Light)

NOTE: For this procedure, refer to FIGURE 5.11, next page.

1. Remove the two mounting bolts (5 mm Allen key) that secure the castor housing assembly to the wheelchair frame and angle plates set.

IMPORTANT: *To adjust the castor angle on both sides, use the spare parts kit (SP1657714) consisted of 4 mounting pre-glued screws (M6x33mm) and 2 angle plates set.*

2. Adjust the angle plates set (upper plate and lower plate) to the desired angle by setting the lower plate as shown on Detail "A".
3. Insert the angle plates set into the castor housing.

NOTE: Both castors housing must be set at the same angle.

4. Tighten in 3 steps (lower-upper-lower) progressively the 2 mounting pre-glued screws (13/14 Nm) that secure the castor housing assembly to the wheelchair frame.
5. Repeat STEPS 1 to 4 for the other castor housing assembly.
6. **IMPORTANT:** *Wait 24 hours before using the wheelchair (polymerisation time required for a safe assembly).*

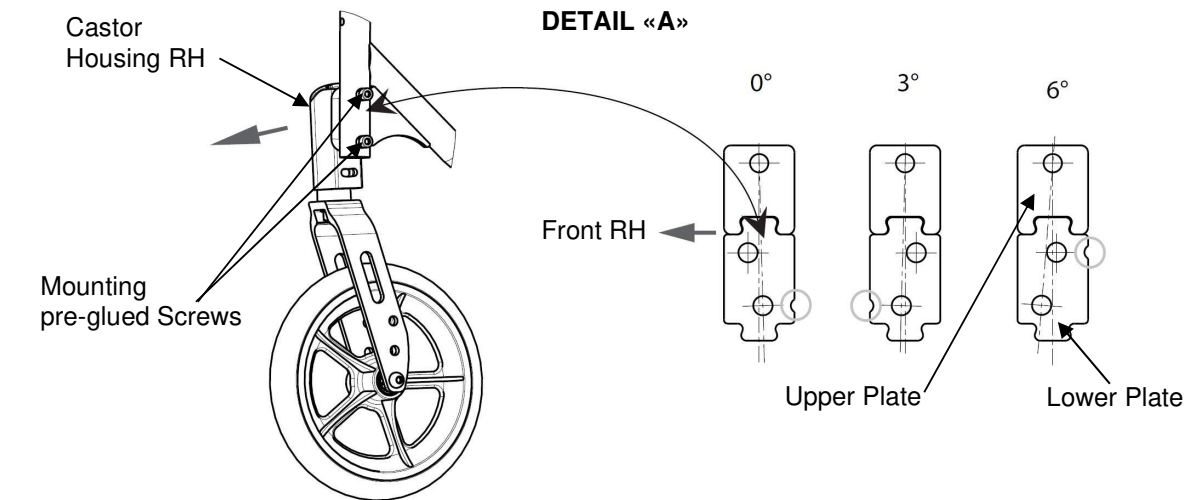


FIGURE 5.11 Adjusting Castor Angle (Castor housing Light)

Adjusting Castor Assembly Position (Castor housing Standard or Light)

NOTE: For this procedure, refer to FIGURE 5.12.

1. Remove the two mounting screws that secure the castor housing assembly to wheelchair frame, the attachment plate (**Standard**) or the angle plates set (**Light**).

IMPORTANT: To adjust the castor position on both sides, use the spare parts kit (**SP1657713**) consisted of 4 mounting pre-glued screws (M6x37mm) and 2 attachment plates for castor housing **Standard** or use the spare parts kit (**SP1657714**) consisted of 4 mounting pre-glued screws (M6x33mm) and 2 angle plates set for castor housing **Light**.

2. Move the castor housing assembly to one of two positions. Refer to Detail “A” of FIGURE 5.12. Always check that the plastic insert is present before tightening the mounting screws.

NOTE: Both castor housing assemblies must be set at the same position.

3. To finalise the assembly, refer to section Castor housing **Standard**, repeat STEPS 4 to 6 or refer to section Castor housing **Light**, repeat STEPS 2 to 6.

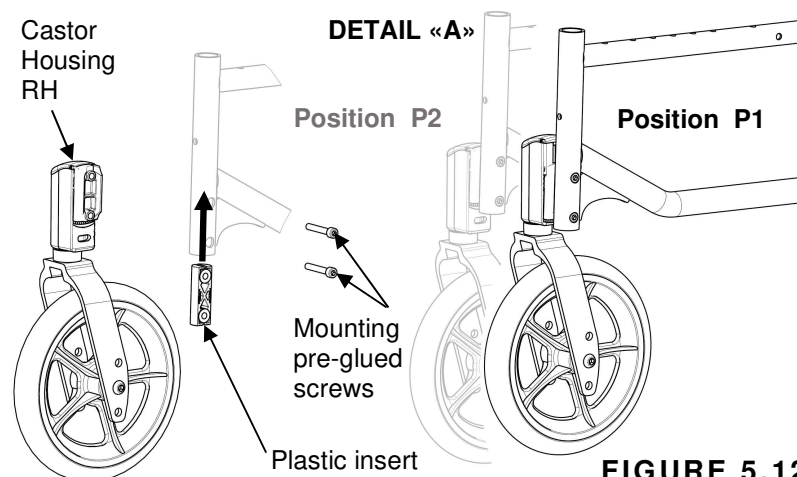


FIGURE 5.12 Adjusting Castor Assembly Position

SECTION 6—SEAT-TO-FLOOR HEIGHT

WARNING

After ANY adjustments, repair or service and before use, make sure all attaching hardware is tightened securely - otherwise injury or damage may occur.

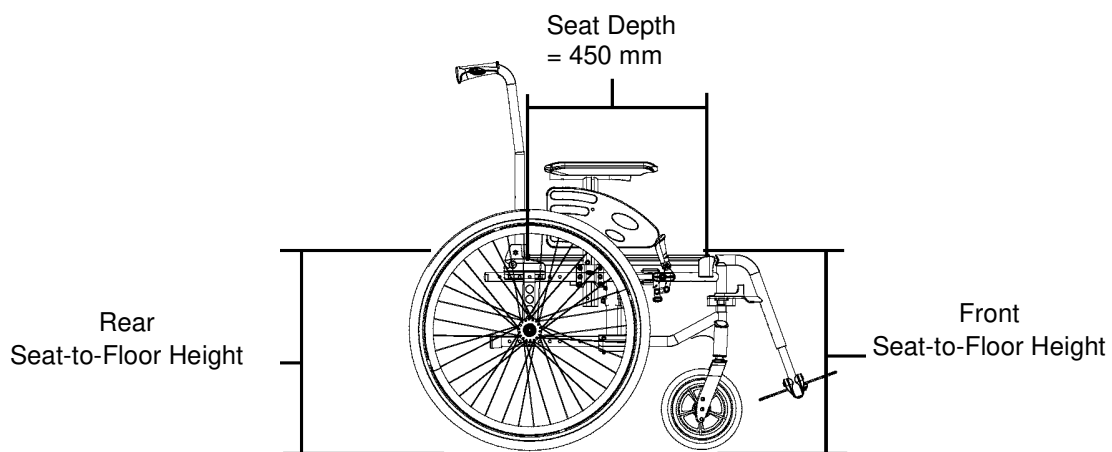
Seat Angle

NOTE: For this procedure, refer to FIGURE 6.1.

NOTE: Refer to Measuring Seat-to-Floor Height paragraph for measuring instructions.

NOTE: Invacare recommends that the rear seat-to-floor height be AT LEAST 25 mm shorter than the front seat-to-floor height. Otherwise a forward seat angle can occur.

Subtract the rear seat-to-floor height measurement from the front seat-to-floor height measurement to determine the amount of seat angle as shown in the example in FIGURE 6.1.



Example:

510 mm Front Seat-to-Floor Height
 - 485 mm Minus Rear Seat-to-Floor
 Height (3° +/-1°) Equals Seat Angle

FIGURE 6.1 Seat Angle

WARNING

Because of the part's mechanical tolerances and all adjustments possible (+/- 1°) the seat angles possible are 0° +/-1° or 3° +/-1° or 6° +/-1° depending of the wheelchair assembly. Refer to table "Seat-to-floor heights" paragraph.

Measuring Seat-to-Floor Height

NOTE: For this procedure, refer to FIGURE 6.2.

NOTE: All measurements are in millimetres. The front and rear seat-to-floor heights are approximate to 6.5 mm due to tyre wear and air pressure.

Measuring Front Seat-to-Floor Height

Front Seat-to-Floor Height: Measure the distance between the front of the seat upholstery and the ground/floor.

Measuring Rear Seat-to-Floor Height

NOTE: The rear seat-to-floor heights are based on pneumatic tyres and pneumatic tyres with flat free inserts. If wheelchair is equipped with urethane tyres, subtract 6.5 mm from the measurement.

Rear Seat-to-Floor Height: Measure distance between the rear of the seat upholstery and the ground/floor.

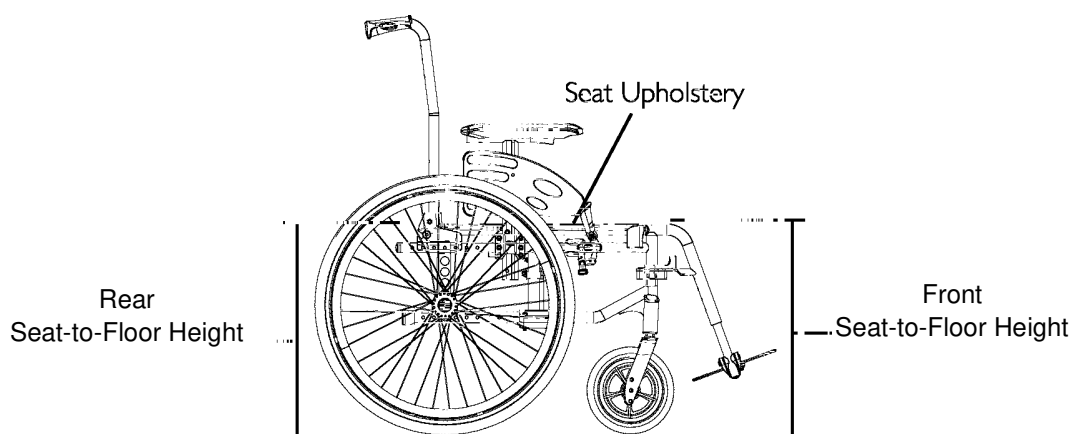


FIGURE 6.2 Seat Angle

Changing Seat-to-Floor Height



WARNING

The seat height, seat depth, back angle, seating system, size/position of the rear wheels, size/position of the front casters, seating options (e.g. headrest, back bag, ...) as well as the user condition directly relate to the stability of the wheelchair. Any change to one or any combination of these factors changes the centre of gravity and may cause the wheelchair to increase/decrease in stability. Refer to table on page 6.

Always check caster and rear wheel vertical axis is to $90^\circ \pm 1^\circ$ from the ground.

NOTE: For this procedure, refer to the table to determine adjustment(s) necessary to achieve desired front seat to floor height.

NOTE: To obtain the desired front seat to floor height, it will be necessary to perform one or both following:

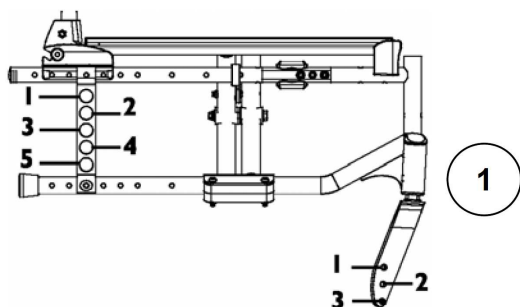
- Changing the castor size and/or mounting position on the fork, and/or seat angle
Refer to Removing/Installing/Repositioning the Castor Assemblies paragraph.
- Changing the fork size or adding/removing height adjustment spacers. Refer to Adjusting Forks paragraph.
- Changing the rear wheel size. Refer to Removing/Installing Rear Wheels paragraph.
- Changing the rear height positioning. Refer to Adjusting Rear Wheel Height paragraph.

CHANGING SEAT-TO-FLOOR HEIGHT

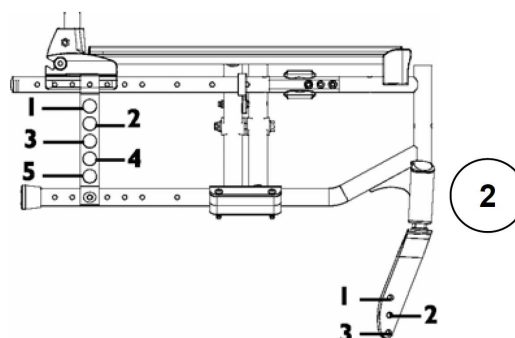
Front Seat Height	Front castor											
	8"			6"			5.5"			5"		
	Castor Position	Fork Type	Wheel Fixation	Castor Position	Fork Type	Wheel Fixation	Castor Position	Fork Type	Wheel Fixation	Castor Position	Fork Type	Wheel Fixation
510 mm	P2	60	3	N/A			N/A			N/A		
485 mm	P2		2	P2	40 (3 holes)	3	P2	60 + Spacer	3	N/A		
460 mm	P1		2	P1		3	P1		3	P2	40 (2 holes)	3
435 mm	N/A			P1		2	P1		2	P1		
410 mm	N/A			P1	1	N/A			P1	40 (Ultra Low)	3	
385 mm	N/A			N/A			N/A					P2
360 mm	N/A			N/A			N/A			P1	40 (Ultra Low)	3

Front Seat Height	Rear Wheel/ Seat angle								
	20"			22"			24"		
	0°	3°	6°	0°	3°	6°	0°	3°	6°
510 mm	N/A			N/A			5	N/A	4
485 mm	N/A			5	4	3	5	4	3
460 mm	N/A			5	4	3	4	3	2
435 mm	N/A			4	3	2	3	2	1
410 mm	N/A			3	2	1	2	1	0
385 mm	3	N/A		2	N/A		1	N/A	
360 mm	2	3	N/A		N/A		N/A		

Front Castor Position P1



Front Castor Position P2



SECTION 7—WHEEL BRAKES

⚠ WARNING

After ANY adjustments, repair or service and BEFORE use, make sure all attaching hardware is tightened securely - otherwise injury or damage may occur. Ensure that the clamp assembly is well positioned in its frame located position.

Adjusting Wheel Brakes

NOTE: When changing the position of the rear wheels, the wheel brakes MUST be repositioned.

NOTE: Before adjusting or replacing the wheel brake assemblies, ensure that the tyres are inflated to the recommended BAR, KPa, P.S.I on the side wall of the tyre.

NOTE: If wheel brakes need replacement, installation must be performed by a qualified technician.

Adjusting Wheel Brake Position

NOTE: For this procedure, refer to FIGURE 7.1.

1. Remove the two mounting screws that secures the wheel brake assembly to the wheelchair frame.
2. Remove the wheel brake assembly from the clamp assembly.
3. Move the clamp assembly (if necessary) to the other wheel brake position on the wheelchair frame.
4. Install the wheel brake assembly into the clamp assembly.
5. Secure the wheel brake assembly to the wheelchair frame with the two mounting screws.
6. Repeat STEPS 1 to 6 for the other wheel brake assembly.

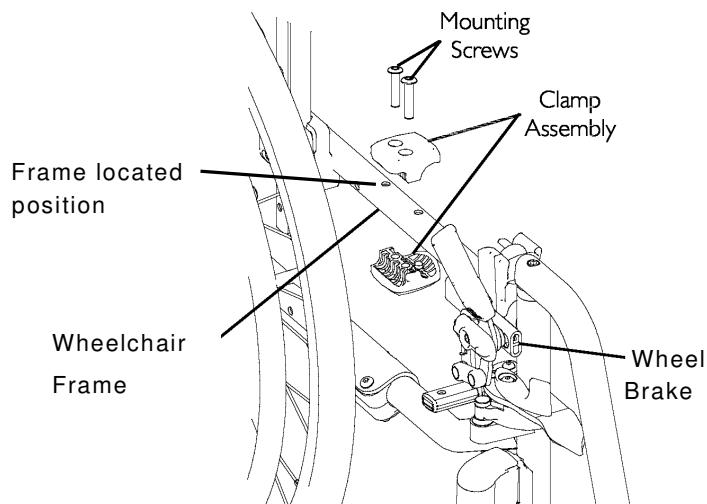


FIGURE 7.1 Adjusting Wheel Brakes - Adjusting Wheel Brake Position

Adjusting Wheel Brake Tension

NOTE: For this procedure, refer to FIGURE 7.2.

1. Loosen, but DO NOT remove the two set screws (Detail –A-) that secure the wheel brake assembly to the wheelchair frame.
2. Measure the distance between the wheel brake shoe and the rear wheel.
3. Slide the wheel lock along the wheelchair frame until the measurement is 4 mm for solid tyre and for pneumatic.
4. Securely tighten the two set screws (Detail –A-).
5. Repeat STEPS 1-4 for the opposite wheel brake.
6. Engage the wheel brakes and push against the wheelchair to determine if the wheel brakes engage the rear wheels enough to hold the occupied wheelchair.
7. Repeat STEPS 1-6 until the wheel brakes engage the rear wheels enough to hold the occupied wheelchair.

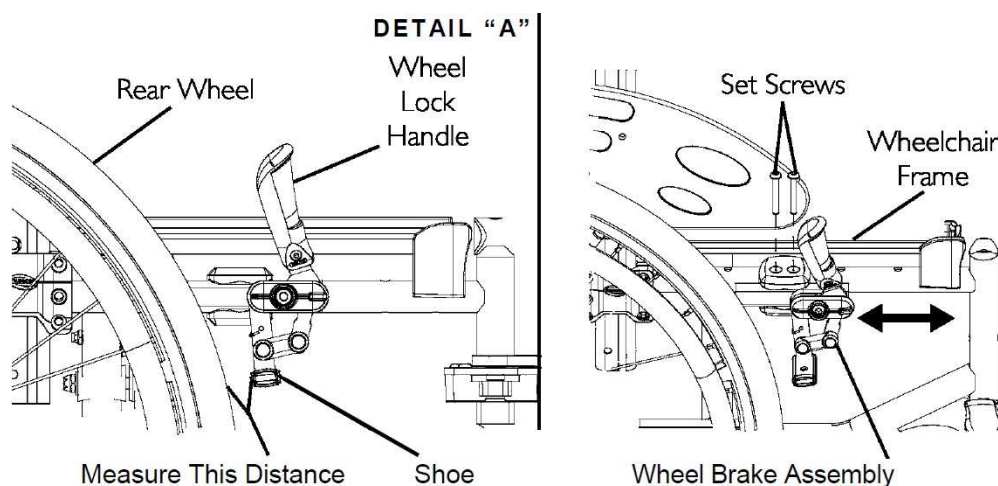


FIGURE 7.2 Adjusting Wheel Brakes- Adjusting Wheel Brake Tension

Replacing Wheel Brake Handle

NOTE: For this procedure, refer to FIGURE 7.3.

1. Remove the mounting screw and locknut that secures the wheel brake handle to the wheel brake assembly.
2. Remove the wheel brake handle and discard.
3. Align the new wheel brake handle with the wheel brake assembly.
4. Secure the new wheel brake handle with the mounting screw and locknut.
5. If necessary, repeat STEPS 1 to 4 for the other wheel brake.

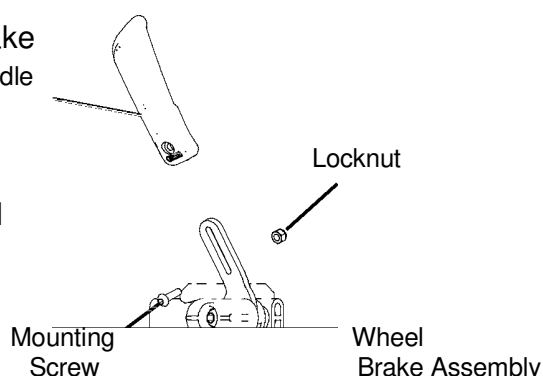


FIGURE 7.3 Replacing Wheel Brake Handle

 **WARNING**

After ANY adjustments, repair or service and BEFORE use, make sure all attaching hardware is tightened securely - otherwise injury or damage may occur.

Always operate the two brakes simultaneously and do not take slopes exceeding 5° to ensure perfect control of the wheelchair steering.

Hub brakes are running brakes only, always use the manual brakes to secure the wheelchair during short or long stops.

Ensure both hub brakes are adjusted to the same mounting hole.

Installing/Adjusting Hub Brakes

NOTE: After adjusting or replacing the hub brake assemblies, ensure that the tyres are inflated to the recommended BAR, KPa, P.S.I on the side wall of the tyre.

NOTE: If hub brakes need replacement, installation must be performed by a qualified technician.

Installing Hub Brakes

NOTE: For this procedure, refer to FIGURE 7.4.

1. Remove the rear wheel. Refer to Removing/Installing Rear Wheels paragraph.
2. Remove the locknut and washer that secures the axle bracket to the axle plate.
3. Thread a brake shoe support on a QR axle bush support then add spacer HB.
4. Present the brake set, in front of the axle plate outside of the chair, by directing the brake shoe support following the plan opposite then insert the anti-rotating spacer between the pin of the brake shoes support and the hole of the axle support.
5. Align the hub brake set with one of the five adjustment holes on the axle plate.
6. Secure the hub brake set to the axle plate, at the desired height, with the locknut and washer.
7. Repeat STEPS 1 to 6 for the other rear wheel.

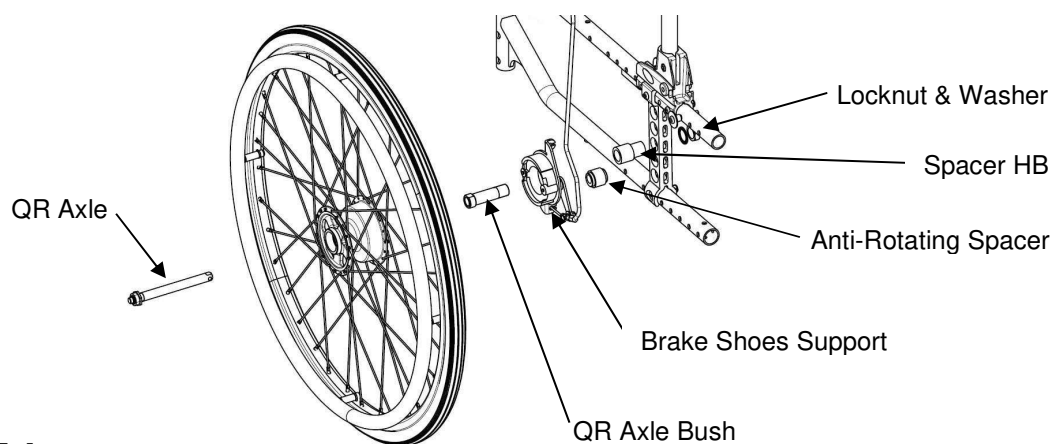


FIGURE 7.4 Installing Hub Brakes

Installing/Adjusting Hub Brake

NOTE: For this procedure, refer to FIGURE 7.5.

1. Install the hub brake lever with the cable on the backrest canes.
2. Secure the cable to the lever of the brake shoes support by tightening the cable bolt
3. Adjust the cable tension to desire brake effort by screw/unscrew the tensional bolt situated on the brake shoes support.
4. Repeat STEPS 1 to 3 for the other side

NOTE: the cable adjustment MUST have the same brake effect on both sides.

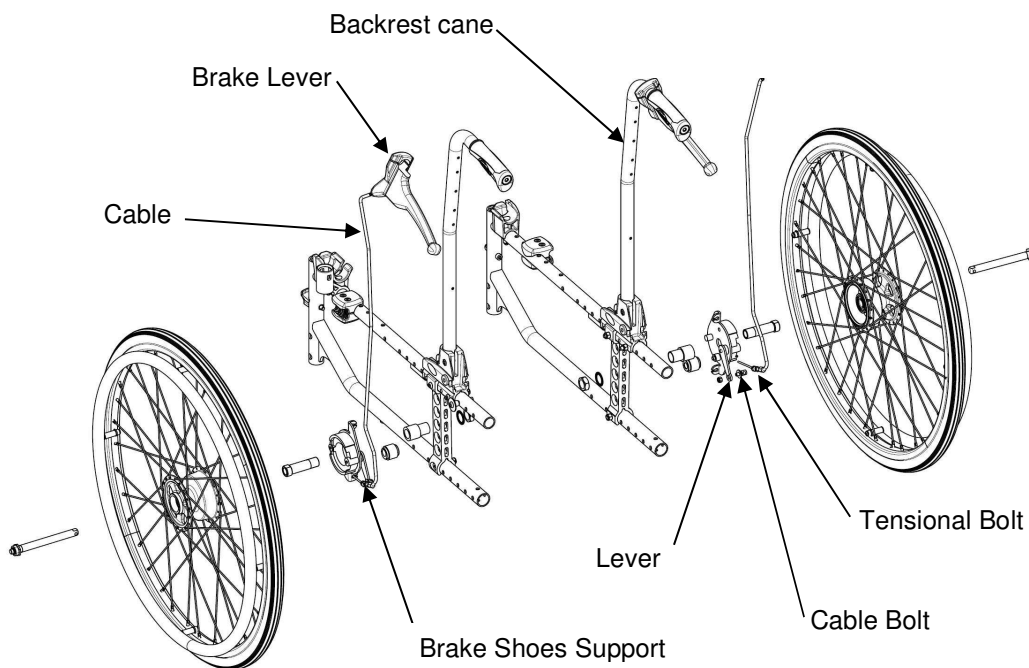


FIGURE 7.5 Installing/Adjusting Hub Brake

SECTION 8—OPTIONS

⚠ WARNING

After ANY adjustments, repair or service and BEFORE use, make sure all attaching hardware is tightened securely - otherwise injury or damage may occur.

Make sure the detent pin and locking pins of the quick-release button are fully released before operating the wheelchair. The locking pins MUST be protruding past the inside of rear wheel hub for a positive lock. Keep locking pins clean.

Ensure both wheels are adjusted to the same mounting hole.

Installing/Adjusting Dual Handrim (DHR)

Installing Dual Handrim (DHR)

NOTE: For this procedure, refer to FIGURE 8.1.

1. Remove the rear wheel. Refer to Removing/Installing Rear Wheels paragraph.
2. Remove the nut and washer that secures the axle bracket to the wheel plate.
3. Align the DHR Axle bush with one of the adjustment holes on the wheel plate.
4. Secure the DHR axle bush to the wheel plate, at the desired height, with the nut and washer (45 0/+5 Nm) with a 32 mm fixed spanner. Insert the wheel with the DHR wheel axle into the DHR axle bracket.
5. Repeat STEPS 1 to 4 for the other rear wheel.
6. Insert the telescopic rear wheel shaft onto the end of the wheel axle to connect both DHR wheels.

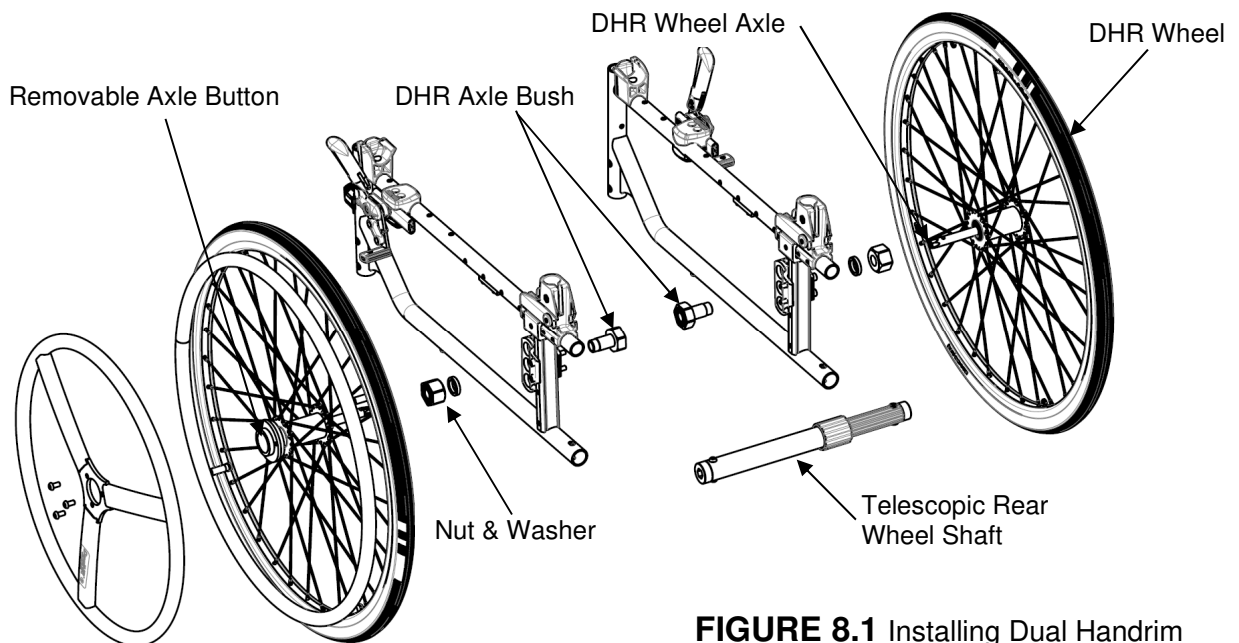


FIGURE 8.1 Installing Dual Handrim

Installing/Adjusting Headrest

⚠ WARNING

After ANY adjustments, repair or service and before use, make sure all attaching hardware is tightened securely - otherwise injury or damage may occur.

Installing Headrest

NOTE: For this procedure, refer to FIGURE 8.2.

1. Install the back brace. Refer to Installing removing the standard back brace paragraph.
2. Set the Headrest bracket (mounting bolts, headrest bracket and the hand wheel A) in the fixing holes on the standard back brace tube.
3. Introduce the vertical tube that support the headrest cushion into the headrest bracket.
4. Adjust to the appropriate height position with the user sat into the chair, tighten the hand wheel A.
5. Adjust the headrest cushion (depth and angle position) and tighten securely the screws C and the handle D.

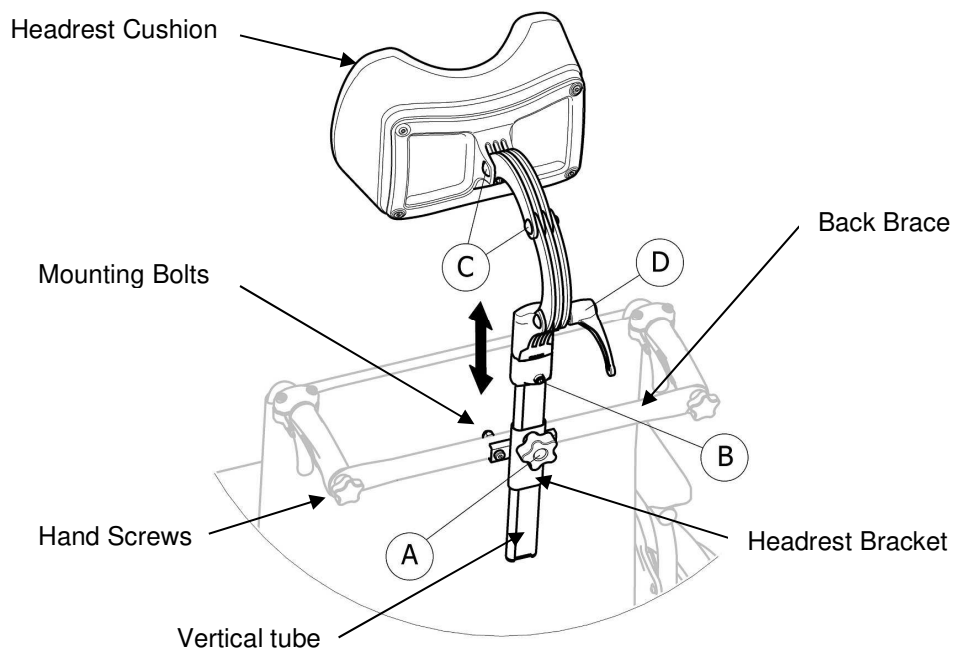


FIGURE 8.2 Installing Headrest

SECTION 9—ANTI-TIPPERS

WARNING

After ANY adjustments, repair or service and BEFORE use, make sure all attaching hardware is tightened securely - otherwise injury or damage may occur.

Anti-tippers MUST be attached all times. Since the anti-tippers are an option on this wheelchair (you may order it with or without the anti-tippers), Invacare strongly recommends ordering the anti-tippers as an additional safeguard for the wheelchair user.

Anti-tippers MUST be fully engaged and release buttons fully protruding out of adjustment holes.

Ensure both anti-tippers are adjusted to the same mounting hole.

Installing/Adjusting simple Anti-Tippers

Installing Anti-Tippers

NOTE: For this procedure, refer to FIGURE 9.1.

1. Press release buttons in and insert anti-tippers with the anti-tipper wheels pointing toward ground/floor into the rear frame tubing until bottom release button locks in place.
2. Measure the distance between the bottom of the anti-tipper wheels and the ground/floor.

NOTE: A 30 to 50 mm clearance between the bottom of the anti-tipper wheels and the ground/floor MUST be maintained always.

3. If the distance between the bottom of anti-tipper wheels and the ground/floor is not 30 to 50 mm, adjust anti-tippers.

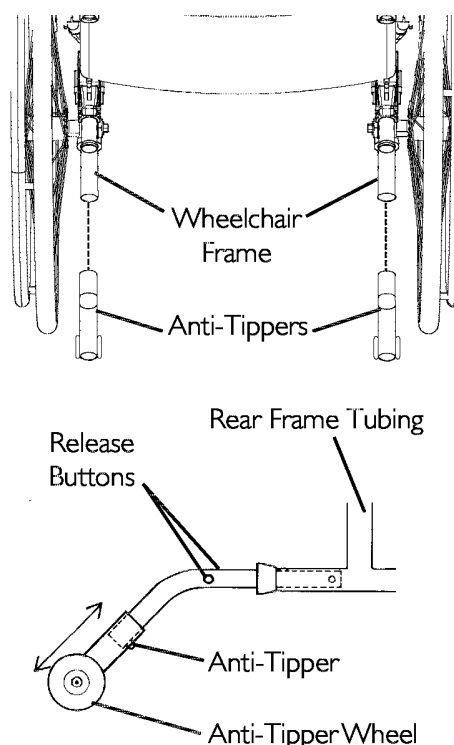


FIGURE 9.1 Installing Simple Anti-Tippers

NOTE: Make sure that the anti-tipper wheel is ALWAYS located outside the rear wheel volume (50 mm Minimum); refer to FIGURE 9.3.

Installing/Adjusting Anti-Tippers with Tipping Aid

Installing Anti-Tippers with Tipping Aid

NOTE: For this procedure, refer to FIGURE 9.2.

1. Insert anti-tippers with the anti-tipper wheels pointing toward ground/floor into the rear frame tubing until anti-tippers vertical hole appear in the frame vertical hole.
2. Secure the anti-tippers with the mounting set (screw, washer and locking nut) to the wheelchair frame.
3. Measure the distance between the bottom of the anti-tipper wheels and the ground/floor.

NOTE: A 30 to 50 mm clearance between the bottom of the anti-tipper wheels and the ground/floor MUST be maintained always.

4. If the distance between the bottom of anti-tipper wheels and the ground/floor is not 30 to 50 mm, adjust anti-tippers by push down the large washer (refer to detail "A").

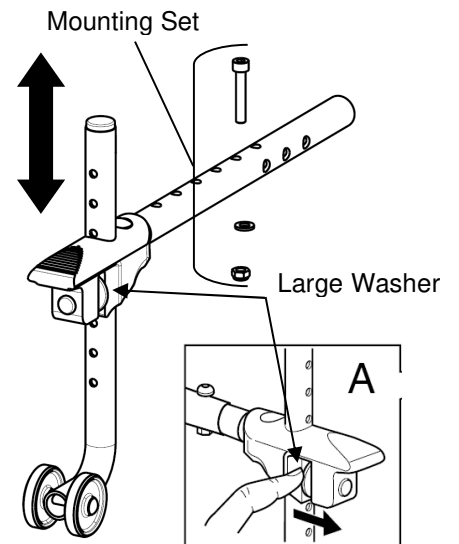


FIGURE 9.2
Installing Anti-Tippers with
Tipping Aid

Adjusting Anti-Tippers

NOTE: For this procedure, refer to FIGURE 9.3.

WARNING

When anti-tippers are used, anti-tippers **MUST** be adjusted to maintain a 30 to 50 mm clearance between the bottom of the anti-tipper wheels and the ground/ floor. This spacing should always be checked whenever adjustments/changes are made to the wheelchair.

Make sure that the anti-tipper wheel is **ALWAYS** located outside the rear wheel volume.

Failure to maintain proper spacing may result in the chair tipping over backward causing serious injury or property damage

1. Press the release buttons on the wheeled portion of the anti-tipper and slide it up or down to achieve the 30 to 50 mm clearance.
2. Check to make sure that the release buttons are fully engaged in adjustment holes.

NOTE: Make sure that the anti-tipper wheel is ALWAYS located outside the rear wheel volume (50 mm Minimum); refer to FIGURE 9.3.

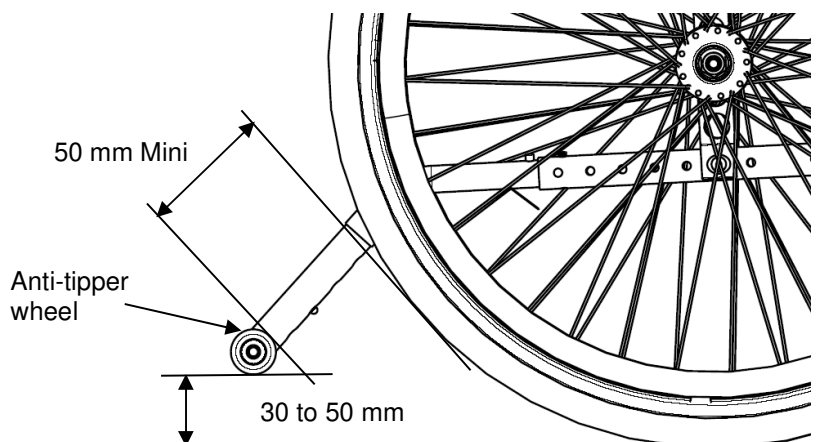


FIGURE 9.3 Adjusting Anti-Tippers

SECTION 10—PERIODIC MAINTENANCE GUIDELINES

NOTE: Always clean the wheelchair before any inspection/adjustment. Regular cleaning will reveal loose or worn parts and enhance the smooth operation of the wheelchair.

Initial Inspection:

Initial adjustments should be made to suit the personal body structure needs and preferences of the user:

Inspect/Adjust Initially

- Wheelchair rolls straight (no excessive drag or pull to one side).
- Ensure all hardware is tight (see page 5).
- All fasteners on clothing guards are secure.
- Arms are secure but easy to release and locking systems engage properly.
- Adjustable height arms operate and lock securely.
- Armrest armpad sits flush against arm tube.
- Seat and/or back upholstery have no rips.
- Inspect adjustable angle back attaching hardware is securely tightened.
- Ensure hand grips are secure to backrest canes.
- Sealed bearings and axle nut tension are correct.
- No excessive side movement or binding when rear wheels are lifted and spun.
- Quick-release axles lock properly (see page 29).
- Inspect handrims for signs of rough edges or peeling finish.
- Inspect for broken spokes.
- Wheel/fork assembly has proper tension when caster is spun. Caster should come to a gradual stop.
- Wheel bearings are clean and free of moisture.
- Loosen/tighten locknut if wheel wobbles noticeably or binds to a stop.
- Ensure all caster/wheel/fork/head tube fasteners are secure (see pages 5 & 36).
- Wheel brakes do not interfere with tyres when rolling.
- Wheel brakes pivot point are free of wear and looseness.
- Wheel brakes are easy to engage.
- Inspect tyres/casters for flat spots and wear.
- Check pneumatic tyres for proper inflation (recommended tyre pressure is listed on the side wall of the tyre).
- Ensure axles are free from dirt, lint, etc.
- Ensure roller bearings are free from dirt, lint, etc.
- Adjust wheel brakes as tyres wear.
- Clean and wax all parts.
- Clean upholstery and armrests.
- Ensure casters are free of debris.

Inspect/Adjust Weekly

- Wheelchair rolls straight (no excessive drag or pull to one side).
- Quick-release axles lock properly (see page 29).
- Inspect for broken spokes. Adjustment/replacement.
- Wheel/fork assembly has proper tension when caster is spun. Caster should come to a gradual stop.
- Inspect tyres/casters for flat spots and wear.
- Check pneumatic tyres for proper inflation (recommended tyre pressure is listed on the side wall of the tyre).
- Ensure casters are free of debris.

Inspect/Adjust Monthly

- Inspect seat positioning strap for any signs of wear. Ensure buckle latches. Verify hardware that attaches strap to frame is secure and undamaged. Replace if necessary.
- Loosen/tighten locknut if wheel wobbles noticeably or binds to a stop.
- Wheel bearings are clean and free of moisture.
- Wheel brakes do not interfere with tyres when rolling.
- Wheel brake pivot point are free of wear and looseness.
- Ensure all caster/wheel/fork/head tube fasteners are secure (see pages 5 & 36).
- Ensure all hardware is tight (see page 5).
- Ensure hand grips are secure to backrest canes.
- Ensure casters are free of debris.

Inspect/Adjust every twelve months (1)

- Wheelchair rolls straight (no excessive drag or pull to one side).
- Arms are secure but easy to release and locking systems engage properly.
- Adjustable height arms operate and lock securely.
- Armrest armpad sits flush against arm tube.
- All fasteners on clothing guards are secure.
- Seat and/or back upholstery have no rips.
- Inspect the backrest attaching hardware and mechanisms are securely tightened.
- No excessive side movement or binding when rear wheels are lifted and spun.
- Inspect handrims for signs of rough edges or peeling finish.
- Inspect side frame and cross brace for signs of cracks, flaked paint or deformed metal work.
- Inspect tyres/casters for flat spots and wear.
- Check pneumatic tyres for proper inflation (recommended tyre pressure is listed on the side wall of the tyre).

Inspect/Adjust every twelve months (2)

- Wheel brake pivot point are free of wear and looseness.
- Clean upholstery and armrests.
- Sealed bearings and axle nut tension are correct.
- Wheel/fork assembly has proper tension when caster is spun. Caster should come to a gradual stop.
- Loosen/tighten locknut if wheel wobbles noticeably or binds to a stop.
- Wheel bearings are clean and free of moisture.
- Wheel brakes are easy to engage.
- Clean quick-release axles with a Teflon lubricant.
- Ensure axles are free from dirt, lint, etc.
- Ensure roller bearings are free from dirt, lint, etc.
- Adjust wheel brakes as tyres wear.
- Clean and wax all parts.
- Ensure casters are free of debris.

1606084-H
12-2020



Invacare France Operations SAS
Route de St Roch
F-37230 Fondettes
France



Yes, you can.®