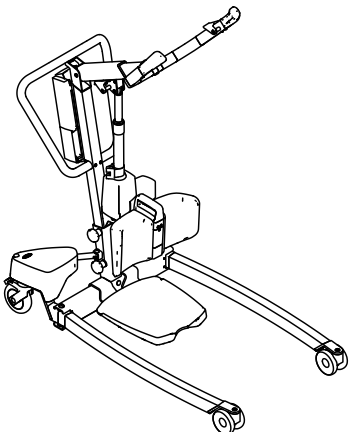
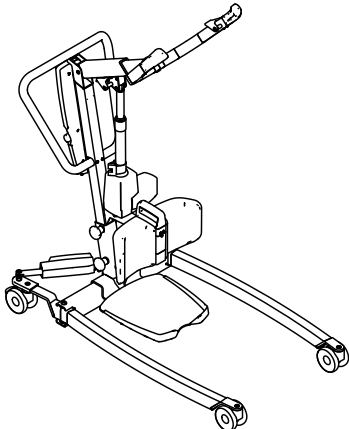
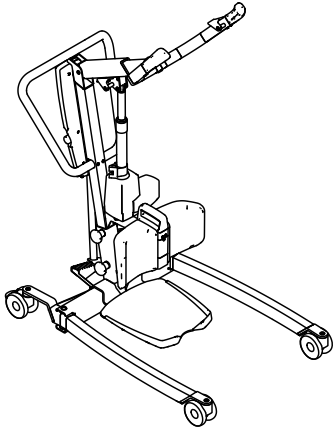
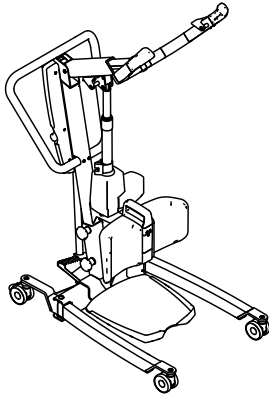


# Invacare® ISA™

ISA™ COMPACT, ISA™ STANDARD, ISA™ PLUS, ISA™ XPLUS



en	Stand assist patient lift User Manual .....	3
de	Aufstehlift Gebrauchsanweisung .....	33
es	Grúa de bipedestación para pacientes Manual del usuario .....	65
fr	Lève-personne verticalisateur Manuel d'utilisation .....	97
it	Sollevatore per pazienti Stand Assist Manuale d'uso .....	129
nl	Actieve patiëntentillift Gebruiksaanwijzing .....	161
pt	Elevador de transferência posição vertical Manual de utilização .....	193



This manual MUST be given to the user of the product.  
BEFORE using this product, this manual MUST be read and saved  
for future reference.



**Yes, you can.**

©2019 Invacare Corporation

All rights reserved. Republication, duplication or modification in whole or in part is prohibited without prior written permission from Invacare. Trademarks are identified by ™ and ®. All trademarks are owned by or licensed to Invacare Corporation or its subsidiaries unless otherwise noted.

—

Alle Rechte vorbehalten. Die Weiterveröffentlichung, Vervielfältigung oder Änderung im Ganzen oder in Teilen ohne vorherige schriftliche Genehmigung von Invacare ist untersagt. Marken sind durch ™ und ® gekennzeichnet. Soweit nicht anders angegeben, sind alle Marken Eigentum der Invacare Corporation bzw. deren Tochtergesellschaften oder werden von diesen in Lizenz genutzt.

—

Todos los derechos reservados. Se prohíbe volver a publicar, copiar o modificar el presente documento, en parte o por completo, sin el previo consentimiento por escrito de Invacare. Las marcas comerciales se identifican con ™ y ®. Todas las marcas comerciales son propiedad de Invacare Corporation o de sus filiales, o bien Invacare Corporation o sus filiales cuentan con las correspondientes licencias, salvo que se indique lo contrario.

—

Tous droits réservés. La republication, la duplication ou la modification de tout ou partie du présent document est interdite sans l'accord écrit préalable d'Invacare. Les marques commerciales sont identifiées par ™ et ®. Toutes les marques commerciales sont détenues par ou cédées sous licence à Invacare Corporation ou ses filiales, sauf stipulation contraire.

—

Tutti i diritti riservati. È proibita la riproduzione, la duplicazione o la modifica parziale o completa, salvo previa autorizzazione scritta da parte di Invacare. I marchi sono contrassegnati da ™ e ®. Tutti i marchi sono di proprietà o licenza di Invacare Corporation o di sue affiliate, salvo indicazione contraria.

—

Alle rechten voorbehouden. Herpublicatie, duplicatie of gehele of gedeeltelijke wijziging is verboden zonder voorafgaande schriftelijke toestemming van Invacare. Handelsmerken zijn te herkennen aan ™ en ®. Alle handelsmerken zijn eigendom van of gelicentieerd aan Invacare Corporation of haar dochterondernemingen, tenzij anders aangegeven.

—

Todos os direitos reservados. A republicação, duplicação ou modificação total ou parcial está interdita sem a autorização prévia por escrito da Invacare. As marcas comerciais são identificadas pelos símbolos ™ e ®. Todas as marcas comerciais são propriedade da ou estão licenciadas à Invacare Corporation ou às suas subsidiárias, exceto quando apresentada informação em contrário.

# Contents

This manual MUST be given to the user of the product.  
BEFORE using this product, this manual MUST be read and saved  
for future reference.

<b>1 General</b> .....	<b>4</b>	8.3 Cleaning and Disinfection .....	22
1.1 Introduction .....	4	8.3.1 General safety information .....	22
1.1.1 Symbols in this document .....	4	8.3.2 Cleaning Intervals .....	22
1.2 Service life .....	4	8.3.3 Cleaning instructions .....	22
1.2.1 Additional information .....	4	8.3.4 Disinfection instructions .....	23
1.3 Limitation of liability .....	4	8.4 Service interval .....	23
1.4 Warranty information .....	4	8.4.1 LOLER Statement .....	23
1.5 Compliance .....	4	<b>9 After Use</b> .....	<b>24</b>
1.5.1 Product-specific standards .....	4	9.1 Disposal .....	24
<b>2 Safety</b> .....	<b>5</b>	9.2 Reconditioning .....	24
2.1 General safety information .....	5	<b>10 Troubleshooting</b> .....	<b>25</b>
2.1.1 Pinch points .....	6	10.1 Identifying faults and possible solutions .....	25
2.2 Safety information on accessories .....	6	<b>11 Technical Data</b> .....	<b>27</b>
2.3 Safety information on electromagnetic interference .....	6	11.1 Maximum safe working load .....	27
2.3.1 Battery charging mode .....	6	11.2 Dimensions and weights .....	27
2.4 Labels and symbols on the product .....	7	11.3 Electrical system .....	28
2.4.1 Label location .....	7	11.4 Environmental conditions .....	28
2.4.2 Identification label .....	7	11.5 Materials .....	29
2.4.3 Other symbols .....	7	11.6 Operating forces of controls .....	29
<b>3 Product Overview</b> .....	<b>8</b>	<b>12 Electromagnetic compatibility (EMC)</b> .....	<b>30</b>
3.1 Intended use .....	8	12.1 General EMC information .....	30
3.2 Main parts of the lift .....	8	12.2 Electromagnetic emission .....	30
3.3 Accessories .....	9	12.3 Electromagnetic Immunity .....	30
<b>4 Setup</b> .....	<b>10</b>		
4.1 General safety information .....	10		
4.2 Scope of delivery .....	10		
4.3 Installing the mast to the base .....	10		
4.4 Installing the foot plate .....	11		
4.5 Installing the leg band .....	11		
4.6 Installing the leg support .....	11		
4.7 Installing the lever for manual leg spreader .....	11		
4.8 Resetting the service indicator .....	12		
<b>5 Usage</b> .....	<b>13</b>		
5.1 General safety information .....	13		
5.2 Locking/Unlocking the rear castors .....	13		
5.3 Raising/Lowering an Electric Lift .....	13		
5.4 Closing/Opening Legs .....	13		
5.4.1 Closing/Opening Electric Legs .....	13		
5.4.2 Closing/Opening legs manually .....	13		
5.5 Adjusting the lifting arm to patient body height .....	13		
5.6 Adjusting the height of the leg support .....	14		
5.7 Using the leg band .....	14		
5.8 Emergency functions .....	15		
5.8.1 Performing an emergency stop .....	15		
5.8.2 Activating an emergency lowering (CBJ Home control unit) .....	15		
5.8.3 Activating an emergency lowering (CBJ Care, CBJ1, CBJ2 control unit) .....	15		
5.8.4 Activating an emergency lifting (CBJ Care, CBJ1 control unit) .....	15		
5.8.5 Activating a mechanical emergency lowering .....	15		
5.9 Charging the battery .....	16		
5.9.1 CBJ Home control unit .....	16		
5.9.2 CBJ Care, CBJ1, CBJ2 control unit .....	16		
5.9.3 Optional battery charger .....	17		
<b>6 Patient Transfer</b> .....	<b>18</b>		
6.1 General safety information .....	18		
6.2 Attaching the sling to the lift .....	19		
6.3 Transferring a patient .....	20		
<b>7 Transportation and Storage</b> .....	<b>21</b>		
7.1 General information .....	21		
7.2 Disassembling the lift .....	21		
<b>8 Maintenance</b> .....	<b>22</b>		
8.1 General maintenance information .....	22		
8.2 Daily inspections .....	22		

# 1 General

## 1.1 Introduction

This user manual contains important information about the handling of the product. To ensure safety when using the product, read the user manual carefully and follow the safety instructions.

Note that there may be sections in this document, which are not relevant to your product, since this document applies to all available models (on the date of printing). If not otherwise stated, each section in this document refers to all models of the product.

The models and configurations available in your country can be found in the country-specific price lists.

Invacare reserves the right to alter product specifications without further notice.

Before reading this document, make sure you have the latest version. You find the latest version as a PDF on the Invacare website.

If you find that the font size in the printed document is difficult to read, you can download the PDF version from the website. The PDF can then be scaled on screen to a font size that is more comfortable for you.

For more information about the product, for example product safety notices and product recalls, contact your Invacare representative. See addresses at the end of this document.

In case of a serious incident with the product, you should inform the manufacturer and the competent authority in your country.

### 1.1.1 Symbols in this document

Symbols and signal words are used in this document and apply to hazards or unsafe practices which could result in personal injury or property damage. See the information below for definitions of the signal words.



#### WARNING

Indicates a hazardous situation that could result in serious injury or death if it is not avoided.



#### CAUTION

Indicates a hazardous situation that could result in minor or slight injury if it is not avoided.



#### IMPORTANT

Indicates a hazardous situation that could result in damage to property if it is not avoided.



#### Tips and Recommendations

Gives useful tips, recommendations and information for efficient, trouble-free use.

## 1.2 Service life

The expected service life of this product is eight years when used daily and in accordance with the safety instructions,

maintenance intervals and correct use, stated in this manual. The effective service life can vary according to frequency and intensity of use.

### 1.2.1 Additional information

The expected service life is based on an estimated average of 4 lifting cycles per day.

## 1.3 Limitation of liability

Invacare accepts no liability for damage arising from:

- Non-compliance with the user manual
- Incorrect use
- Natural wear and tear
- Incorrect assembly or set-up by the purchaser or a third party
- Technical modifications
- Unauthorised modifications and/or use of unsuitable spare parts

## 1.4 Warranty information

We provide a manufacturer's warranty for the product in accordance with our General Terms and Conditions of Business in the respective countries.

Warranty claims can only be made through the provider from whom the product was obtained.

## 1.5 Compliance

Quality is fundamental to the company's operation, working within the disciplines of ISO 13485.

This product features the CE mark, in compliance with the Medical Device Regulation 2017/745 Class 1. The launch date of this product is stated in the CE declaration of conformity.

We are continuously working towards ensuring that the company's impact on the environment, locally and globally, is reduced to a minimum.

We only use REACH compliant materials and components.

We comply with the current environmental legislations WEEE and RoHS.

### 1.5.1 Product-specific standards

The product has been tested and conforms to ISO 10535 (Hoists for the transfer of disabled persons) and all related standards.

For further information about local standards and regulations, contact your local Invacare representative. See addresses at the end of this document.

## 2 Safety

### 2.1 General safety information

This section of the manual contains general safety information about your product. For specific safety information, refer to the appropriate section of the manual and procedures within that section.



**WARNING!**

**Risk of injury or damage**

- Do not use this product or any available optional equipment without first completely reading and understanding these instructions and any additional instructional material such as user manuals or instruction sheets supplied with this product or optional equipment. If you are unable to understand the warnings, cautions or instructions, contact a healthcare professional, Invacare provider or qualified technician before attempting to use this product.
- Do not make any unauthorized alterations or modifications to the product.



**WARNING!**

**The maximum safe working load must not be exceeded**

- Do not exceed the maximum safe working load of this product or used accessories like slings etc. See documentation or the labeling for the stated maximum safe working load.
- The component with the lowest load limit determines the maximum safe working load of the entire system.



**WARNING!**

**Risk of injury or damage**

- Improper use of this product may cause injury or damage.
- Do not attempt any transfer without approval of the patient's healthcare professional.
  - Read the instructions in this user manual and observe trained personnel performing transfer procedures. Then practice transfers under supervision and with a capable person acting as a patient.
  - Patients who are transferred and positioned using the stand assist lift **MUST** be cooperative, coherent and have head and neck control. Otherwise, injury may occur.
  - Patients who are transferred and positioned using a sling with back support only, **MUST** be able to support a majority of their own weight. Otherwise, injury or damage may occur. Refer to the sling user manual for more information.
  - Do not use the lift as a transport device. It is intended to transfer an individual from one seating surface to another.



**WARNING!**

**Risk of injury or damage**

- Inappropriate handling of cables, incorrect connections and use of unauthorized equipment can cause electrical shock and product failure.
- Do not kink, shear or otherwise damage the cables of the product.
  - Make sure that no cables are jammed or damaged, when the product is used.
  - Make sure the wiring is correct and connections are proper.
  - Do not use unauthorized equipment.



**WARNING!**

**Risk of injury or damage**

- Excessive moisture will damage the product and may cause electrical shock.
- The patient lift can be used in a bath or shower area but must **NOT** be used under the shower. The patient must be transferred to a shower chair or use other means for showering.
  - If the patient lift is used in a moisture environment, ensure that the patient lift is wiped clean of any moisture after use.
  - Do not plug or unplug the power cable in a moisture environment or with wet hands.
  - Do not store the product in a damp area or damp condition.
  - Periodically inspect all components of the product for signs of corrosion or damage. Replace parts that are corroded or damaged.
  - See *11.4 Environmental conditions, page 28*.



**WARNING!**

**Risk of injury or damage**

- Ignition sources can cause burns or fire.
- Patient transfer must be performed with a safety space between the lift and possible ignition sources (heater, stove, fireplace, etc.)
  - The patient and assistants must not smoke during transfer.
  - The sling must not be placed over heat sources (heater, stove, fireplace, etc.)



**WARNING!**

**Risk of injury or damage**

- To avoid injury or damage when operating the product:
- Close supervision is necessary when the product is used near children or pets.
  - Do not let children play with the product.



**CAUTION!**

**Risk of injury or damage**

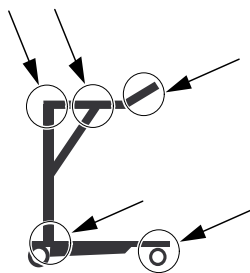
- The product can get hot when exposed to sunlight or other heat sources.
- Do not expose the product to direct sunlight for prolonged periods.
  - Keep the product away from heat sources.



**IMPORTANT!**

- Accumulation of lint, dust and other dirt can impair the product.
- Keep the product clean.

### 2.1.1 Pinch points



#### **WARNING!**

##### **Risk of Injury**

Pinch points are present in several locations on the lift and body parts could be pinched.

- Always keep hands, fingers and feet clear of moving parts.

## 2.2 Safety information on accessories



#### **CAUTION!**

##### **Risk of injury**

Non-original or incorrect accessories may affect the function and safety of this product.

- Due to regional differences, refer to your local Invacare website or catalog for available accessories or contact your Invacare provider.
- See the manual delivered with the accessory for further information and instructions.
- Use only original accessories for the product in use. Under certain circumstances, the use slings from other manufacturers is possible. See additional information in this section.
- A risk assessment is always to be carried out by a professional prior to issuing lifting equipment. It is important that the Task, Individual, Load, Environment and Equipment are considered in the risk assessment.
- Always choose the sling design and size according to the patient's weight, size and physical ability whilst considering the type of transfer to be carried out.



#### **CAUTION!**

##### **Compatibility of slings with attachment system**

Invacare uses a common attachment system based on hooks and loops. Loops on the slings are attached to hooks on the lift. Therefore, suitable slings of other manufacturers can be used on this lift as well.

- Use only slings which are intended for stand assist lifts.
- Use only slings with loop attachments that are suitable for hooks as attachment points.
- Do not use slings designed for "Keyhole or Clip Attachment Systems" or "Tilting Frame Systems".

## 2.3 Safety information on electromagnetic interference



#### **WARNING!**

##### **Risk of malfunction due to electromagnetic interference**

Electromagnetic interference between this product and other electrical equipment can occur and disturb the electrical adjustment functions of this product. To prevent, reduce or eliminate such electromagnetic interference:

- Only use original cables, accessories and spare parts, to not increase electromagnetic emission or reduce electromagnetic immunity of this product.
- Do not use portable radio frequency (RF) communications equipment closer than 30 cm to any part of this product (including cables).
- Do not use this product near active high-frequency surgical equipment and the RF shielded room of a system for magnetic resonance imaging, where the intensity of electromagnetic disturbances is high.
- If disturbances occur, increase the distance between this product and the other equipment or switch it off.
- Refer to the detailed information and follow the guidance in chapter 12 *Electromagnetic compatibility (EMC)*, page 30.



#### **WARNING!**

##### **Risk of malfunction**

Electromagnetic interference may cause improper operation.

- Do not use this product adjacent to or stacked with other electrical equipment. If such use is necessary this product and the other equipment must be closely observed to verify that they are operating normally.

### 2.3.1 Battery charging mode



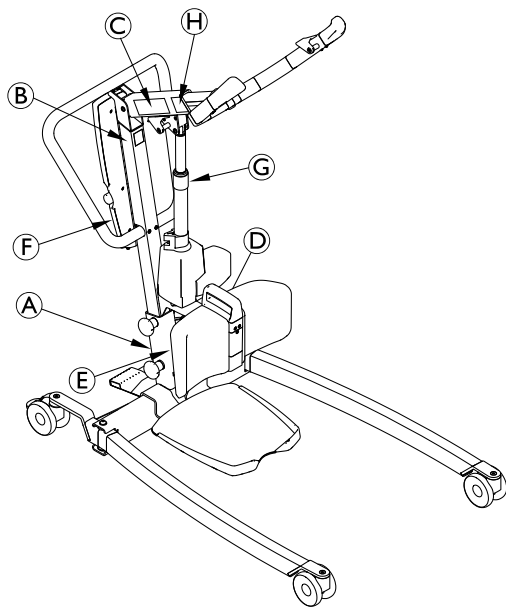
#### **IMPORTANT!**

During battery charging the control unit is more susceptible for damage by an Electrostatic Discharge (ESD). The occurrence of an ESD during battery charging mode may lead to control unit malfunction or loss of function.

- Avoid any possible sources of ESD during battery charging.

## 2.4 Labels and symbols on the product

### 2.4.1 Label location



Ⓐ	Identification label
Ⓑ	Read user manual label
Ⓒ	Name and safe working load of lift – depending on model
Ⓓ	Environmental conditions and total maximum weight label
Ⓔ	Safe working load of lift – depending on model
Ⓕ	Warranty void label – not present on all models
Ⓖ	Warning label
Ⓗ	Lifting arm adjustment label

### 2.4.2 Identification label



The identification label contains the main product information, including technical data.

#### Symbols

	Serial Number
	Reference Number
	Manufacturer Address
	Manufacturing Date

	Max. Safe Working Load
	CLASS II equipment
	Type B Applied Part
	WEEE conform
	European conformity

Abbreviations for technical data:

- lin = Incoming Current
- Uin = Incoming Voltage
- Int. = Intermittence
- AC = Alternating Current
- Max = maximum
- min = minute

For more information about technical data, see 11 *Technical Data*, page 27.

### 2.4.3 Other symbols

	Refer to User Manual
	Total weight of the product with the maximum safe working load applied
	Do not use the actuator as a push bar
	Do not remove Warranty void if removed or broken
	Temperature limit
	Humidity limitation
	Atmospheric pressure limitation
	Transport and storage conditions
	Operation conditions
	Lifting arm adjustment in correlation to the body height of the patient

## 3 Product Overview

### 3.1 Intended use

The stand assist patient lift is a battery-powered transfer device and is intended to transfer and position an individual from one seating surface to another. For example:

- Between the bed and a wheelchair
- To and from the toilet
- Rehabilitation, assisting a patient from a seated position to a standing position

The maximum safe working load is stated in *11 Technical Data, page 27*

The stand assist patient lift is designed to be used indoors on a level surface, in hospitals, nursing facilities and domestic areas. The stand assist patient lift can be turned (rotated) in place for transfers with limited floor space.

A healthcare professional or private person who has received proper training is the intended operator of this product.

### Indications

The stand assist lift is intended to transfer and position partially immobile weight-bearing patients.

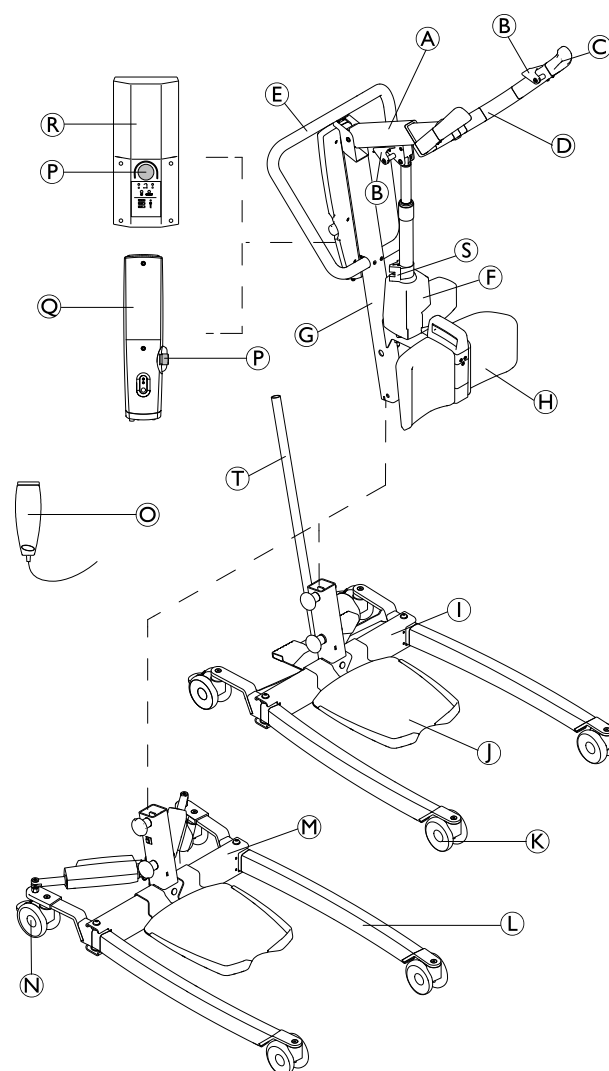
### Contraindications

The stand assist lift is contraindicated for patients who:

- are not cooperative
- are not able to understand and follow instructions
- do not have head and neck control
- do not have reasonable trunk stability

Some slings designed for the stand assist lift are contraindicated for patients who cannot support the majority of their weight. Refer to the sling user manual for more information.

### 3.2 Main parts of the lift



(A)	Boom
(B)	Hook for sling
(C)	Hand grip
(D)	Lifting arm
(E)	Push bar
(F)	Lifting actuator
(G)	Mast
(H)	Leg support (fixed or swiveling)
(I)	Base with foot pedal for manual leg spreader
(J)	Foot plate (high, low or inclined)
(K)	Front castors
(L)	Leg
(M)	Base with actuators for electrical leg spreader — with or without actuator covers
(N)	Rear castors with brake
(O)	Hand control
(P)	Emergency stop
(Q)	CBJ Home control unit with integrated battery



®	CBJ Care, CBJ1 or CBJ2 control unit with detachable battery
Ⓢ	Mechanical emergency lowering
Ⓣ	Lever for manual leg spreader

- Lever for manual leg spreader
- Protective covers for legs
- Leg band
- Wall charger for a detachable battery
- Extra battery
- Extra foot plate (high, low or inclined)

Sling models with loop attachments, suitable for hooks as attachment points:

- Invacare® Stand Assist sling (Europe) / Invacare® Standup sling (APAC): 2–point attachment with back support only.
- Invacare® Transfer Stand Assist sling: 4–point attachment with back and leg support.

### 3.3 Accessories



Due to regional differences, refer to your local Invacare website or catalog for details about available accessories or contact your Invacare provider.

## 4 Setup

### 4.1 General safety information



**WARNING!**

- Check all parts for shipping damage before use.
- In case of damage, do not use the equipment. Contact your Invacare provider for further instructions.



**WARNING!**

**Risk of Injury**

- Improper assembly may cause injury or damage.
- Use only Invacare parts in the assembly of this patient lift.
  - After each assembly, check that all fittings are properly tightened and all parts have the correct function
  - Do not overtighten the mounting hardware. This may damage the mounting brackets.

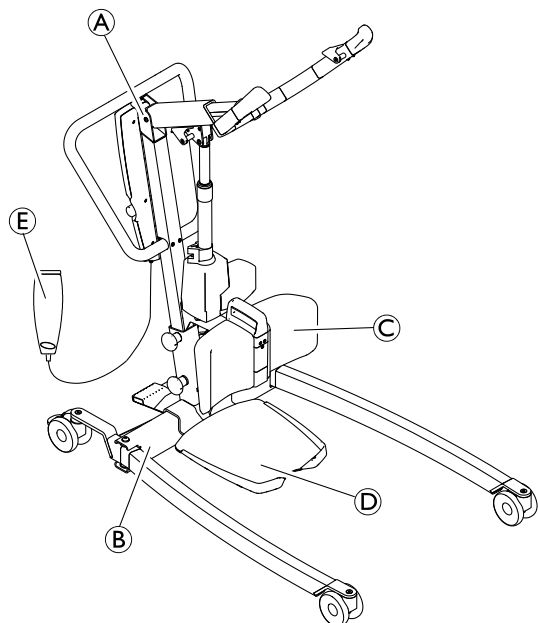


There are no tools required to assemble the patient lift.

If there are any issues or questions during assembly, contact your Invacare provider.

### 4.2 Scope of delivery

The items included in your package depend on the models and configurations available in your country. See 1.1 Introduction, page 4



(A)	Mast / boom assembly (1 piece) — incl. control unit and actuator
(B)	Base with or without actuators (1 piece)
(C)	Leg support
(D)	Foot plate
(E)	Hand control (1 piece)
	Mains cable (1 piece)

	User Manual (1 piece)
	Battery (1 or 2 pieces)* – CBJ Care, CBJ1 and CBJ2 only
	Lever for manual leg spreader (1 piece)*
	Leg band (1 piece)*
	Sling (1 piece)*

\* Depends on model and/ or configuration



If the lift is delivered with a sling, refer to the user manual of the sling for use, application, maintenance and washing instructions.

### 4.3 Installing the mast to the base

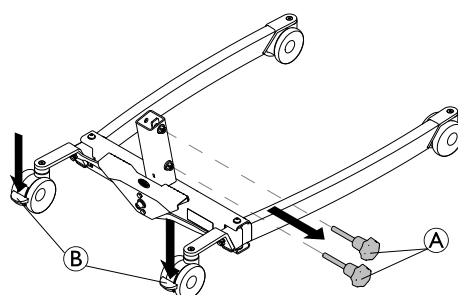


**WARNING!**

**Risk of injury or Damage**

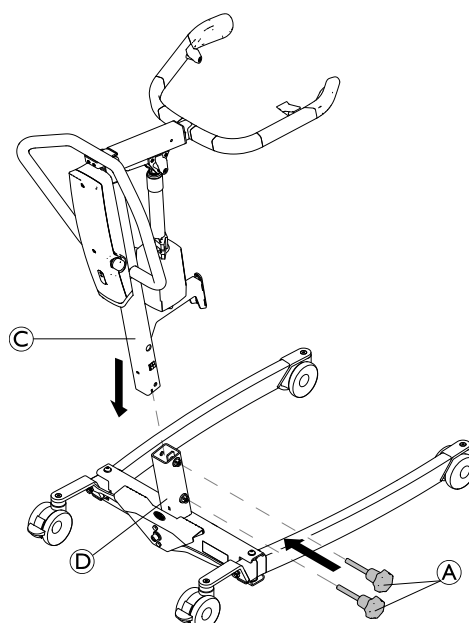
- The maximum safe working load stated on the boom and on the base must be the same.
- Always compare the maximum safe working load values stated on the base and on the boom.

1.



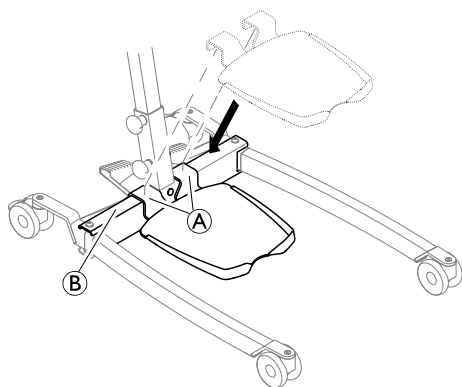
Lock both rear castors (B) and rotate the hand screws anti-clockwise (A) to remove them from the base

2.



With the boom pointing in forward direction, lower the mast (C) into the support of base (D) and reinstall the hand screws (A) to fix the mast (C) to the base.

## 4.4 Installing the foot plate



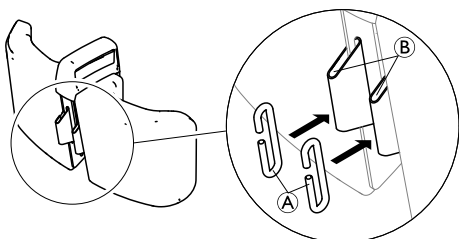
1. Lower the foot plate onto the base until the brackets **A** are fully seated on tube **B**.

## 4.5 Installing the leg band

(optional)

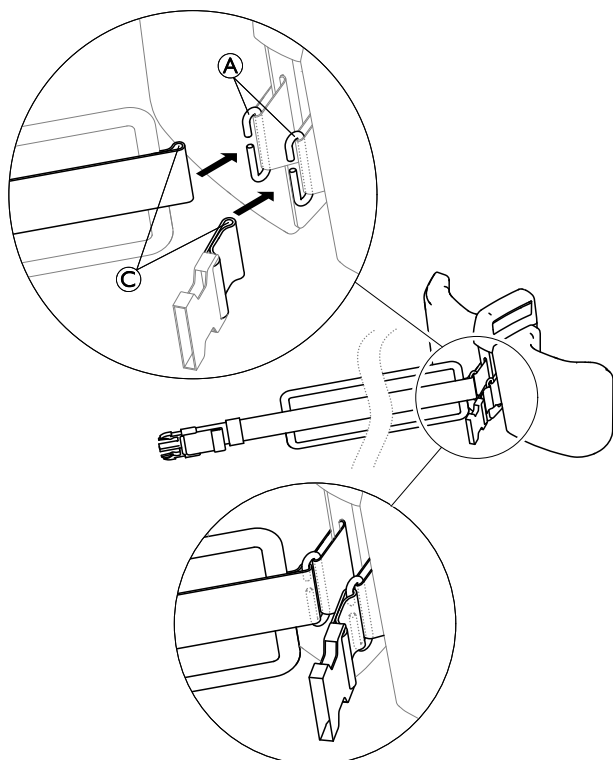
The two parts of the leg band are attached on the back side of the leg support.

1.



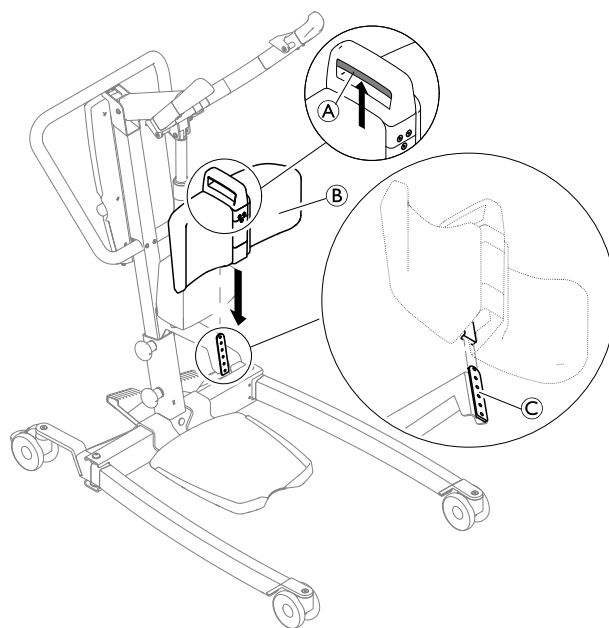
Thread the two hooks **A** into lugs **B** on the back side of the leg support.

2.




Thread the loops **C** of the two leg band parts into the hooks **A**.

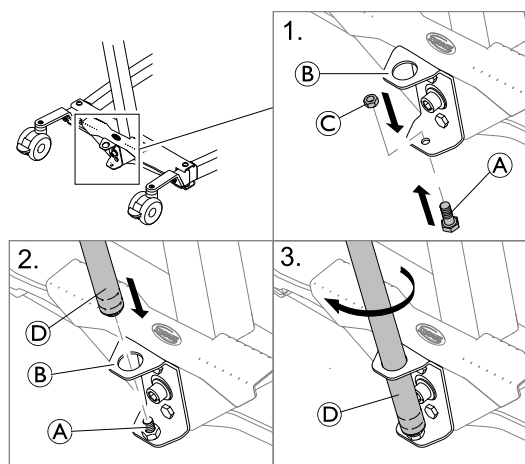
## 4.6 Installing the leg support



1. Push and hold up the release handle **A** on the leg support **B**.
2. Slide the guide bar on the back of the leg support **B** onto its mounting plate **C** on the mast.
3. When the desired height is reached, release the handle **A** and slightly move the leg support **B** up or down until an audible click is heard and the leg support **B** is locked into one of the 6 available height positions.

## 4.7 Installing the lever for manual leg spreader

 2 x 13 mm wrench



1. Insert the bolt **A** from below into the lower hole of the bracket **B** and fix it with the nut **C**.
2. Insert the threaded end of lever **D** into the upper hole of bracket **B** onto the fixed bolt **A**.
3. Turn the lever **D** clockwise to screw it onto the bolt.

## 4.8 Resetting the service indicator

(CBJ Care control unit only)



### **IMPORTANT!**

- If the service light is flashing yellow during daily usage or after a reassembly, the lift requires service.
  - Contact your Invacare provider for service.

After the initial assembly of the lift, the service indicator needs to be reset before using the lift.

To perform an initial reset of the service indicator:

1. Locate the hand control.
2. Press and hold the UP button and the DOWN button at the same time for five seconds.
3. You will hear a sound when the service indicator has been reset.

## 5 Usage

### 5.1 General safety information



#### WARNING!

##### Risk of injury or damage

Before using the lift with a patient, refer to the following safety information and instructions:

- 2 Safety, page 5
- 6 Patient Transfer, page 18

### 5.2 Locking/Unlocking the rear castors

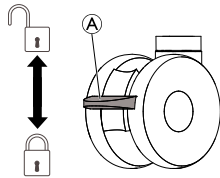


#### WARNING!

##### Risk of Injury or Damage

The lift could tip and endanger the patient and assistants.

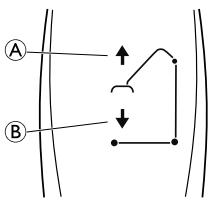
- Invacare recommends that the rear castors be left unlocked during lifting procedures to allow the patient lift to stabilize itself when the patient is initially lifted from a chair, bed or any stationary object.
- Invacare recommends locking the rear castors of the lift only when positioning or removing the sling from around the patient.



- To lock the castor, push down pedal (A) with the foot.
- To unlock the castor, push up pedal (A) with the foot.

### 5.3 Raising/Lowering an Electric Lift

The hand control is used to raise or lower the lift.



1. To raise the lift — Press and hold the UP (A) button to raise the boom and the patient.
2. To lower the lift — Press and hold the DOWN (B) button to lower the boom and the patient.



Release the button to stop raising or lowering the lift.

### 5.4 Closing/Opening Legs



#### WARNING!

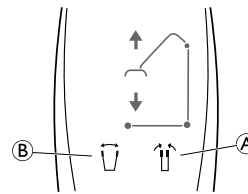
##### Risk of Injury

The lift could tip and endanger the patient and assistants.

- The legs of the lift must be in the maximum open position for optimum stability and safety. If it is necessary to close the legs of the lift to maneuver the lift under a bed, close the legs of the lift only as long as it takes to position the lift over the patient and lift the patient off the surface of the bed. When the legs of the lift are no longer under the bed, return the legs of the lift to the maximum open position.

#### 5.4.1 Closing/Opening Electric Legs

The hand control is used to open or close the legs of the base.

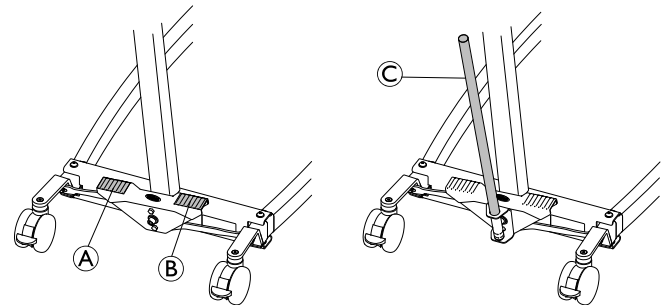


1. To close the legs, press and hold the legs closed button (A).
2. To open the legs, press and hold the legs open button (B).



The legs will stop moving when the button is released.

#### 5.4.2 Closing/Opening legs manually



The manual leg spreader is operated by two pedals (A) and (B) or by the lever (C).

1. To open the legs, press the right pedal (B) with a foot.
2. To close the legs, press the left pedal (A) with a foot.

With the lever:

1. To open the legs, pull the lever (C) to the right.
2. To close the legs, push the lever (C) to the left.

### 5.5 Adjusting the lifting arm to patient body height



#### CAUTION!

##### Risk of injury or damage

A wrong boom position may cause the lifting arm to suddenly slide in or out when released.

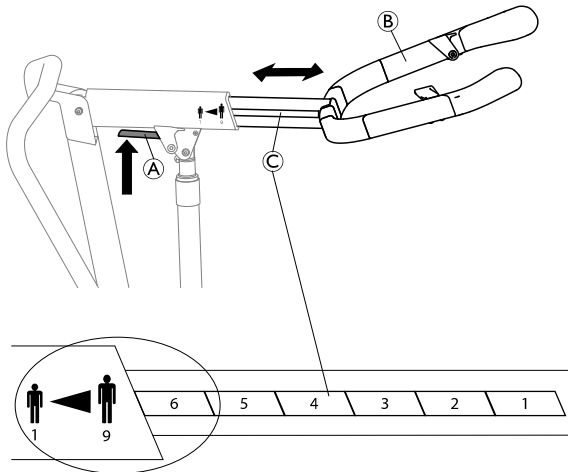
- Always adjust the lifting arm when unloaded and with the boom in horizontal position.

The main adjustment criteria is the patients body height, but the correct setting also depends on other factors such as length of the sling loops, patient condition and preference.

The following guidelines are based on average values and deviations can and do occur:

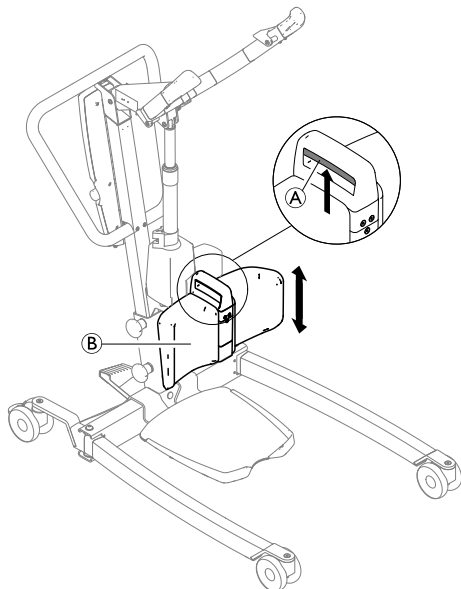
- Position 1 (fully shortened): patient height from about 140 cm and taller.
- Position 5: patient height from about 170 cm and taller.
- Position 9 (fully extended): patient height up to about 200 cm.

**! IMPORTANT**  
An individual trial fitting is strongly recommended to determine a correct and safe setting for each patient.



1. Push and hold the red lever (A) on the boom upwards.
2. Adjust the length of the lifting arm (B) to one of the nine available positions indicated on the scale (C), by placing the desired position field before the edge of the boom.
3. Release the lever (A) and slightly move the lifting arm (B) back and forth until an audible click is heard and it is locked into position.

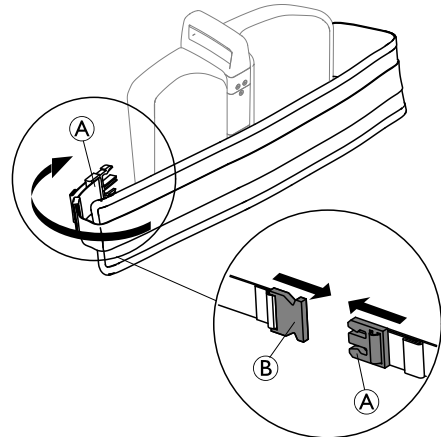
## 5.6 Adjusting the height of the leg support



1. Push and hold the release handle (A) on the leg support (B) upwards.
2. Slide the leg support (B) up or down.
3. When the desired height is reached, release the handle (A) and slightly move the leg support (B) up or down until an audible click is heard and the leg support (B) is locked into one of the 6 available height positions.

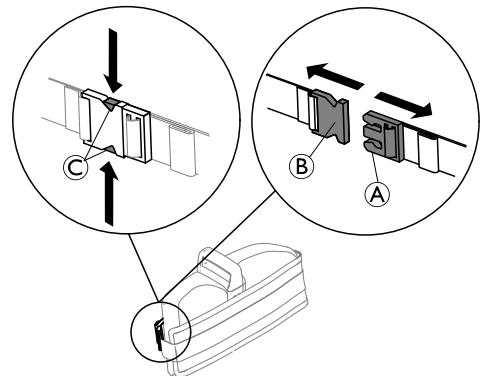
## 5.7 Using the leg band

- 1.



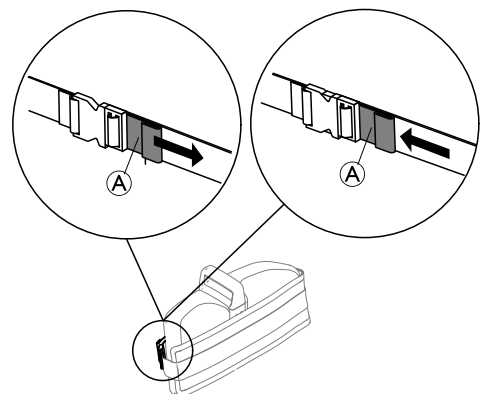
To apply the leg band, wrap the long padded part around the leg support and the patient's lower legs and push the catch (A) into the buckle clasp (B) on the back side of the leg support.

- 2.



To open, press the release mechanism (C) and pull the catch (A) out of the buckle clasp (B).

- 3.

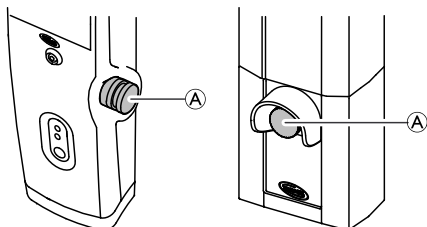


To adjust the length of the leg band, either pull on the lug (A) to shorten or push the lug (A) towards the buckle to lengthen.

- i** When there is no patient in the lift, wrap the leg band around the leg support, close and shorten it to tighten.

## 5.8 Emergency functions

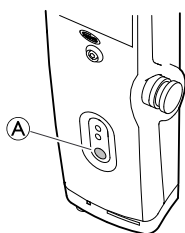
### 5.8.1 Performing an emergency stop



1. Press the red emergency button (A) on the control unit to stop the boom and patient from raising or lowering.
2. To reset, rotate the emergency button clockwise.

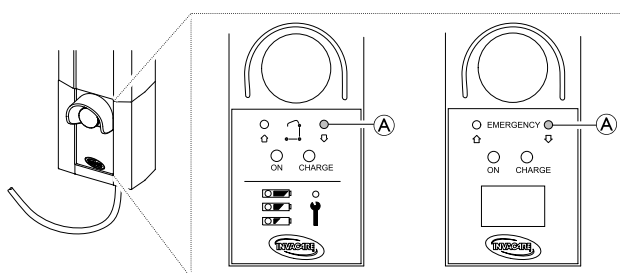
### 5.8.2 Activating an emergency lowering (CBJ Home control unit)

If the hand control fails, the boom can be lowered by using the circular switch for emergency release.



1. Lower the boom by pressing and holding button (A) at the front of the control unit.
2. Stop lowering the boom by releasing the button.

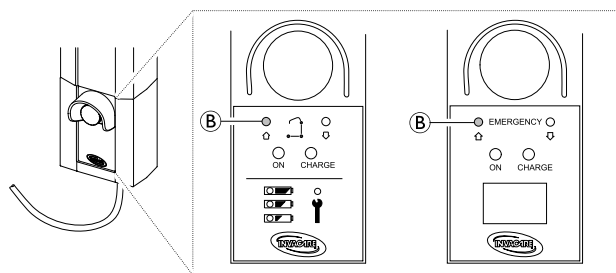
### 5.8.3 Activating an emergency lowering (CBJ Care, CBJ1, CBJ2 control unit)



If the hand control fails, the boom can be lowered by using the circular switch for emergency release. Use a sharp object, such as a pencil to press the button.

1. Lower the boom by pressing and holding button (A) at the front of the control unit.
2. Stop lowering the boom by releasing the button.

### 5.8.4 Activating an emergency lifting (CBJ Care, CBJ1 control unit)



If the hand control fails, the boom can be raised by using the circular switch for emergency lifting. Use a sharp object, such as a pencil to press the button.

1. Raise the boom by pressing and holding button (B) at the front of the control unit.
2. Stop raising the boom by releasing the button.

### 5.8.5 Activating a mechanical emergency lowering

If the emergency lowering on the control unit is not working, a mechanical emergency lowering is available as a back-up. This may happen in case of partial or total power failure, or if the battery runs down during use.



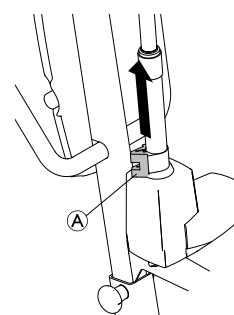
#### WARNING!

##### Risk of Injury or Damage

Repeated mechanical emergency lowering leads to a high increase of the lowering speed.

- Only use the mechanical emergency lowering as a back-up when the emergency lowering on the control unit is not working.
- Do not use the mechanical emergency lowering repeatedly in close succession.
- Always lower the patient onto a supporting surface like a bed or a chair.
- After a mechanical emergency lowering was required, the lift must be checked to resolve the malfunction of the control unit.

1. Locate the red emergency grip (A) at the bottom of the actuator piston.
2. Slowly pull up the red emergency grip (A) and hold it in position when a safe lowering speed is reached.
3. If no lowering occurs with a fully pulled emergency grip (A), push down on the boom at the same time.



The effective lowering speed is depending on the patient weight. If the speed is too low or too high, it can be adapted to the patient weight.

Adjusting the lowering speed:

1. Locate the screw in the bottom hole of the red emergency grip (A).
2. Turn the screw counter-clockwise to increase the speed.
3. Turn the screw clockwise to decrease the speed.

## 5.9 Charging the battery

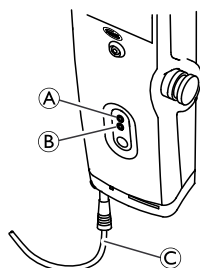
### ! IMPORTANT!

- Make sure the emergency stop is not activated while charging the battery.
- Make sure that charging takes place in a room with good air ventilation.
- Electrical functions are not working when the lift is connected to power supply.
- Do not attempt to use the lift if the battery housing is damaged.
- Replace a damaged battery housing before further use.
- Do not move the lift without unplugging from the power outlet.

It is recommended to charge the battery daily to ensure optimal use of the lift and prolong the life of the battery. Furthermore, it is recommended to charge the battery before first use.

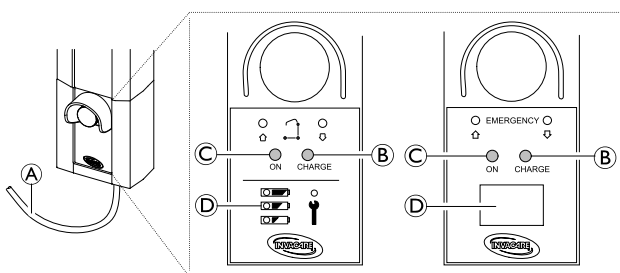
### 5.9.1 CBJ Home control unit

The control unit is equipped with a sound signal. A beep indicates that the battery has low capacity, but lowering the patient is still possible. It is recommended to charge the batteries as soon as the sound signal is heard.



1. Plug the power cord © into a power outlet.
  - The battery will charge in approximately 4 hours. The charger stops automatically when the batteries are fully charged. The upper yellow diode (A) will flash during charging, and switch to continuous light when fully charged. The lower green diode (B) will light continuously while the control unit is connected to the mains, and lights up when any button on the hand control is pressed or when the electric emergency lowering is activated.
2. Disconnect the power cord from the power outlet after the battery has been fully charged.

### 5.9.2 CBJ Care, CBJ1, CBJ2 control unit



The control unit is equipped with a sound signal. A beep indicates that the battery has low capacity, but lowering the

patient is still possible. It is recommended to charge the batteries as soon as the sound signal is heard.

1. Plug the power cord (A) into a power outlet.
  - The battery will charge in approximately 4 hours. The charger stops automatically when the batteries are fully charged. The right yellow diode (B) will light continuously during charging, and switch off when fully charged. The left green diode (C) will light continuously while the control unit is connected to the mains.
2. Disconnect the power cord (A) from the power outlet after the battery has been fully charged.

### Battery Indicator

The control unit may be equipped with a battery indicator (D), indicating the remaining battery capacity.

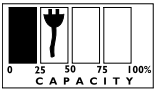
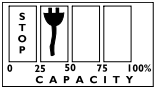
#### CBJ Care

Battery Indicator Type	Battery State	Description
	Full Charge	The battery is OK — no need for charging (100–50%). The top LED is GREEN.
	Partial Charge	The battery needs to be charged (50–25%). The middle LED is YELLOW.
	Low Charge	The battery needs to be charged (Less than 25%). Acoustic signal when a button is pressed. The bottom LED is YELLOW.
	Low Charge (LED flashing)	The battery needs to be charged. Some of the functionality of the lift is lost and it is only possible to lower the boom.

#### CBJ1 and CBJ2 with LCD



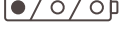
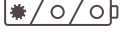
Battery Indicator Type	Battery State	Description
	Full Charge (100%)	The battery is OK — no need for charging (100%).
	Partial Charge (75%)	The battery is OK — no need for charging (75%).
	Partial Charge (50%)	The battery needs to be charged (50%).



Battery Indicator Type	Battery State	Description
	Low Charge (25%)	The battery needs to be charged (25%). Acoustic signal when a button is pressed.
	Low Charge (0%)	The battery needs to be charged. Some of the functionality of the lift is lost and it is only possible to lower the boom.


### Optional hand control

For CBJ Care a optional hand control with battery indicator is available.

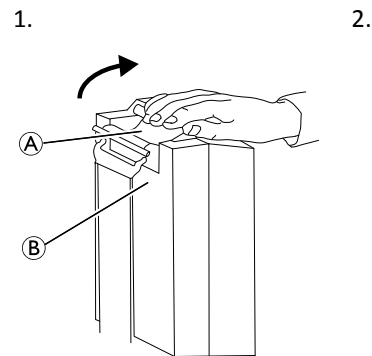
Battery Indicator Type	Battery State	Description
	Full Charge	The battery is OK — no need for charging (100–50%). The right LED is GREEN.
	Partial Charge	The battery needs to be charged (50–25%). The middle LED is YELLOW.
	Low Charge	The battery needs to be charged (Less than 25%). Acoustic signal when a button is pressed. The left LED is YELLOW.
	Low Charge (LED flashing)	The battery needs to be charged. Some of the functionality of the lift is lost and it is only possible to lower the boom.

### 5.9.3 Optional battery charger

(for control units with detachable battery only)

 The procedure of removing or installing the battery is the same for the control unit and the charger.

### Removing the battery



1. Lift up on the handle (A) on the back of the battery (B).
2. Lift the battery up and out away from the control unit or charger .

### Installing the battery

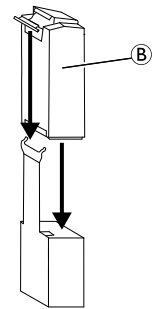


#### CAUTION!

Installing the battery improperly may cause injury or damage.

- Make sure there is an audible click when installing the battery on the control unit or charger to confirm proper installation.

1. Place the battery (B) on the control unit or charger as shown and make sure there is an audible click.



When the battery is placed on the charger, the charge LED will illuminate. When charging is complete, charge LED will switch off.

A battery needing to be fully recharged will take approximately four hours.

## 6 Patient Transfer

### 6.1 General safety information



#### **WARNING!**

##### **Risk of Injury or Damage**

Improper use of this product may cause injury or damage.

- Before transferring to a stationary object (wheelchair, bed, commode or other surface) check that its weight capacity can withstand the patient's weight.
- If applicable the brakes of the stationary object (wheelchair, bed etc.) must be applied before lowering the patient onto or lifting the patient off.
- When using the lift in conjunction with beds or wheelchairs, be aware of the position of the lift in relationship to those other devices so that the lift does not become entangled.
- Before positioning the legs of the patient lift under a bed, make sure that the area is clear of any obstructions.



#### **WARNING!**

##### **Risk of Injury or Damage**

Improper use of this product may cause injury or damage.

- Use the push bars on the mast at all times to push or pull the lift.
- Avoid using the lift on an incline. Invacare recommends that the product only be used on a flat surface.
- During transfer, with the patient suspended in a sling attached to the lift, do not roll lift over uneven surfaces that could cause the lift to tip over.
- During transfer, with the patient suspended in a sling keep the legs at the maximum open position for optimum stability. If it becomes necessary to move through a narrow passage, close the legs only as long as required and return to maximum open position as soon as possible.



#### **WARNING!**

##### **Risk of Injury or Damage**

Damage to parts of the lift (hand control, castors, etc.) caused by impact with the floor, walls or other stationary objects may cause damage to the product and lead to injury.

- Do not allow parts of the lift to impact the floor, walls or other stationary objects.
- Always store the hand control properly when not in use.



#### **WARNING!**

##### **Risk of Injury**

- Injury to the patient and/or assistant may occur
- Always be aware of the position of the lifting arm and the patient.
  - Always be aware of the position of the foot plate, especially the patient's position on the foot plate.
  - Before positioning the legs of the lift around the patient, make sure that the patient's feet are out of the way of the foot plate.
  - Always ensure that the foot plate and/or patient's feet are dry before performing a transfer.



#### **WARNING!**

##### **Risk of Entrapment or Strangulation**

The hand control cord can cause injury if improperly positioned and secured.

- Always be aware of the location of the hand control cord in relation to the patient and caregivers.
- Do not allow the hand control cord to become entangled around the patient and caregivers.
- The hand control must be secured properly. ALWAYS store the hand control properly when not in use.



#### **WARNING!**

##### **Risk of Entrapment or Strangulation**

Items in the patient's surroundings can cause entrapment strangulation during lifting. To avoid entrapment or strangulation:

- Before lifting, check that the patient is completely free of his/her surroundings.



#### **WARNING!**

##### **Risk of Entrapment**

There is a risk of entrapment between the hooks and the sling.

- Use caution when lifting.
- Never put hands or fingers on or near the hooks when lifting.
- Ensure the patient's hands and fingers are away from the hooks before lifting.



#### **WARNING!**

##### **Risk of injury**

- Injury to the patient and/or assistant may occur:
- If lifting arm and/or leg support is not adjusted correctly to the patient height.
  - If the lifting arm adjustment is not locked, damaged or with worn parts.



#### **IMPORTANT!**

All transfer procedures described in the following can be performed by one (1) assistant. However, Invacare recommends that the procedures are performed by two (2) assistants whenever possible.



Only lift the patient as high as required. A lower center of gravity provides better stability, makes the patient feel more secure and the lift easier to move.

## 6.2 Attaching the sling to the lift



### WARNING! Risk of Injury

Usage of wrong or damaged slings can cause the patient to fall or cause injury to assistants.

- Use an Invacare approved sling that is recommended by the individual's doctor, nurse or medical assistant for the comfort and safety of the individual being lifted.
- Invacare slings and patient lift accessories are specifically designed to be used in conjunction with Invacare patient lifts.
- After each laundering (in accordance with instructions on the sling), inspect sling(s) for wear, tear, and loose stitching.
- Bleached, torn, cut, frayed, or damaged slings are unsafe and could result in injury. Discard immediately.
- DO NOT alter slings.



### WARNING! Risk of Injury

Improperly attached or adjusted slings can cause the patient to fall or cause injury to assistants.

- Be sure to check the sling attachments each time the sling is removed and replaced, to ensure that it is properly attached before the patient is removed from a stationary object (bed, chair or commode).
- DO NOT use any kind of plastic back incontinence pad or seating cushion between patient and sling material that may cause the patient to slide out of the sling during transfer.
- Position the patient in the sling as directed by the instructions provided with the sling.
- Adjustments for patient safety and comfort should be made before moving the patient.

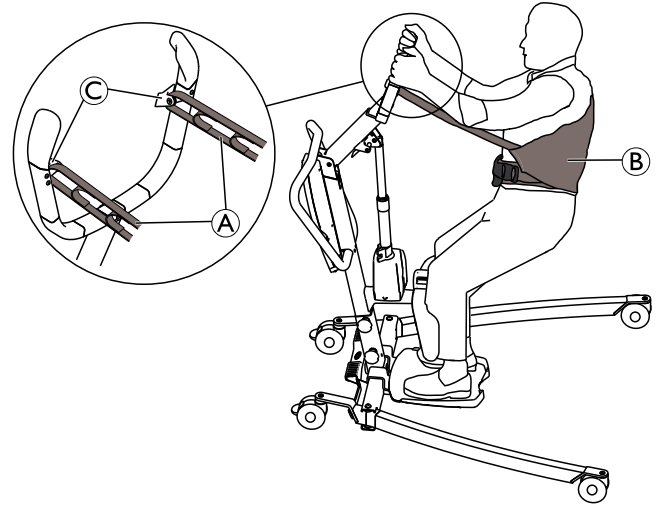
The loops of the sling may be equipped with color coded straps providing different length, to place the patient in various positions. Match the corresponding colors on each side of the sling for an even lift of the patient.

### Invacare® Stand Assist sling



### WARNING! Risk of Injury

- Using a Stand Assist sling the patient must be able to support the majority of their own weight.
- Make sure the bottom edge of the Stand Assist sling is placed on the lower back of the patient and the patient's arms are outside of the sling.
- The belt must be snug to prevent the patient from sliding out of the sling.



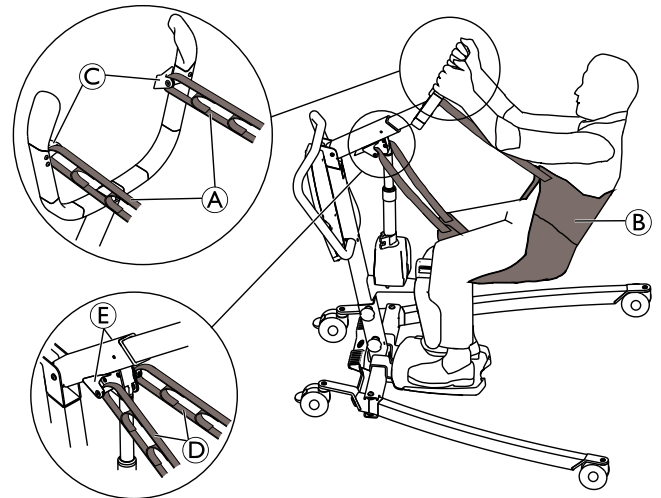
1. Place the loops **A** of the sling **B** over the hooks **C** on the lifting arm.

### Invacare® Transfer Stand Assist sling



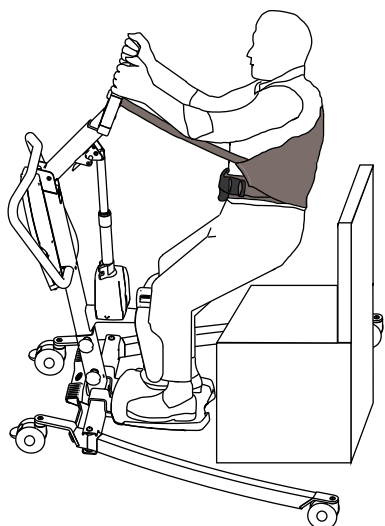
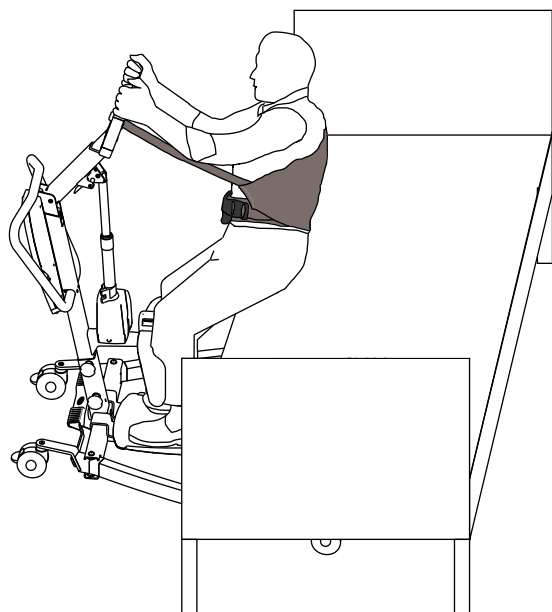
### WARNING! Risk of Injury

- Make sure the bottom edge of the Transfer Stand Assist sling is placed at the base of the patient's spine and the patient's arms are outside of the sling.
- Do not raise the patient to a full standing position using the Transfer Stand Assist sling.



1. Place the upper loops **A** of the sling **B** over the hooks **C** on the lifting arm.
2. Place the lower loops **D** of the sling **B** over the hooks **E** on the boom.

## 6.3 Transferring a patient




### Lifting from a seating surface

1. Before proceeding, review the information and observe all warnings indicated in 2 *Safety, page 5* and 6 *Patient Transfer, page 18*.
2. If applicable, ensure the brakes of the stationary object (e.g. bed, wheelchair etc.) are applied.
3. Position the sling around the patient. Refer to your sling user manual.
4. Adjust the lifting arm to the patient height, if required. See 5 *Usage, page 13*.
5. Unlock the rear castors of the lift. See 5 *Usage, page 13*.
6. Open the legs of the lift to maximum. See 5 *Usage, page 13*.
7. Use the push bar to move the lift into position.
  - For transferring a patient from a bed the legs of the lift are placed under the bed
  - For transferring a patient from a wheelchair, commode, chair etc. the legs of the lift are placed on each side of the stationary object.
8. Instruct the patient to place their feet onto the foot plate and their lower legs against the leg support. Assist the patient if necessary and ensure proper placement of the feet on the foot plate

9. Ensure the upper edge of the leg support cushion is placed about 2 fingers below the kneecaps (patella) of the patient. Adjust the height of the leg support if necessary. See 5 *Usage, page 13*.
10. If applicable, adjust and apply the leg band around the patients lower legs. See 5 *Usage, page 13*.
11. Lower the patient lift for easy attachment of the sling. See 5 *Usage, page 13*.
12. Lock the rear castors of the lift. See 5 *Usage, page 13*
13. Attach the sling. See 6.2 *Attaching the sling to the lift, page 19*
14. Unlock the rear castors of the lift. See 5 *Usage, page 13*.
15. Instruct the patient to hold onto the hand grips on both sides of the lifting arm.
16. Instruct the patient to lean back into the sling.
17. Press the UP arrow button on the hand control to raise the patient above the stationary object. See 5 *Usage, page 13*
18. Before moving the patient, check again to make sure that the sling is properly connected to the hooks of the lifting arm. If any attachments are not properly in place, lower the patient back onto the stationary object and correct the problem.
19. Using the push bar, move the lift away from the stationary object.

### Lowering to a seating surface

1. Before proceeding, review the information and observe all warnings indicated in 2 *Safety, page 5* and 6 *Patient Transfer, page 18*.
2. Ensure the patient is raised high enough to clear the surface to be transferred to. Raise the patient and/or lower the stationary object if applicable.
3. If applicable, ensure the brakes of the stationary object (e.g. bed, wheelchair etc.) are applied.
4. Position the patient as far over the seating surface as possible.
  - For transferring a patient to a bed the legs of the lift are placed under the bed
  - For transferring a patient to a wheelchair, commode, chair etc. the legs of the lift are placed on each side of the stationary object.
5. Press the DOWN arrow button and lower the patient onto the seating surface. See 5 *Usage, page 13*
6. Lock the rear castors of the lift. See 5 *Usage, page 13*
7. Unhook the sling from all attachment points on the stand assist lift.
8. If applicable, remove the leg band from around the patients lower legs. See 5 *Usage, page 13*
9. Instruct the patient to lift their feet off of the foot plate. Assist the patient if necessary.
10. Unlock the rear castors of the lift. See 5 *Usage, page 13*
11. Move the lift away from the stationary object.
12. Remove the sling from around the patient.
  -  The patient can remain in the Invacare® Stand Assist sling while using the commode. In this case the sling must not be placed around the patient again before lifting from the commode.

---

## 7 Transportation and Storage

---

### 7.1 General information

During transportation, or when the patient lift is not to be used for some time, the emergency stop button should be pushed in.

A disassembled lift can be located in the packaging box, for transportation and storage.

The patient lift must be stored at normal room temperature. If it is stored in a damp, cold or wet environment then the motor and other mounting parts may be prone to corrosion. See *11.4 Environmental conditions, page 28*.

### 7.2 Disassembling the lift

1. Remove the leg spreader lever if attached.
2. Lower the boom and close the legs completely.
3. Activate the emergency stop button and apply castor brakes.
4. Adjust the lifting arm to minimum length. See *5.5 Adjusting the lifting arm to patient body height, page 13*.
5. Reverse the procedure described in *4.6 Installing the leg support, page 11*.
6. Reverse the procedure described in *4.3 Installing the mast to the base, page 10*.
7. Reverse the procedure described in *4.4 Installing the foot plate, page 11*.

## 8 Maintenance

### 8.1 General maintenance information



#### CAUTION!

##### Risk of injury or damage

- Do not perform any maintenance or service procedures while the product is in use.

Follow the maintenance procedures described in this manual to keep your product in continuous service.

Further maintenance and inspection procedures, to be performed by a qualified technician, are described in the service manual of this product. Service manuals can be obtained from Invacare.

### 8.2 Daily inspections



#### WARNING!

##### Risk of injury or damage

- Damaged or worn parts can affect the safety of the lift.
- The patient lift should be checked each time it is used.
  - Do not use the lift if damage is found or you question the safety of any part of the lift. Contact your Invacare provider immediately and ensure the lift is not used until repairs are made.

#### Daily Inspection Checklist

- Visually inspect the patient lift. Check all parts for external damage or wear.
- Check all hardware, attachment points and stressed parts, such as slings, hooks and any pivot points for signs of wear, cracking, fraying, deformation or deterioration.
- Verify that the hand control is functional (lifting and leg movements).
- Charge the battery every day the lift is used.
- Check the emergency stop function.
- Check the service light (CBJ Care control unit only).



The service light is indicated by a wrench symbol on the control unit and if applicable on the hand control.

- If the service light is flashing yellow the lift requires service. Do not use the lift and contact your Invacare provider for service.
- If the service light is not flashing the lift is ready for use.

### 8.3 Cleaning and Disinfection

#### 8.3.1 General safety information



#### CAUTION!

##### Risk of contamination

- Take precautions for yourself and use appropriate protective equipment.



#### CAUTION!

##### Risk of electric shock and product damage

- Switch off the device and disconnect from mains, if applicable.
- When cleaning electronic components consider their protection class regarding water ingress.
- Make sure that no water splashes to the plug or the wall outlet.
- Do not touch the power socket with wet hands.



#### IMPORTANT!

Wrong fluids or methods can harm or damage the product.

- All cleaning agents and disinfectants used must be effective, compatible with one another and must protect the materials they are used to clean.
- Never use corrosive fluids (alkalines, acid etc.) or abrasive cleaning agents. We recommend an ordinary household cleaning agent such as dishwashing liquid, if not specified otherwise in the cleaning instructions.
- Never use a solvent (cellulose thinner, acetone etc.) that changes the structure of the plastic or dissolves the attached labels.
- Always make sure that the product is completely dried before taking into use again.



For cleaning and disinfection in clinical or long-term care environments, follow your in-house procedures.

#### 8.3.2 Cleaning Intervals



#### IMPORTANT!

Regular cleaning and disinfection enhances smooth operation, increases the service life and prevents contamination.

Clean and disinfect the product

- regularly while it is in use,
- before and after any service procedure,
- when it has been in contact with any body fluids,
- before using it for a new user.

#### 8.3.3 Cleaning instructions



#### IMPORTANT!

- The product does not tolerate cleaning in automatic washing systems, with high-pressure cleaning equipment or steam.

#### Cleaning the lift

Method: Wipe off with a wet cloth or soft brush.

Max. temperature: 40 °C


Solvent/chemicals: Ordinary household cleaning agent and water.

Drying: Wipe dry with a soft cloth.

#### Cleaning the sling

Refer to the washing instructions on the sling and to the sling manual for cleaning details.

### 8.3.4 Disinfection instructions

 Information on recommended disinfectants and methods can be found on <https://vah-online.de/en/for-users>.

#### In domestic care

Method: Follow the application notes for the used disinfectant and wipe disinfect all accessible surfaces.

Disinfectant: Ordinary household disinfectant.

Drying: Allow the product to air-dry.

#### In clinical and long term care

Follow your in-house disinfection procedures and only use the disinfectants and methods specified therein.

## 8.4 Service interval



### WARNING!

#### Risk of injury or damage

Service must be performed only by a qualified technician.

– Contact your Invacare provider for service.

Service must be performed at least every 12 months unless otherwise stated in local requirements.

### 8.4.1 LOLER Statement

The UK Health and Safety Executive's Lifting Operations and Lifting Equipment Regulations 1998, require any equipment that is used in the workplace to lift a load be subject to safety inspection on a six monthly basis. Please refer to the HSE web site for guidance [www.hse.gov.uk](http://www.hse.gov.uk).

The person responsible for the equipment must ensure adherence to LOLER regulations.

---

## 9 After Use

---

### 9.1 Disposal

**WARNING!****Environmental Hazard**

Device contains batteries.

This product may contain substances that could be harmful to the environment if disposed of in places (landfills) that are not appropriate according to legislation.

- DO NOT dispose of batteries in normal household waste.
- Batteries **MUST** be taken to a proper disposal site. The return is required by law and free of charge.
- Do only dispose discharged batteries.
- Cover terminals of lithium batteries prior to disposal.
- For information on the battery type see battery label or chapter *11 Technical Data, page 27*.

Be environmentally responsible and recycle this product through your recycling facility at its end of life.

Disassemble the product and its components, so the different materials can be separated and recycled individually.

The disposal and recycling of used products and packaging must comply with the laws and regulations for waste handling in each country. Contact your local waste management company for information.

### 9.2 Reconditioning

This product is suitable for reuse. To recondition the product for a new user, carry out the following actions:

- Cleaning and disinfection
- Inspection according to service plan

For detailed information about inspection, cleaning and disinfection, consult the user manual and service manual for this product.




# 10 Troubleshooting

## 10.1 Identifying faults and possible solutions

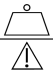
Symptoms	Faults	Solution
Patient lift feels loose	Mast/ Base joint loose	Retighten the Mast / Base connection. See 4.3 <i>Installing the mast to the base, page 10</i>
	Manual leg spreader mechanism loose	Contact your Invacare provider
Castors/ brakes noisy or stiff	Fluff or debris in bearings	Clean castors from fluff and debris
	Castors / brakes are damaged	Contact your Invacare provider
Noisy or dry sound from pivots	Pivots are worn or damaged	Contact your Invacare provider
Electric actuator fails to raise or lower the boom or legs fail to open or close when button is pressed	Hand control or actuator connector loose	Connect hand control or actuator connector. Ensure connectors are seated properly and fully connected
	Battery low	Charge the battery. See 5.9 <i>Charging the battery, page 16</i>
	Emergency stop button is pressed in	Rotate the emergency stop button clockwise until it pops out
	Battery not connected properly to control unit	Reconnect the battery to the control unit. See 5.9.3 <i>Optional battery charger, page 17</i>
	The connecting terminals are damaged	Contact your Invacare provider
	Power cord connected to power outlet	Disconnect power cord from power outlet
	Boom actuator or leg actuator is damaged	Contact your Invacare provider
	Max. load is exceeded	Reduce the load (and the lift will function normally)
Unusual noise from actuator	Actuator is damaged	Contact your Invacare provider
Boom will not lower when activating the manual emergency release	Boom requires a minimum weight load to lower from the uppermost position	Pull down slightly on the boom
The control unit emits a beeping sound during lifting, and the motor stops	Max. load is exceeded	Reduce the load (and the lift will function normally)
Battery does not charge	Power cord is not properly connected to the control unit/and or power outlet	Ensure connectors are seated properly and fully connected. See 5.9 <i>Charging the battery, page 16</i>
	Power cord is damaged	Contact your Invacare provider
Lifting arm can not be adjusted	The red lever on the boom is not pushed and held upwards	See 5.5 <i>Adjusting the lifting arm to patient body height, page 13</i>
	Lifting arm is already at the maximum or minimum position	See 5.5 <i>Adjusting the lifting arm to patient body height, page 13</i>
	The adjustment mechanism is damaged	Contact your Invacare provider
	Boom is in wrong position	Move the boom to horizontal position. See 5.3 <i>Raising/Lowering an Electric Lift, page 13</i>
Leg support can not be installed or adjusted	The release handle not pushed and held upwards	See 4.6 <i>Installing the leg support, page 11</i>
	The adjustment mechanism is damaged	Contact your Invacare provider
	Leg band is clogging the back of the leg support	Clear the back of the leg support

Symptoms	Faults	Solution
Mast can not be assembled on the base	Boom pointing in the wrong direction	Bring the boom in correct position. See <i>4.3 Installing the mast to the base, page 10</i>
Lift does not roll	The castors are locked	Unlock the castors See <i>5.2 Locking/Unlocking the rear castors, page 13</i>

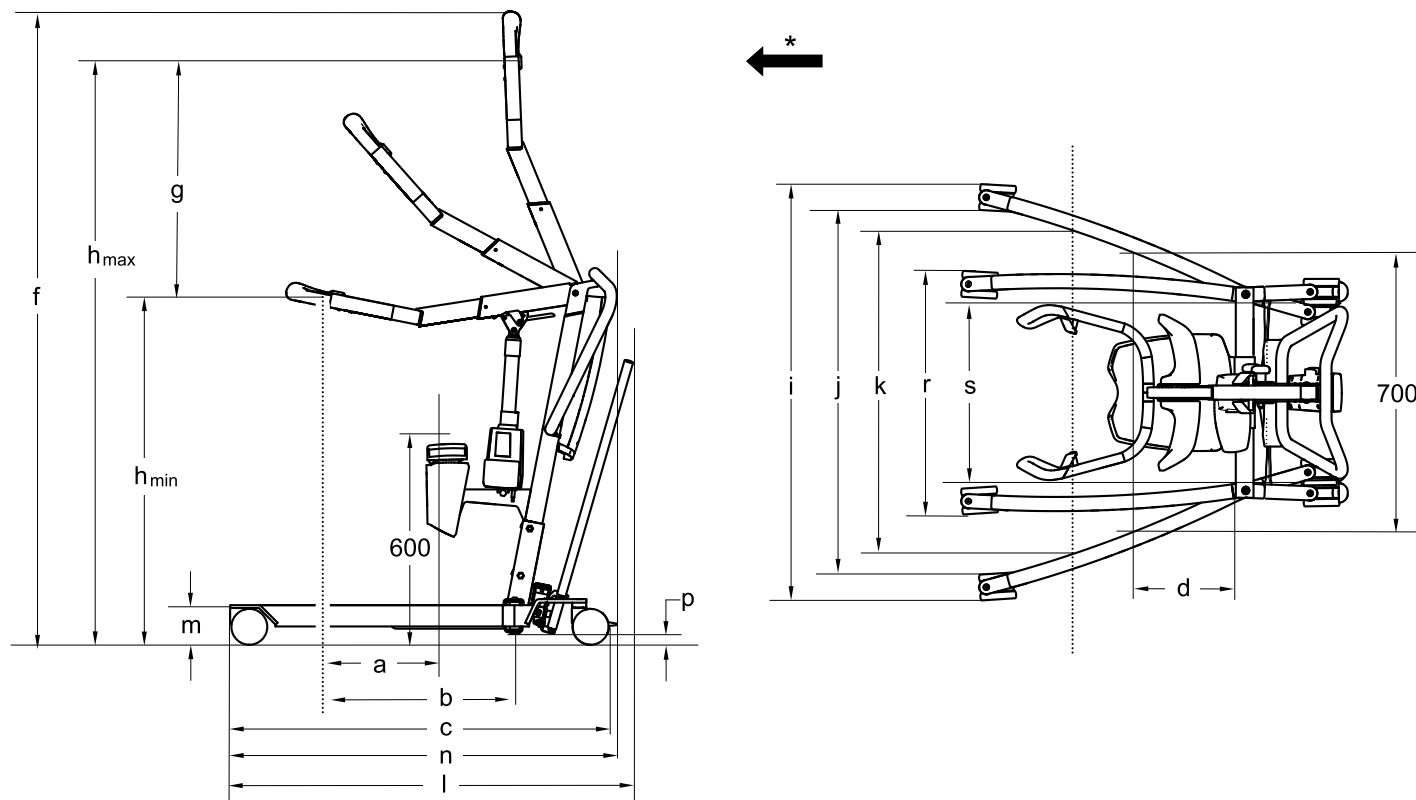
 Contact your Invacare provider if the above does not solve your problems.

# 11 Technical Data

## 11.1 Maximum safe working load

	<b>ISA™ COMPACT</b>	<b>ISA™ STANDARD</b>	<b>ISA™ PLUS</b>	<b>ISA™ XPLUS</b>
Max. Safe Working Load (patient + sling)	140 kg	160 kg	180 kg	200 kg

## 11.2 Dimensions and weights



\* Forward direction

Dimensions [mm]	ISA™ COMPACT	ISA™ STANDARD	ISA™ PLUS	ISA™ XPLUS
Front / rear castor diameter	75 / 75	100 / 100	100 / 100	100 / 125
Max. reach at 600 mm (a)*	110 - 270	110 - 270	110 - 270	110 - 270
Max. reach from base (b)*	340 - 500	340 - 500	340 - 500	340 - 500
Base length (c)	900	925	1080	1220
Total length without lever (n)	925	925	n/a	1280
Total length with lever (l)*	980 - 1000	980 - 1000	1145	1290
Reach from base with legs spread to 700 mm (d)	420	420	225	225
Max. height (f)*	1635 - 1785	1650 - 1800	1650 - 1800	1650 - 1800
Lifting range (g)*	505 - 675	505 - 675	505 - 675	505 - 675
Min. height at Sling Hook-up (h <sub>min</sub> )*	945 - 970	960 - 985	960 - 985	960 - 985
Max. height at Sling Hook-up (h <sub>max</sub> )*	1475 - 1620	1490 - 1635	1490 - 1635	1490 - 1635
Total width (legs open), external measure (i)	865	885	1110	1170
Total width (legs open) internal measure (j)	755	735	960	1020

Dimensions [mm]	ISA™ COMPACT		ISA™ STANDARD	ISA™ PLUS	ISA™ XPLUS
Total width (legs closed), external measure (r)	515	535	635	640	640
Min. internal width (s)	380	380	495	495	495
Internal width at maximum reach (k)*	640 - 725	640 - 725	775 - 870	775 - 870	775 - 870
Turning diameter	1060	1060	1260	1400	1430
Height to upper edge of legs (m)	100	115	115	115	115
Min. free height (p)	20	35	35	35	35

\* Range depending on fully shortened to fully extended position of lifting arm

Weights Main Parts [kg]	ISA™ COMPACT	ISA™ STANDARD	ISA™ PLUS	ISA™ XPLUS
Total weight	43	48	49	52
Weight, mast, incl. battery,	19			20
Weight manual leg section	15	20	21	n/a
Weight electrical leg section	n/a	20	21	23
Leg support	5			
Foot plate (high, low and inclined)	4			

### 11.3 Electrical system


	ISA™ COMPACT	ISA™ STANDARD	ISA™ PLUS	ISA™ XPLUS
Voltage output	24 V DC			
Voltage supply	100 – 240 V AC, 50/60 Hz			
Maximum current input	280 mA (for CBJ Home) / 400 mA (for CBJ2)	280 mA (for CBJ Home) / 400 mA (for CBJ1 and CBJ2)	280 mA (for CBJ Home) / 400 mA (for CBJ1, CBJ2 and CBJ Care)	400 mA (for CBJ1 and CBJ care)
Protection class (entire device)	IPX4*			
Insulation class	Class II equipment			
Type B Applied Part	Applied part complying with the specified requirements for protection against electrical shock according to IEC60601-1.			
Sound level	45 – 50 dB(A)			
Working ability	82 full lifts (with battery between 100% – 50% of full capacity)			
Intermittent (periodic motor operation)	10%, max. 2 min / 18 min			
Battery specifications	2 x 12 V / 2.9 Ah			
Battery type	Lead acid (service free, sealed)			
Manual emergency lowering	Yes (at bottom of actuator)			
Electric emergency lowering / lifting	Yes / No (for CBJ2 and CBJ Home)	Yes / Yes (for CBJ1) Yes / No (for CBJ2 and CBJ Home)	Yes / Yes (for CBJ1 and CBJ Care) Yes / No (for CBJ2 and CBJ Home)	Yes / Yes (for CBJ1 and CBJ care)

\*IPX4 - The system is protected against water splashed from any direction.

### 11.4 Environmental conditions

	Storage and transportation	Operation
Temperature	-10 °C to +50 °C	+5 °C to +40 °C

Relative humidity	20% to 90% at 30 °C, not condensing
Atmospheric pressure	800 hPa to 1060 hPa

-  Allow the product to reach operation temperature before usage:
- Warming up from minimum storage temperature might take more than 30 minutes.
  - Cooling down from maximum storage temperature might take more than 5 minutes.

## 11.5 Materials

Component	Material
Base, legs, mast and boom	Steel, powder-coated
Boom connector, bolts and nuts	Steel, zinc-plated
Hand grips	TPE
Sling hooks	TPU
Leg support cushion	Selfskin PU
Foot plate cover	PVC, PU
Actuator housing, hand control, mast protector, castors and other plastic parts	Material according to marking (PA, PP, PE)
Leg band	PA, PES, PVC, PU

All components of the product are either corrosion resistant or corrosion protected.

## 11.6 Operating forces of controls

Control	Operating force
Buttons on control unit	4 N
Buttons on hand control	4 N
Foot pedal on ISA™ COMPACT with 100 mm castors*	270 N
Leg spreader lever on ISA™ COMPACT	64 N
Leg spreader lever on ISA™ STANDARD	70 N
Leg spreader lever on ISA™ PLUS	85 N

\* For all other models and castor sizes, a lever for the manual leg spreader is mandatory.

## 12 Electromagnetic compatibility (EMC)

### 12.1 General EMC information

Medical Electrical Equipment needs to be installed and used according to the EMC information in this manual.

This product has been tested and found to comply with EMC limits specified by IEC/EN 60601-1-2 for Class B equipment.

Portable and mobile RF communications equipment can affect the operation of this product.

Other devices may experience interference from even the low levels of electromagnetic emissions permitted by the above standard. To determine if the emission from this product is causing the interference, run and stop running this product. If the interference with the other device operation stops, then this product is causing the interference. In such rare cases, interference may be reduced or corrected by the following:

- Reposition, relocate, or increase the separation between the devices.

### 12.2 Electromagnetic emission

#### Guidance and manufacturer's declaration

This product is intended for use in the electromagnetic environment specified below. The customer or the user of this product should assure that it is used in such an environment.


Emissions test	Compliance	Electromagnetic environment - guidance
RF emissions CISPR 11	Group I	This product uses RF energy only for its internal function. Therefore, its RF emissions are very low and are not likely to cause any interference in nearby electronic equipment.
RF emissions CISPR 11	Class B	This product is suitable for use in all establishments including domestic establishments and those directly connected to the public low-voltage power supply network that supplies buildings used for domestic purposes.
Harmonic emissions IEC 61000-3-2	Class A	
Voltage fluctuations /flicker emissions IEC 61000-3-3	Complies	


### 12.3 Electromagnetic Immunity

#### Guidance and manufacturer's declaration

This product is intended for use in the electromagnetic environment specified below. The customer or the user of this product should assure that it is used in such an environment.

Immunity test	Test / Compliance level	Electromagnetic environment – guidance
Electrostatic discharge (ESD) IEC 61000-4-2	± 8 kV contact ± 2 kV, ± 4 kV, ± 8 kV, ± 15 kV air	Floors should be wood, concrete or ceramic tile. If floors are covered with synthetic material, the relative humidity should be at least 30 %.
Electrostatic transient / burst IEC 61000-4-4	± 2 kV for power supply lines; 100 kHz repetition frequency ± 1 kV for input / output lines; 100 kHz repetition frequency	Mains power quality should be that of a typical commercial or hospital environment.
Surge IEC 61000-4-5	± 1 kV line to line ± 2 kV line to earth	Mains power quality should be that of a typical commercial or hospital environment.

Immunity test	Test / Compliance level	Electromagnetic environment – guidance
Voltage dips, short interruptions and voltage variations on power supply input lines IEC 61000-4-11	< 0% $U_T$ for 0,5 cycle at 45° steps 0% $U_T$ for 1 cycles 70% $U_T$ for 25 / 30 cycles < 5% $U_T$ for 250 / 300 cycles	Mains power quality should be that of a typical commercial or hospital environment. If the user of this product requires continued operation during power mains interruptions, it is recommended that the product is powered from an un-interruptible power supply or a battery.  $U_T$ is the a. c. mains voltage prior to application of the test level.
Power frequency (50/60 Hz) magnetic field IEC 61000-4-8	30 A/m	Power frequency magnetic fields should be at levels characteristic of a typical location in a typical commercial or hospital environment.
Conducted RF IEC 61000-4-6	3 V 150 kHz to 80 Mhz  6 V in ISM & amateur radio bands	Field strengths from fixed transmitters, such as base stations for radio (cellular/cordless) telephones and land mobile radios, amateur radio, AM and FM radio broadcast and TV broadcast cannot be predicted theoretically with accuracy. To assess the electromagnetic environment due to fixed RF transmitters, an electromagnetic site survey should be considered. If the measured field strength in the location in which this product is used exceeds the applicable RF compliance level above, this product should be observed to verify normal operation. If abnormal performance is observed, additional measures may be necessary, such as reorienting or relocating this product.  Interference may occur in the vicinity of equipment marked with the following symbol: 
Radiated RF IEC 61000-4-3	10 V/m 80 Mhz to 2,7 GHz  385 MHz - 5785 MHz test specifications for immunity to RF wireless communication equipment refer to table 9 of IEC 60601-1-2:2014	Portable and mobile RF communications equipment should be used no closer than 30 cm to any part of this product including cables.

 These guidelines may not apply in all situations. Electromagnetic propagation is affected by absorption and reflection from structures, objects and people.





# Inhaltsverzeichnis

Diese Gebrauchsanweisung MUSS dem Benutzer des Produkts ausgehändigt werden. VOR der Verwendung dieses Produkts MUSS die Gebrauchsanweisung gelesen werden. Bewahren Sie sie auf, um später darin nachschlagen zu können.

<b>1 Allgemein</b>	<b>34</b>
1.1 Einleitung	34
1.1.1 Symbole in diesem Dokument	34
1.2 Nutzungsdauer	34
1.2.1 Zusatzinformation	34
1.3 Beschränkung der Haftung	34
1.4 Garantieinformationen	34
1.5 Konformität	34
1.5.1 Produktspezifische Normen	34
<b>2 Sicherheit</b>	<b>35</b>
2.1 Allgemeine Sicherheitsinformationen	35
2.1.1 Einklemmgefahr	36
2.2 Sicherheitsinformationen zum Zubehör	36
2.3 Sicherheitshinweise zur elektromagnetischen Verträglichkeit	36
2.3.1 Akkulademodus	37
2.4 Etiketten und Symbole auf dem Produkt	37
2.4.1 Anbringungsort der Etiketten	37
2.4.2 Typenschild	37
2.4.3 Sonstige Symbole	37
<b>3 Produktübersicht</b>	<b>39</b>
3.1 Verwendungszweck	39
3.2 Hauptkomponenten des Lifters	39
3.3 Zubehör	40
<b>4 Inbetriebnahme</b>	<b>41</b>
4.1 Allgemeine Sicherheitsinformationen	41
4.2 Lieferumfang	41
4.3 Montieren des Masts auf der Basis	41
4.4 Montieren der Fußplatte	42
4.5 Anbringen des Wadenbands	42
4.6 Montieren der Unterschenkelstütze	42
4.7 Montage des Hebels für manuelle Fahrgestellsperrung	43
4.8 Zurücksetzen der Serviceanzeige	43
<b>5 Verwenden</b>	<b>44</b>
5.1 Allgemeine Sicherheitsinformationen	44
5.2 Verriegeln und Entriegeln der hinteren Rollen	44
5.3 Anheben/Absenken eines elektrischen Lifters	44
5.4 Schließen und Öffnen der Fußschienen	44
5.4.1 Schließen und Öffnen der elektrischen Fußschienen	44
5.4.2 Manuelles Schließen und Öffnen der Fußschienen	44
5.5 Einstellen des Hebearms auf die Körpergröße des Patienten	45
5.6 Einstellen der Höhe der Unterschenkelstütze	45
5.7 Anwendung des Wadenbands	45
5.8 Notfallfunktionen	46
5.8.1 Durchführen eines Notaus	46
5.8.2 Aktivieren einer Notabsenkung (Steuerungseinheit CBJ Home)	46
5.8.3 Aktivieren einer Notabsenkung (Steuerungseinheit CBJ Care, CBJ1, CBJ2)	46
5.8.4 Aktivieren einer Notanhebung (Steuerungseinheit CBJ Care, CBJ1)	46
5.8.5 Auslösen einer mechanischen Notabsenkung	46
5.9 Aufladen des Akkus	47
5.9.1 CBJ Home-Steuerungseinheit	47
5.9.2 CBJ Care-, CBJ1-, CBJ2-Steuerungseinheit	47
5.9.3 Optionales Akkuladegerät	48
<b>6 Patiententransfer</b>	<b>50</b>
6.1 Allgemeine Sicherheitsinformationen	50
6.2 Anbringen des Patientengurts am Lifter	51
6.3 Transfer von Patienten	52
<b>7 Transport und Lagerung</b>	<b>54</b>
7.1 Allgemeine Informationen	54
7.2 Zerlegen des Patientenlifters	54
<b>8 Instandhaltung</b>	<b>55</b>
8.1 Allgemeine Hinweise zur Instandhaltung	55
8.2 Tägliche Überprüfungen	55
8.3 Reinigung und Desinfektion	55
8.3.1 Allgemeine Sicherheitsinformationen	55
8.3.2 Reinigungsintervalle	55
8.3.3 Reinigungsanleitung	56
8.3.4 Desinfektionsanleitung	56
8.4 Wartungsintervall	56
<b>9 Nach dem Gebrauch</b>	<b>57</b>
9.1 Entsorgung	57
9.2 Wiederaufbereitung	57
<b>10 Problembehandlung</b>	<b>58</b>
10.1 Erkennen von Mängeln und mögliche Lösungen	58
<b>11 Technische Daten</b>	<b>60</b>
11.1 Maximale Tragfähigkeit	60
11.2 Abmessungen und Gewichte	60
11.3 Elektrisches System	61
11.4 Umgebungsbedingungen	62
11.5 Materialien	62
11.6 Betätigungskräfte der Bedienelemente	62
<b>12 Elektromagnetische Verträglichkeit (EMV)</b>	<b>63</b>
12.1 Allgemeine Informationen zu Elektromagnetischer Verträglichkeit (EMV)	63
12.2 Elektromagnetische Emissionen	63
12.3 Elektromagnetische Störfestigkeit	63

# 1 Allgemein

## 1.1 Einleitung

Diese Gebrauchsanweisung enthält wichtige Informationen zur Handhabung des Produkts. Lesen Sie die Gebrauchsanweisung sorgfältig durch und befolgen Sie die Sicherheitsanweisungen, damit eine sichere Verwendung des Produkts gewährleistet ist.

Beachten Sie, dass dieses Dokument Abschnitte enthalten kann, die für Ihr Produkt nicht von Bedeutung sind, da dieses Dokument sämtliche zum Zeitpunkt der Drucklegung verfügbaren Modelle abdeckt. Sofern nicht anders angegeben, bezieht sich jeder Abschnitt dieses Dokuments auf alle Modelle des Produkts.

In der landesspezifischen Preisliste sind alle in Ihrem Land verfügbaren Modelle und Konfigurationen aufgeführt.

Invacare behält sich das Recht vor, Produktspezifikationen ohne vorherige Ankündigung abzuändern.

Vergewissern Sie sich vor dem Lesen dieses Dokuments, dass Sie die aktuelle Fassung haben. Die jeweils aktuelle Fassung können Sie als PDF-Datei von der Invacare-Webseite herunterladen.

Wenn die gedruckte Ausführung des Dokuments für Sie aufgrund der Schriftgröße schwer zu lesen ist, können Sie die entsprechende PDF-Version von der Invacare-Website herunterladen. Sie können das PDF-Dokument dann auf dem Bildschirm so anzeigen, dass die Schriftgröße für Sie angenehmer ist.

Weitere Informationen zum Produkt, z. B. Informationen zu Produktsicherheitshinweisen oder zu einem Produktrückruf, erhalten Sie von Ihrem Invacare-Vertreter. Die entsprechenden Adressen finden Sie am Ende dieses Dokuments.

Bei einem ernsthaften Vorfall mit dem Produkt informieren Sie bitte den Hersteller und die zuständige Behörde in Ihrem Land.

### 1.1.1 Symbole in diesem Dokument

In diesem Dokument werden Symbole und Signalwörter verwendet, um auf Gefahren oder unsichere Praktiken hinzuweisen, die zu Verletzungen oder Sachschaden führen können. Die Definitionen der verwendeten Signalwörter finden Sie in der nachfolgenden Tabelle.



#### WARNUNG

Weist auf eine gefährliche Situation hin, die bei Nichtbeachtung zu schweren Verletzungen oder zum Tod führen kann.



#### VORSICHT

Weist auf eine gefährliche Situation hin, die bei Nichtbeachtung zu leichten Verletzungen führen kann.



#### WICHTIG

Weist auf eine gefährliche Situation hin, die bei Nichtbeachtung der Hinweise zu Sachschäden führen kann.



#### Tipps und Empfehlungen

Enthalten nützliche Tipps, Empfehlungen und Anleitungen für eine effiziente und problemlose Verwendung.

## 1.2 Nutzungsdauer

Die Nutzungsdauer dieses Produkts beträgt acht Jahre, vorausgesetzt, es wird täglich und in Übereinstimmung mit den in dieser Gebrauchsanweisung aufgeführten Sicherheitshinweisen, Wartungsintervallen und korrekten Verfahrensweisen verwendet. Die tatsächliche Nutzungsdauer kann abhängig von Häufigkeit und Intensität der Verwendung variieren.

### 1.2.1 Zusatzinformation

Die erwartete Nutzungsdauer basiert auf einem durchschnittlicher Schätzwert von vier Hebezyklen pro Tag.

## 1.3 Beschränkung der Haftung

Invacare übernimmt keine Haftung für Schäden aufgrund von:

- Nichteinhaltung der Gebrauchsanweisung
- falscher Verwendung
- normalem Verschleiß
- falscher Montage oder Einrichtung durch den Käufer oder einen Dritten
- technischen Änderungen
- unbefugten Änderungen bzw. Einsatz nicht geeigneter Ersatzteile

## 1.4 Garantieinformationen

Wir gewähren für das Produkt eine Herstellergarantie gemäß unseren Allgemeinen Geschäftsbedingungen für das entsprechende Land.

Garantieansprüche können nur über den Händler geltend gemacht werden, von dem das Produkt bezogen wurde.

## 1.5 Konformität

Qualität ist für das Unternehmen entscheidend. Alle Abläufe sind nach den Anforderungen von ISO 13485 ausgerichtet.

Dieses Produkt ist mit dem CE-Kennzeichen versehen und erfüllt die europäische Verordnung 2017/745 über Medizinprodukte der Klasse 1. Das Markteinführungsdatum des Produkts ist in der CE-Konformitätserklärung aufgeführt.

Wir setzen uns kontinuierlich dafür ein, die Umwelt durch unsere Unternehmenstätigkeit sowohl direkt vor Ort als auch weltweit möglichst wenig zu beeinträchtigen.

Wir verwenden ausschließlich REACH-konforme Materialien und Bauteile.

Die aktuellen Umweltschutzbestimmungen WEEE (Richtlinie über Elektro- und Elektronik-Altgeräte) und RoHS (Richtlinie zur Beschränkung der Verwendung bestimmter gefährlicher Stoffe in Elektro- und Elektronikgeräten) werden von uns eingehalten.

### 1.5.1 Produktspezifische Normen

Dieses Produkt wurde getestet und entspricht der Norm ISO 10535 (Lifter zum Transport von behinderten Menschen) und allen einschlägigen Normen.

Weitere Informationen zu lokalen Normen und Vorschriften erhalten Sie bei Ihrem Invacare-Vertreter vor Ort. Die entsprechenden Internetadressen finden Sie am Ende dieses Dokuments.

## 2 Sicherheit

### 2.1 Allgemeine Sicherheitsinformationen

Dieser Abschnitt des Handbuchs enthält allgemeine Sicherheitsinformationen zu Ihrem Produkt. Spezifische Sicherheitsinformationen finden Sie in dem entsprechenden Abschnitt des Handbuchs und in den in diesem Abschnitt beschriebenen Verfahren.



#### **WARNUNG!**

##### **Gefahr von Verletzungen oder Sachschäden**

- Verwenden Sie dieses Produkt und möglicherweise vorhandenes optionales Zubehör erst, nachdem Sie diese Anweisungen sowie eventuelle zusätzliche Anweisungen – wie zum Produkt oder möglicherweise vorhandenem optionalem Zubehör gehörende Gebrauchsanweisungen oder Merkblätter – vollständig gelesen und verstanden haben. Falls Ihnen die Warnungen, Sicherheitshinweise und Anweisungen unverständlich sind, wenden Sie sich an einen Arzt, einen Invacare-Anbieter oder einen qualifizierten Techniker, bevor Sie das Produkt verwenden.
- Keine unbefugten Veränderungen am Produkt vornehmen.



#### **WARNUNG!**

##### **Die maximale Tragfähigkeit darf nicht überschritten werden**

- Die maximale Tragfähigkeit dieses Produkts oder des verwendeten Zubehörs, wie Patientengurte, Spreizbügel usw., darf nicht überschritten werden. Angaben zur maximalen Tragfähigkeit finden sich in der Dokumentation oder auf der Kennzeichnung am Produkt.
- Die Komponente mit der niedrigsten Tragfähigkeit bestimmt die maximale Tragfähigkeit des gesamten Systems.



#### **WARNUNG!**

##### **Gefahr von Verletzungen oder Sachschäden**

Die unsachgemäße Verwendung dieses Produkts kann zu Verletzungen oder Sachschäden führen.

- Versuchen Sie nicht, ohne Zustimmung des für den Patienten zuständigen Pflegepersonals einen Transfer durchzuführen.
- Lesen Sie die Anweisungen in dieser Gebrauchsanweisung durch und sehen Sie geschulten Fachkräften beim Transfer von Patienten zu. Üben Sie anschließend die Durchführung von Transfers unter Aufsicht, wobei eine gesunde Person den Patienten darstellt.
- Patienten, die mit dem Aufstehlfifer transferiert und positioniert werden, MÜSSEN kooperativ und bei Bewusstsein sein und Kontrolle über Kopf und Nacken haben. Andernfalls kann es möglicherweise zu Verletzungen kommen.
- Patienten, die nur mithilfe des Gurts mit Rückenstütze umgelagert und positioniert werden, MÜSSEN in der Lage sein, einen Großteil ihres eigenen Gewichts zu tragen. Andernfalls kann es zu Verletzungen oder Sachschäden kommen. Weitere Informationen

finden Sie in der Gebrauchsanweisung des Patientengurts.

- Verwenden Sie den Patientenlifter nicht als Transportgerät. Er dient zum Transfer einer Person von einer Sitzfläche auf eine andere.



#### **WARNUNG!**

##### **Gefahr von Verletzungen oder Sachschäden**

- Unsachgemäßer Umgang mit Kabeln, falsche Verkabelung und die Verwendung nicht zugelassener Geräte kann zu Stromschlag und Produktdefekten führen.
- Knicken, zerschneiden oder beschädigen Sie die Kabel des Produkts nicht in irgendeiner Art und Weise.
  - Stellen Sie sicher, dass bei Verwendung des Produkts keine Kabel eingeklemmt oder beschädigt werden.
  - Sorgen Sie für eine richtige und ordnungsgemäße Verkabelung.
  - Verwenden Sie keine nicht zugelassenen Geräte.



#### **WARNUNG!**

##### **Gefahr von Verletzungen oder Sachschäden**

- Übermäßige Feuchtigkeit kann das Produkt beschädigen und zu einem Stromschlag führen.
- Der Patientenlifter kann in Bade- und Duschbereichen verwendet werden, eignet sich jedoch NICHT für die Verwendung direkt unter der Dusche. Der Patient muss zum Duschen auf einen Duschstuhl oder eine andere Vorrichtung umgesetzt werden.
  - Wenn der Patientenlifter in einer Umgebung mit hoher Luftfeuchtigkeit verwendet wird, muss er unbedingt nach jeder Verwendung trockengewischt werden.
  - Stecken Sie das Netzkabel in einer Umgebung mit hoher Luftfeuchtigkeit oder mit nassen Händen nicht ein oder aus.
  - Bewahren Sie das Produkt nicht in einem feuchten Raum oder unter feuchten Bedingungen auf.
  - Überprüfen Sie alle Komponenten des Produkts in regelmäßigen Abständen auf Korrosionsanzeichen oder Schäden. Ersetzen Sie Teile, die korrodiert oder beschädigt sind.
  - Siehe *11.4 Umgebungsbedingungen, Seite 62*.



#### **WARNUNG!**

##### **Gefahr von Verletzungen oder Sachschäden**

- Zündquellen können zu Verbrennungen oder Feuer führen.
- Beim Transfer eines Patienten muss ein ausreichend großer Sicherheitsabstand zwischen dem Lifter und möglichen Zündquellen (Heizung, Ofen, Kamin usw.) bestehen.
  - Weder Patient noch Begleitpersonen dürfen während des Transfers rauchen.
  - Der Gurt darf nicht über Zündquellen (Heizung, Herd, Ofen) gelegt werden.



#### **WARNUNG!**

##### **Gefahr von Verletzungen oder Sachschäden**

So verhindern Sie Verletzungen oder Schäden bei Verwendung des Produkts:

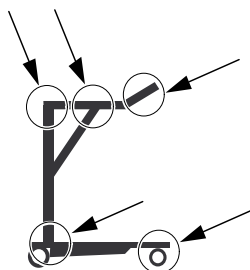
- Strenge Aufsicht ist erforderlich, wenn das Produkt in der Nähe von Kindern und/oder Haustieren verwendet wird.
- Lassen Sie keine Kinder mit dem Produkt spielen.

**VORSICHT!****Gefahr von Verletzungen oder Sachschäden**

- Das Produkt kann sich aufheizen, wenn es Sonnenlicht oder anderen Wärmequellen ausgesetzt wird.
- Setzen Sie das Produkt nicht über längere Zeit direkter Sonneneinstrahlung aus.
  - Halten Sie das Produkt von Wärmequellen fern.

**WICHTIG!**

- Ansammlungen von Flusen, Staub und anderen Verschmutzungen können das Produkt beeinträchtigen.
- Halten Sie das Produkt sauber.

**2.1.1 Einklemmgefahr****WARNUNG!****Verletzungsgefahr**

- An mehreren Stellen des Lifters besteht die Gefahr, sich Körperteile einzuklemmen.
- Hände, Finger und Füße daher immer fern von beweglichen Teilen halten.

**2.2 Sicherheitsinformationen zum Zubehör****VORSICHT!****Verletzungsgefahr**

- Zubehör, das nicht in Original-Qualität vorliegt, oder falsches Zubehör kann die Funktion und Sicherheit dieses Produkts beeinträchtigen.
- Aufgrund regionaler Unterschiede ziehen Sie die Invacare-Website für Ihr Land oder den Invacare-Katalog zurate, um sich über erhältliches Zubehör zu informieren, oder wenden Sie sich an Ihren Invacare-Anbieter.
  - Im Handbuch, das im Lieferumfang der Zubehörteile enthalten ist, finden Sie weitere Informationen und Anweisungen.
  - Verwenden Sie für das verwendete Produkt ausschließlich Originalzubehör. Unter bestimmten Umständen können Patientengurte anderer Hersteller verwendet werden. Weitere Informationen finden Sie in diesem Abschnitt.
  - Vor der Ausgabe von Hebehilfen muss eine fachkundige Risikobewertung vorgenommen werden. Bei der Risikobewertung sind Aufgabe,

individuelle Person, Umgebung und Ausstattung zu berücksichtigen.

- Wählen Sie die Form und Größe des Gurts dem Gewicht, der Größe und der Körperbehinderung des jeweiligen Patienten entsprechend aus und berücksichtigen Sie die Art des Transfers, der ausgeführt werden soll.

**VORSICHT!****Kompatibilität der Patientengurte mit dem Befestigungssystem**

- Invacare verwendet ein übliches Befestigungssystem, das auf Haken und Schlaufen basiert. Die Gurtschlaufen werden an Haken am Patientenlifter befestigt. Daher können geeignete Patientengurte von anderen Herstellern mit diesem Patientenlifter verwendet werden.
- Verwenden Sie nur Gurte, die für den Aufstehlifter vorgesehen sind.
  - Verwenden Sie nur Gurte mit Schlaufen, die für Haken als Befestigungspunkte geeignet sind.
  - Verwenden Sie keine Patientengurte, die für Befestigungssysteme mit Clips bzw. Ösen oder für Systeme mit Neigerahmen vorgesehen sind.

**2.3 Sicherheitshinweise zur elektromagnetischen Verträglichkeit****WARNUNG!****Gefahr von Fehlfunktionen aufgrund elektromagnetischer Störungen**

- Elektromagnetische Störungen können zwischen diesem Produkt und anderen elektrischen Geräten auftreten und die elektrischen Einstellfunktionen dieses Produkts beeinträchtigen. Um solche elektromagnetischen Störungen zu verhindern, zu reduzieren oder zu beseitigen, sollten Sie:
- nur Originalkabel, -zubehör und -ersatzteile verwenden, um die elektromagnetischen Emissionen nicht zu erhöhen bzw. die elektromagnetische Störfestigkeit dieses Produkts zu verringern.
  - Verwenden Sie tragbare HF-Kommunikationsgeräte nur in einem Abstand von mindestens 30 cm zu einem beliebigen Teil dieses Produkts (einschließlich Kabel).
  - Verwenden Sie dieses Produkt nicht in der Nähe aktiver chirurgischer Hochfrequenzgeräte und eines von HF-Strahlungen abgeschirmten Raums eines Systems für Kernspintomografie mit hoher Intensität elektromagnetischer Störungen.
  - Falls Störungen auftreten, vergrößern Sie den Abstand zwischen diesem Produkt und dem anderen Gerät oder schalten Sie es aus.
  - Lesen Sie die ausführlichen Informationen und folgen Sie der Anleitung in Kapitel 12 *Elektromagnetische Verträglichkeit (EMV)*, Seite 63.

**WARNUNG!****Gefahr von Fehlfunktionen**

- Elektromagnetische Störungen können den Betrieb beeinträchtigen.
- Verwenden Sie dieses Produkt nicht unmittelbar neben oder mit anderen elektrischen Geräten gestapelt. Sofern eine solche Verwendung

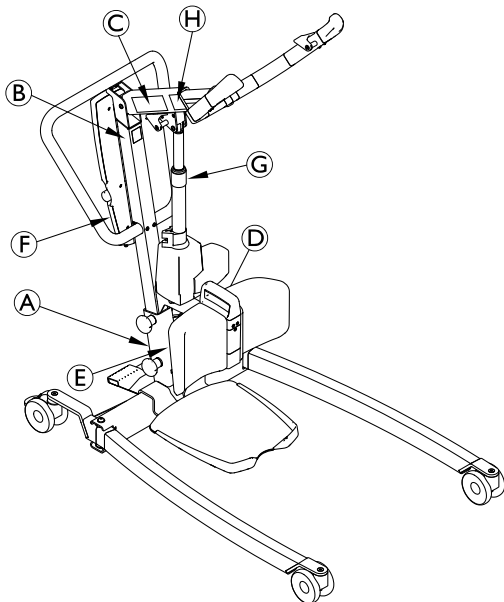
erforderlich ist, müssen das Produkt und andere Geräte sorgfältig beobachtet werden, um den ordnungsgemäßen Betrieb sicherzustellen.

### 2.3.1 Akkulademodus

**! WICHTIG!**  
 Wenn der Akku lädt, ist die Steuerungseinheit anfälliger für Schäden durch elektrostatische Entladung. Kommt es beim Laden des Akkus zu einer solchen Entladung, kann dies die Funktionsweise der Steuerungseinheit stören oder zu einem kompletten Funktionsverlust führen.  
 – Vermeiden Sie beim Laden des Akkus daher potenzielle Quellen elektrostatischer Entladungen.

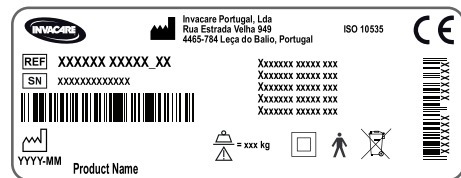
## 2.4 Etiketten und Symbole auf dem Produkt

### 2.4.1 Anbringungsort der Etiketten



Ⓐ	Typenschild
Ⓑ	Etikett „Gebrauchsanweisung lesen“
Ⓒ	Name und Tragfähigkeit des Patientenaufzugs, modellabhängig
Ⓓ	Etikett mit Angaben zu Umgebungsbedingungen und maximalem Gesamtgewicht
Ⓔ	Tragfähigkeit des Patientenaufzugs, modellabhängig
Ⓕ	Garantieverlust-Etikett, nicht bei allen Modellen vorhanden
Ⓖ	Warnetikett
Ⓗ	Etikett zur Hebearmeinstellung

### 2.4.2 Typenschild



Das Typenschild enthält die wesentlichen Produktinformationen, einschließlich der technischen Daten.

#### Symbole

	Seriennummer
	Referenznummer
	Adresse des Herstellers
	Herstellungsdatum
	Max. Tragfähigkeit
	Betriebsmittel der SCHUTZKLASSE II
	Anwendungsteil vom Typ B
	WEEE-konform
	CE-Kennzeichnung

Abkürzungen für technische Daten:


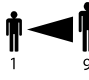
- lin = Eingangsstrom
- U<sub>in</sub> = Eingangsspannung
- Int. = Aussetzbetrieb
- AC = Wechselstrom
- Max = maximal
- min = Minute

Weitere technische Daten finden Sie unter *11 Technische Daten, Seite 60*.

### 2.4.3 Sonstige Symbole

	Siehe Gebrauchsanweisung.
	Gesamtgewicht des Produkts bei Belastung unter Ausnutzung der maximalen Tragfähigkeit
	Den Verstellmotor nicht als Schiebegriff verwenden.
	Nicht entfernen. Bei Entfernung oder Beschädigung dieses Etiketts erlischt die Garantie.
	Temperaturbereich

	Luftfeuchtigkeitsbereich
	Luftdruckbereich
	Transport- und Lagerbedingungen

	Betriebsbedingungen
	Hebearmeinstellung in Relation zur Körpergröße des Patienten

## 3 Produktübersicht

### 3.1 Verwendungszweck

Der Aufstehlifter ist eine akkubetriebene Transfervorrichtung und dient dazu, eine Person von einer Sitzfläche auf eine andere umzusetzen und zu positionieren. Beispiel:

- Transfer von Patienten zwischen Bett und Rollstuhl
- von und zur Toilette
- Rehabilitation, Unterstützung von Patienten beim Aufstehen aus sitzender Position

Die maximale sichere Tragfähigkeit ist in *11 Technische Daten, Seite 60* angegeben.

Der Aufstehlifter ist für die Verwendung in Innenbereichen auf ebenem Untergrund, in Krankenhäusern, Pflegeeinrichtungen und im häuslichen Umfeld vorgesehen. Der Aufstehlifter kann auf der Stelle gedreht (rotiert) werden, um Transfers auch bei beengten Platzverhältnissen durchzuführen.

Qualifiziertes Pflegepersonal oder entsprechend geschulte Privatpersonen sind für die Bedienung dieses Produkts vorgesehen.

### Indikationen

Der Aufstehlifter dient zur Umlagerung und Positionierung teilweise bewegungsunfähiger und schwergewichtiger Patienten.

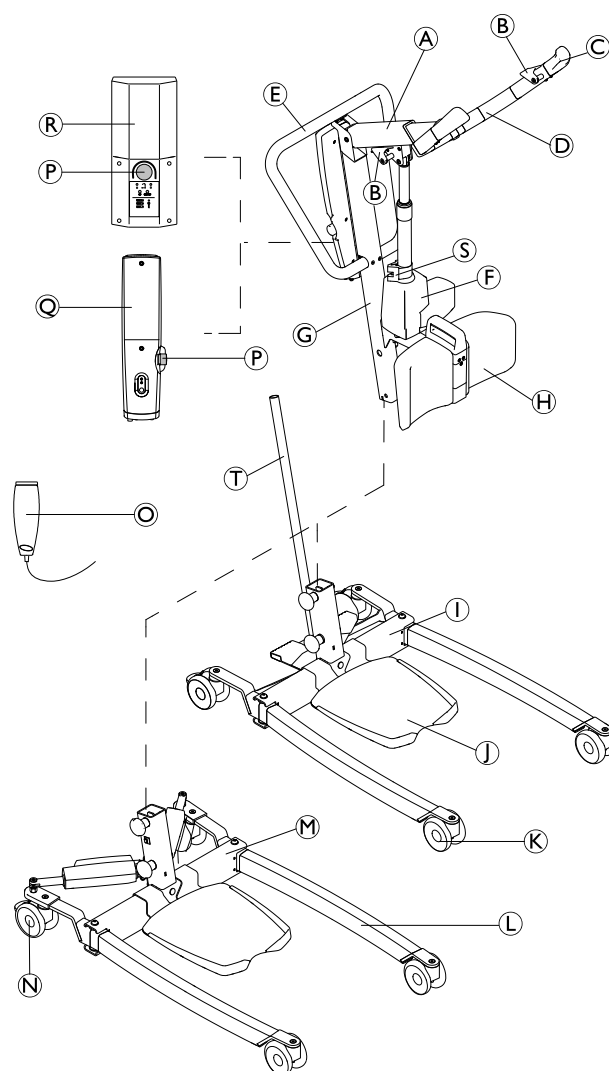
### Gegenanzeigen

Der Aufstehlifter ist nicht geeignet für Patienten, die:

- nicht kooperieren
- keine Anweisungen befolgen können
- keine Kontrolle über Kopf und Nacken haben
- deren Rumpf nicht ausreichend stabil ist

Einige für den Aufstehlifter entworfene Gurte sind bei Patienten, die den Großteil ihres eigenen Körpergewichts nicht selbst tragen können, nicht geeignet. Weitere Informationen finden Sie in der Bedienungsanleitung des Patientengurts.

### 3.2 Hauptkomponenten des Lifters



(A)	Ausleger
(B)	Haken für Patientengurt
(C)	Handgriff
(D)	Hebearm
(E)	Schiebestange
(F)	Hubverstellmotor
(G)	Mast
(H)	Unterschenkelstütze (fest oder schwenkbar)
(I)	Basis mit Fußpedal für manuelle Fahrgestellspreizung
(J)	Fußplatte (hoch, niedrig oder geneigt)
(K)	Vordere Schwenkrollen
(L)	Fußschiene
(M)	Basis mit Verstellmotoren für elektrische Fahrgestellspreizung – mit oder ohne Verstellmotorabdeckung
(N)	Hintere Schwenkrollen mit Bremse
(O)	Handbedienteil
(P)	Notaus-Taste
(Q)	CBJ Home-Steuerungseinheit mit integriertem Akku

®	CBJ Care-, CBJ1- oder CBJ2-Steuerungseinheit mit abnehmbarem Akku
Ⓢ	Mechanische Notabsenkung
Ⓣ	Hebel für manuelle Fahrgestellspreizung

### 3.3 Zubehör



Aufgrund regionaler Unterschiede ziehen Sie die Invacare-Website für Ihr Land oder den Invacare-Katalog zurate, um Informationen über erhältlichliches Zubehör zu erhalten, oder wenden Sie sich an Ihren Invacare-Anbieter.

- Hebel für manuelle Fahrgestellspreizung
- Schutzbezüge für Fußschienen
- Wadenband
- Wandladegerät für einen abnehmbaren Akku
- Zusatzakku
- Zusätzliche Fußplatte (hoch, niedrig und geneigt)

Patientengurtmodelle mit Schlaufen zum Anbringen von Haken:

- Invacare® Gurt für Aufstehhilfe (Europa)/Invacare® Standup-Gurt (Asien-Pazifik): nur 2-Punkt-Befestigung mit Rückenstütze
- Invacare® Transfergurt für Aufstehhilfe: 4-Punkt-Befestigung mit Rücken- und Oberschenkelstütze



## 4 Inbetriebnahme

### 4.1 Allgemeine Sicherheitsinformationen


**WARNUNG!**

- Überprüfen Sie alle Teile vor ihrer Verwendung auf Transportschäden.
- Bei Beschädigungen darf die Vorrichtung nicht verwendet werden. Wenden Sie sich an Ihren zuständigen Invacare-Anbieter, um Informationen zur weiteren Vorgehensweise zu erhalten.

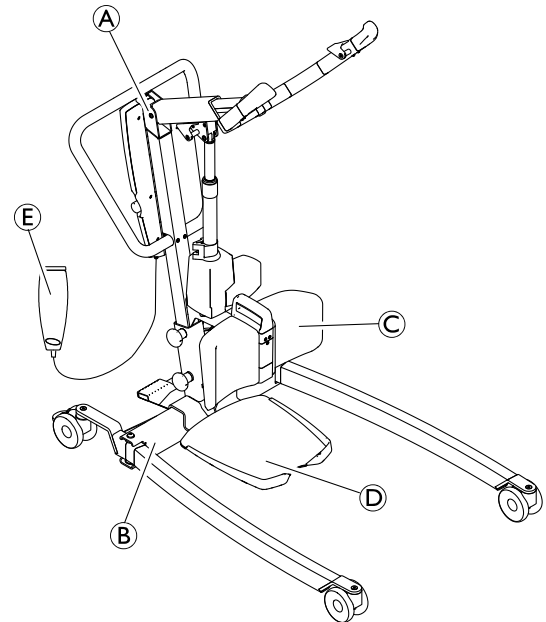

**WARNUNG!**
**Verletzungsgefahr**

- Eine unsachgemäße Montage kann zu Verletzungen oder Schäden führen.
- Für die Montage dieses Patientenlifters dürfen Sie nur Originalteile von Invacare verwenden.
  - Stellen Sie nach jeder Montage sicher, dass alle Befestigungen einwandfrei festgezogen sind und alle Teile fehlerlos funktionieren.
  - Ziehen Sie Schrauben und andere Befestigungsteile nicht zu fest an. Die Montagehalterung kann dadurch beschädigt werden.



Für die Montage des Patientenlifters sind keine Werkzeuge erforderlich.

Kontaktieren Sie Ihren zuständigen Invacare-Anbieter, falls Sie Fragen oder Probleme bei der Montage haben.



Ⓐ	Mast/Auslegereinheit (1 Stück) inkl. Steuerungseinheit und Verstellmotor
Ⓑ	Basis mit oder ohne Verstellmotoren (1 Stück)
Ⓒ	Unterschenkelstütze
Ⓓ	Fußplatte
Ⓔ	Handbedienteil (1 Stück)
	Netzkabel (1 Stück)
	Gebrauchsanweisung (1 Stück)
	Akku (1 oder 2 Stücke)*, nur CBJ Care, CBJ1 und CBJ2
	Hebel für manuelle Fahrgestellspreizung (1 Stück)*
	Wadenband (1 Stück)*
	Gurt (1 Stück)*

\* Abhängig von Model und/oder Konfiguration



Wenn der Lifter mit einem Patientengurt geliefert wird, finden Sie in der Gebrauchsanweisung für den Patientengurt Hinweise zur Verwendung, zum Einsatz, zur Instandhaltung sowie zur Reinigung.

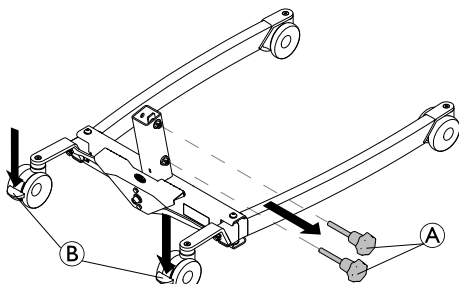
### 4.3 Montieren des Masts auf der Basis


**WARNUNG!**
**Gefahr von Verletzungen oder Sachschäden**

Die auf dem Ausleger und der Basis angegebene maximale Tragfähigkeit muss identisch sein.

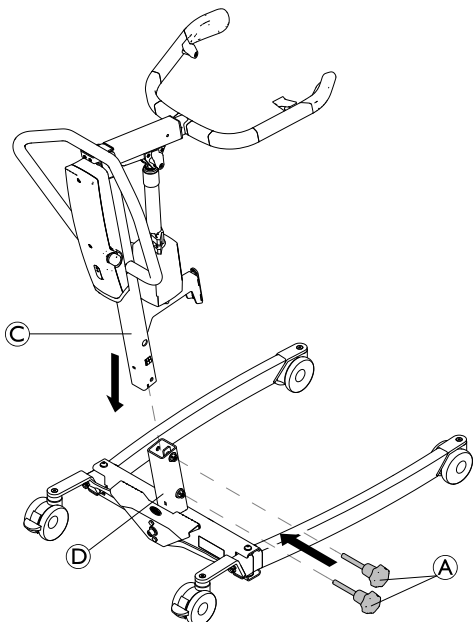
- Vergleichen Sie die Angaben immer.

1.



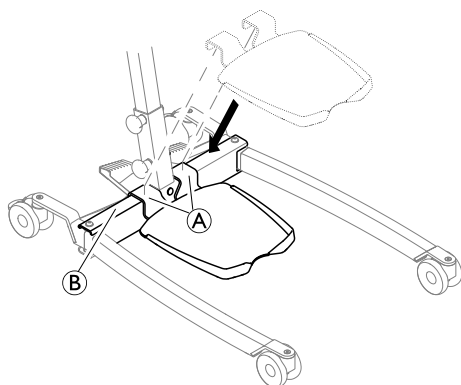
Verriegeln Sie die beiden hinteren Schwenkrollen **B** und drehen Sie die Handschrauben entgegen dem Uhrzeigersinn **A**, um sie aus der Basis zu entfernen.

2.



Schieben Sie den Mast **C** nach unten in die Halterung der Basis **D**, wobei der Ausleger nach vorne weist. Bringen Sie dann die Handschrauben **A** wieder an, um den Mast **C** an der Basis zu befestigen.

#### 4.4 Montieren der Fußplatte



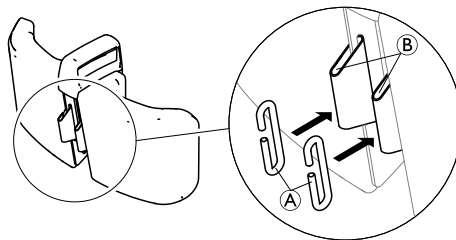
1. Legen Sie die Fußplatte auf die Basis am Fahrgestell, sodass die Halterungen **A** auf dem Rohr **B** aufliegen.

#### 4.5 Anbringen des Wadenbands

(optional)

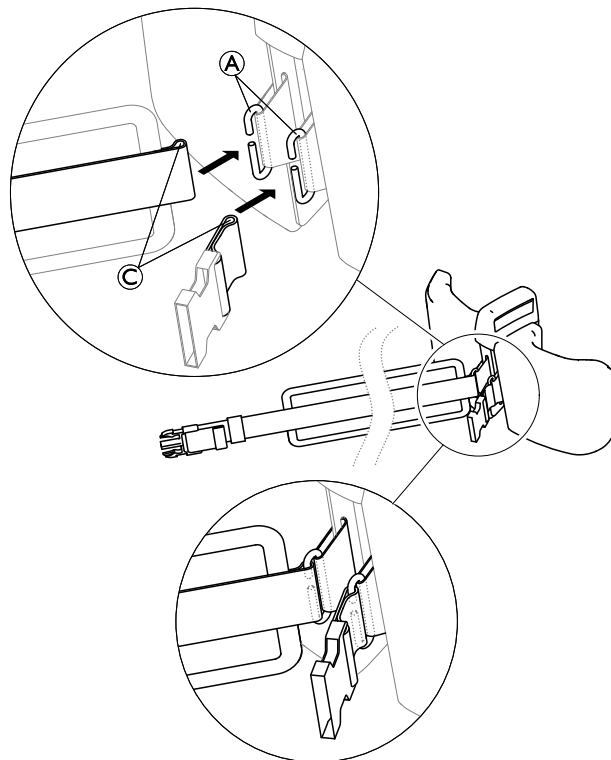
Die beiden Enden des Wadenbands werden an der Rückseite der Unterschenkelstütze angebracht.

1.



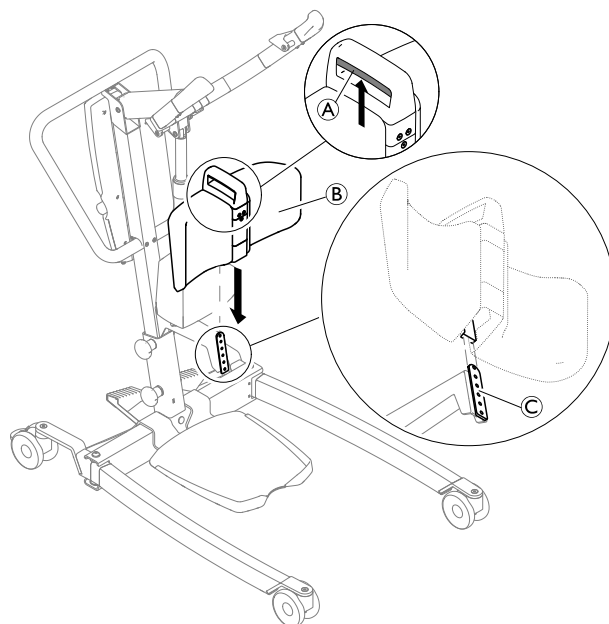
Fädeln Sie die beiden Haken **A** in die Schlaufen **B** an der Rückseite der Unterschenkelstütze.

2.




Fädeln Sie dann die Gurtenden **A** in die Haken **B** an der Rückseite der Unterschenkelstütze.

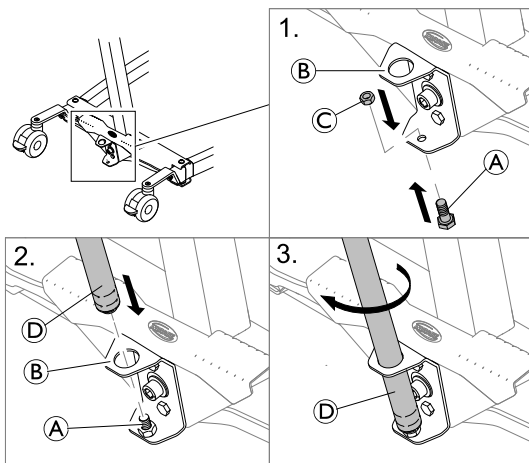
#### 4.6 Montieren der Unterschenkelstütze



1. Drücken und halten Sie den Hebel **A** an der Unterschenkelstütze **B** nach oben.
2. Schieben Sie die Führungsschiene an der Rückseite der Unterschenkelstütze **B** auf die Befestigungsplatte **C** am Mast.
3. Wenn sich die Unterschenkelstütze in der gewünschten Position befindet, lassen Sie den Hebel **A** los und bewegen Sie die Unterschenkelstütze **B** ein wenig nach unten oder oben, bis sie in einer der sechs möglichen Positionen hörbar einrastet.

## 4.7 Montage des Hebels für manuelle Fahrgestellspreizung

 2 x 13-mm-Schraubenschlüssel



1. Setzen Sie den Bolzen **A** von unten in das untere Loch der Halterung **B** ein und befestigen Sie ihn mit der Mutter **C**.
2. Stecken Sie das Hebelende mit dem Gewinde **D** durch das obere Loch der Halterung **B** auf die fixierte Schraube **C**.
3. Drehen Sie den Hebel **D** im Uhrzeigersinn auf dem Bolzen fest.

## 4.8 Zurücksetzen der Serviceanzeige

(nur Steuerungseinheit CBJ Care)



### WICHTIG!

Blinkt die Serviceanzeige während der täglichen Verwendung oder nach einer erneuten Montage gelb, muss der Liftler gewartet werden.  
– Wenden Sie sich bezüglich der Wartung an Ihren Invacare-Anbieter.

Nach der ersten Montage des Lifters blinkt die Serviceanzeige gelb und muss vor Verwendung des Lifters zurückgesetzt werden.

So wird die Serviceanzeige erstmalig zurückgesetzt:

1. Nehmen Sie das Handbedienteil zur Hand.
2. Halten Sie die AUFWÄRTS-Taste und die ABWÄRTS-Taste gleichzeitig fünf Sekunden lang gedrückt.
3. Wenn die Serviceanzeige zurückgesetzt wurde, ertönt ein akustisches Signal.

## 5 Verwenden

### 5.1 Allgemeine Sicherheitsinformationen



#### WARNUNG!

#### Gefahr von Verletzungen oder Sachschäden

Bevor Sie den Lifters mit einem Patienten verwenden, lesen Sie die folgenden Sicherheitshinweise und Anleitungen:

- 2 Sicherheit, Seite 35
- 6 Patiententransfer, Seite 50

### 5.2 Verriegeln und Entriegeln der hinteren Rollen

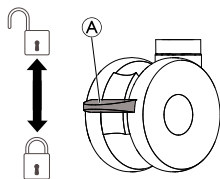


#### WARNUNG!

#### Verletzungsgefahr oder Gefahr von Sachschäden

Der Lifters könnte kippen und die Sicherheit des Patienten und der Helfer gefährden.

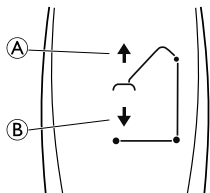
- Invacare empfiehlt, die hinteren Rollen während des Hebevorgangs nicht zu verriegeln, damit der Patientelifters sich selbst stabilisieren kann, wenn der Patient von einem Stuhl, einem Bett oder einem anderen stehenden Objekt angehoben wird.
- Invacare empfiehlt, die hinteren Rollen des Lifters nur zu verriegeln, wenn Sie den Patientengurt um den Patienten legen bzw. wieder entfernen.



- Drücken Sie das Pedal **A** mit dem Fuß herunter, um die Rolle zu verriegeln.
- Drücken Sie das Pedal **A** mit dem Fuß nach oben, um die Rolle zu entsperren.

### 5.3 Anheben/Absenken eines elektrischen Lifters

Die Handsteuerung dient zum Anheben oder Absenken des Lifters.



1. Anheben des Lifters: drücken und halten Sie die AUFWÄRTS-Taste **A**, um den Ausleger und den Patienten anzuheben.
2. Absenken des Lifters: Drücken und halten Sie die ABWÄRTS-Taste **B**, um den Ausleger und den Patienten anzuheben.



Lassen Sie die Taste los, um das Anheben oder Absenken des Lifters anzuhalten.

### 5.4 Schließen und Öffnen der Fußschienen



#### WARNUNG!

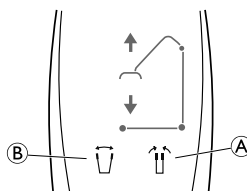
#### Verletzungsrisiko

Der Lifters könnte kippen und den Patienten und die Helfer in Gefahr bringen.

- Die Fußschienen des Patientelifters MÜSSEN maximal geöffnet sein, damit optimale Stabilität und Sicherheit gewährleistet sind. Falls es erforderlich ist, die Schenkel zu schließen, um den Patientelifters unter ein Bett zu schieben, lassen Sie die Fußschienen nur so lange geschlossen, bis Sie den Patientelifters korrekt über dem Patienten positioniert und den Patienten vom Bett hochgehoben haben. Sobald die Fußschienen des Patientelifters nicht mehr unter dem Bett sind, öffnen Sie die Fußschienen wieder maximal.

#### 5.4.1 Schließen und Öffnen der elektrischen Fußschienen

Die Handsteuerung dient zum Öffnen oder Schließen der Fußschienen an der Basis.

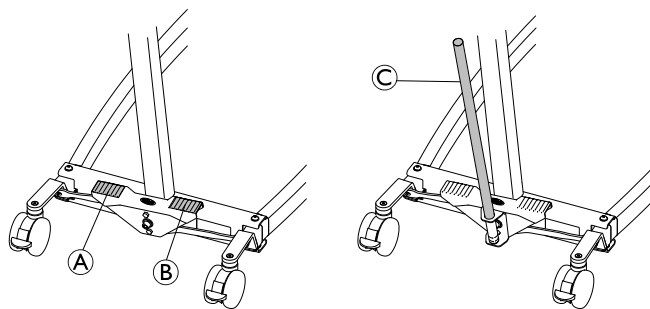


1. Zum Schließen der Fußschienen drücken und halten Sie die Taste **A**.
2. Zum Öffnen der Fußschienen drücken und halten Sie die Taste **B**.



Die Fußschienen bewegen sich nicht mehr, wenn Sie die Taste loslassen.

#### 5.4.2 Manuelles Schließen und Öffnen der Fußschienen



Die manuelle Fahrgestellspreizung wird mit zwei Fußpedalen (**A** und **B**) oder mit dem Hebel **C** betätigt.

1. Zum Öffnen der Fußschienen betätigen Sie das rechte Fußpedal **B**.
2. Zum Schließen der Fußschienen betätigen Sie das linke Fußpedal **A**.

Unter Verwendung des Hebels:

1. Zum Öffnen der Fußschienen ziehen Sie den Hebel **C** nach rechts.
2. Zum Schließen der Fußschienen drücken Sie den Hebel **C** nach links.

## 5.5 Einstellen des Hebearms auf die Körpergröße des Patienten



### VORSICHT!

#### Gefahr von Verletzungen oder Sachschäden

Bei falscher Positionierung des Auslegers kann der Hebearm beim Lösen plötzlich nach innen oder außen rutschen.

- Stellen Sie den Hebearm nur ein, wenn sich kein Patient im Lifter befindet und wenn der Ausleger in horizontaler Position ist.

Wichtigstes Einstellungskriterium ist die Körpergröße des Patienten. Es gelten aber auch andere Kriterien, wie die Länge der Gurtschlaufen, der Zustand des Patienten und seine Präferenzen.

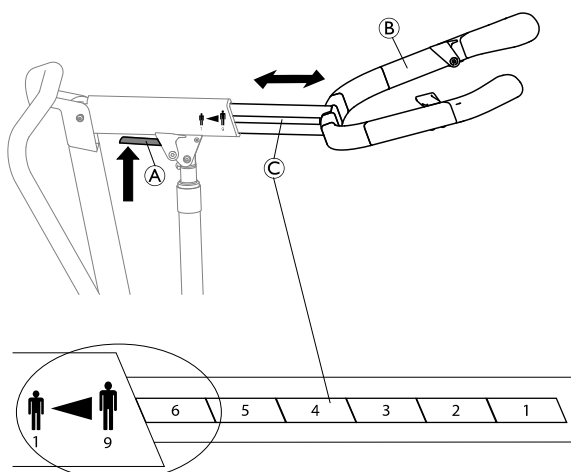
Die folgenden Richtwerte beruhen auf Durchschnittswerten. Abweichungen sind möglich.

- Position 1 (komplett eingefahren): Für Patienten ab einer Körpergröße von 140 cm.
- Position 5: Für Patienten ab einer Körpergröße von 170 cm.
- Position 9 (komplett ausgefahren): Für Patienten mit einer Körpergröße von bis zu 200 cm.



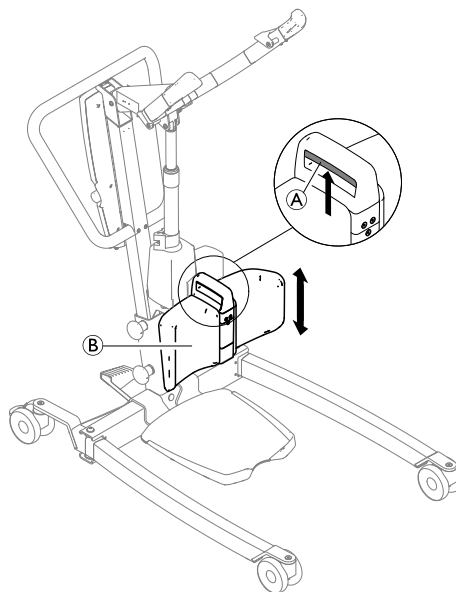
### WICHTIG

Aus Sicherheitsgründen muss die Einstellung für jeden Patienten neu und individuell festgelegt werden.



1. Drücken Sie den roten Hebel **A** am Ausleger nach oben und halten Sie ihn in dieser Stellung.
2. Stellen Sie den Hebearm **B** auf eine der auf der Skala **C** angegebenen neun möglichen Längen ein, indem Sie die Stange so weit herausziehen oder hineinschieben, bis die gewünschte Positionsnummer direkt neben dem Auslegerende steht.
3. Lassen Sie den Hebel **A** los und bewegen Sie den Hebearm **B** ein wenig nach hinten und vorne, bis er hörbar einrastet.

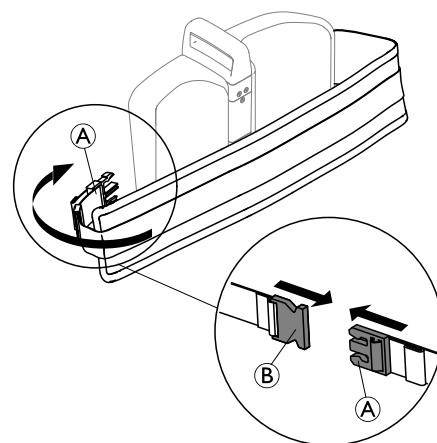
## 5.6 Einstellen der Höhe der Unterschenkelstütze



1. Drücken Sie den Hebel **A** an der Unterschenkelstütze **B** nach oben und halten Sie ihn in dieser Stellung.
2. Schieben Sie die Unterschenkelstütze **B** nach oben oder unten.
3. Wenn sich die Unterschenkelstütze in der gewünschten Position befindet, lassen Sie den Hebel **A** los und bewegen Sie die Unterschenkelstütze **B** ein wenig nach unten oder oben, bis sie in einer der sechs möglichen Positionen hörbar einrastet.

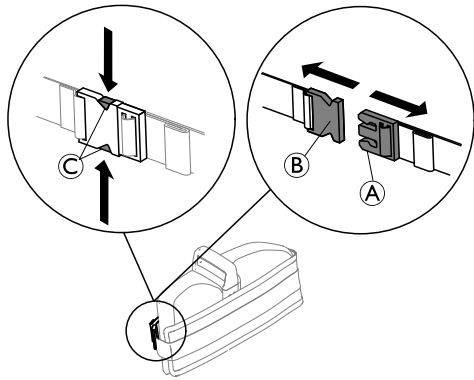
## 5.7 Anwendung des Wadenbands

- 1.



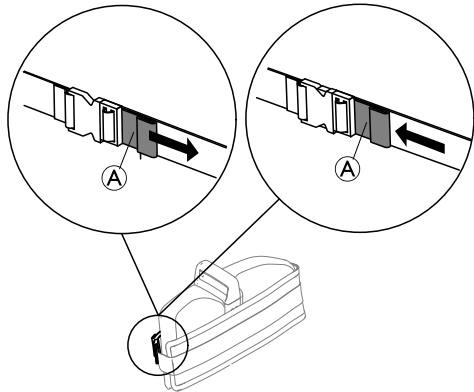
Um das Wadenband zu verwenden, wickeln Sie den langen gepolsterten Teil um die Unterschenkelstütze und die Unterschenkel des Patienten und schieben Sie die Zunge **A** in die Gurtschnalle **B** auf der Rückseite der Unterschenkelstütze.

- 2.




Zum Öffnen drücken Sie die seitlichen Riegel © und ziehen Sie die Zunge ① aus der Schnalle ②.

3.

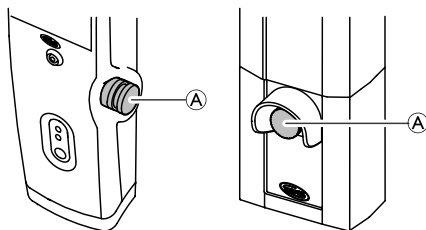


Um das Wadenband in der Länge einzustellen, ziehen Sie entweder an der Klemme ①, um den Gurt zu verkürzen, oder drücken Sie die Klemme ① in Richtung der Schnalle, um den Gurt zu verlängern.

 Befindet sich kein Patient im Lifter, wickeln Sie das Wadenband um die Unterschenkelstütze, schließen Sie den Verschluss und kürzen Sie den Gurt, um ihn zu fixieren.

## 5.8 Notfallfunktionen

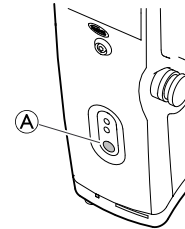
### 5.8.1 Durchführen eines Notaus



1. Drücken Sie die rote Notaus-Taste ① an der Steuerungseinheit, um den Ausleger anzuhalten und das Heben bzw. Absenken des Patienten zu unterbrechen.
2. Um die Notaus-Taste wieder zurückzusetzen, drehen Sie die Taste im Uhrzeigersinn.

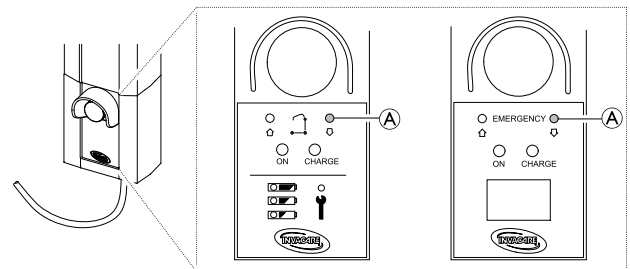
### 5.8.2 Aktivieren einer Notabsenkung (Steuerungseinheit CBJ Home)

Wenn das Handbedienteil ausfällt, kann der Ausleger mit der Rundtaste für die Notabsenkung abgesenkt werden.



1. Senken Sie den Ausleger ab, indem Sie die Taste ① vorn an der Steuerungseinheit drücken und gedrückt halten.
2. Durch Loslassen der Taste unterbrechen/beenden Sie das Absenken des Auslegers.

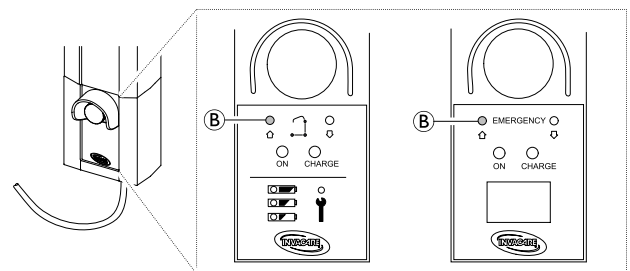
### 5.8.3 Aktivieren einer Notabsenkung (Steuerungseinheit CBJ Care, CBJ1, CBJ2)



Wenn das Handbedienteil ausfällt, kann der Ausleger mit der Rundtaste für die Notabsenkung abgesenkt werden. Drücken Sie die Taste mit einem spitzen Gegenstand, z. B. einem Bleistift.

1. Senken Sie den Ausleger ab, indem Sie die Taste ① vorn an der Steuerungseinheit drücken und gedrückt halten.
2. Durch Loslassen der Taste unterbrechen/beenden Sie das Absenken des Auslegers.

### 5.8.4 Aktivieren einer Notanhebung (Steuerungseinheit CBJ Care, CBJ1)



Wenn das Handbedienteil nicht anspricht, kann der Ausleger mit dem Schalter für die Notabsenkung angehoben werden. Drücken Sie die Taste mit einem spitzen Gegenstand, z. B. einem Bleistift.

1. Heben Sie den Ausleger an, indem Sie die Taste ② vorn an der Steuerungseinheit drücken und halten.
2. Unterbrechen Sie das Anheben des Auslegers durch Loslassen der Taste.

### 5.8.5 Auslösen einer mechanischen Notabsenkung

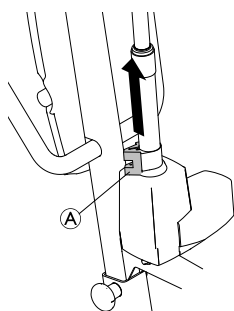
Wenn die Notabsenkung unter Verwendung der Steuerungseinheit nicht funktioniert, besteht zusätzlich noch die Möglichkeit einer manuellen Notabsenkung. Diese kann beispielsweise bei einem teilweisen oder vollständigen Stromausfall oder einer vollständigen Entladung des Akkus während des Betriebs erforderlich werden.

**WARNUNG!****Gefahr von Verletzungen oder Sachschäden**

Die wiederholte Durchführung einer mechanischen Notabsenkung führt zu einer starken Zunahme der Absenkgeschwindigkeit.

- Nutzen Sie die mechanische Notabsenkung nur als letzte Möglichkeit, wenn die Notabsenkung unter Verwendung der Steuerungseinheit nicht funktioniert.
- Vermeiden Sie es, wiederholt in dichtem Abstand eine mechanische Notabsenkung durchzuführen.
- Senken Sie den Patienten immer auf eine tragfähige Fläche (Bett, Stuhl usw.) ab.
- Nachdem eine mechanische Notabsenkung erforderlich war, muss der Patientenlifter überprüft werden, um die Fehlfunktion der Steuerungseinheit zu beheben.

1. Der rote Notgriff **A** befindet sich unten am Verstellmotorkolben.
2. Ziehen Sie den roten Notgriff **A** langsam nach oben und halten Sie ihn in Position, wenn eine sichere Absenkgeschwindigkeit erreicht ist.
3. Wenn bei vollständig gezogenem Notgriff **A** kein Absenken erfolgt, drücken Sie den Ausleger gleichzeitig herunter.



Die effektive Senkgeschwindigkeit hängt vom Patientengewicht ab. Ist die Geschwindigkeit zu niedrig oder zu hoch, kann sie an das Patientengewicht angepasst werden. Einstellen der Absenkgeschwindigkeit:

1. In der unteren Bohrung des roten Notgriffs **A** befindet sich eine Schraube.
2. Drehen Sie die Schraube gegen den Uhrzeigersinn, um die Geschwindigkeit zu erhöhen.
3. Drehen Sie die Schraube im Uhrzeigersinn, um die Geschwindigkeit zu verringern.

## 5.9 Aufladen des Akkus

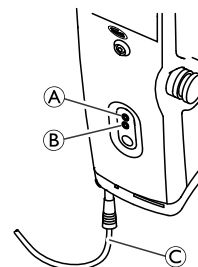
**WICHTIG!**

- Vergewissern Sie sich, dass die Notaus-Taste nicht eingedrückt ist, wenn der Akku aufgeladen werden soll.
- Stellen Sie sicher, dass das Aufladen in einem gut belüfteten Raum durchgeführt wird.
- Elektrische Funktionen stehen nicht zur Verfügung, wenn der Lifter an die Stromversorgung angeschlossen ist.
- Versuchen Sie nicht, den Lifter zu verwenden, wenn das Akkugehäuse beschädigt ist.
- Tauschen Sie ein beschädigtes Akkugehäuse aus, bevor Sie den Lifter wieder einsetzen.
- Bewegen Sie den Lifter erst, nachdem Sie das Netzkabel aus der Steckdose gezogen haben.

Es wird empfohlen, den Akku täglich aufzuladen, um die optimale Verwendung des Lifters zu gewährleisten und die Lebensdauer des Akkus zu verlängern. Darüber hinaus wird empfohlen, den Akku vor dem ersten Gebrauch zu laden.

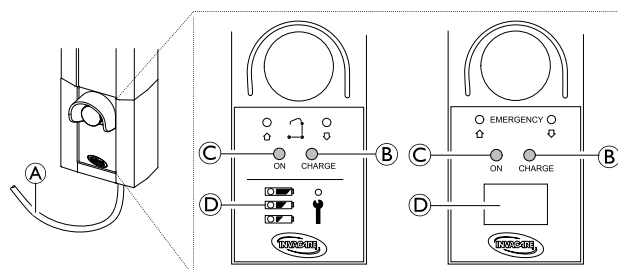
### 5.9.1 CBJ Home-Steuerungseinheit

Die Steuerungseinheit ist mit einem akustischen Signal ausgestattet. Ein Signal gibt an, dass der Akku schwach ist, der Patient jedoch noch abgesenkt werden kann. Es wird empfohlen, den Akku aufzuladen, sobald das akustische Signal ertönt.



1. Stecken Sie das Netzkabel **C** in eine Steckdose ein.
  - i** Der Akku ist in ungefähr 4 Stunden aufgeladen. Das Ladegerät wird automatisch ausgeschaltet, wenn der Akku vollständig aufgeladen ist. Die obere gelbe Leuchtdiode **A** blinkt während des Aufladens und leuchtet kontinuierlich, sobald der Akku vollständig aufgeladen ist. Die untere grüne Diode **B** leuchtet kontinuierlich, während die Steuerungseinheit mit dem Netzkabel verbunden ist. Sie leuchtet auf, wenn eine Taste auf dem Handbedienteil gedrückt wird oder wenn die elektrische Notabsenkung aktiviert wird.
2. Ziehen Sie das Netzkabel aus der Steckdose, nachdem der Akku vollständig aufgeladen wurde.

### 5.9.2 CBJ Care-, CBJ1-, CBJ2-Steuerungseinheit



Die Steuerungseinheit ist mit einem akustischen Signal ausgestattet. Ein Signal gibt an, dass der Akku schwach ist, der Patient jedoch noch abgesenkt werden kann. Es wird empfohlen, den Akku aufzuladen, sobald das akustische Signal ertönt.

1. Stecken Sie das Netzkabel **A** in eine Steckdose ein.

**i** Der Akku ist in ungefähr 4 Stunden aufgeladen. Das Ladegerät wird automatisch ausgeschaltet, wenn der Akku vollständig aufgeladen ist. Die rechte gelbe Leuchtdiode **B** leuchtet während des Aufladens kontinuierlich und erlischt, sobald der Akku vollständig aufgeladen ist.

Die linke grüne Leuchtdiode **C** leuchtet kontinuierlich, während die Steuerungseinheit mit dem Stromnetz verbunden ist.

2. Ziehen Sie das Netzkabel **A** aus der Steckdose, nachdem der Akku vollständig aufgeladen wurde.

### Akkuanzeige

Die Steuerungseinheit kann mit einer Akkuanzeige **D** ausgestattet sein, die die verbleibende Akkukapazität angibt.

#### CBJ Care

Akkuanzeige	Ladestand des Akkus	Beschreibung
	Vollständig aufgeladen	Der Ladestand des Akkus ist in Ordnung, der Akku muss nicht aufgeladen werden (100–50 %). Die obere LED leuchtet GRÜN.
	Teilweise aufgeladen	Der Akku muss aufgeladen werden (50–25 %). Die mittlere LED leuchtet GELB.
	Niedriger Akkustand	Der Akku muss aufgeladen werden (unter 25 %). Signalton ertönt, wenn eine Taste gedrückt wird. Die untere LED leuchtet GELB.
	Niedriger Akkustand (LED blinkt)	Der Akku muss aufgeladen werden. Einige Funktionen des Lifters sind nicht mehr verfügbar. Es ist nur noch möglich, den Ausleger zu senken.

#### CBJ1 und CBJ2 mit LCD

Akkuanzeige	Ladestand des Akkus	Beschreibung
	Vollständig aufgeladen (100 %)	Der Ladestand des Akkus ist in Ordnung, der Akku muss nicht aufgeladen werden (100 %).
	Teilweise aufgeladen (75 %)	Der Ladestand des Akkus ist in Ordnung, der Akku muss nicht aufgeladen werden (75 %).
	Teilweise aufgeladen (50 %)	Der Akku muss aufgeladen werden (50 %).

Akkuanzeige	Ladestand des Akkus	Beschreibung
	Niedriger Akkustand (25 %)	Der Akku muss aufgeladen werden (25 %). Signalton ertönt, wenn eine Taste gedrückt wird.
	Niedriger Akkustand (0 %)	Der Akku muss aufgeladen werden. Einige Funktionen des Lifters sind nicht mehr verfügbar. Es ist nur noch möglich, den Ausleger zu senken.

### Optionales Handbedienteil

Für CBJ Care ist ein optionales Handbedienteil mit Akkuanzeige erhältlich.

Akkuanzeige	Ladestand des Akkus	Beschreibung
	Vollständig aufgeladen	Der Ladestand des Akkus ist in Ordnung, der Akku muss nicht aufgeladen werden (100–50 %). Die rechte LED leuchtet GRÜN.
	Teilweise aufgeladen	Der Akku muss aufgeladen werden (50–25 %). Die mittlere LED leuchtet GELB.
	Niedriger Akkustand	Der Akku muss aufgeladen werden (unter 25 %). Signalton ertönt, wenn eine Taste gedrückt wird. Die linke LED leuchtet GELB.
	Niedriger Akkustand (LED blinkt)	Der Akku muss aufgeladen werden. Einige Funktionen des Lifters sind nicht mehr verfügbar. Es ist nur noch möglich, den Ausleger zu senken.

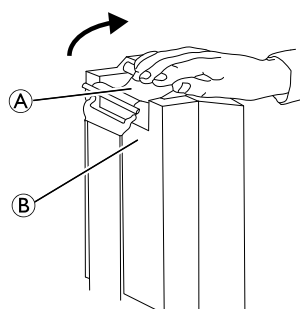
### 5.9.3 Optionales Akkuladegerät

(nur für Steuerungseinheiten mit abnehmbarem Akku)

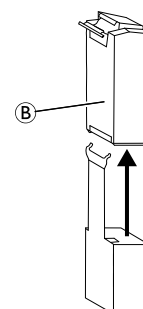
**i** Die Vorgehensweise zum Entfernen bzw. Einsetzen des Akkus ist für die Steuerungseinheit und das Ladegerät identisch.

#### Entfernen des Akkus

1.



2.





1. Klappen Sie den Griff **A** auf der Rückseite des Akkus **B** nach oben.
2. Nehmen Sie den Akku nach oben aus der Steuerungseinheit oder dem Ladegerät heraus.

#### Einsetzen des Akkus

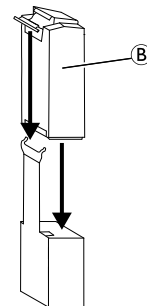


#### VORSICHT!

Ein unsachgemäßes Einsetzen des Akkus kann zu Verletzungen oder Schäden führen.

- Wenn Sie den Akku in die Steuerungseinheit oder das Ladegerät einsetzen, muss ein deutliches Klicken zu hören sein. Nur so ist sichergestellt, dass der Akku korrekt eingesetzt wurde.

1. Setzen Sie den Akku **B** wie abgebildet in die Steuerungseinheit oder das Ladegerät ein. Es muss ein deutliches Klicken zu hören sein.



Wenn der Akku in das Ladegerät eingesetzt ist, leuchtet die Laden-LED. Wenn der Ladevorgang abgeschlossen ist, erlischt die Lade-LED wieder.

Es dauert etwa vier Stunden, bis der Akku vollständig geladen ist.

## 6 Patiententransfer

### 6.1 Allgemeine Sicherheitsinformationen



#### WARNUNG!

##### Gefahr von Verletzungen oder Sachschäden

- Die unsachgemäße Verwendung dieses Produkts kann zu Verletzungen oder Sachschäden führen.
- Vor der Verlagerung eines Patienten auf ein feststehendes Objekt (Rollstuhl, Bett, Toilettenstuhl oder sonstige Sitzfläche) prüfen Sie, ob das Gewicht des Patienten die jeweiligen Gewichtsbeschränkungen nicht überschreitet.
  - Falls zutreffend, müssen die Feststellbremsen des stehenden Objekts (Rollstuhl, Bett usw.) verriegelt sein, bevor der Patient abgesenkt oder angehoben werden darf.
  - Wenn Sie den Lifter in Verbindung mit Betten oder Rollstühlen verwenden, achten Sie auf die Position des Lifters in Bezug zu diesen Objekten, damit er sich nicht verhakt.
  - Bevor Sie die Fußschienen des Patientenlifters unter ein Bett schieben, überprüfen Sie, ob der Bereich frei von Hindernissen ist.



#### WARNUNG!

##### Gefahr von Verletzungen oder Sachschäden

- Die unsachgemäße Verwendung dieses Produkts kann zu Verletzungen oder Sachschäden führen.
- Verwenden Sie zum Schieben oder Ziehen des Lifters immer die Schiebestangen am Mast der Vorrichtung.
  - Verwenden Sie den Lifter nicht auf abschüssigen Oberflächen. Invacare empfiehlt, das Produkt nur auf ebenen Böden zu verwenden.
  - Beim Transfer eines Patienten, der in einem am Patientenlifter befestigten Patientengurt gehalten wird, rollen Sie den Lifter nicht über unebene Böden, da er sonst umkippen könnte.
  - Beim Transfer eines Patienten, der in einem am Patientenlifter befestigten Patientengurt gehalten wird, müssen die Fußschienen für höchstmögliche Stabilität und Sicherheit maximal geöffnet sein. Muss der Patientenlifter durch einen engen Gang geschoben werden, schließen Sie die Fußschienen und öffnen Sie sie, sobald möglich, wieder komplett.



#### WARNUNG!

##### Gefahr von Verletzungen oder Sachschäden

- Beschädigte Patientenlifterbauteile (Handbedienteil, Schwenkrollen usw.) aufgrund eines Anstoßens an Boden, Wänden oder anderen feststehenden Objekten können zu Produkt- und Personenschäden führen.
- Lassen Sie die Lifterteile nicht am Boden, an Wänden und anderen feststehenden Objekten anstoßen.
  - Bewahren Sie das Handbedienteil stets ordnungsgemäß auf, wenn es nicht verwendet wird.



#### WARNUNG!

##### Verletzungsgefahr

- Verletzungen von Patient und/oder Begleitperson sind möglich.
- Achten Sie stets auf die Position von Hebearm und Patient.
  - Achten Sie ebenso stets auf die Position der Fußplatte, insbesondere auf die Position der Füße des Patienten auf der Fußplatte.
  - Bevor Sie die Fußschienen des Patientenlifters zu beiden Seiten des Patienten ausrichten, achten Sie darauf, dass die Fußplatte nicht an die Füße des Patienten stößt.
  - Sorgen Sie vor einem Transfer immer dafür, dass die Füße des Patienten und/oder die Fußplatte trocken sind.



#### WARNUNG!

##### Einklemm- oder Strangulationsgefahr

- Es besteht Verletzungsgefahr, wenn das Kabel des Handbedienteils inkorrekt platziert und befestigt wird.
- Achten Sie immer auf die Position des Kabels des Handbedienteils in Bezug zum Patienten und zum Pflegepersonal.
  - Das Kabel des Handbedienteils darf sich nicht um den Patienten und das Pflegepersonal wickeln.
  - Das Handbedienteil muss ordnungsgemäß gesichert werden. Bewahren Sie das Handbedienteil STETS ordnungsgemäß auf, wenn es nicht verwendet wird.



#### WARNUNG!

##### Einklemm- oder Strangulationsgefahr

- Gegenstände im Umfeld des Patienten können während des Hebens zu einer Gefährdung durch Einklemmen oder Strangulation führen. So verhindern Sie Einklemmen oder Strangulation:
- Überprüfen Sie vor dem Anheben, dass sich im Umfeld des Patienten keine Gegenstände befinden.



#### WARNUNG!

##### Einklemmgefahr

- Zwischen Haken und Gurt besteht Einklemmgefahr.
- Gehen Sie beim Heben vorsichtig vor.
  - Hände oder Finger dürfen beim Heben keinesfalls in Kontakt mit den Haken oder in ihre Nähe kommen.
  - Achten Sie vor dem Anheben darauf, dass sich die Hände und Finger des Patienten nicht in der Nähe der Haken befinden.



#### WARNUNG!

##### Verletzungsgefahr

- Verletzungen von Patient und/oder Begleitperson sind möglich:
- bei falscher Einstellung von Hebearm und/oder Unterschenkelstütze in Relation zur Körpergröße des Patienten
  - bei nicht verriegeltem oder beschädigtem Hebearm oder bei Verschleiß an den Hebearmteilen

**WICHTIG!**

Die nachstehend aufgeführten Schritte des Transfers können von einer (1) Begleitperson durchgeführt werden. Invacare empfiehlt jedoch, dass der Transfer nach Möglichkeit von zwei (2) Begleitpersonen durchgeführt wird.



Heben Sie den Patienten nur so weit an, wie erforderlich. Ein weiter unten liegender Schwerpunkt sorgt für mehr Stabilität, gibt dem Patienten ein Gefühl der Sicherheit und erlaubt ein einfacheres Bewegen des Patientenlifters.

## 6.2 Anbringen des Patientengurts am Lifter

**WARNUNG!****Verletzungsgefahr**

Die Verwendung ungeeigneter oder beschädigter Patientengurte kann dazu führen, dass der Patient herunterfällt oder Begleitpersonen verletzt werden.

- Verwenden Sie einen von Invacare zugelassenen Gurt, der vom Arzt, der Schwester oder dem medizinischen Assistenten des Patienten empfohlen wird, um den Komfort und die Sicherheit des zu hebenden Patienten zu gewährleisten.
- Patientengurte und Zubehör für Patientenlifter von Invacare sind speziell für die Verwendung mit Patientenliftern von Invacare ausgelegt.
- Waschen Sie den Patientengurt gemäß den Waschanweisungen. Überprüfen Sie die Patientengurte nach jeder Wäsche auf Abnutzung, Risse und lose Nähte.
- Ausgeblichene, verschlissene, eingeschnittene, ausgefranste oder anderweitig beschädigte Patientengurte sind unsicher und können zu Verletzungen führen. Werfen Sie solche Schlingen unverzüglich weg.
- Nehmen Sie **KEINE ÄNDERUNGEN** an den Gurten vor.

**WARNUNG!****Verletzungsgefahr**

Unsachgemäß angebrachte oder eingestellte Patientengurte können dazu führen, dass der Patient herunterfällt oder Begleitpersonen verletzt werden.

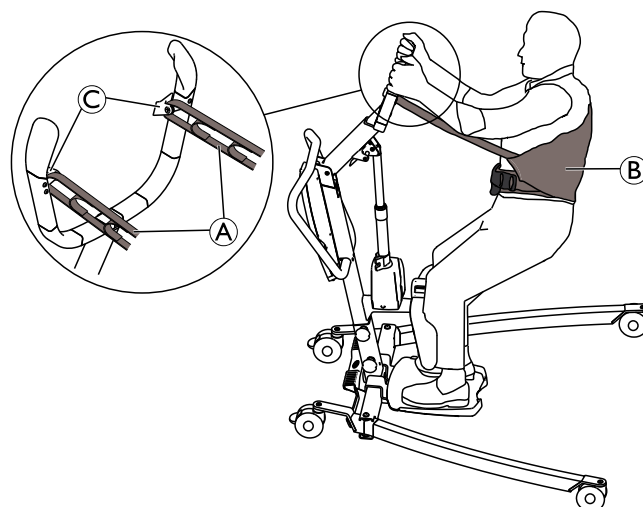
- Sie müssen die Gurtbefestigungen jedes Mal prüfen, wenn der Gurt entfernt und ersetzt wird, um sicherzustellen, dass der Gurt korrekt befestigt ist, bevor der Patient von einem stehenden Objekt (Bett, Stuhl oder Toilettensitz) hochgehoben wird.
- Verwenden Sie zwischen dem Patienten und dem Gurt **KEINE** Inkontinenzeinlagen mit Kunststoffrückseite oder Sitzkissen, die dazu führen könnten, dass der Patient beim Umsetzen aus dem Gurt rutscht.
- Positionieren Sie den Patienten gemäß den mitgelieferten Anweisungen im Gurt.
- Sämtliche Anpassungen aus Gründen der Sicherheit und des Komforts des Patienten müssen durchgeführt werden, ehe Sie den Patienten bewegen.

Die Schlaufen des Patientengurts können mit farblich markierten Bändern unterschiedlicher Länge ausgestattet sein, um den Patienten in verschiedene Positionen zu bringen. Hängen Sie den Gurt an beiden Seiten mit Schlaufen gleicher Farben auf, um ein gleichmäßiges Anheben des Patienten zu ermöglichen.

### Invacare® Gurt für Aufstehhilfe

**WARNUNG!****Verletzungsgefahr**

- Um einen Gurt für Aufstehhilfe einsetzen zu können, muss der Patient den Großteil seines eigenen Gewichts tragen können.
- Stellen Sie sicher, dass sich das untere Ende des Gurts für Aufstehhilfe am unteren Rücken des Patienten befindet und dass die Arme des Patienten außerhalb des Gurts sind.
- Damit der Patient nicht aus dem Gurt herausrutscht, muss dieser eng anliegen.



1. Schieben Sie die Schlaufen **A** des Gurts **B** über die Haken **C** am Hebearm.

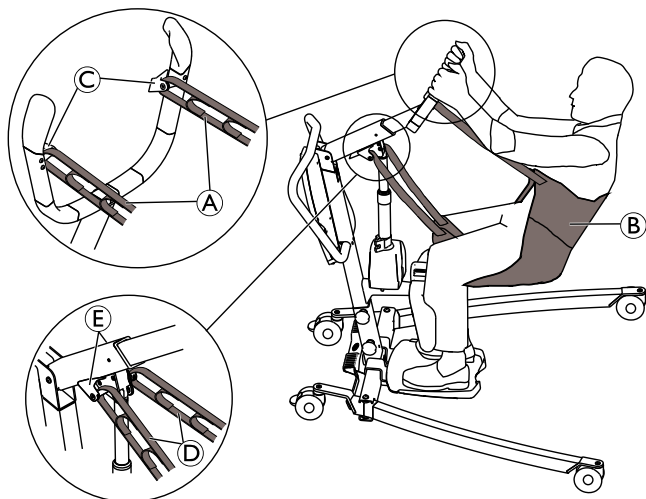
## Invacare® Transfurgurt für Aufstehhilfe



### WARNUNG!

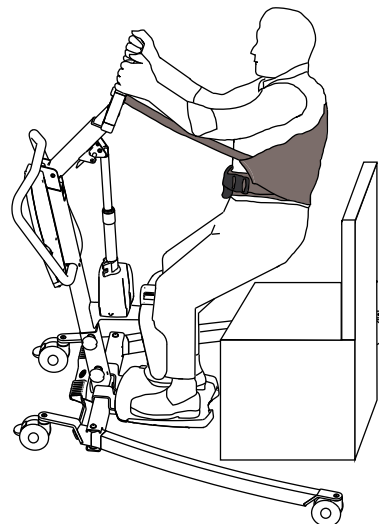
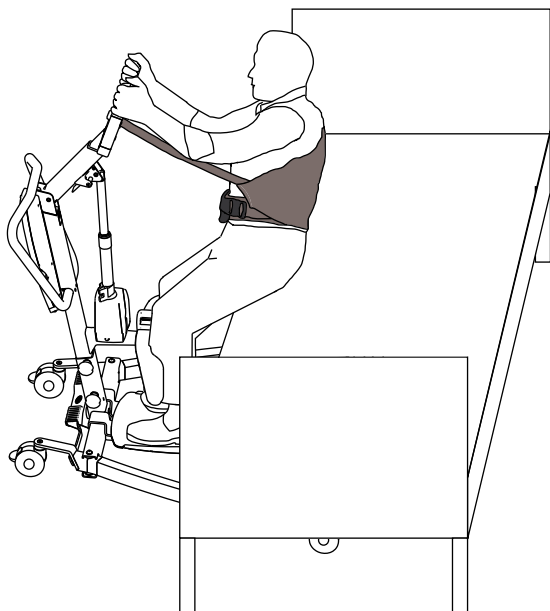
#### Verletzungsgefahr

- Stellen Sie sicher, dass sich das untere Ende des Transfurgurts für Aufstehhilfe am unteren Rücken des Patienten befindet und dass die Arme des Patienten außerhalb des Gurts sind.
- Bei Verwendung des Transfurgurts für Aufstehhilfe heben Sie den Patienten nicht vollständig in den Stand.



1. Schieben Sie die oberen Schlaufen **A** des Gurts **B** über die Haken **C** am Hebearm.
2. Schieben Sie die unteren Schlaufen **D** des Gurts **B** über die Haken **E** am Ausleger.

## 6.3 Transfer von Patienten




### Anheben von einer Sitzfläche

1. Bevor Sie fortfahren, lesen Sie die Informationen und beachten Sie alle Warnhinweise, die in *2 Sicherheit, Seite 35* und *6 Patiententransfer, Seite 50* aufgeführt sind.
2. Falls zutreffend, prüfen Sie, ob die Feststellbremsen des stehenden Objekts (z. B. Bett, Rollstuhl usw.) verriegelt sind.
3. Legen Sie dem Patienten den Gurt an. Weitere Informationen erhalten Sie in der Gebrauchsanweisung des Patientengurts.
4. Stellen Sie den Hebearm ggf. auf die Körpergröße des Patienten ein. Siehe *5 Verwenden, Seite 44*.
5. Lösen Sie die hinteren Schwenkrollen des Patientenlifters. Siehe *5 Verwenden, Seite 44*.
6. Öffnen Sie die Fußstützen des Lifters bis zur maximalen Einstellung. Siehe *5 Verwenden, Seite 44*.
7. Bewegen Sie den Patientenlifter mit der Schiebestange in die gewünschte Position.
  - Um einen Patienten aus dem Bett umzulagern, müssen sich die Fußschienen des Patientenlifters unter dem Bett befinden.
  - Für den Transfer eines Patienten aus einem Rollstuhl, Toilettensitz, Stuhl usw. werden die Fußschienen des Patientenlifters seitlich des feststehenden Objekts positioniert.
8. Lassen Sie den Patienten die Füße auf die Fußplatte stellen und die Unterschenkel an die Unterschenkelstütze drücken. Helfen Sie dem Patienten, wenn erforderlich, und überprüfen Sie die richtige Stellung der Füße auf der Fußplatte.
9. Achten Sie darauf, dass zwischen der Oberkante des Unterschenkelstützenpolsters und den Kniescheiben des Patienten ca. zwei Fingerbreit Platz ist. Stellen Sie ggf. die Höhe der Unterschenkelstütze ein. Siehe *5 Verwenden, Seite 44*.
10. Falls nötig, legen Sie das Wadenband passgenau um die Unterschenkel des Patienten. Siehe *5 Verwenden, Seite 44*.
11. Senken Sie den Patientenlifter zum leichteren Anbringen des Gurts ab. Siehe *5 Verwenden, Seite 44*.
12. Verriegeln Sie die hinteren Schwenkrollen des Patientenlifters. Siehe *5 Verwenden, Seite 44*.
13. Befestigen Sie den Patientengurt. Siehe *6.2 Anbringen des Patientengurts am Lifter, Seite 51*.
14. Lösen Sie die hinteren Rollen des Patientenlifters. Siehe *5 Verwenden, Seite 44*.

15. Weisen Sie den Patienten an, sich an den Handgriffen an beiden Seiten des Hebearms festzuhalten.
  16. Sagen Sie nun dem Patienten, dass er sich in den Gurt zurücklehnen soll.
  17. Drücken Sie auf dem Handbedienteil auf die AUFWÄRTS-Taste, um den Patienten von dem stehenden Objekt anzuheben. Siehe *5 Verwenden, Seite 44*.
  18. Prüfen Sie vor dem Transfer des Patienten noch einmal, ob der Gurt ordnungsgemäß an den Haken des Hebearms befestigt ist. Falls eine der Befestigungen nicht ordnungsgemäß angebracht ist, senken Sie den Patienten wieder auf das stehende Objekt ab und beheben Sie das Problem.
  19. Bewegen Sie den Patientenlifter mit der Schiebestange vom feststehenden Objekt weg.
4. Positionieren Sie den Patienten so weit wie möglich über der Sitzfläche.
    - Um einen Patienten ins Bett zu transferieren, müssen sich die Fußschiene des Patientenlifters unter dem Bett befinden.
    - Für den Transfer eines Patienten in einen Rollstuhl, Toilettensitz, Stuhl usw. werden die Fußschiene des Patientenlifters seitlich des feststehenden Objekts positioniert.

### Absenken auf eine Sitzfläche

1. Bevor Sie fortfahren, lesen Sie die Informationen und beachten Sie alle Warnhinweise, die in *2 Sicherheit, Seite 35* und *6 Patiententransfer, Seite 50* aufgeführt sind.
  2. Vergewissern Sie sich, dass der Patient weit genug über die Fläche zum Absetzen gehoben wird. Heben Sie den Patienten an und/oder senken Sie ggf. das feststehende Objekt.
  3. Falls zutreffend, prüfen Sie, ob die Feststellbremsen des stehenden Objekts (z. B. Bett, Rollstuhl usw.) verriegelt sind.
5. Drücken Sie die Taste mit dem nach unten zeigenden Pfeil und lassen Sie den Patienten auf die Sitzfläche ab. Siehe *5 Verwenden, Seite 44*.
  6. Verriegeln Sie die hinteren Rollen des Patientenlifters. Siehe *5 Verwenden, Seite 44*.
  7. Lösen Sie den Gurt von allen Befestigungspunkten an dem Patientenlifter.
  8. Falls nötig, nehmen Sie das Wadenband von den Unterschenkeln des Patienten ab. Siehe *5 Verwenden, Seite 44*.
  9. Weisen Sie den Patienten an, die Füße von der Fußplatte zu nehmen. Helfen Sie dem Patienten ggf. dabei.
  10. Lösen Sie die hinteren Rollen des Patientenlifters. Siehe *5 Verwenden, Seite 44*.
  11. Schieben Sie den Patientenlifter vom feststehenden Objekt weg.
  12. Entfernen Sie den Gurt vom Oberkörper des Patienten.
    -  Bei Nutzung des Toilettensitzes kann der Patient im Invacare® Gurt für Aufstehhilfe verbleiben. In diesem Fall muss der Gurt vor dem Anheben vom Toilettensitz nicht wieder um den Patienten gelegt werden.

---

## 7 Transport und Lagerung

---

### 7.1 Allgemeine Informationen

Beim Transport oder bei längerer Nichtbenutzung des Patientenlifters sollte die Notaus-Taste gedrückt sein.

Der zerlegte Lifter kann zum Transport oder zur Aufbewahrung in der Verpackung aufbewahrt werden.

Der Patientenlifter muss bei normaler Raumtemperatur gelagert werden. Bei Lagerung an einem feuchten, kalten oder nassen Ort können der Motor und andere Montageteile korrodieren. Siehe *11.4 Umgebungsbedingungen, Seite 62*.

### 7.2 Zerlegen des Patientenlifters

1. Nehmen Sie ggf. die Fahrgestellspreizung ab.
2. Senken Sie den Ausleger ab und schließen Sie die Fußschienen komplett.

3. Betätigen Sie die Notaus-Taste und stellen Sie die Bremsen der Schwenkrollen fest.
4. Stellen Sie den Hebearm auf die Mindestlänge ein. Siehe *5.5 Einstellen des Hebearms auf die Körpergröße des Patienten, Seite 45*.
5. Führen Sie die in *4.6 Montieren der Unterschenkelstütze, Seite 42* aufgeführten Schritte in umgekehrter Reihenfolge durch.
6. Führen Sie die in *4.3 Montieren des Masts auf der Basis, Seite 41* aufgeführten Schritte in umgekehrter Reihenfolge durch.
7. Führen Sie die in *4.4 Montieren der Fußplatte, Seite 42* aufgeführten Schritte in umgekehrter Reihenfolge durch.

## 8 Instandhaltung

### 8.1 Allgemeine Hinweise zur Instandhaltung


**VORSICHT!**
**Gefahr von Verletzungen oder Sachschäden**

- Während des Gebrauchs des Produkts keine Wartungs- oder Servicearbeiten durchführen.

Die in diesem Handbuch beschriebenen Wartungsvorschriften befolgen, um das Produkt jederzeit in betriebsfähigem Zustand zu halten.

Weitere Wartungs- und Inspektionsarbeiten, die von einem qualifizierten Techniker durchgeführt werden müssen, sind im Servicehandbuch zu diesem Produkt beschrieben. Servicehandbücher sind bei Invacare erhältlich.

### 8.2 Tägliche Überprüfungen


**WARNUNG!**
**Gefahr von Verletzungen oder Sachschäden**

- Beschädigte oder verschlissene Teile können die Sicherheit des Lifters beeinträchtigen.
- Der Patientenlifter sollte bei jeder Verwendung geprüft werden.
  - Falls Sie Schäden feststellen oder Zweifel an der Sicherheit eines Teils haben, verwenden Sie den Lifter nicht. Setzen Sie sich umgehend mit Ihrem zuständigen Invacare-Anbieter in Verbindung. Stellen Sie außerdem sicher, dass der Lifter erst dann wieder verwendet wird, wenn die Reparaturmaßnahmen abgeschlossen sind.

#### Checkliste für die tägliche Überprüfung

- Unterziehen Sie den Patientenlifter einer Sichtkontrolle. Prüfen Sie alle Teile auf äußerliche Beschädigungen oder Verschleiß.
- Überprüfen Sie alle Bauteile, Befestigungspunkte und beanspruchten Teile, wie z. B. Patientengurte, Haken und alle Drehpunkte, auf Anzeichen von Verschleiß, durchgescheuerte Stellen, Verformungen und Abnutzung.
- Vergewissern Sie sich, dass das Handbedienteil funktioniert (für Anhebevorgänge und zum Bewegen der Fußschiene).
- Laden Sie den Akku jeden Tag auf, an dem der Lifter in Gebrauch ist.
- Überprüfen Sie die Notaus-Funktion.
- Überprüfen Sie die Serviceanzeige (nur CBJ Care-Steuerungseinheit).



Die Serviceanzeige wird durch ein Schraubenschlüssel-Symbol auf der Steuerungseinheit und ggf. auf dem Handbedienteil dargestellt.

- Wenn die Serviceanzeige gelb blinkt, muss der Lifter gewartet werden. Verwenden Sie den Lifter nicht, sondern wenden Sie sich bzgl. einer Wartung an Ihren Invacare-Anbieter.
- Wenn die Serviceanzeige nicht blinkt, ist der Lifter einsatzbereit.

## 8.3 Reinigung und Desinfektion

### 8.3.1 Allgemeine Sicherheitsinformationen


**VORSICHT!**
**Kontaminationsgefahr**

- Vorkehrungen für sich selbst treffen und geeignete Schutz-ausrüstung verwenden.


**VORSICHT!**
**Gefahr von Stromschlag und Beschädigung des Produkts**

- Das Gerät ggf. ausschalten und vom Netz trennen.
- Bei der Reinigung von elektronischen Bauteilen ist zu beachten, welche Schutzart (Schutz gegen eindringendes Wasser) diese besitzen.
- Sicherstellen, dass kein Wasser auf den Netzstecker oder die Steckdose gelangt.
- Die Steckdose nicht mit nassen Händen berühren.


**WICHTIG!**

Falsche Reinigungsmethoden oder -flüssigkeiten können zu einer Beschädigung des Produkts führen.

- Alle verwendeten Reinigungs- und Desinfektionsmittel müssen wirksam und miteinander verträglich sein und das Material schützen, das mit ihnen gereinigt wird.
- Keinesfalls korrodierende Flüssigkeiten (Laugen, Säuren usw.) oder scheuernde Reinigungsmittel verwenden. Wenn in der Reinigungsanleitung nichts anderes angegeben ist, empfehlen wir ein handelsübliches Haushaltsreinigungsmittel (z. B. Geschirrspülmittel).
- Niemals Lösungsmittel (Nitroverdünnung, Aceton usw.) verwenden, die die Struktur des Kunststoffes verändern oder die angebrachten Etiketten angreifen.
- Immer sicherstellen, dass das Produkt absolut trocken ist, bevor es wieder in Gebrauch genommen wird.



Zur Reinigung und Desinfektion in Langzeitpflegeumgebungen oder klinischen Umgebungen die hausinternen Verfahren beachten.

### 8.3.2 Reinigungsintervalle


**WICHTIG!**

Regelmäßige Reinigung und Desinfektion sorgen für einen reibungslosen Betrieb, verlängern die Nutzungsdauer und verhindern Verunreinigungen. Reinigen und desinfizieren Sie das Produkt

- regelmäßig, sofern es verwendet wird
- vor und nach jeder Wartung
- nach Kontakt mit Körperflüssigkeiten
- vor Benutzung durch einen neuen Patienten

### 8.3.3 Reinigungsanleitung



#### WICHTIG!

- Das Produkt darf nicht in automatischen Waschanlagen, mit einem Hochdruckreiniger oder mit Dampf gereinigt werden.

#### Reinigen des Lifters

Methode: Wischen Sie die Teile mit einem feuchten Tuch oder einer weichen Bürste ab.

Max. Temperatur: 40 °C

Lösungsmittel/Chemikalien: Haushaltsübliches Reinigungsmittel und Wasser

Trocknen: Wischen Sie die Teile mit einem weichen Tuch trocken.

#### Reinigen des Patientengurts

Hinweise zur Reinigung entnehmen Sie der Waschanleitung auf dem Gurt und der zugehörigen Gebrauchsanweisung.

### 8.3.4 Desinfektionsanleitung



Informationen zu empfohlenen Desinfektionsmitteln und -verfahren finden Sie unter <https://vah-online.de/de/fuer-anwender>.

### Im häuslichen Bereich

Methode: Befolgen Sie die Anwendungshinweise des verwendeten Desinfektionsmittels und desinfizieren Sie alle zugänglichen Oberflächen durch Abwischen.

Desinfektionsmittel: Haushaltsübliches Desinfektionsmittel

Trocknen: Das Produkt an der Luft trocknen lassen.

### In der klinischen und Langzeitpflege

Befolgen Sie Ihre hausinternen Desinfektionsverfahren und verwenden Sie nur die dort angegebenen Desinfektionsmittel und Methoden.

## 8.4 Wartungsintervall



#### WARNUNG!

#### Verletzungsgefahr oder Gefahr von Sachschäden

- Wartungsarbeiten dürfen nur von einem qualifizierten Techniker vorgenommen werden.
- Wenden Sie sich bezüglich Instandhaltung an Ihren Invacare-Anbieter.

Eine Wartung muss mindestens alle 12 Monate erfolgen, sofern in den lokalen Anforderungen nichts anderes angegeben ist.



## 9 Nach dem Gebrauch

### 9.1 Entsorgung



#### **WARNUNG!**

#### **Umweltgefährdung**

Das Produkt enthält Akkus.  
Das Produkt enthält Substanzen, die die Umwelt schädigen können, wenn sie nicht in Übereinstimmung mit der nationalen Gesetzgebung entsorgt werden.

- Entsorgen Sie die Akkus NICHT über den normalen Haushaltsmüll.
- Akkus MÜSSEN zu einer entsprechenden Annahmestelle gebracht werden. Sie sind von Gesetzes wegen zur Rückgabe verpflichtet. Die Rückgabe von Akkus ist kostenlos.
- Entsorgen Sie nur entladene Akkus.
- Kleben Sie die Anschlussklemmen von Lithium-Akkus vor der Entsorgung ab.
- Informationen zum Akkutyp finden Sie auf dem Akkuaufkleber oder im Kapitel *11 Technische Daten, Seite 60*.

Handeln Sie umweltbewusst, und lassen Sie dieses Produkt nach dem Ende seiner Lebensdauer über eine lokale Müllverwertungsanlage recyceln.

Demontieren Sie das Produkt und seine Bauteile, damit die verschiedenen Materialien einzeln getrennt und recycelt werden können.

Die Entsorgung und das Recycling von gebrauchten Produkten und Verpackungen müssen in Übereinstimmung mit den einschlägigen Gesetzen und Vorschriften des jeweiligen Landes zur Abfallentsorgung erfolgen. Wenden Sie sich an Ihr Abfallentsorgungsunternehmen, wenn Sie weitere Informationen wünschen.

### 9.2 Wiederaufbereitung

Dieses Produkt ist für den Wiedereinsatz geeignet. Um das Produkt für einen neuen Benutzer wiederaufzubereiten, sind die folgenden Maßnahmen zu ergreifen:

- Reinigung und Desinfektion
- Inspektion gemäß Wartungsplan


Ausführliche Informationen zu Inspektion, Reinigung und Desinfektion finden Sie in der Gebrauchsanweisung und im Servicehandbuch zu diesem Produkt.

## 10 Problembehandlung

### 10.1 Erkennen von Mängeln und mögliche Lösungen


Symptome	Störung	Lösung
Patientenlifter ist locker	Verbindung zwischen Mast und Basis ist locker	Verbindung zwischen Mast und Basis erneut festziehen. Siehe 4.3 <i>Montieren des Masts auf der Basis, Seite 41.</i>
	Mechanismus für manuelle Fahrgestellspreizung locker	Invacare-Anbieter kontaktieren.
Schwenkrollen/Bremsen sind laut oder schwergängig	Flusen oder Schmutz im Rollenlager	Schwenkrollen von Flusen und Schmutz säubern.
	Schwenkrollen/Bremsen sind beschädigt	Invacare-Anbieter kontaktieren.
Drehgelenke quietschen oder knirschen	Drehgelenke sind abgenutzt oder beschädigt	Invacare-Anbieter kontaktieren.
Elektrischer Verstellmotor hebt oder senkt den Ausleger nicht oder die Beinschienen öffnen/schließen sich auf Knopfdruck nicht	Stecker von Handbedienteil oder Verstellmotor ist locker	Schließen Sie das Handbedienteil bzw. den Verstellmotor korrekt an. Stellen Sie sicher, dass die Anschlüsse ordnungsgemäß sitzen und fest verbunden sind.
	Akku schwach	Laden Sie den Akku. Siehe 5.9 <i>Aufladen des Akkus, Seite 47.</i>
	Notaus-Taste ist gedrückt	Notaus-Taste im Uhrzeigersinn drehen, bis er herauskommt.
	Akku nicht richtig an Steuerungseinheit angeschlossen	Den Akku erneut in die Steuerungseinheit einsetzen. Siehe 5.9.3 <i>Optionales Akkuladegerät, Seite 48.</i>
	Verbindungsklemmen sind beschädigt	Invacare-Anbieter kontaktieren.
	Netzkabel mit Steckdose verbunden	Netzkabel aus der Steckdose ziehen.
	Ausleger- oder Schenkel-Verstellmotor ist beschädigt	Invacare-Anbieter kontaktieren.
	Maximallast ist überschritten	Last reduzieren (der Lifter funktioniert normal).
Verstellmotor klingt ungewöhnlich	Verstellmotor ist beschädigt	Invacare-Anbieter kontaktieren.
Ausleger senkt sich bei Betätigen der manuellen Notabsenkung nicht	Ausleger benötigt ein Mindestgewicht, um sich aus der obersten Position zu senken	Ausleger sanft nach unten ziehen.
Steuerungseinheit piept beim Anheben und der Motor stoppt	Maximallast ist überschritten	Last reduzieren (der Lifter funktioniert normal).
Akku lädt nicht	Netzkabel ist nicht richtig an Steuerungseinheit und/oder Steckdose angeschlossen	Stellen Sie sicher, dass die Anschlüsse ordnungsgemäß sitzen und fest verbunden sind. Siehe 5.9 <i>Aufladen des Akkus, Seite 47.</i>
	Netzkabel ist beschädigt	Invacare-Anbieter kontaktieren.
Hebearm kann nicht eingestellt werden	Roter Hebel am Ausleger wird nicht gedrückt und nach oben gehalten	Siehe 5.5 <i>Einstellen des Hebearms auf die Körpergröße des Patienten, Seite 45</i>
	Hebearm ist bereits in der höchsten oder niedrigsten Stellung	Siehe 5.5 <i>Einstellen des Hebearms auf die Körpergröße des Patienten, Seite 45</i>
	Einstellungsmechanismus ist beschädigt	Invacare-Anbieter kontaktieren.
	Ausleger ist in falscher Stellung	Ausleger in die horizontale Stellung bringen. Siehe 5.3 <i>Anheben/Absenken eines elektrischen Lifters, Seite 44.</i>
Unterschenkelstütze kann nicht montiert oder eingestellt werden	Hebel wird nicht gedrückt und nach oben gehalten	Siehe 4.6 <i>Montieren der Unterschenkelstütze, Seite 42</i>

Symptome	Störung	Lösung
	Einstellungsmechanismus ist beschädigt	Invacare-Anbieter kontaktieren.
	Wadenband blockiert die Rückseite der Unterschenkelstütze	Rückseite der Unterschenkelstütze freimachen.
Mast kann nicht auf Basis fixiert werden	Ausleger zeigt in die falsche Richtung	Ausleger in die richtige Position bringen. Siehe 4.3 <i>Montieren des Masts auf der Basis, Seite 41.</i>
Patientenlifter lässt sich nicht rollen	Schwenkrollen sind verriegelt	Schwenkrollen lösen. Siehe 5.2 <i>Verriegeln und Entriegeln der hinteren Rollen, Seite 44</i>

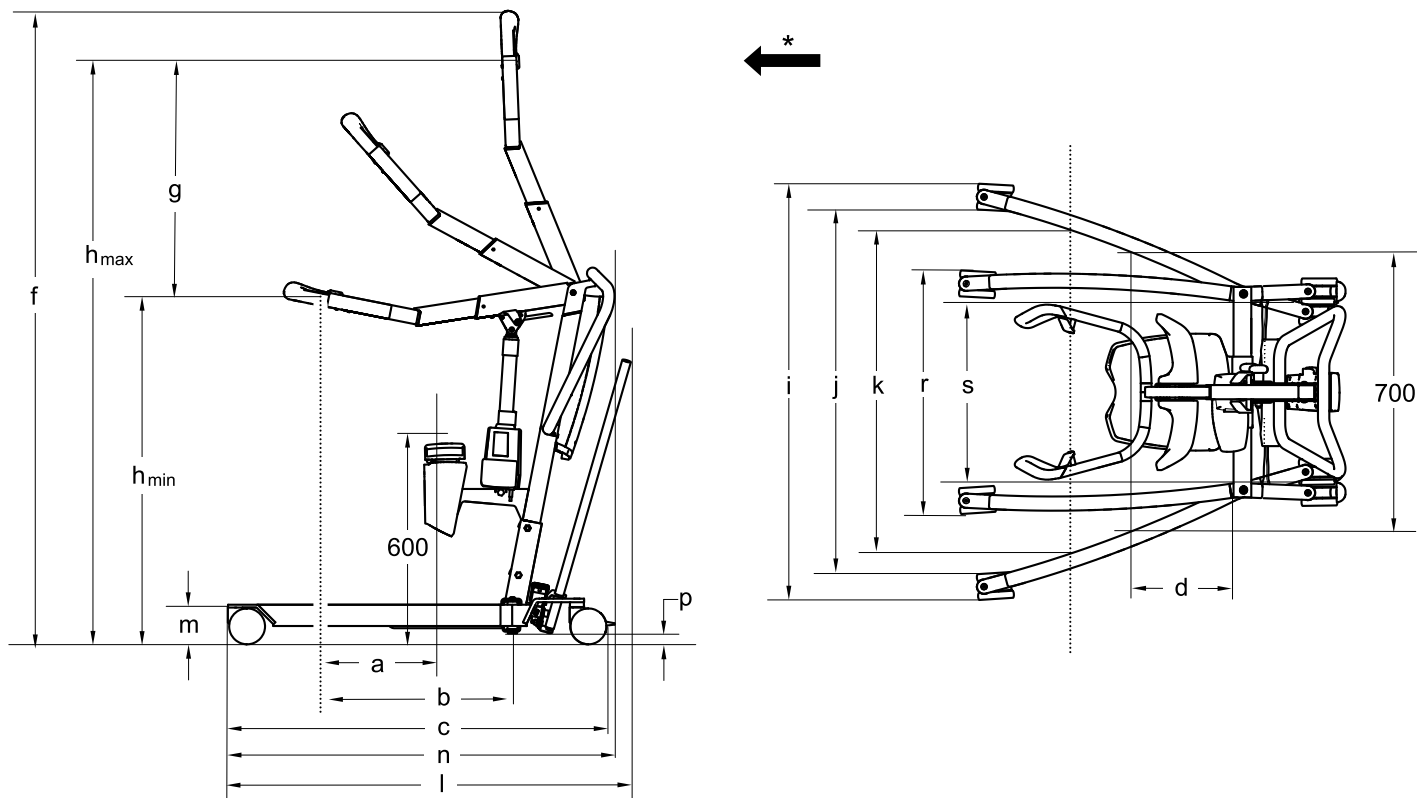
 Wenden Sie sich an Ihren Invacare-Anbieter, falls das Problem nicht durch die oben aufgeführten Schritte behoben werden kann.

## 11 Technische Daten

### 11.1 Maximale Tragfähigkeit

	ISA™ COMPACT	ISA™ STANDARD	ISA™ PLUS	ISA™ XPLUS
Max. Tragfähigkeit (Patient + Gurt)	140 kg	160 kg	180 kg	200 kg

### 11.2 Abmessungen und Gewichte



\* Fahrtrichtung

Abmessungen [mm]	ISA™ COMPACT	ISA™ STANDARD	ISA™ PLUS	ISA™ XPLUS
Durchmesser vordere/hintere Schwenkrollen	75 / 75	100 / 100	100 / 100	100 / 125
Max. Reichweite bei 600 mm (a)*	110 - 270	110 - 270	110 - 270	110 - 270
Max. Reichweite von der Basis (b)*	340 - 500	340 - 500	340 - 500	340 - 500
Länge der Basis (c)	900	925	1080	1220
Gesamtlänge ohne Hebel (n)	925	925	keine Angabe	keine Angabe
Gesamtlänge mit Hebel (l)*	980 - 1000	980 - 1000	1145	1290
Reichweite von der Basis mit Fahrgestellspreizung bis 700 mm (d)	420	420	225	225
Maximale Höhe (f)*	1635 - 1785	1650 - 1800	1650 - 1800	1650 - 1800
Hebebereich (g)*	505 - 675	505 - 675	505 - 675	505 - 675
Minimale Höhe beim Einhängen des Patientengurts (h <sub>min</sub> )*	945 - 970	960 - 985	960 - 985	960 - 985
Maximale Höhe beim Einhängen des Patientengurts (h <sub>max</sub> )*	1475 - 1620	1490 - 1635	1490 - 1635	1490 - 1635

Abmessungen [mm]	ISA™ COMPACT		ISA™ STANDARD	ISA™ PLUS	ISA™ XPLUS
Gesamtbreite (Fußschiene geöffnet), Außenmaß (i)	865	885	1110	1170	1170
Gesamtbreite (Fußschiene geöffnet), Innenmaß (j)	755	735	960	1020	1020
Gesamtbreite (Fußschiene geschlossen), Außenmaß (r)	515	535	635	640	640
Min. Innenbreite (s)	380	380	495	495	495
Innenbreite bei maximaler Reichweite (k)*	640 - 725	640 - 725	775 - 870	775 - 870	775 - 870
Wendekreis	1060	1060	1260	1400	1430
Höhe bis zur Oberkante der Fußschiene (m)	100	115	115	115	115
Min. Bodenfreiheit (p)	20	35	35	35	35

\* Bereich je nach komplett eingefahrener bis komplett ausgefahrener Position des Hebearms

Gewicht der Hauptkomponenten [kg]	ISA™ COMPACT	ISA™ STANDARD	ISA™ PLUS	ISA™ XPLUS
Gesamtgewicht	43	48	49	52
Gewicht Mast inkl. Akku	19			20
Gewicht manuelle Basis	15	20	21	keine Angabe
Gewicht elektrische Basis	keine Angabe	20	21	23
Unterschenkelstütze	5			
Fußplatte (hoch, niedrig und geneigt)	4			

### 11.3 Elektrisches System

	ISA™ COMPACT	ISA™ STANDARD	ISA™ PLUS	ISA™ XPLUS
Spannungsausgang	24 V DC			
Spannungsversorgung	100–240 V AC, 50/60 Hz			
Maximaler Eingangsstrom	280 mA (CBJ Home)/ 400 mA (CBJ2)	280 mA (CBJ Home)/ 400 mA (CBJ1 und CBJ2)	280 mA (CBJ Home)/ 400 mA (CBJ1, CBJ2 und CBJ Care)	400 mA (CBJ1 und CBJ Care)
Schutzart (gesamte Vorrichtung)	IPX4*			
Schutzklasse	Betriebsmittel der Schutzklasse II			
Anwendungsteil vom Typ B	Anwendungsteil, das die festgelegten Anforderungen zum Schutz gegen elektrischen Schlag gemäß IEC 60601-1 erfüllt			
Schallpegel	45–50 dB (A)			
Arbeitsfähigkeit	82 vollständige Hebevorgänge (mit Akku zwischen 100 % und 50 % der vollen Kapazität)			
Aussetzbetrieb (periodischer Motorbetrieb)	10 %, max. 2 min/18 min			
Akku-Spezifikation	2 x 12 V/2,9 Ah			
Akku-Typ	Bleisäure (wartungsfrei, versiegelt)			
Manuelle Notabsenkung	Ja (unten am Verstellmotor)			
Elektrische Notabsenkung/-anhebung	Ja/Nein (CBJ2 und CBJ Home)	Ja/Ja (CBJ1 Care) Ja/Nein (CBJ2 und CBJ Home)	Ja/Ja (CBJ1 und CBJ Care) Ja/Nein (CBJ2 und CBJ Home)	Ja/Ja (CBJ1 und CBJ Care)

\* IPX4 – Das System ist gegen allseitiges Spritzwasser geschützt.

## 11.4 Umgebungsbedingungen

	Lagerung und Transport	Verwendung
Temperatur	-10 °C bis +50 °C	+5 °C bis +40 °C
Relative Luftfeuchtigkeit	20 % bis 90 % bei 30 °C, nicht kondensierend	
Luftdruck	800 hPa bis 1060 hPa	



Das Produkt vor Gebrauch auf Betriebstemperatur aufwärmen/abkühlen lassen.

- Das Aufwärmen von der minimalen Lagertemperatur kann länger als 30 Minuten dauern.
- Das Abkühlen von der maximalen Lagertemperatur kann länger als 5 Minuten dauern.

## 11.5 Materialien

Komponente	Material
Basis, Fußschiene, Mast und Ausleger	Pulverbeschichteter Stahl
Ausleger-Anschlussstück, Muttern und Bolzen	Verzinkter Stahl
Handgriffe	TPE
Gurthaken	TPU
Unterschenkelstützenpolster	Selfskin-PU
Fußplattenbezug	PVC, PU

Komponente	Material
Verstellmotorgehäuse, Handbedienteil, Mastschutzvorrichtung, Schwenkrollen und andere Kunststoffteile	Material entsprechend Markierung (PA, PP, PE)
Wadenband	PA, PES, PVC, PU

Alle Komponenten sind entweder korrosionsbeständig oder korrosionsschutz.

## 11.6 Betätigungskräfte der Bedienelemente

Bedienelement	Betätigungskraft
Tasten an der Steuerungseinheit	4 N
Tasten am Handbedienteil	4 N
Fußpedal beim ISA™ COMPACT mit 100-mm-Schwenkrollen*	270 N
Hebel der Fahrgestellspreizung am ISA™ COMPACT	64 N
Hebel der Fahrgestellspreizung am ISA™ STANDARD	70 N
Hebel der Fahrgestellspreizung am ISA™ PLUS	85 N

\* Bei allen anderen Modellen und Schwenkrollengrößen muss ein Hebel für die manuelle Fahrgestellspreizung vorhanden sein.

## 12 Elektromagnetische Verträglichkeit (EMV)

### 12.1 Allgemeine Informationen zu Elektromagnetischer Verträglichkeit (EMV)

Medizinische elektrische Geräte müssen gemäß den EMV-Informationen in diesem Handbuch installiert und verwendet werden.

Dieses Produkt wurde getestet und erfüllt die in IEC/EN 60601-1-2 für Ausrüstung der Klasse B angegebenen EMV-Grenzwerte.

Tragbare und mobile HF-Kommunikationsgeräte können den Betrieb dieses Produkts beeinträchtigen.

Andere Geräte können selbst durch elektromagnetische Emissionen, die den unteren Grenzwerten gemäß der genannten Norm entsprechen, Störungen empfangen. Schalten Sie dieses Produkt ein und wieder aus, um zu ermitteln, ob die Emissionen des Produkts für die Störung verantwortlich sind. Falls die Störungen des anderen Geräts nicht weiter auftreten, wurden sie von diesem Produkt verursacht. In derartigen seltenen Fällen können die Störungen mit einer der folgenden Maßnahmen abgeschwächt oder behoben werden:

- Stellen Sie das Gerät an einer anderen Position oder einem anderen Standort auf oder vergrößern Sie den Abstand zwischen den Geräten.

### 12.2 Elektromagnetische Emissionen

#### Leitlinien und Herstellererklärung

Dieses Produkt ist zur Verwendung in der nachfolgend definierten elektromagnetischen Umgebung vorgesehen. Der Käufer oder Anwender dieses Produkts muss sicherstellen, dass es in einer solchen Umgebung verwendet wird.


Emissionstest	Konformität	Elektromagnetische Umgebung – Anleitung
HF-Emissionen CISPR 11	Gruppe I	Dieses Produkt nutzt HF-Energie nur für seine internen Funktionen. Aus diesem Grund sind die HF-Emissionen sehr gering und verursachen aller Voraussicht nach keine Störungen bei elektronischen Geräten in der Nähe.
HF-Emissionen CISPR 11	Klasse B	Das Produkt eignet sich für die Verwendung in allen Arten von Einrichtungen, darunter Wohnbereiche und Umgebungen, die direkt mit dem öffentlichen Niederspannungsnetz zur Versorgung von Wohngebäuden verbunden sind.
Oberwellen- emissionen IEC 61000-3-2	Klasse A	
Spannungs- fluktuationen/ Flimmer- Emissionen IEC 61000-3-3	Die Bestimmungen werden eingehalten.	

### 12.3 Elektromagnetische Störfestigkeit

#### Leitlinien und Herstellererklärung

Dieses Produkt ist zur Verwendung in der nachfolgend definierten elektromagnetischen Umgebung vorgesehen. Der Käufer oder Anwender dieses Produkts muss sicherstellen, dass es in einer solchen Umgebung verwendet wird.

Störfestigkeitstest	Test-/ Konformitätswert	Elektromagnetische Umgebung – Anleitung
Elektrostatische Entladung (ESD) IEC 61000-4-2	± 8 kV Kontaktentladung ± 2 kV, ± 4 kV, ± 8 kV, ± 15 kV Luft	Der Fußboden muss aus Holz, Beton oder Keramikfliesen bestehen. Ist der Boden mit synthetischem Material bedeckt, muss die relative Luftfeuchtigkeit mindestens 30 % betragen.
Transiente elektrische Störgrößen/ Bursts IEC 61000-4-4	± 2 kV für Energieleitungen; 100 kHz Wiederholfrequenz ± 1 kV für Eingangs-/ Ausgangsleitungen; 100 kHz Wiederholfrequenz	Die Netzstromqualität muss der einer typischen gewerblichen oder Krankenhausumgebung entsprechen.

Störfestigkeitstest	Test-/ Konformitätswert	Elektromagnetische Umgebung – Anleitung
Stoßspannung IEC 61000-4-5	± 1 kV zwischen Leitungen ± 2 kV zwischen Leitung und Erdung	Die Netzstromqualität muss der einer typischen gewerblichen oder Krankenhausumgebung entsprechen.
Spannungsabfälle, kurze Unterbrechungen und Spannungsschwankungen in den Stromversorgungsleitungen IEC 61000-4-11	< 0 % $U_T$ für halben Zyklus bei 45°-Schritten 0 % $U_T$ für ganze Zyklen 70 % $U_T$ für 25/30 Zyklen < 5 % $U_T$ für 250/300 Zyklen	Die Netzstromqualität muss der einer typischen gewerblichen oder Krankenhausumgebung entsprechen. Benötigt der Anwender dieses Produkts auch bei Unterbrechungen der Stromversorgung Zugriff auf dessen Funktionen, wird empfohlen, das Produkt über eine unterbrechungsfreie Spannungsversorgung oder eine Batterie zu betreiben.  $U_T$ bezeichnet die Nennnetzspannung.
Netzfrequenz (50/60 Hz) Magnetfeld IEC 61000-4-8	30 A/m	Die Störfestigkeit gegen Magnetfelder gilt bei Feldstärken, wie sie in einer typischen gewerblichen oder klinischen Umgebung auftreten können.
Leitungsgeführte HF-Störgrößen IEC 61000-4-6	3 V 150 kHz bis 80 MHz	Feldstärken fester Sender, z. B. Basisstationen für Funktelefone (mobil/schnurlos) und Landfunkgeräte, Amateurfunk, AM- und FM-Sender sowie TV-Sender können nicht genau vorhergesagt werden. Für die Beurteilung der elektromagnetischen Umgebung von ortsfesten HF-Sendern muss eine Standortaufnahme durchgeführt werden. Übersteigt die gemessene Feldstärke am Verwendungsort dieses Produkts den oben genannten HF-Konformitätswert, muss dieses Produkt auf einen normalen Betrieb geprüft werden. Bei nicht normaler Funktion sind weitere Maßnahmen erforderlich, z. B. Neuausrichtung oder Verlagerung des Produkts.
Ausgestrahlte HF-Störgrößen IEC 61000-4-3	6 V in ISM- & Amateur-Funkbändern  10 V/m 80 MHz bis 2,7 GHz  385 MHz - 5785 MHz Testspezifikationen für Störfestigkeit gegen HF-Geräte für kabellose Kommunikation siehe Tabelle 9 der Norm IEC 60601-1-2:2014.	In der Nähe von Geräten, die mit folgendem Symbol gekennzeichnet sind, kann es zu Störungen kommen:   Tragbare und mobile HF-Kommunikationsgeräte müssen mit einem Abstand von mindestens 30 cm zu einem beliebigen Teil dieses Produkts einschließlich der Kabel verwendet werden.



Diese Richtlinien werden möglicherweise nicht allen Situationen gerecht. Die Ausbreitung elektromagnetischer Felder wird durch Absorption und Reflektion aufgrund von Bauten, Objekten und Personen beeinflusst.



# Contenido

Este manual DEBE ser entregado al usuario final. ANTES de usar este producto lea este manual y guárdelo para futuras referencias.

<b>1 Generalidades</b>	<b>66</b>
1.1 Introducción	66
1.1.1 Símbolos en este manual	66
1.2 Vida útil	66
1.2.1 Información adicional	66
1.3 Limitación de responsabilidad	66
1.4 Información sobre la garantía	66
1.5 Cumplimiento	66
1.5.1 Normas específicas del producto	66
<b>2 Seguridad</b>	<b>67</b>
2.1 Información general de seguridad	67
2.1.1 Puntos de pinzamiento	68
2.2 Información de seguridad sobre los accesorios	68
2.3 Información de seguridad sobre interferencias electromagnéticas	69
2.3.1 Guía de carga de la batería	69
2.4 Etiquetas y símbolos en el producto	69
2.4.1 Ubicación de etiquetas	69
2.4.2 Etiqueta de identificación	69
2.4.3 Otros símbolos	70
<b>3 Descripción del producto</b>	<b>71</b>
3.1 Uso previsto	71
3.2 Partes principales de la grúa	71
3.3 Accesorios	72
<b>4 Instalación</b>	<b>73</b>
4.1 Información general de seguridad	73
4.2 Contenido de la entrega	73
4.3 Montaje del mástil en la base	73
4.4 Instalación de la placa de bipedestación	74
4.5 Instalación de las cinchas sujeción de piernas	74
4.6 Instalación del soporte de pantorrillas	74
4.7 Instalación de la palanca para apertura de patas manual	75
4.8 Restablecimiento del indicador de servicio	75
<b>5 Utilización</b>	<b>76</b>
5.1 Información general de seguridad	76
5.2 Bloqueo y desbloqueo de las ruedas traseras	76
5.3 Subida/bajada de una grúa eléctrica	76
5.4 Apertura y cierre de las patas	76
5.4.1 Apertura y cierre de las patas eléctricas	76
5.4.2 Apertura y cierre de las patas manualmente	76
5.5 Ajuste del brazo de elevación a la altura del paciente	77
5.6 Ajuste de la altura del soporte de pantorrillas	77
5.7 Utilización de la cincha sujeción de piernas	77
5.8 Funciones de emergencia	78
5.8.1 Realización de una parada de emergencia	78
5.8.2 Activación de una bajada de emergencia (unidad de control CBJ Home)	78
5.8.3 Activación de una bajada de emergencia (unidad de control CBJ Care, CBJ1, CBJ2)	78
5.8.4 Activación de la subida de emergencia (unidad de control CBJ Care, CBJ1)	78
5.8.5 Activación de un mecanismo de bajada de emergencia	78
5.9 Carga de la batería	79
5.9.1 Unidad de control CBJ Home	79
5.9.2 Unidad de control CBJ Care, CBJ1 y CBJ2	79
5.9.3 Cargador de batería opcional	80
<b>6 Traslado de pacientes</b>	<b>82</b>
6.1 Información general de seguridad	82
6.2 Acoplamiento de la eslinga a la grúa	83
6.3 Traslado de un paciente	84
<b>7 Transporte y almacenamiento</b>	<b>86</b>
7.1 Información general	86
7.2 Desmontaje de la grúa	86
<b>8 Mantenimiento</b>	<b>87</b>
8.1 Información general sobre mantenimiento	87
8.2 Inspecciones diarias	87
8.3 Limpieza y desinfección	87
8.3.1 Información general de seguridad	87
8.3.2 Intervalos de limpieza	87
8.3.3 Instrucciones de limpieza	88
8.3.4 Instrucciones de desinfección	88
8.4 Intervalo de mantenimiento	88
<b>9 Después del uso</b>	<b>89</b>
9.1 Eliminación	89
9.2 Reacondicionamiento	89
<b>10 Solución de problemas</b>	<b>90</b>
10.1 Identificación de fallos y posibles soluciones	90
<b>11 Datos Técnicos</b>	<b>92</b>
11.1 Carga máxima de utilización segura	92
11.2 Pesos y dimensiones	92
11.3 Sistema eléctrico	93
11.4 Condiciones ambientales	94
11.5 Materiales	94
11.6 Fuerzas de accionamiento de los controles	94
<b>12 Compatibilidad electromagnética (EMC)</b>	<b>95</b>
12.1 Información general sobre EMC	95
12.2 Emisiones electromagnéticas	95
12.3 Inmunidad electromagnética	95

# 1 Generalidades

## 1.1 Introducción

Este manual del usuario contiene información importante sobre la manipulación del producto. Para garantizar su seguridad al utilizar el producto, lea detenidamente el manual del usuario y siga las instrucciones de seguridad.

Tenga en cuenta que puede haber secciones que no sean relevantes para su producto, ya que este documento se aplica a todos los modelos disponibles (en la fecha de impresión). A no ser que se indique lo contrario, cada una de las secciones de este documento hace referencia a todos los modelos del producto.

Los modelos y las configuraciones disponibles en su país pueden encontrarse en las listas de precios específicas del país.

Invacare se reserva el derecho a modificar las especificaciones del producto sin previo aviso.

Antes de leer este documento, asegúrese de contar con la versión más reciente. Podrá encontrarla en formato PDF en el sitio web de Invacare.

Si la versión impresa del documento tiene un tamaño de letra que le resulta difícil de leer, podrá descargarlo en formato PDF en el sitio web. Podrá ampliar el PDF en pantalla a un tamaño de letra que le resulte más cómodo.

Para obtener más información sobre el producto (por ejemplo, avisos de seguridad y retiradas de productos), póngase en contacto con su representante de Invacare. Consulte las direcciones al final de este documento.

En caso de un accidente grave con el producto, informe al fabricante y a las autoridades competentes de su país.

### 1.1.1 Símbolos en este manual

En este manual se utilizan símbolos y señales que hacen referencia a peligros o usos poco seguros que pueden provocar lesiones o daños a la propiedad. A continuación, se muestran las descripciones de estos símbolos.



#### ADVERTENCIA

Indica una situación peligrosa que, si no se evita, podría tener como consecuencia la muerte o lesiones graves.



#### PRECAUCIÓN

Indica una situación peligrosa que, si no se evita, podría tener como consecuencia lesiones menos graves.



#### IMPORTANTE

Indica una situación peligrosa que, si no se evita, podría tener como consecuencia daños a la propiedad.



#### Consejos y recomendaciones

Proporciona consejos útiles, recomendaciones e información para un uso eficiente y sin problemas.

## 1.2 Vida útil

La vida útil prevista para este producto es de ocho años, siempre y cuando se utilice diariamente y en conformidad con las instrucciones de seguridad y se respeten los intervalos de mantenimiento y las instrucciones de cuidado indicadas en el presente manual. La vida útil real puede variar en función de la frecuencia y la intensidad del uso.

### 1.2.1 Información adicional

La vida útil prevista se basa en una media estimada de cuatro ciclos de elevación por día.

## 1.3 Limitación de responsabilidad

Invacare no se hace responsable de los daños surgidos por:

- Incumplimiento del manual del usuario
- Uso incorrecto
- Desgaste natural
- Montaje o instalación incorrectos por parte del comprador o de terceros
- Modificaciones técnicas
- Modificaciones no autorizadas y/o uso de recambios inadecuados

## 1.4 Información sobre la garantía

Ofrecemos la garantía del fabricante del producto conforme a nuestras Condiciones generales y Condiciones comerciales en los distintos países.

Las reclamaciones relativas a la garantía solo pueden efectuarse a través del distribuidor en el que se adquirió el producto.

## 1.5 Cumplimiento

La calidad es fundamental para el funcionamiento de nuestra empresa, que trabaja conforme a las normas ISO 13485.

Este producto lleva la marca CE, en cumplimiento con el Reglamento 2017/745 sobre productos sanitarios de clase 1. La fecha de lanzamiento de este producto figura en la declaración de conformidad CE.

Trabajamos continuamente para garantizar que se reduzca al mínimo el impacto medioambiental de la empresa, tanto a nivel local como global.

Solo utilizamos materiales y componentes que cumplen con el reglamento REACH.

Cumplimos con las leyes medioambientales RAEE y RoHS actuales.

### 1.5.1 Normas específicas del producto

Este producto se ha sometido a pruebas y cumple con la norma ISO 10535 (Grúas para el traslado de personas con discapacidad) y todos los estándares relacionados.

Para obtener más información sobre las normativas locales, póngase en contacto con el representante local de Invacare. Consulte las direcciones al final de este documento.

## 2 Seguridad

### 2.1 Información general de seguridad

Esta sección del manual incluye información general de seguridad sobre el producto. Para obtener información específica, consulte la sección correspondiente del manual y los procedimientos que en ella se describan.



#### ¡ADVERTENCIA!

##### Riesgo de daños o lesiones

- No utilice este producto ni ningún otro equipo opcional disponible sin antes haber leído y comprendido estas instrucciones así como cualquier otro material informativo adicional, como manuales del usuario u hojas de instrucciones, que se proporcione con este producto o con un equipo opcional. Si tiene alguna duda relacionada con las advertencias, precauciones o instrucciones, póngase en contacto con un profesional sanitario, con el proveedor de Invacare o con un técnico cualificado antes de intentar utilizar este producto.
- No realice modificaciones ni alteraciones no autorizadas en el producto.



#### ¡ADVERTENCIA!

##### No debe sobrepasarse la carga máxima de utilización segura

- No sobrepase la carga máxima de utilización segura de este producto ni de los accesorios empleados, como eslingas, perchas, etc. Consulte en la documentación o el etiquetado la carga máxima de utilización segura indicada.
- El componente con el límite de carga más bajo determina la carga máxima de utilización segura de todo el sistema.



#### ¡ADVERTENCIA!

##### Riesgo de daños o lesiones

- Un uso incorrecto de este producto puede provocar lesiones o daños.
- No intente realizar ningún traslado sin contar con la aprobación del profesional sanitario encargado del paciente.
  - Lea las instrucciones de este manual del usuario y vea cómo el personal cualificado realiza los procedimientos de traslado. Posteriormente, practique estos procedimientos de traslado bajo supervisión y con una persona capacitada que haga de paciente.
  - Los pacientes que se trasladen y coloquen con ayuda de la grúa de bipedestación DEBEN ser capaces de colaborar, responder de forma coherente y controlar la cabeza y el cuello. De lo contrario, podrían producirse lesiones.
  - Los pacientes que se van a trasladar y colocar utilizando una eslinga solo con soporte para la espalda, DEBEN ser capaces de soportar la mayor parte de su propio peso. De lo contrario, podrían producirse lesiones o daños. Para obtener más información, consulte el manual del usuario de la eslinga.
  - No utilice la grúa como dispositivo de transporte. Su finalidad es trasladar al paciente de una superficie de asiento a otra.



#### ¡ADVERTENCIA!

##### Riesgo de daños o lesiones

- La manipulación inadecuada de los cables, las conexiones incorrectas y el uso de equipos no autorizados puede provocar descargas eléctricas y fallos del producto.
- No enrosque, corte ni altere de ningún otro modo los cables del producto.
  - Compruebe que ningún cable esté atascado o dañado al utilizar el producto.
  - Compruebe que el cableado es correcto y que las conexiones son adecuadas.
  - No utilice equipos no autorizados.



#### ¡ADVERTENCIA!

##### Riesgo de daños o lesiones

- El exceso de humedad puede dañar el producto y causar descargas eléctricas.
- La grúa puede utilizarse en la zona de ducha o baño, pero NO bajo el agua. El paciente deberá ser trasladado a una silla de ducha o se deberá utilizar otro medio adecuado para el baño.
  - Si la grúa se utiliza en un entorno húmedo, asegúrese de eliminar cualquier resto de humedad tras utilizarla.
  - No enchufe ni desenchufe el cable de alimentación en entornos húmedos ni con las manos mojadas.
  - No guarde el producto mojado ni en un sitio húmedo.
  - Inspeccione periódicamente todos los componentes del producto para asegurarse de que no presenten signos de corrosión ni daños. Sustituya las piezas que estén corroídas o dañadas.
  - Consulte 11.4 *Condiciones ambientales*, página 94.

**¡ADVERTENCIA!****Riesgo de daños o lesiones**

- Las fuentes de ignición pueden provocar quemaduras o provocar un incendio.
- El traslado de pacientes se debe realizar dejando un espacio de seguridad entre la grúa y las posibles fuentes de ignición (calefacción, cocina, chimenea, etc.)
  - El paciente y los cuidadores no deben fumar durante el traslado.
  - La eslinga no debe colocarse sobre fuentes de calor (calefacción, cocina, chimenea, etc.)

**¡ADVERTENCIA!****Riesgo de daños o lesiones**

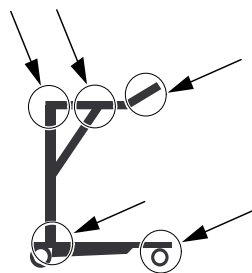
- Para evitar lesiones o daños al utilizar el producto:
- Es necesario supervisar de cerca el producto cuando se utiliza cerca de niños o mascotas.
  - No permita que los niños jueguen con el producto.

**¡PRECAUCIÓN!****Riesgo de daños o lesiones**

- El producto puede calentarse si se expone a la luz solar o a otras fuentes de calor.
- No exponga el producto a la luz solar directa durante periodos de tiempo prolongados.
  - Mantenga el producto alejado de fuentes de calor.

**¡IMPORTANTE**

- La acumulación de pelusas, polvo u otro tipo de suciedad puede dañar el producto.
- Mantenga limpio el producto.

**2.1.1 Puntos de pinzamiento****¡ADVERTENCIA!****Riesgo de lesiones**

- La grúa tiene puntos de unión en varias posiciones, lo que supone un riesgo para las extremidades.
- Mantenga siempre las manos, los dedos y los pies alejados de las partes móviles.

**2.2 Información de seguridad sobre los accesorios****¡PRECAUCIÓN!****Riesgo de lesiones**

- El uso de accesorios incorrectos o que no sean originales puede afectar al funcionamiento y a la seguridad de este producto.
- Dadas las diferencias regionales existentes, consulte en el sitio web o en el catálogo local de Invacare los accesorios disponibles o póngase en contacto con su proveedor de Invacare.
  - Consulte el manual suministrado con el accesorio para obtener más información e instrucciones.
  - Utilice exclusivamente accesorios originales adecuados para el producto en uso. En algunos casos, se pueden utilizar eslingas de otros fabricantes. Consulte esta sección para obtener más información.
  - Un profesional debe realizar una evaluación de riesgos siempre antes de utilizar un equipo de elevación. Es importante tener en cuenta la tarea, la persona, la carga, el entorno y el equipo en la evaluación de riesgos.
  - Elija siempre un diseño y tamaño de la eslinga adecuado al peso, tamaño y capacidad física del paciente, al tiempo que se considera el tipo de transferencia que se debe realizar.

**¡PRECAUCIÓN!****Compatibilidad de las eslingas con el sistema de fijación**

- Invacare utiliza un sistema de fijación de uso frecuente que emplea ganchos y anillas. Las anillas de las eslingas se sujetan a los ganchos de la grúa. Por tanto, con esta grúa pueden utilizarse eslingas de otros fabricantes siempre que cumplan los requisitos necesarios.
- Utilice exclusivamente eslingas diseñadas para grúas de bipedestación.
  - Utilice exclusivamente eslingas con anillas adecuadas para ganchos como puntos de sujeción.
  - No utilice eslingas diseñadas para "sistemas de fijación de ojal u horquilla" ni "sistemas de chasis basculante".

## 2.3 Información de seguridad sobre interferencias electromagnéticas



### ¡ADVERTENCIA!

#### Riesgo de mal funcionamiento debido a interferencias electromagnéticas

Las interferencias electromagnéticas entre este producto y otros equipos eléctricos pueden interferir con las funciones de ajuste eléctrico de este producto. Para evitar, reducir o eliminar dichas interferencias electromagnéticas:

- Utilice únicamente cables, accesorios y recambios originales, no aumente la emisión electromagnética ni reduzca la inmunidad electromagnética de este producto.
- No utilice equipos de comunicaciones por radiofrecuencia (RF) portátiles a menos de 30 cm de cualquiera de las piezas de este producto (incluidos los cables).
- No utilice esta producto cerca de un equipo quirúrgico de alta frecuencia que esté activo ni de una sala blindada contra señales de radiofrecuencia para la realización de resonancias magnéticas, donde la intensidad de las interferencias electromagnéticas es elevada.
- Si se producen interferencias, aumente la distancia entre este producto y el otro equipo o apáguelo.
- Consulte información detallada y siga las indicaciones del capítulo 12 *Compatibilidad electromagnética (EMC)*, página 95.



### ¡ADVERTENCIA!

#### Riesgo de mal funcionamiento

Las interferencias electromagnéticas pueden afectar al funcionamiento.

- No utilice este producto cerca de otros equipos eléctricos ni encima de ellos. Si no es posible separarlos, debe observarlos detenidamente para asegurarse de que funcionan normalmente.

### 2.3.1 Guía de carga de la batería



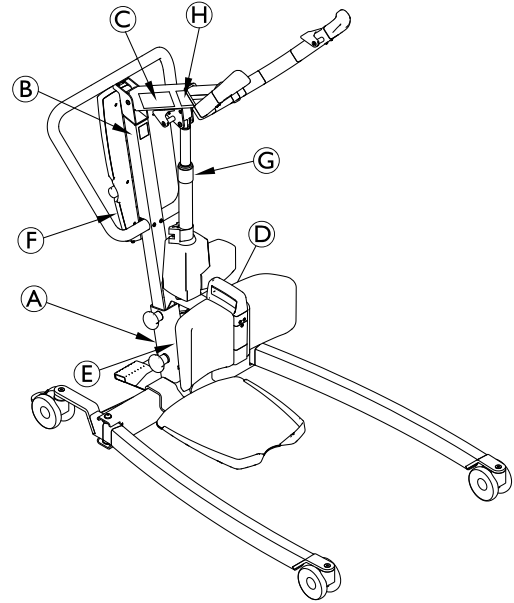
#### ¡IMPORTANTE

La unidad de control de carga es más susceptible de sufrir daños por descarga electrostática (ESD) mientras se carga la batería. La presencia de una ESD durante el modo de carga de la batería puede causar un funcionamiento incorrecto de la unidad de control o la pérdida de funcionalidades.

- Evite las posibles fuentes de ESD durante la carga de la batería.

## 2.4 Etiquetas y símbolos en el producto

### 2.4.1 Ubicación de etiquetas



Ⓐ	Etiqueta de identificación
Ⓑ	Etiqueta "Lea el manual del usuario"
Ⓒ	Nombre y carga de utilización segura de la grúa (en función del modelo)
Ⓓ	Etiqueta de condiciones ambientales y de peso total máximo
Ⓔ	Carga de utilización segura de la grúa (en función del modelo)
Ⓕ	Etiqueta de anulación de garantía (no presente en todos los modelos)
Ⓖ	Etiqueta de advertencia
Ⓗ	Etiqueta de ajuste del brazo de elevación

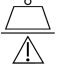




### 2.4.2 Etiqueta de identificación



La etiqueta de identificación contiene la información principal del producto, entre la que se incluyen los datos técnicos.

#### Símbolos

	Número de serie
	Referencia de producto
	Dirección del fabricante
	Fecha de fabricación



	Carga máxima de utilización segura
	Equipo de CLASE II
	Parte aplicada de tipo B
	Conforme con RAEE
	Conformidad europea

Abreviaciones de los datos técnicos:

- Iin: corriente de entrada
- AC: corriente alterna
- Uin: tensión de entrada
- Max: máximo/a
- Int.: intermitencia
- min: minuto

Para obtener más información sobre los datos técnicos, consulte *11 Datos Técnicos, página 92*.

### 2.4.3 Otros símbolos

	Consulte el manual del usuario
	Peso total del producto con la carga máxima de utilización segura aplicada

	No utilice el pistón como barra de empuje
	No lo retire La garantía quedará anulada si se extrae o se rompe
	Límite de temperatura
	Límite de humedad
	Límite de presión atmosférica
	Condiciones de transporte y almacenamiento
	Condiciones de funcionamiento
	Ajuste del brazo de elevación en relación con la altura del paciente

## 3 Descripción del producto

### 3.1 Uso previsto

La grúa de bipedestación es un dispositivo de transferencia accionado mediante baterías, diseñado para realizar una transferencia y colocar a un individuo de una superficie de asiento a otra. Por ejemplo:

- Entre la cama y una silla de ruedas
- Hacia y desde el inodoro
- Rehabilitación, ayudar a un paciente desde una posición sentada a una posición de pie

La carga máxima de utilización segura viene indicada en **11 Datos Técnicos, página 92**

La grúa de bipedestación está diseñada para utilizarse en interiores sobre una superficie nivelada, en hospitales, centros de cuidados y áreas domésticas. La grúa de bipedestación puede girar (rotar) para realizar transferencias en espacios limitados.

La persona indicada para utilizar este producto debe ser un profesional sanitario o un individuo que haya recibido la formación apropiada.

### Indicaciones

La grúa de bipedestación se puede utilizar para realizar una transferencia y colocar pacientes parcialmente inmóviles capaces de soportar su peso.

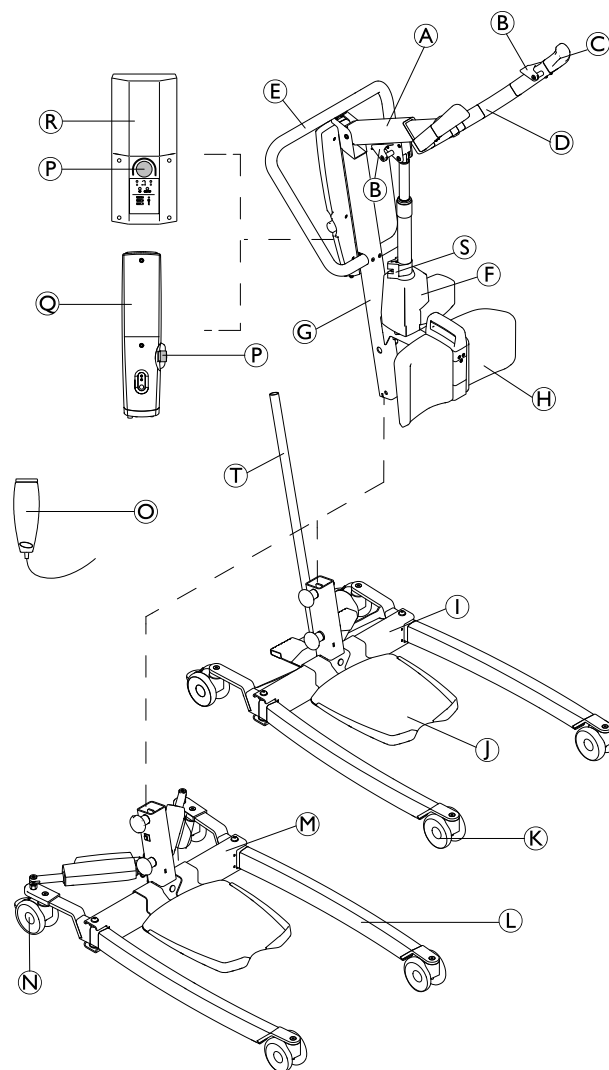
### Contraindicaciones

La grúa de bipedestación está contraindicada en pacientes que:

- no colaboran
- no son capaces de comprender y seguir las instrucciones
- no controlan la cabeza y el cuello
- no tienen una estabilidad razonable del tronco

Algunas eslingas diseñadas para la grúa de bipedestación están contraindicadas para su uso con pacientes que no pueden soportar la mayoría de su peso. Para obtener más información, consulte el manual del usuario de la eslinga.

### 3.2 Partes principales de la grúa



(A)	Brazo
(B)	Gancho de la eslinga
(C)	Empuñadura
(D)	Brazo de elevación
(E)	Barra de empuje
(F)	Pistón de elevación
(G)	Mástil
(H)	Soporte de pantorrillas (fijo o basculante)
(I)	Base con pedal para la apertura de patas manual
(J)	Placa de bipedestación (elevada, baja o con inclinación)
(K)	Ruedas delanteras
(L)	Pata
(M)	Base con pistones para la apertura de patas eléctrica (con o sin cobertura para los pistones)
(N)	Ruedas traseras con freno
(O)	Mando
(P)	Parada de emergencia
(Q)	Unidad de control CBJ Home con batería integrada

®	Unidad de control CBJ Care, CBJ1 o CBJ2 con batería extraíble
Ⓢ	Bajada mecánica de emergencia
Ⓣ	Palanca de apertura de patas manual

- Protección de patas
- Cincha sujeta pantorrillas
- Cargador de pared para batería extraíble
- Batería adicional
- Placa de bipedestación adicional (elevada, baja o con inclinación)

### 3.3 Accesorios



Dadas las diferencias regionales existentes, consulte en el sitio web o en el catálogo local de Invacare información sobre los accesorios disponibles o póngase en contacto con el proveedor de Invacare.

- Palanca de apertura de patas manual

Modelos de eslinga con anillas adecuadas para ganchos como puntos de sujeción:

- Invacare® Eslinga Transferencia de Pie (Europa) / Invacare® Eslinga Standup (Asia-Pacífico): 2 puntos de fijación con soporte para la espalda.
- Invacare® Eslinga de Transferencia Sentado: 4 puntos de fijación con soporte para espalda y piernas.



## 4 Instalación

### 4.1 Información general de seguridad



**¡ADVERTENCIA!**

- Compruebe que todas las piezas le hayan sido entregadas en perfecto estado antes de usarlas.
- Si observa algún desperfecto, no utilice el producto. Póngase en contacto con el proveedor de Invacare para obtener más instrucciones.



**¡ADVERTENCIA!**

**Riesgo de lesiones**

- Un montaje incorrecto podría provocar daños o lesiones.
- Cuando monte esta grúa de elevación, utilice únicamente piezas Invacare.
  - Después de cada montaje, compruebe que todas las fijaciones están bien apretadas y que todas las piezas funcionan correctamente.
  - No apriete excesivamente los componentes de montaje. Podría dañar el soporte de montaje.

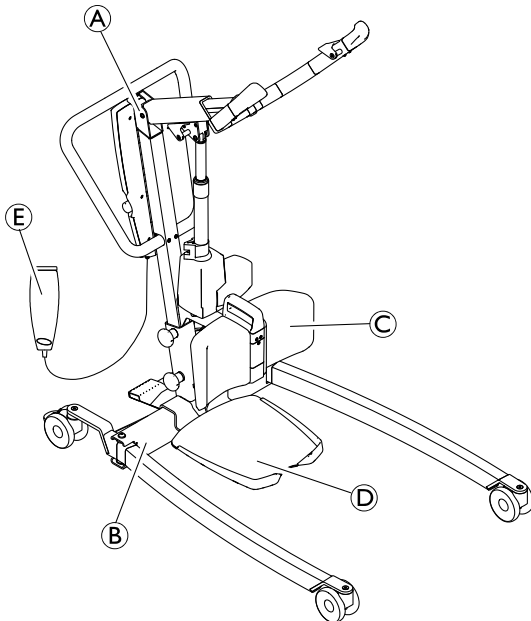


No se necesitan herramientas para montar la grúa de elevación.

Si tiene algún problema o duda durante el montaje, póngase en contacto con el proveedor de Invacare.

### 4.2 Contenido de la entrega

Los artículos incluidos en el embalaje dependen de los modelos y de las configuraciones disponibles en su país. Consulte 1.1 Introducción, página 66



Ⓐ	Mástil / conjunto del brazo (1 unidad): incluye unidad de control y pistón
Ⓑ	Base con o sin pistones (1 unidad)
Ⓒ	Soporte de pantorrillas
Ⓓ	Placa de bipedestación

Ⓔ	Mando (1 unidad)
	Cable de alimentación (1 unidad)
	Manual del usuario (1 unidad)
	Batería (1 unidad o 2 unidades)*; solo CBJ Care, CBJ1 y CBJ2
	Palanca de apertura de patas manual (1 unidad)*
	Banda para las piernas (1 unidad)*
	Eslinga (1 unidad)*

\* Depende del modelo y/o la configuración



Si la grúa se suministra con una eslinga, consulte en el manual del usuario de la eslinga las instrucciones de uso, aplicación, mantenimiento y limpieza.

### 4.3 Montaje del mástil en la base

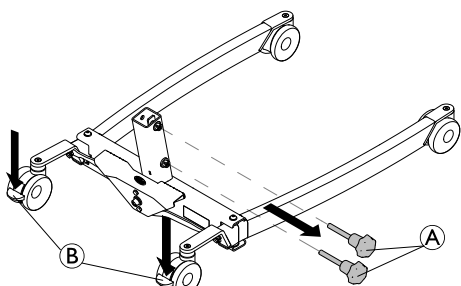


**¡ADVERTENCIA!**

**Riesgo de daños o lesiones**

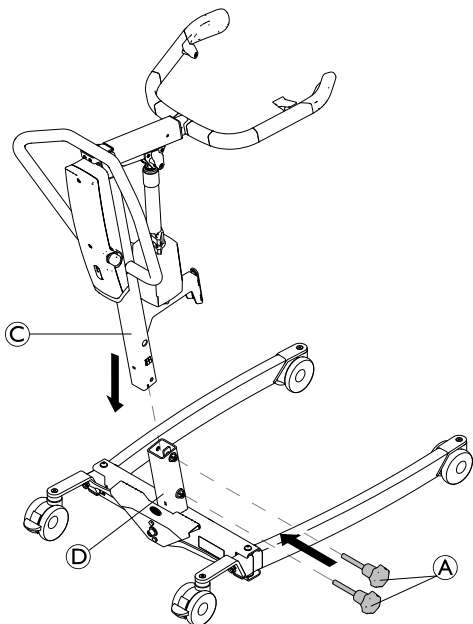
- La carga máxima de utilización segura indicada en la base y en el brazo debe ser la misma.
- Compare siempre los valores de carga máxima de utilización segura indicada en la base y en el brazo.

1.



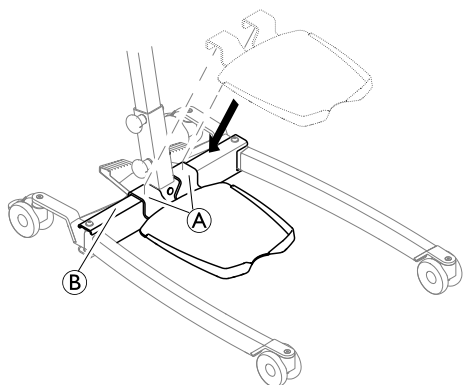
Bloquee las dos ruedas traseras ② y gire las palomillas hacia la izquierda ① para extraerlos de la base

2.



Con el brazo orientado hacia delante, baje el mástil ③ e insértelo en el soporte de la base ④. A continuación, vuelva a colocar las palomillas ① para fijar el mástil ③ a la base.

#### 4.4 Instalación de la placa de bipedestación



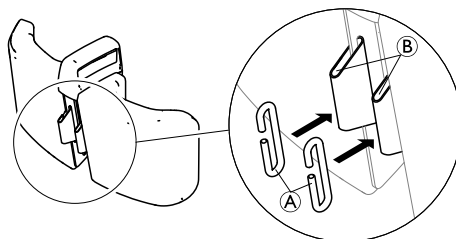
1. Baje la placa de bipedestación sobre la base hasta que los soportes ① encajen completamente en el tubo ②.

#### 4.5 Instalación de las cincha sujeción de piernas

(opcional)

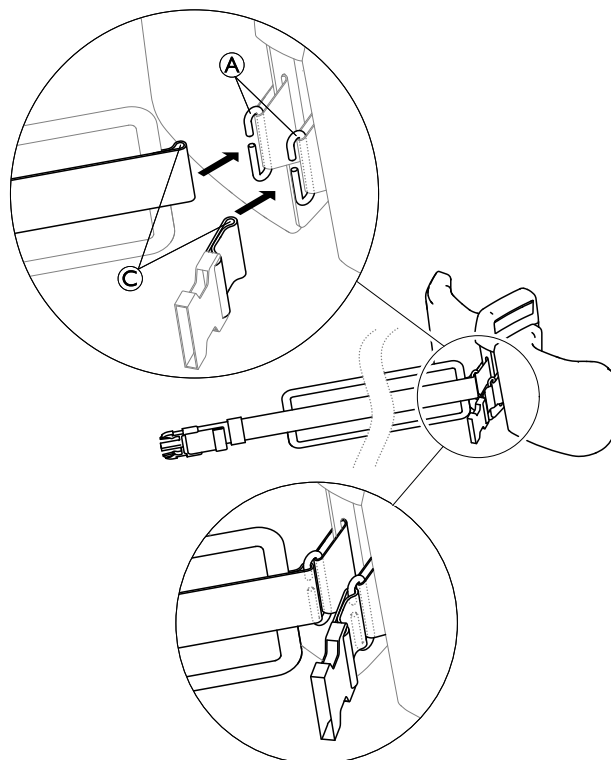
Las dos piezas de la cincha sujeción de piernas se sujetan en la parte posterior del soporte de pantorrillas.

1.



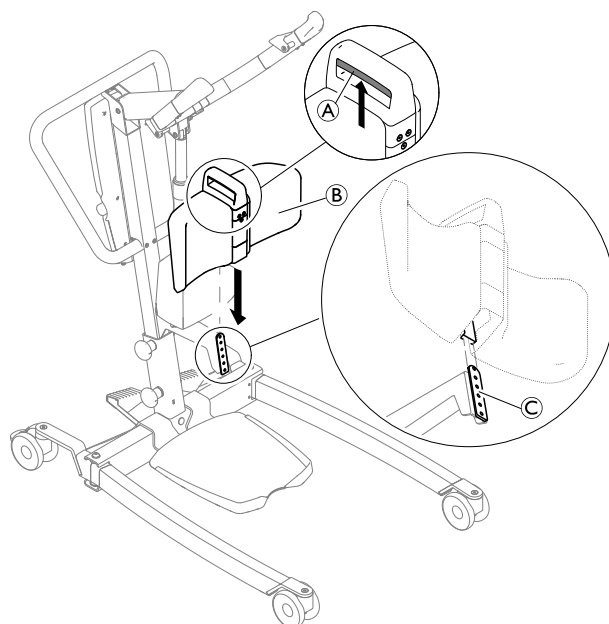
Ensarte los dos ganchos ① en los terminales ② situados en la parte posterior del soporte de pantorrillas.

2.




Ensarte las anillas ③ de las dos piezas de la cincha sujeta piernas en los ganchos ①.

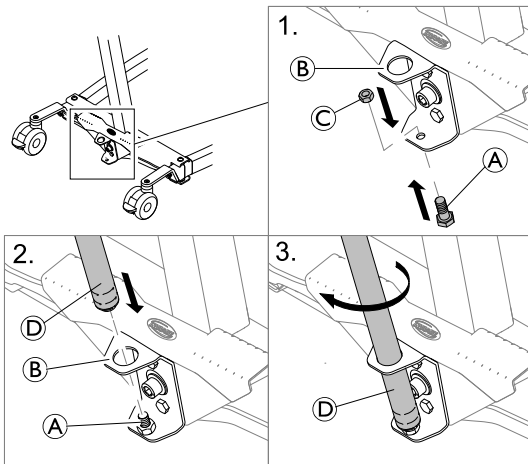
#### 4.6 Instalación del soporte de pantorrillas



1. Presione y mantenga presionada hacia arriba la palanca **A** del soporte de pantorrillas **B**.
2. Deslice la guía en la parte posterior del soporte de pantorrillas **B** en la placa de montaje **C** situada en el mástil.
3. Cuando alcance la altura deseada, suelte la palanca **A** y mueva ligeramente el soporte de pantorrillas **B** arriba y abajo hasta que oiga un clic y el soporte de pantorrillas **B** esté bloqueado en una de las 6 alturas disponibles.

## 4.7 Instalación de la palanca para apertura de patas manual

 Dos llaves inglesas de 13 mm



1. Introduzca el tornillo **A** por abajo en el orificio inferior del soporte **B** y fíjelo con la tuerca **C**.
2. Introduzca el extremo roscado de la palanca **D** a través del orificio superior del soporte **B** en el tornillo fijo **A**.
3. Gire la palanca **D** hacia la derecha para apretarla en el tornillo.

## 4.8 Restablecimiento del indicador de servicio

(solo en la unidad de control CBJ Care)



### IMPORTANTE

Si la luz de servicio parpadea en color amarillo durante el uso diario o después de una operación de montaje, es necesario reparar la grúa.

– Póngase en contacto con el proveedor de Invacare para obtener asistencia.

Cuando se monta por primera vez la grúa, el indicador de servicio parpadea en amarillo y debe restablecerse antes de poder utilizar la grúa.

Para efectuar el restablecimiento inicial del indicador de servicio:

1. Localice el mando.
2. Mantenga pulsados al mismo tiempo los botones ARRIBA y ABAJO durante cinco segundos.
3. Escuchará un sonido cuando el indicador de servicio se haya restablecido.

## 5 Utilización

### 5.1 Información general de seguridad



#### ¡ADVERTENCIA!

##### Riesgo de daños o lesiones

Antes de utilizar la grúa con un paciente, consulte las siguientes instrucciones y procedimientos de seguridad:

- 2 Seguridad, página 67
- 6 Traslado de pacientes, página 82

### 5.2 Bloqueo y desbloqueo de las ruedas traseras

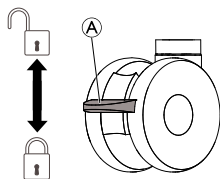


#### ¡ADVERTENCIA!

##### Riesgo de daños o lesiones

La grúa podría volcar y poner en peligro al paciente y a los cuidadores.

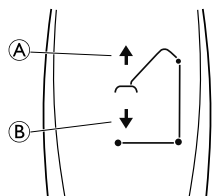
- Invacare recomienda que las ruedas traseras permanezcan desbloqueadas durante los procedimientos de elevación para que la grúa de elevación pueda estabilizarse cuando se levanta inicialmente al paciente de una silla, una cama o cualquier objeto fijo.
- Invacare solamente recomienda bloquear las ruedas traseras de la grúa al colocar la eslinga alrededor del paciente o retirarla.



- Para bloquear la rueda, presione hacia abajo el pedal **A** con el pie.
- Para desbloquear la rueda, presione hacia arriba el pedal **A** con el pie.

### 5.3 Subida/bajada de una grúa eléctrica

El mando se utiliza para subir o bajar la grúa.



1. Para subir la grúa, mantenga pulsado el botón ARRIBA **A** para subir el brazo y levantar al paciente.
2. Para bajar la grúa, mantenga pulsado el botón ABAJO **B** para bajar el brazo y al paciente.



Suelte el botón para interrumpir el movimiento de subida o bajada de la grúa.

### 5.4 Apertura y cierre de las patas



#### ¡ADVERTENCIA!

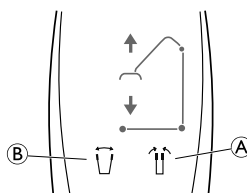
##### Riesgo de lesiones

La grúa podría voltear y poner en peligro tanto al paciente como al cuidador.

- Las patas de la grúa deben estar totalmente abiertas para una óptima estabilidad y seguridad. Si es necesario cerrar las patas de la grúa para maniobrar bajo la cama, hágalo únicamente para colocar la grúa sobre la cama y levantar al paciente sobre la superficie de la cama. Cuando las patas de la grúa no estén ya bajo la cama, vuelva a abrirlas al máximo.

#### 5.4.1 Apertura y cierre de las patas eléctricas

El mando se utiliza para abrir o cerrar las patas de la base.

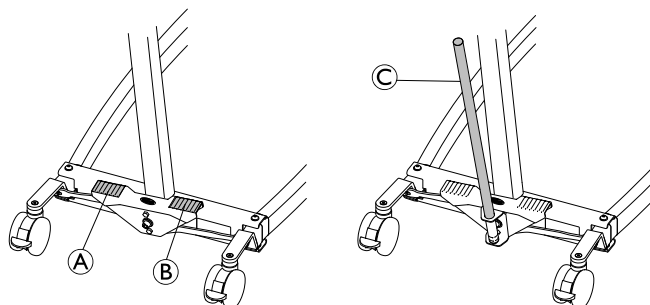


1. Para cerrar las patas, mantenga pulsado el botón de patas cerradas **A**.
2. Para abrir las patas, mantenga pulsado el botón de patas abiertas **B**.



Las patas dejarán de moverse cuando se suelte el botón.

#### 5.4.2 Apertura y cierre de las patas manualmente



La apertura de patas manual funciona con dos pedales (**A** y **B**) o con la palanca **C**.

1. Para abrir las patas, presione el pedal derecho **B** con un pie.
2. Para cerrarlas, presione el pedal izquierdo **A** con un pie.

Con la palanca:

1. Para abrir las patas, tire de la palanca **C** hacia la derecha.
2. Para cerrar las patas, presione la palanca **C** hacia la izquierda.

## 5.5 Ajuste del brazo de elevación a la altura del paciente



### ¡PRECAUCIÓN!

#### Riesgo de daños o lesiones

Si la posición del brazo no es correcta puede provocar que el brazo de elevación se deslice repentinamente hacia adentro o hacia afuera al desbloquearlo.

- Siempre ajuste el brazo de elevación cuando esté sin carga y con el brazo en posición horizontal.

El principal criterio de ajuste es la altura del paciente, aunque la posición correcta también depende de factores como la longitud de las anillas de la eslinga, del estado del paciente y de las preferencias personales.

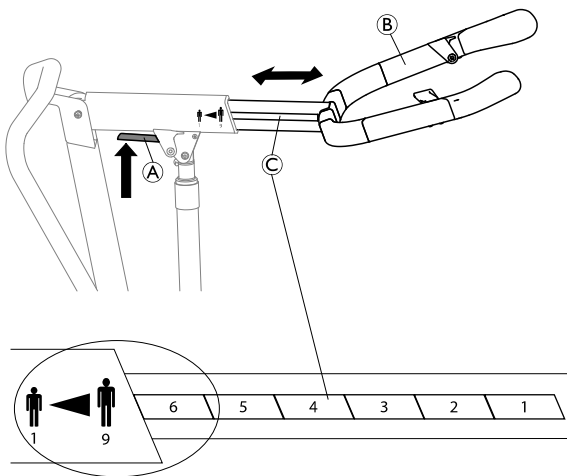
Las siguientes instrucciones se basan en valores medios y pueden y se producirán desviaciones:

- Posición 1 (totalmente recogida): pacientes con altura mínima de 140 cm y más.
- Posición 5: pacientes con altura mínima de 170 cm y más.
- Posición 9 (totalmente extendido): pacientes con una altura alrededor de 200 cm.



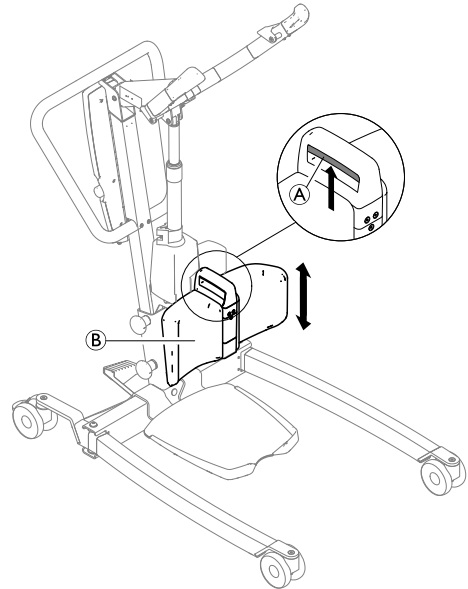
### ¡ IMPORTANTE

Se recomienda realizar una prueba personalizada para determinar un ajuste correcto y seguro para cada paciente.



1. Presione y mantenga presionada la palanca roja **A** del brazo.
2. Ajuste la longitud del brazo de elevación **B** en una de las nueve posiciones disponibles indicadas en la escala **C**, colocando la posición deseada en el borde del brazo.
3. Suelte la palanca de **A** y mueva ligeramente la palanca **B** adelante y atrás hasta que oiga un clic y quede bloqueada en la posición deseada.

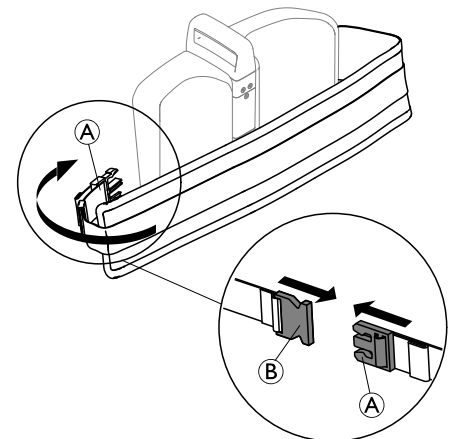
## 5.6 Ajuste de la altura del soporte de pantorrillas



1. Presione y mantenga presionada hacia arriba la palanca **A** del soporte de pantorrillas **B**.
2. Deslice el soporte de pantorrillas **B** hacia arriba o hacia abajo.
3. Cuando alcance la altura deseada, suelte la palanca **A** y mueva ligeramente el soporte de pantorrillas **B** arriba y abajo hasta que oiga un clic y el soporte de pantorrillas **B** esté bloqueado en una de las 6 alturas disponibles.

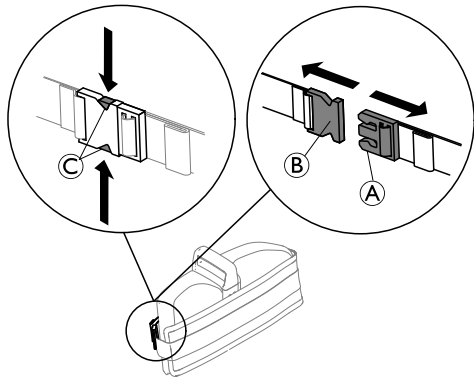
## 5.7 Utilización de la cincha sujeción de piernas

- 1.



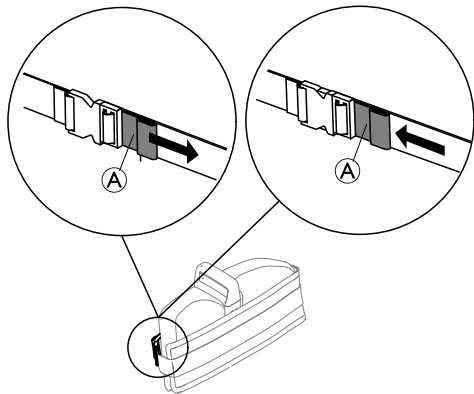
Para colocar la cincha sujeción de piernas, pase la parte larga acolchada alrededor del soporte de pantorrillas y las extremidades del paciente y envuélvalas e introduzca el cierre **A** en la hebilla **B** situada en la parte posterior del soporte de pantorrillas.

- 2.



Para abrirla, pulse el mecanismo de liberación © y tire del cierre ① para sacarlo de la hebilla ②.

3.

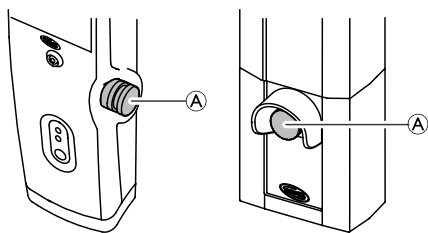


Para ajustar la longitud de la banda para las piernas, tire de la lengüeta ① para acortarla o empuje la lengüeta ① hacia la hebilla para prolongarla.

**i** Cuando no haya ningún paciente en la grúa, pase la cincha sujeta pantorrillas alrededor del soporte de pantorrillas, ciérrela y acórtela para apretar.

## 5.8 Funciones de emergencia

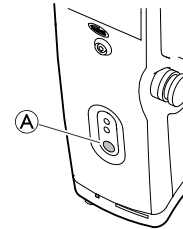
### 5.8.1 Realización de una parada de emergencia



1. Presione el botón de emergencia rojo ① de la unidad de control para detener el brazo e impedir que le paciente suba o baje.
2. Para desactivar la parada de emergencia, gire el botón de emergencia en el sentido de las agujas del reloj.

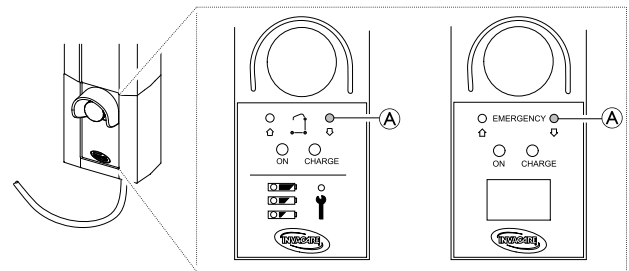
### 5.8.2 Activación de una bajada de emergencia (unidad de control CBJ Home)

Si falla el mando a distancia, el brazo puede bajar con el botón circular para realizar una liberación de emergencia.



1. Baje el brazo manteniendo pulsado el botón ① situado en la parte delantera de la unidad de control.
2. Interrumpa la bajada del brazo soltando el botón.

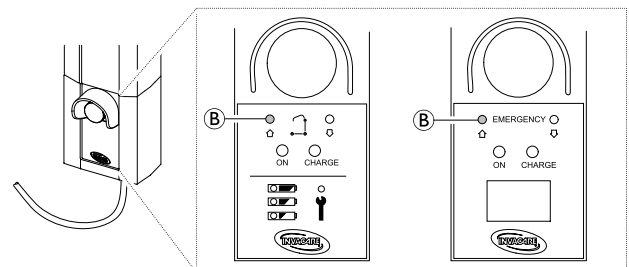
### 5.8.3 Activación de una bajada de emergencia (unidad de control CBJ Care, CBJ1, CBJ2)



Si falla el mando a distancia, el brazo puede bajar con el botón circular para realizar una liberación de emergencia. Utilice un objeto afilado, como un lápiz, para presionar el botón.

1. Baje el brazo manteniendo pulsado el botón ① situado en la parte delantera de la unidad de control.
2. Interrumpa la bajada del brazo soltando el botón.

### 5.8.4 Activación de la subida de emergencia (unidad de control CBJ Care, CBJ1)



En caso de que falle el mando, el brazo puede levantarse con el botón circular de subida de emergencia. Utilice un objeto afilado, como un lápiz, para presionar el botón.

1. Para subir el brazo, mantenga pulsado el botón ② situado en la parte delantera de la unidad de control.
2. Para interrumpir la subida del brazo, suelte el botón.

### 5.8.5 Activación de un mecanismo de bajada de emergencia

Si la bajada de emergencia de la unidad de control no funciona, dispone alternativamente de una bajada de emergencia mecánica. Esto puede producirse en caso de un fallo de alimentación total o parcial, o bien si queda poca batería durante el uso.



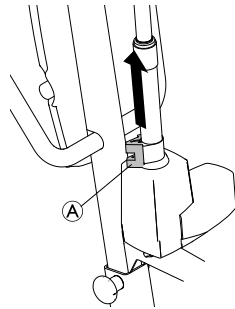
### ¡ADVERTENCIA!

#### Riesgo de daños o lesiones

Si se utiliza repetidamente la bajada de emergencia mecánica, se produce un aumento de la velocidad de bajada.

- Utilice la bajada de emergencia mecánica únicamente como alternativa si la bajada de emergencia de la unidad de control no funciona.
- No utilice la bajada de emergencia mecánica varias veces seguidas.
- Baje siempre al paciente sobre una superficie de apoyo, como una cama o una silla.
- Después de que haya sido necesaria una bajada de emergencia mecánica, compruebe la grúa para solucionar el funcionamiento deficiente de la unidad de control.

1. Localice el asa de emergencia roja (A) en la parte inferior del pistón.
2. Tire lentamente hacia arriba del asa de emergencia roja (A) y manténgala en esa posición cuando se alcance una velocidad de bajada segura.
3. Si no se produce la bajada tirando totalmente del asa de emergencia (A), presione hacia abajo el brazo al mismo tiempo.



La velocidad de bajada eficaz depende del peso del paciente. Si la velocidad es demasiado baja o demasiado alta, se puede adaptar al peso del paciente.

Ajuste de la velocidad de bajada:

1. Localice el tornillo situado en el orificio inferior del asa de emergencia roja (A).
2. Gire el tornillo hacia la izquierda para aumentar la velocidad.
3. Gire el tornillo a la derecha para reducir la velocidad.

## 5.9 Carga de la batería



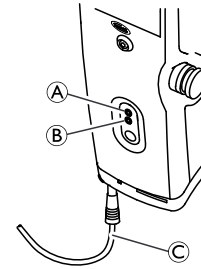
### ¡ IMPORTANTE

- Asegúrese de que la parada de emergencia no esté activada durante la carga de la batería.
- Asegúrese de que la carga tenga lugar en una habitación con buena ventilación.
- Las funciones eléctricas no están operativas cuando la grúa está conectada a la corriente.
- No intente utilizar la grúa si la carcasa de la batería está deteriorada.
- Sustituya la carcasa antes de utilizar el dispositivo de nuevo.
- No mueva la grúa sin desconectarla de la toma de corriente.

Se recomienda cargar la batería diariamente para prolongar su vida útil y garantizar un óptimo funcionamiento de la grúa. Asimismo, se recomienda cargar la batería antes de usarla por primera vez.

### 5.9.1 Unidad de control CBJ Home

La unidad de control emite una señal acústica. Un pitido indica que la batería tiene baja capacidad, pero aún es posible bajar al paciente. Se recomienda cargar las baterías en cuanto se escuche la señal acústica.



1. Enchufe el cable de alimentación (C) en una toma eléctrica.



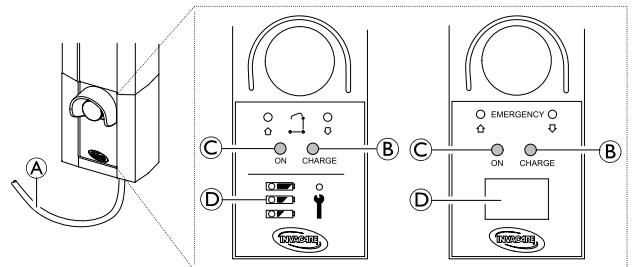
La batería tardará aproximadamente 4 horas en cargarse. El cargador se detendrá automáticamente cuando las baterías estén completamente cargadas.

El diodo amarillo superior (A) parpadeará durante la carga y se quedará encendido cuando las baterías estén completamente cargadas.

El diodo verde inferior (B) permanecerá encendido mientras la unidad de control esté conectada a la red eléctrica y se encenderá cuando se pulse cualquier botón del mando a distancia o cuando se active la bajada eléctrica de emergencia.

2. Desconecte el cable de alimentación de la toma eléctrica cuando la batería se haya cargado por completo.

### 5.9.2 Unidad de control CBJ Care, CBJ1 y CBJ2



La unidad de control emite una señal acústica. Un pitido indica que la batería tiene baja capacidad, pero aún es posible bajar al paciente. Se recomienda cargar las baterías en cuanto se escuche la señal acústica.

1. Enchufe el cable de alimentación (A) en una toma eléctrica.




La batería tardará aproximadamente 4 horas en cargarse. El cargador se detendrá automáticamente cuando las baterías estén completamente cargadas.

El diodo amarillo de la derecha (B) se mantendrá encendido durante la carga y se apagará cuando el dispositivo esté completamente cargado.

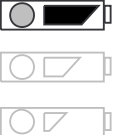
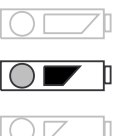

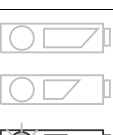
El diodo verde de la izquierda (C) permanecerá encendido mientras la unidad de control esté conectada a la red eléctrica.

2. Desconecte el cable de alimentación (A) de la toma eléctrica cuando la batería se haya cargado por completo.

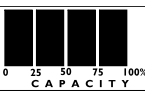
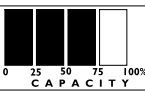
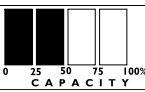
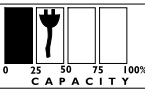
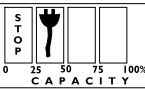
## Indicador de la batería

La unidad de control puede estar equipada con un indicador  que informa de la capacidad restante de la batería.

### CBJ Care





Tipo de indicador de la batería	Estado de la batería	Descripción
	Carga completa	El estado de la batería es correcto: no es necesario cargarla (100–50 %). El indicador LED superior es VERDE.
	Carga parcial	La batería debe cargarse (50–25 %). El LED del centro es AMARILLO.
	Carga baja	La batería debe cargarse (menos del 25 %). Cuando se pulsa un botón, suena una señal acústica. El indicador LED inferior es AMARILLO.
	Carga bajo (el indicador LED parpadea)	La batería debe cargarse. Algunas de las funciones de la grúa han dejado de estar operativas y solo se puede bajar el brazo.

### CBJ1 y CBJ2 con LCD

Tipo de indicador de la batería	Estado de la batería	Descripción
	Carga completa (100 %)	El estado de la batería es correcto: no es necesario cargarla (100 %).
	Carga parcial (75 %)	El estado de la batería es correcto: no es necesario cargarla (75 %).
	Carga parcial (50 %)	La batería debe cargarse (50 %).
	Carga baja (25 %)	La batería debe cargarse (25 %). Cuando se pulsa un botón, suena una señal acústica.
	Carga baja (0 %)	La batería debe cargarse. Algunas de las funciones de la grúa han dejado de estar operativas y solo se puede bajar el brazo.


## Mando opcional

Con la unidad CBJ Care se ofrece un mando opcional con el indicador de batería.

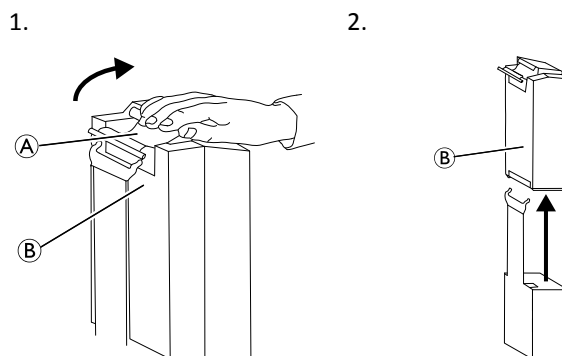
Tipo de indicador de batería	Estado de la batería	Descripción
	Carga completa	El estado de la batería es correcto, no es necesario cargar (100–50 %). El LED derecho se ilumina en VERDE.
	Carga parcial	La batería debe cargarse (50–25 %). El LED del centro se ilumina en AMARILLO.
	Carga baja	La batería debe cargarse (menos del 25 %). Cuando se pulsa un botón, se produce una señal acústica. El LED de la izquierda se ilumina en AMARILLO.
	Carga baja (el indicador LED parpadea)	La batería debe cargarse. Se ha perdido parte de la funcionalidad de la grúa y solo se puede bajar el brazo.

## 5.9.3 Cargador de batería opcional

(solo para unidades de control con baterías desmontables)

-  El procedimiento para extraer o instalar la batería es el mismo en la unidad de control y el cargador.

### Extracción de la batería



- Levante el asidero **A** situado en la parte posterior de la batería **B**.
- Levante la batería para sacarla de la unidad de control o del cargador.

### Instalación de la batería

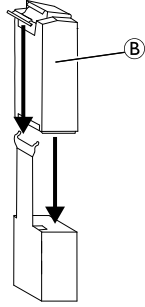


#### ¡PRECAUCIÓN!

La instalación incorrecta de la batería puede causar daños o lesiones.  
 – Asegúrese de que se oye un “clic” al instalar la batería en la unidad de control o el cargador, lo que indicará que la instalación es correcta.



1. Coloque la batería ② en la unidad de control o el cargador como se indica y asegúrese de que se oye un "clic".



Cuando la batería esté instalada en el cargador, se iluminará el LED de carga. Cuando la carga se haya completado, el LED se apagará.

La recarga completa de la batería tarda aproximadamente cuatro horas.

## 6 Traslado de pacientes

### 6.1 Información general de seguridad



#### ¡ADVERTENCIA!

##### Riesgo de daños o lesiones

- Un uso incorrecto de este producto puede provocar lesiones o daños.
- Antes de iniciar el traslado hacia un objeto fijo (una silla de ruedas, una cama, un inodoro u otra superficie) asegúrese de que dicho objeto tiene capacidad suficiente para soportar el peso del paciente.
  - Si procede, será necesario bloquear los frenos el objeto fijo (silla de ruedas, cama, etc.) antes de bajar o elevar al paciente.
  - Si utiliza la grúa junto con camas o sillas de ruedas, tenga en cuenta la posición de la misma en relación con dichos dispositivos de forma que no se enreden.
  - Antes de situar las patas de la grúa bajo una cama, asegúrese de que no haya obstáculos.



#### ¡ADVERTENCIA!

##### Riesgo de daños o lesiones

- Un uso incorrecto de este producto puede provocar lesiones o daños.
- Utilice en todo momento las barras de empuje del mástil para empujar la grúa o tirar de ella.
  - Evite utilizar la grúa en superficies inclinadas. Invacare recomienda utilizar el producto únicamente en superficies planas.
  - Durante el traslado, mientras el paciente esté suspendido de una eslinga sujeta a la grúa, no lleve la grúa por superficies irregulares que puedan provocar que vuelque.
  - Durante el traslado, estando el paciente suspendido en la eslinga, mantenga las patas totalmente abiertas para asegurar una estabilidad óptima. Si fuera necesario pasar por un espacio estrecho, cierre las patas cuando sea ineludible y vuelva a la posición de apertura máxima lo antes posible.



#### ¡ADVERTENCIA!

##### Riesgo de daños o lesiones

- Los daños que sufran las piezas de la grúa (mando, ruedas, etc.) provocados por el impacto contra el suelo, paredes u otros objetos fijos podrían dañar el producto y causar lesiones.
- No permita que las piezas de la grúa golpeen contra el suelo, las paredes u otros objetos fijos.
  - Guarde siempre el mando adecuadamente cuando no lo use.



#### ¡ADVERTENCIA!

##### Riesgo de lesiones

- El paciente y/o el auxiliar podrían sufrir lesiones
- Tenga siempre en cuenta la posición del brazo de elevación y del paciente.
  - Tenga siempre en cuenta la posición de la placa de bipedestación, sobre todo la posición del paciente en la placa de bipedestación.
  - Antes de colocar las patas de la grúa alrededor del paciente, asegúrese de que los pies del paciente estén alejados de la placa de bipedestación.
  - Asegúrese de que la placa de bipedestación o los pies del paciente estén secos antes de realizar un traslado.



#### ¡ADVERTENCIA!

##### Riesgo de atrapamiento o estrangulación

- El cable del mando puede causar lesiones si no está correctamente colocado y sujeto.
- Esté siempre atento a la posición del cable del mando con respecto al paciente y a los cuidadores.
  - No permita que el cable del mando se enrede alrededor del paciente y de los cuidadores.
  - El mando se debe estar correctamente sujeto. Guarde siempre el mando adecuadamente cuando no lo use.



#### ¡ADVERTENCIA!

##### Riesgo de atrapamiento o estrangulación

- Los objetos que se encuentran alrededor del paciente pueden causar su atrapamiento o estrangulación durante la elevación. Para evitar atrapamientos o estrangulaciones:
- Antes de proceder a la elevación, asegúrese de que el paciente no esté enredado en ningún objeto de su alrededor.



#### ¡ADVERTENCIA!

##### Riesgo de atrapamiento

- Hay riesgo de atrapamiento entre los ganchos y la eslinga.
- Extreme las precauciones a la hora de levantar al paciente.
  - No ponga nunca las manos o los dedos sobre los ganchos o cerca de estos cuando esté levantando al paciente.
  - Asegúrese de que las manos y los dedos del paciente estén alejados de los ganchos antes de proceder a levantarlo.



#### ¡ADVERTENCIA!

##### Riesgo de lesiones

- El paciente y/o el auxiliar podrían sufrir lesiones:
- Si el brazo de elevación o el soporte para las piernas no están correctamente ajustados a la altura del paciente.
  - Si el brazo de elevación no está bloqueado, o si está dañado o sus piezas están desgastadas.

**! IMPORTANTE**

Todos los procedimientos de traslado que se describen a continuación pueden realizarse con un (1) único asistente. Sin embargo, Invacare recomienda que, siempre que sea posible, estos procedimientos los realicen dos (2) asistentes.

**i** Eleve al paciente solo lo necesario. Un centro de gravedad bajo proporciona mayor estabilidad, permite que el paciente se sienta más seguro y facilita el traslado de la grúa.

**6.2 Acoplamiento de la eslinga a la grúa****¡ADVERTENCIA!  
Riesgo de lesiones**

Si las eslingas están deterioradas o se han instalado de forma incorrecta, el paciente se podría caer y los cuidadores podrían sufrir daños.

- Utilice una eslinga Invacare aprobada que cuente con la recomendación del médico, el auxiliar o el cuidador para ofrecer seguridad y comodidad al paciente.
- Las eslingas y los accesorios de la grúa han sido diseñados específicamente para utilizarse con las grúas de Invacare.
- Después de cada lavado (que debe realizarse conforme a las instrucciones de la eslinga), inspeccione la eslinga para determinar si está desgastada, desgarrada o tiene costuras sueltas.
- Las eslingas tratadas con lejía, cortadas, desgarradas, deshilachadas o dañadas no son seguras y podrían causar lesiones. Deséchelas de inmediato.
- NO modifique las eslingas.

**¡ADVERTENCIA!  
Riesgo de lesiones**

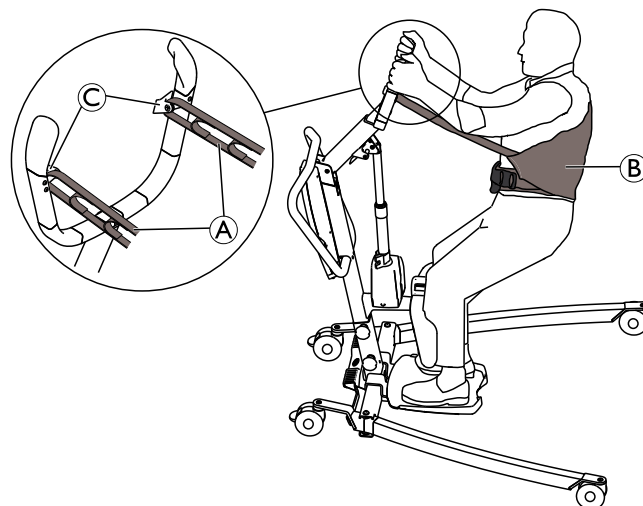
Si las eslingas se han instalado o ajustado de forma incorrecta, el paciente se podría caer o los cuidadores podrían sufrir daños.

- No olvide comprobar las conexiones de la eslinga cada vez que se quite o se ponga, para garantizar que esté correctamente instalada antes de transferir al paciente desde un objeto fijo (cama, silla o inodoro).
- NO use ningún tipo de compresa para incontinencias o cojín de asiento con el dorso de plástico entre el paciente y el material de la eslinga que pueda hacer que el paciente se deslice fuera de la eslinga durante el traslado.
- Coloque al paciente en la eslinga según las instrucciones que se proporcionan con ella.
- Los ajustes para la seguridad y comodidad del paciente deben realizarse antes de trasladar al paciente.

Las anillas de la eslinga pueden tener correas de colores que indican diferentes medidas, lo que permite colocar al paciente en varias posiciones. Haga coincidir los colores de cada lado de la eslinga para que la elevación del paciente esté nivelada.

**Invacare® Eslinga de Transferencia de Pie****¡ADVERTENCIA!  
Riesgo de lesiones**

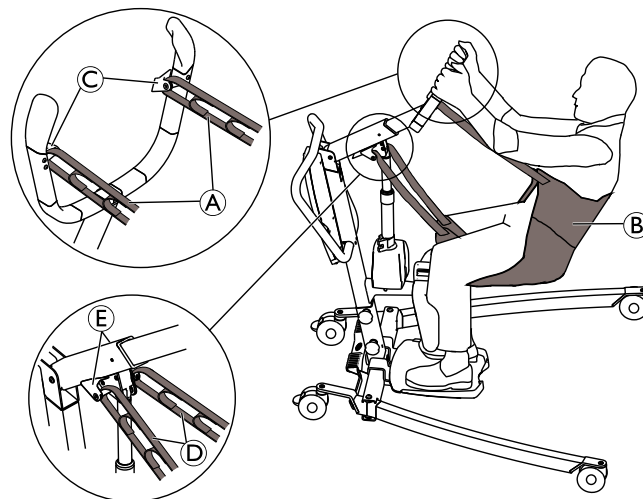
- Al utilizar una eslinga de transferencia de pie el paciente debe ser capaz de soportar la mayoría de su peso.
- Compruebe que el borde inferior de la eslinga de transferencia de pie está colocado en la parte baja de la espalda del paciente y que los brazos del paciente se encuentran fuera de la eslinga.
- El cinturón debe estar ajustado para evitar que el paciente se deslice fuera de la eslinga.



1. Coloque las anillas **A** de la eslinga **B** sobre los ganchos **C** del brazo de elevación.

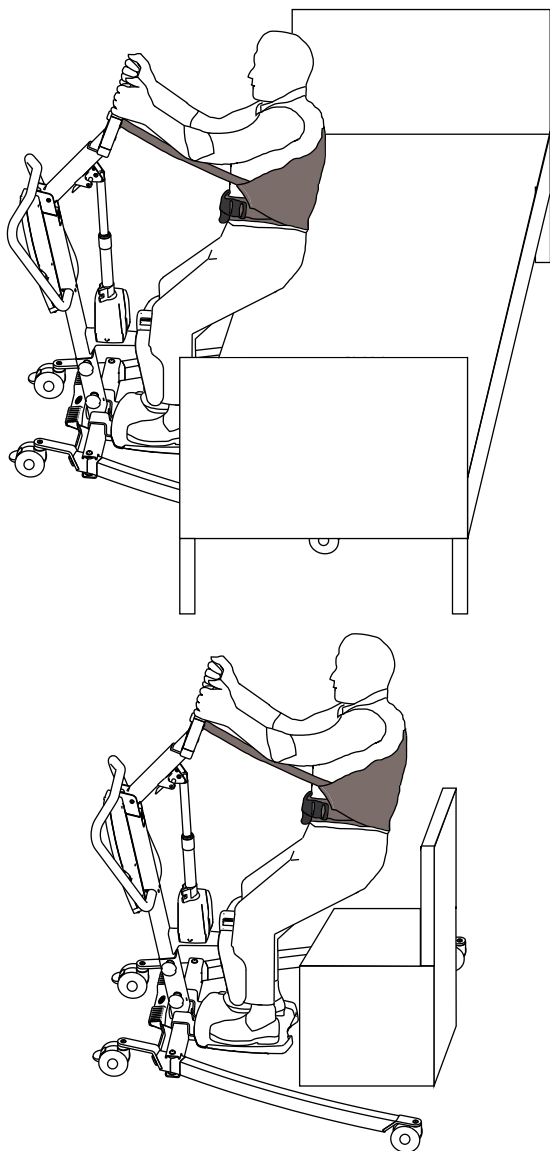
**Invacare® Eslinga de Transferencia Sentado****¡ADVERTENCIA!  
Riesgo de lesiones**

- Compruebe que el borde inferior de la eslinga de transferencia sentado está colocado en la base de la espalda del paciente y que los brazos del paciente se encuentran fuera de la eslinga.
- No levante al paciente hasta una posición totalmente vertical con la eslinga de transferencia sentado.



1. Coloque las anillas superiores (A) de la eslinga (B) sobre los ganchos (C) del brazo de elevación.
2. Coloque las anillas inferiores (D) de la eslinga (B) sobre los ganchos (E) del brazo.

### 6.3 Trasladar un paciente



#### Elevación desde una superficie de asiento

1. Antes de proceder, consulte la información y revise todas las advertencias que se indican en 2 Seguridad, página 67 y 6 Traslado de pacientes, página 82.
2. Si fuera el caso, asegúrese de que los frenos del objeto fijo (cama, silla de ruedas etc.) están activados.
3. Coloque la eslinga alrededor del paciente. Consulte el manual del usuario de la eslinga.
4. Ajuste el brazo de elevación a la altura del paciente, si es necesario. Consulte 5 Utilización, página 76.
5. Desbloquee las ruedas traseras de la grúa. Consulte 5 Utilización, página 76.
6. Abra al máximo las patas de la grúa. Consulte 5 Utilización, página 76.
7. Utilice la barra de empuje para poner la grúa de bipedestación en posición.
  - Para trasladar al paciente desde una cama, coloque las patas de la grúa debajo de la cama
  - Para trasladar al paciente desde una silla de ruedas, inodoro, silla etc., coloque las patas de la grúa a cada lado del objeto fijo.
8. Pida al paciente que coloque los pies en la placa de bipedestación y que apoye las extremidades inferiores en el soporte de pantorrillas. Ayude al paciente si es necesario y asegúrese de que los pies están correctamente colocados en la placa de bipedestación
9. Asegúrese de que el borde superior del cojín del soporte de pantorrillas está colocado unos 2 dedos por debajo de las rodillas (rótula) del paciente. Ajuste la altura del soporte de pantorrillas si es necesario. Consulte 5 Utilización, página 76.
10. Si procede, ajuste y aplique la cincha sujeción de piernas alrededor de las extremidades inferiores del paciente. Consulte 5 Utilización, página 76.
11. Baje la grúa para poder colocar la eslinga con mayor facilidad. Consulte 5 Utilización, página 76.
12. Bloquee las ruedas traseras de la grúa. Consulte 5 Utilización, página 76
13. Acople la eslinga. Consulte 6.2 Acoplamiento de la eslinga a la grúa, página 83
14. Desbloquee las ruedas traseras de la grúa. Consulte 5 Utilización, página 76.
15. Indique al paciente que se sujete a las empuñaduras C situadas a ambos lados del brazo de elevación.
16. Indique al paciente que se recline hacia atrás en la eslinga.
17. Presione el botón con la flecha hacia arriba del mando para elevar al paciente por encima del objeto fijo. Consulte 5 Utilización, página 76
18. Antes de mover al paciente, vuelva a comprobar que la eslinga está bien sujeta a los ganchos del brazo de elevación. Si algún acoplamiento no está convenientemente colocado, vuelva a bajar al paciente hasta el objeto fijo y corrija el problema.
19. Utilizando la barra de empuje, aleje la grúa del objeto fijo.

#### Bajar hacia una superficie de asiento

1. Antes de proceder, consulte la información y revise todas las advertencias que se indican en 2 Seguridad, página 67 y 6 Traslado de pacientes, página 82.
2. Asegúrese de que el paciente esté lo suficientemente elevado para despejar la superficie hacia la que se le traslada. Levante al paciente o baje el objeto fijo, si procede.
3. Si fuera el caso, asegúrese de que los frenos del objeto fijo (cama, silla de ruedas etc.) están activados.
4. Coloque al paciente por encima de la superficie de asiento lo máximo posible.
  - Para trasladar al paciente hacia una cama, coloque las patas de la grúa debajo de la cama
  - Para trasladar a un paciente hacia una silla de ruedas, inodoro, silla etc., coloque las patas de la grúa a cada lado del objeto fijo.
5. Presione el botón con la flecha hacia abajo y baje al paciente sobre la superficie de asiento. Consulte 5 Utilización, página 76
6. Bloquee las ruedas traseras de la grúa. Consulte 5 Utilización, página 76

7. Desenganche la eslinga de todos los puntos de anclaje de la grúa de bipedestación.
8. Si procede, retire la cincha sujeción de piernas de las extremidades inferiores del paciente. Consulte 5 *Utilización, página 76*
9. Indique al paciente que levante los pies de la placa de bipedestación. Ayude al paciente si es necesario.
10. Desbloquee las ruedas traseras de la grúa. Consulte 5 *Utilización, página 76*
11. Retire la grúa del objeto fijo.
12. Retire la eslinga de alrededor del paciente.
  - i El paciente puede permanecer en la Invacare® Eslinga Transferencia de Pie mientras usa el inodoro. En ese caso, la eslinga no se debe volver a colocar alrededor del paciente antes de elevarlo desde el inodoro.

---

## 7 Transporte y almacenamiento

---

### 7.1 Información general

Cuando sea necesario transportar la grúa o no vaya a utilizarse durante un tiempo, el botón de parada de emergencia debe estar pulsado.

Para transportar o guardar la grúa, puede guardarse desmontada en su embalaje.

La grúa debe guardarse a una temperatura ambiente normal. Si se guarda en un entorno húmedo o frío, el motor y otros componentes podrían corroerse. Consulte *11.4 Condiciones ambientales, página 94*.

### 7.2 Desmontaje de la grúa

1. Extraiga la palanca opcional de la apertura de patas si estuviera instalada.
2. Baje el brazo y cierre las patas por completo.
3. Active el botón de parada de emergencia y accione los frenos de las ruedas.
4. Ajuste el brazo de elevación al mínimo. Consulte *5.5 Ajuste del brazo de elevación a la altura del paciente, página 77*.
5. Siga a la inversa el procedimiento descrito en *4.6 Instalación del soporte de pantorrillas, página 74*
6. Siga a la inversa el procedimiento descrito en *4.3 Montaje del mástil en la base, página 73*
7. Siga a la inversa el procedimiento descrito en *4.4 Instalación de la placa de bipedestación, página 74*

## 8 Mantenimiento

### 8.1 Información general sobre mantenimiento



**¡PRECAUCIÓN!**  
**Riesgo de daños o lesiones**

- No realice ningún procedimiento de reparación o mantenimiento mientras el producto esté siendo usado.

Siga los procedimientos de mantenimiento descritos en este manual para garantizar el funcionamiento continuado del producto.

En el manual de servicio de este producto se describen otros procedimientos de inspección y mantenimiento, que deben ser realizados por un técnico cualificado. Invacare puede facilitarle los manuales de servicio.

### 8.2 Inspecciones diarias



**¡ADVERTENCIA!**  
**Riesgo de daños o lesiones**

- El desgaste o deterioro de las piezas puede afectar a la seguridad de la grúa.
- Debe comprobarse la grúa cada vez que se utilice.
  - No utilice la grúa si observa daños o tiene dudas sobre la seguridad de alguna de sus piezas. Póngase en contacto inmediatamente con el proveedor de Invacare y asegúrese de que la grúa no se utiliza hasta que se hayan realizado todas las reparaciones.

#### Lista de verificación de la inspección diaria

- Inspeccione visualmente la grúa. Compruebe si las piezas presentan signos de desgaste o deterioro externo.
- Examine toda la estructura, los puntos de conexión y las piezas sometidas a tensión, como las eslingas, los ganchos y los engranajes, para comprobar si tienen grietas, están deshilachados o presentan signos de deformación o desgaste.
- Compruebe que el mando funcione (movimientos de las patas y de elevación).
- Cargue la batería todos los días que utilice la grúa.
- Compruebe la función de parada de emergencia.
- Compruebe la luz de servicio (solo en la unidad de control CBJ Care).



La luz de servicio viene indicada con el símbolo de una llave inglesa en la unidad de control y, si es aplicable, en el mando.

- Si la luz de servicio parpadea en color amarillo, la grúa debe repararse. No utilice la grúa y póngase en contacto con el proveedor de Invacare para obtener asistencia.
- Si la luz de servicio no parpadea, la grúa está lista para utilizarse.

## 8.3 Limpieza y desinfección

### 8.3.1 Información general de seguridad



**¡PRECAUCIÓN!**  
**Riesgo de contaminación**

- Adopte las precauciones necesarias y utilice el equipo de protección adecuado.



**¡PRECAUCIÓN!**  
**Riesgo de descarga eléctrica y daños en el producto**

- Apague el dispositivo y desconéctelo de la red eléctrica, si procede.
- Al limpiar componentes electrónicos, tenga en cuenta su clase de protección sobre la introducción de agua.
- Asegúrese de que no salpique agua en el enchufe o la toma de pared.
- No toque la toma de corriente con las manos mojadas.



**¡IMPORTANTE**

- Seguir métodos erróneos o utilizar fluidos incorrectos puede dañar o deteriorar el producto.
- Todos los productos de limpieza y desinfectantes empleados deben ser eficaces, compatibles entre sí y deben proteger los materiales que se van a limpiar.
  - Nunca utilice fluidos corrosivos (álcalis, ácidos, etc.) ni productos de limpieza abrasivos. Recomendamos usar un producto de limpieza doméstico normal, como líquido lavavajillas, si no especifica lo contrario en las instrucciones de limpieza.
  - No utilice disolventes (decapantes de celulosa, acetona, etc.) que cambien la estructura del plástico o disuelvan las etiquetas adheridas.
  - Asegúrese siempre de que el producto se ha secado por completo antes de utilizarlo de nuevo.



Para la limpieza y desinfección en entornos clínicos o de atención sanitaria a largo plazo, siga los procedimientos internos.

### 8.3.2 Intervalos de limpieza



**¡IMPORTANTE**

- La limpieza y la desinfección habituales mejoran el correcto funcionamiento, aumentan la vida útil y evitan la contaminación.
- Limpie y desinfecte el producto
- periódicamente mientras esté en uso,
  - antes y después de cualquier procedimiento de mantenimiento,
  - cuando haya estado en contacto con fluidos corporales,
  - antes de usarlo con un nuevo usuario.

### 8.3.3 Instrucciones de limpieza

#### ! IMPORTANTE

- La limpieza del producto no puede realizarse en sistemas de lavado automático, mediante equipos de limpieza de vapor o a presión.

#### Limpieza de la grúa

Método: Limpie con un paño o un cepillo suave húmedo.

Temperatura máxima: 40 °C


Disolvente/productos químicos: utilice agua y los productos habituales de limpieza del hogar.

Secado: seque la superficie húmeda con un paño suave.

#### Limpieza de la eslinga

Consulte las instrucciones de lavado en la eslinga y en su manual para obtener información sobre cómo limpiarla.

### 8.3.4 Instrucciones de desinfección

-  Encontrará más información sobre los desinfectantes y los métodos recomendados en <https://vah-online.de/en/for-users>.

### En la atención domiciliaria

Método: Siga las instrucciones de aplicación del desinfectante y limpie y desinfecte todas las superficies accesibles.

Desinfectante: Desinfectante doméstico habitual.

Secado: Deje que el producto se seque al aire.

### En atención clínica y a largo plazo

Siga los procedimientos de desinfección del centro y utilice exclusivamente los desinfectantes y métodos especificados.

## 8.4 Intervalo de mantenimiento



#### ¡ADVERTENCIA!

#### Riesgo de lesiones o daños

Las tareas de mantenimiento y reparación solo debe efectuarlas un técnico cualificado.

- Póngase en contacto con el proveedor de Invacare para obtener asistencia.

A menos que las normativas locales establezcan lo contrario, las tareas de mantenimiento deben realizarse como mínimo cada 12 meses.



## 9 Después del uso

### 9.1 Eliminación



#### ¡ADVERTENCIA!

#### Riesgo medioambiental

El dispositivo tiene baterías.

Este producto puede contener sustancias que podrían ser perjudiciales para el medio ambiente si se procede a su eliminación en lugares (vertederos) que no sean los idóneos según la legislación.

- NO tire las baterías con la basura doméstica.
- Las baterías DEBERÁN llevarse a un punto limpio adecuado. Entregar las baterías no tiene coste alguno y lo exige la ley.
- Solo tire baterías descargadas.
- Cubra los terminales de las baterías de litio antes de tirarlas.
- Para obtener más información sobre el tipo de batería, consulte la etiqueta de la batería o el capítulo *11 Datos Técnicos, página 92*.

Proteja el medio ambiente y recicle este producto a través de la planta de reciclaje más próxima cuando llegue al final de su vida útil.

Desmonte el producto y sus componentes para separar y reciclar individualmente los diferentes materiales.

La eliminación y el reciclaje de los productos usados y de sus embalajes debe llevarse a cabo conforme a las normativas legales relativas al tratamiento de residuos vigentes en cada país. Póngase en contacto con su empresa de gestión de residuos local para obtener más información al respecto.

### 9.2 Reacondicionamiento

El producto se puede reutilizar. Para reacondicionar el producto para un nuevo usuario, lleve a cabo las siguientes acciones:

- Limpieza y desinfección
- Inspección según el plan de servicio


Para obtener información detallada sobre la inspección, la limpieza y la desinfección, consulte el manual del usuario y el manual de servicio de este producto.

## 10 Solución de problemas

### 10.1 Identificación de fallos y posibles soluciones

Síntomas	Fallos	Solución
La grúa parece estar suelta.	La junta del mástil o de la base está suelta.	Vuelva a apretar la conexión del mástil / base. Consulte <i>4.3 Montaje del mástil en la base, página 73</i>
	Mecanismo de apertura de patas manual suelto	Póngase en contacto con su proveedor de Invacare.
Las ruedas o los frenos suenan o están duros.	Hay pelusas o suciedad en los rodamientos	Limpie las pelusas y la suciedad de las ruedas
	Ruedas / frenos dañados	Póngase en contacto con su proveedor de Invacare.
Los engranajes suenan	Los engranajes están gastados o dañados	Póngase en contacto con su proveedor de Invacare.
El pistón eléctrico no sube o no baja el brazo o las patas no se abren o no se cierran cuando se pulsa el botón	El mando o el conector del pistón están sueltos	Conecte el mando o el conector del pistón. Asegúrese de que los conectores estén bien encajados y conectados
	Batería baja	Cargue la batería. Consulte <i>5.9 Carga de la batería, página 79</i>
	El botón de parada de emergencia está presionado.	Gire el botón de parada de emergencia a la derecha hasta que salte
	La batería no está correctamente conectada a la unidad de control	Vuelva a conectar la batería a la unidad de control. Consulte <i>5.9.3 Cargador de batería opcional, página 80</i>
	Los terminales de conexión están dañados	Póngase en contacto con su proveedor de Invacare.
	El cable de alimentación está conectado a la toma de corriente	Desconecte el cable de alimentación de la toma de corriente
	El pistón del brazo o el pistón de las patas está averiado	Póngase en contacto con su proveedor de Invacare.
	La carga máxima es excesiva	Reduzca la carga (y la grúa funcionará con normalidad)
El pistón emite un ruido inusual	El pistón está averiado	Póngase en contacto con su proveedor de Invacare.
El brazo no baja al activar el dispositivo de liberación de emergencia manual	El brazo necesita una carga mínima para poder descender cuando está completamente elevado	Empuje ligeramente el brazo hacia abajo
La unidad de control emite un pitido durante la elevación y el motor se para	La carga máxima es excesiva	Reduzca la carga (y la grúa funcionará con normalidad)
La batería no carga	El cable de alimentación no está correctamente conectado a la unidad de control o a la toma de corriente	Asegúrese de que los conectores estén bien encajados y conectados. Consulte <i>5.9 Carga de la batería, página 79</i>
	El cable de alimentación está dañado	Póngase en contacto con su proveedor de Invacare.
No se puede ajustar el brazo de elevación	La palanca roja del brazo no puede empujarse y mantenerse arriba	Consulte <i>5.5 Ajuste del brazo de elevación a la altura del paciente, página 77</i>
	El brazo de elevación está en la posición máxima o mínima	Consulte <i>5.5 Ajuste del brazo de elevación a la altura del paciente, página 77</i>
	El mecanismo de ajuste está dañado	Póngase en contacto con su proveedor de Invacare.

Síntomas	Fallos	Solución
	El brazo está en una posición incorrecta	Mueva el brazo en posición horizontal. Consulte <i>5.3 Subida/bajada de una grúa eléctrica, página 76</i>
El soporte de pantorrillas no se puede instalar o ajustar	La empuñadura de desbloqueo no se puede empujar y mantener arriba	Consulte <i>4.6 Instalación del soporte de pantorrillas, página 74</i>
	El mecanismo de ajuste está dañado	Póngase en contacto con su proveedor de Invacare
	La cincha sujeción de piernas obstruye la parte posterior del soporte de pantorrillas	Despeje la parte posterior del soporte de pantorrillas
No puede montarse el mástil en la base	El brazo está orientado en la dirección incorrecta	Ponga el brazo en la posición correcta. Consulte <i>4.3 Montaje del mástil en la base, página 73</i>
La grúa no gira	Las ruedas están bloqueadas	Desbloquee las ruedas traseras. Consulte <i>5.2 Bloqueo y desbloqueo de las ruedas traseras, página 76</i>

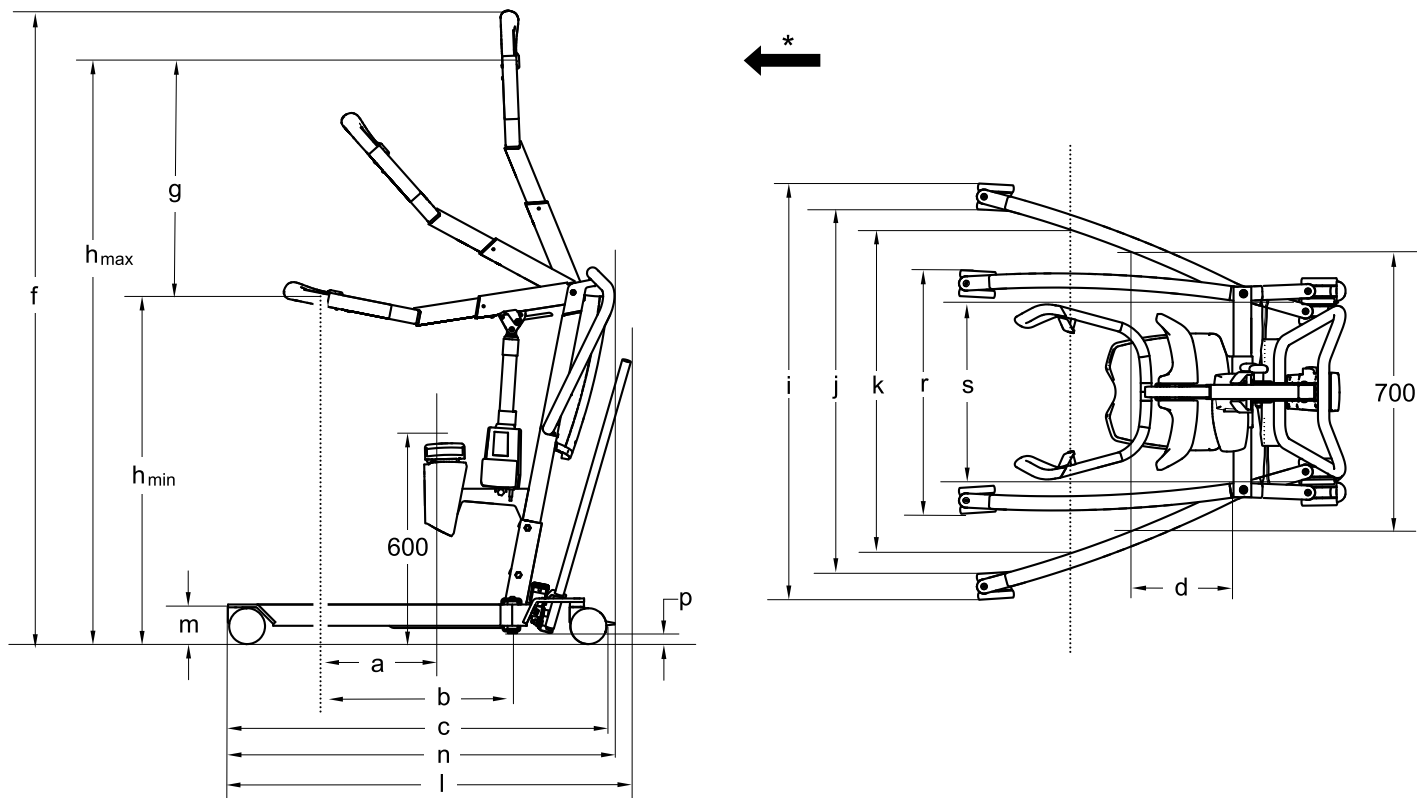
 Póngase en contacto con su proveedor de Invacare si las instrucciones descritas no solucionan el problema.

## 11 Datos Técnicos

### 11.1 Carga máxima de utilización segura

	<b>ISA™ COMPACT</b>	<b>ISA™ STANDARD</b>	<b>ISA™ PLUS</b>	<b>ISA™ XPLUS</b>
Carga máx. de utilización segura (paciente + eslinga)	140 kg	160 kg	180 kg	200 kg

### 11.2 Pesos y dimensiones



\* Dirección de avance

Dimensiones [mm]	ISA™ COMPACT	ISA™ STANDARD	ISA™ PLUS	ISA™ XPLUS	
Diámetro de la rueda delantera/trasera	75 / 75	100 / 100	100 / 100	100 / 125	
Alcance máx. a 600 mm (a)*	110 - 270	110 - 270	110 - 270	110 - 270	
Alcance máx. desde la base (b)*	340 - 500	340 - 500	340 - 500	340 - 500	
Longitud de la base (c)	900	925	1080	1220	
Longitud total sin palanca (n)	925	925	no disponible	no disponible	
Longitud total con palanca (l)*	980 - 1000	980 - 1000	1145	1290	no disponible
Alcance desde la base con las patas extendidas hasta 700 mm (d)	420	420	225	225	225
Altura máx. (f)*	1635 - 1785	1650 - 1800	1650 - 1800	1650 - 1800	1650 - 1800
Rango de elevación (g)*	505 - 675	505 - 675	505 - 675	505 - 675	505 - 675
Altura mín. del gancho de la eslinga (al.mín.)*	945 - 970	960 - 985	960 - 985	960 - 985	960 - 985
Altura máx. del gancho de la eslinga (al.máx.)*	1475 - 1620	1490 - 1635	1490 - 1635	1490 - 1635	1490 - 1635

Dimensiones [mm]	ISA™ COMPACT		ISA™ STANDARD	ISA™ PLUS	ISA™ XPLUS
Anchura total (con las patas abiertas), medida desde el exterior (i)	865	885	1110	1170	1170
Anchura total (con las patas abiertas) medida desde el interior (j)	755	735	960	1020	1020
Anchura total (con las patas cerradas) medida desde el exterior (r)	515	535	635	640	640
Anchura interna mín. (s)	380	380	495	495	495
Anchura interna con la máxima extensión (k)*	640 - 725	640 - 725	775 - 870	775 - 870	775 - 870
Diámetro de giro	1060	1060	1260	1400	1430
Altura al borde superior de las patas (m)	100	115	115	115	115
Altura libre mín. (p)	20	35	35	35	35

\* El rango depende de la posición completamente recogida a la posición completamente extendida del brazo de elevación

Peso de las piezas principales [kg]	ISA™ COMPACT	ISA™ STANDARD	ISA™ PLUS	ISA™ XPLUS
Peso total	43	48	49	52
Peso, mástil, con batería,	19			20
Peso de la sección de las patas manuales	15	20	21	no disponible
Peso de la sección de las patas eléctricas	no disponible	20	21	23
Soporte para las piernas	5			
Placa de bipedestación (elevada, baja o con inclinación)	4			

### 11.3 Sistema eléctrico

	ISA™ COMPACT	ISA™ STANDARD	ISA™ PLUS	ISA™ XPLUS
Tensión de salida	24 V CC			
Tensión de suministro	100 – 240 V CA, 50/60 Hz			
Corriente de entrada máxima	280 mA (en CBJ Home) / 400 mA (en CBJ2)	280 mA (en CBJ Home) / 400 mA (en CBJ1 y CBJ2)	280 mA (en CBJ Home) / 400 mA (en CBJ1, CBJ2 y CBJ Care)	400 mA (en CBJ1 y CBJ care)
Clase de protección (todo el dispositivo)	IPX4*			
Clase de aislamiento	Equipo de clase II			
Parte aplicada de tipo B	Parte aplicada que cumple los requisitos especificados para la protección contra descargas eléctricas según IEC60601-1.			
Nivel acústico	45 – 50 dB (A)			
Capacidad de funcionamiento	82 elevaciones completas (con batería entre 100 % y 50 % de la capacidad total)			
Intermitente (funcionamiento periódico del motor)	10 %, máx. 2 mín. / 18 mín.			
Especificaciones de la batería	2 x 12 V / 2,9 Ah			
Tipo de batería	Ácido de plomo (sin mantenimiento, sellada)			
Bajada de emergencia manual	Sí (en la parte inferior del pistón)			
Bajada / subida eléctrica de emergencia	Sí / No (en CBJ2 y CBJ Home)	Sí / Sí (en CBJ1 Care) / Sí / No (en CBJ2 y CBJ Home)	Sí / Sí (en CBJ1 y CBJ Care) / Sí / No (en CBJ2 y CBJ Home)	Sí / Sí (en CBJ1 y CBJ Care)

\*IPX4: el sistema está protegido contra las salpicaduras de agua procedentes de cualquier dirección.

## 11.4 Condiciones ambientales

	Almacenamiento y transporte	Funcionamiento
Temperatura	De -10 °C a +50 °C	De +5 °C a +40 °C
Humedad relativa	Del 20 % al 90 % a 30 °C, sin condensación	
Presión atmosférica	De 800 hPa a 1060 hPa	



Deje que el producto alcance la temperatura de funcionamiento antes de utilizarlo:

- El calentamiento a partir de la temperatura de almacenamiento mínima puede tardar más de 30 minutos.
- El enfriamiento a partir de la temperatura de almacenamiento máxima puede tardar más de 5 minutos.

## 11.5 Materiales

Componente	Material
Base, patas, mástil y brazo	Acero, pintura por polvo.
Conectores, tornillos y tuercas del brazo	Acero, galvanizadas
Empuñaduras	TPE
Ganchos para la eslinga	TPU
Cojín del soporte de pantorrillas	Selfskin PU

Componente	Material
Recubrimiento de la placa de bipedestación	PVC, PU
Carcasa del pistón, mando, protector del mástil, ruedas y otras piezas de plástico	Material conforme al marcado (PA, PP, PE)
Cincha sujeción de piernas	PA, PES, PVC, PU

Todos los componentes del producto son resistentes a la corrosión o están protegidos contra la corrosión.

## 11.6 Fuerzas de accionamiento de los controles

Control	Fuerza de accionamiento
Botones de la unidad de control	4 N
Botones del mando	4 N
Pedal de ISA™ COMPACT con ruedas de 100 mm*	270 N
Palanca de la apertura de patas de ISA™ COMPACT	64 N
Palanca de la apertura de patas de ISA™ STANDARD	70 N
Palanca de la apertura de patas de ISA™ PLUS	85 N

\* Para el resto de modelos y tamaños de ruedas, es obligatoria una palanca para la apertura de patas manual.

## 12 Compatibilidad electromagnética (EMC)

### 12.1 Información general sobre EMC

Los equipos eléctricos médicos deben instalarse y utilizarse de acuerdo con la información sobre EMC de este manual.

Este equipo se ha probado y cumple con los límites de EMC establecidos por IEC/EN 60601-1-2 para equipos de Clase B.

Los equipos de comunicaciones por radiofrecuencia portátiles y móviles pueden afectar al funcionamiento de este producto.

Otros dispositivos pueden experimentar interferencias provocadas incluso por los bajos niveles de emisiones electromagnéticas permitidos por el estándar anterior. Para determinar si la emisión de este producto es la causa de la interferencia, hágalo funcionar y párelo después. Si la interferencia con el funcionamiento del otro dispositivo se interrumpe, entonces este producto es el causante. En esos casos excepcionales, la interferencia se puede reducir o corregir mediante las siguientes acciones:

- Cambie de posición el equipo, reubíquelo o aumente la separación entre los dispositivos.

### 12.2 Emisiones electromagnéticas

#### Directrices y declaración del fabricante

Este producto se ha diseñado para utilizarse en el entorno electromagnético que se especifica a continuación. El cliente o usuario de este producto debe comprobar que se utiliza en dicho entorno.


Prueba de emisiones	Cumplimiento	Entorno electromagnético: guía
Emisiones de RF CISPR 11	Grupo I	Este producto utiliza energía de RF únicamente para su funcionamiento interno. Por lo tanto, sus emisiones de RF son muy bajas y no es probable que causen interferencias con equipos electrónicos cercanos.
Emisiones de RF CISPR 11	Clase B	Este producto es adecuado para su uso en todos los establecimientos, incluidos los establecimientos domésticos y aquellos conectados directamente a la red pública de suministro de baja tensión que abastece servicios utilizados para fines domésticos.
Emisiones de armónicos IEC 61000-3-2	Clase A	
Fluctuaciones de tensión/emisiones de parpadeo IEC 61000-3-3	Cumple	

### 12.3 Inmunidad electromagnética

#### Directrices y declaración del fabricante

Este producto se ha diseñado para utilizarse en el entorno electromagnético que se especifica a continuación. El cliente o usuario de este producto debe comprobar que se utiliza en dicho entorno.

Prueba de inmunidad	Nivel de prueba/cumplimiento	Entorno electromagnético: guía
Descarga electrostática (ESD) IEC 61000-4-2	± 8 kV contacto ± 2 kV, ± 4 kV, ± 8 kV, ± 15 kV aire	Los suelos deben ser de madera, de cemento o de baldosas de cerámica. Si los suelos están cubiertos con material sintético, la humedad relativa debería ser de al menos un 30 %.
Transitorios y pulsos electrostáticos IEC 61000-4-4	± 2 kV para las líneas de suministro eléctrico; 100 kHz de frecuencia de entrada ± 1 kV para las líneas de suministro de entrada y salida; 100 kHz de frecuencia de entrada	La calidad de la red de suministro eléctrico debería ser la habitual de un entorno comercial u hospitalario.
Sobretensión IEC 61000-4-5	± 1 kV de línea a línea ± 2 kV de línea a toma de tierra	La calidad de la red de suministro eléctrico debería ser la habitual de un entorno comercial u hospitalario.

Prueba de inmunidad	Nivel de prueba/cumplimiento	Entorno electromagnético: guía
Caídas de tensión, interrupciones breves y variaciones de voltaje en las líneas de suministro de entrada IEC 61000-4-11	< 0 % $U_T$ durante 0,5 ciclo en pasos de 45° 0 % $U_T$ durante 1 ciclo 70 % $U_T$ durante 25/30 ciclos < 5 % $U_T$ durante 250/300 ciclos	La calidad de la red de suministro eléctrico debería ser la habitual de un entorno comercial u hospitalario. Si el usuario de este producto necesita que esté operativo durante las interrupciones del suministro de energía, se recomienda alimentar el producto mediante un sistema de alimentación ininterrumpida o una batería.  $U_T$ es el voltaje de corriente alterna de la red antes de la aplicación del nivel de prueba.
Campo magnético de la frecuencia de alimentación (50/60 Hz) IEC 61000-4-8	30 A/m	Los campos magnéticos de frecuencia de alimentación deberían estar en los niveles característicos de un entorno hospitalario o comercial.
RF conducida IEC 61000-4-6	3 V 150 kHz a 80 Mhz  6 V en bandas ISM y bandas de radioaficionados	No es posible predecir teóricamente con exactitud la intensidad de campo de los transmisores fijos, como las emisoras de radioaficionados, las estaciones base de radioteléfonos (móviles/inalámbricos) y de radios móviles terrestres, así como las emisoras de radio AM y FM y de televisión. Para evaluar el entorno electromagnético causado por transmisores de RF fijos, debería realizarse un estudio electromagnético del emplazamiento. Si la intensidad del campo del emplazamiento en el que se utiliza este producto supera el nivel de cumplimiento de RF indicado anteriormente, es necesario observar el producto para comprobar que funciona correctamente. Si se observa un funcionamiento anormal, será preciso tomar las medidas necesarias, como la reorientación o reubicación del producto.  Es posible que se produzcan interferencias cerca de los equipos marcados con el símbolo siguiente: 
RF radiada IEC 61000-4-3	10 V/m 80 Mhz a 2,7 GHz  Para las especificaciones de prueba de 385 MHz - 5785 MHz sobre la inmunidad a los equipos de comunicación inalámbricos por radiofrecuencia, consulte la tabla 9 de IEC 60601-1-2:2014	No deben usarse equipos de comunicaciones por radiofrecuencia móviles y portátiles a menos de 30 cm de cualquiera de las piezas de este producto, incluidos los cables.



Estas directrices no se aplican en todas las situaciones. La propagación electromagnética se ve afectada por la absorción y la reflexión en estructuras, objetos y personas.



# Sommaire

Ce manuel DOIT être remis à l'utilisateur du produit. AVANT d'utiliser ce produit, vous DEVEZ lire ce manuel et le conserver pour pouvoir vous y reporter ultérieurement.

<b>1 Généralités</b>	<b>98</b>
1.1 Introduction	98
1.1.1 Symboles figurant dans ce manuel	98
1.2 Durée de vie	98
1.2.1 Informations supplémentaires	98
1.3 Limitation de responsabilité	98
1.4 Informations de garantie	98
1.5 Conformité	98
1.5.1 Normes spécifiques au produit	98
<b>2 Sécurité</b>	<b>99</b>
2.1 Informations de sécurité générales	99
2.1.1 Points de pincement	100
2.2 Informations de sécurité relatives aux accessoires	100
2.3 Informations de sécurité relatives aux interférences électromagnétiques	100
2.3.1 Mode de charge de la batterie	101
2.4 Étiquettes et symboles figurant sur le produit	101
2.4.1 Emplacement des étiquettes	101
2.4.2 Autocollant d'identification	101
2.4.3 Autres symboles	101
<b>3 Présentation du produit</b>	<b>103</b>
3.1 Utilisation prévue	103
3.2 Pièces principales du lève-personne	103
3.3 Accessoires	104
<b>4 Réglages (Mise en service)</b>	<b>105</b>
4.1 Informations de sécurité générales	105
4.2 Contenu	105
4.3 Installation du mât sur la base	105
4.4 Installation de la plaque repose-pieds	106
4.5 Installation de la sangle appui-mollets	106
4.6 Installation de l'appui sous-rotulien	106
4.7 Installation du levier du système manuel d'écartement des pieds	107
4.8 Réinitialisation du témoin lumineux de révision	107
<b>5 Utilisation</b>	<b>108</b>
5.1 Informations de sécurité générales	108
5.2 Verrouillage/déverrouillage des roulettes arrière	108
5.3 Élévation et descente du lève-personne électrique	108
5.4 Ouverture/fermeture des pieds	108
5.4.1 Ouverture/fermeture des pieds électriques	108
5.4.2 Fermeture/ouverture manuelle des pieds	108
5.5 Réglage du bras de levage à la taille du patient	109
5.6 Réglage de la hauteur de l'appui sous-rotulien	109
5.7 Utilisation de la sangle appui-mollets	109
5.8 Fonctions d'urgence	110
5.8.1 Procédure d'arrêt d'urgence	110
5.8.2 Activation d'un abaissement d'urgence (boîtier de contrôle CBJ Home)	110
5.8.3 Activation d'un abaissement d'urgence (boîtier de contrôle CBJ Care, CBJ1, CBJ2)	110
5.8.4 Activation d'une élévation d'urgence (boîtier de contrôle CBJ Care, CBJ1)	110
5.8.5 Activation d'un abaissement mécanique d'urgence	110
5.9 Recharge de la batterie	111
5.9.1 Boîtier de contrôle CBJ Home	111
5.9.2 Boîtier de contrôle CBJ Care, CBJ1, CBJ2	111
5.9.3 Chargeur de batterie en option	112
<b>6 Transfert du patient</b>	<b>114</b>
6.1 Informations de sécurité générales	114
6.2 Installation de la sangle sur le lève-personne	115
6.3 Transfert d'un patient	116
<b>7 Transport et stockage</b>	<b>118</b>
7.1 Informations générales	118
7.2 Démontage du lève-personne	118
<b>8 Maintenance</b>	<b>119</b>
8.1 Informations de maintenance générales	119
8.2 Vérifications quotidiennes	119
8.3 Nettoyage et désinfection	119
8.3.1 Informations de sécurité générales	119
8.3.2 Fréquence de nettoyage	120
8.3.3 Consignes de nettoyage	120
8.3.4 Instructions de désinfection	120
8.4 Intervalle entre les révisions	120
<b>9 Après l'utilisation</b>	<b>121</b>
9.1 Mise au rebut	121
9.2 Reconditionnement	121
<b>10 Dépannage</b>	<b>122</b>
10.1 Identification des pannes et solutions possibles	122
<b>11 Caractéristiques Techniques</b>	<b>124</b>
11.1 Charge maximale d'utilisation	124
11.2 Dimensions et poids	124
11.3 Système électrique	125
11.4 Conditions ambiantes	126
11.5 Matériaux	126
11.6 Forces de fonctionnement des commandes	126
<b>12 Compatibilité électromagnétique (CEM)</b>	<b>127</b>
12.1 Informations relatives aux interférences électromagnétiques	127
12.2 Émissions électromagnétiques	127
12.3 Immunité électromagnétique	127

# 1 Généralités

## 1.1 Introduction

Le présent manuel d'utilisation contient des informations importantes sur la manipulation du produit. Pour garantir une utilisation en toute sécurité du produit, lisez attentivement le manuel d'utilisation et respectez les instructions de sécurité.

Veillez noter que certaines sections du présent document peuvent ne pas s'appliquer à votre produit, étant donné que le document concerne tous les modèles disponibles (à la date d'impression). Sauf mention contraire, chaque section de ce document se rapporte à tous les modèles du produit.

Les modèles et les configurations disponibles dans votre pays sont répertoriés dans le catalogue de tarifs spécifique au pays.

Invacare se réserve le droit de modifier les caractéristiques des produits sans préavis.

Avant de lire ce document, assurez-vous de disposer de la version la plus récente. Cette version est disponible au format PDF sur le site Internet d'Invacare.

Si la taille des caractères de la version imprimée du document vous semble trop difficile à lire, vous pouvez télécharger la version PDF sur le site Internet. Vous pourrez alors ajuster la taille des caractères à l'écran pour améliorer votre confort visuel.

Pour obtenir plus d'informations sur le produit, comme les avis de sécurité ou les rappels du produit, contactez votre représentant Invacare local. Reportez-vous aux adresses indiquées à la fin du présent document.

En cas d'incident grave avec le produit, vous devez en informer le fabricant et l'autorité compétente de votre pays.

### 1.1.1 Symboles figurant dans ce manuel

Les symboles et mots d'avertissement utilisés dans le présent manuel s'appliquent aux risques ou aux pratiques dangereuses qui pourraient provoquer des blessures ou des dommages matériels. Reportez-vous aux informations ci-dessous pour la définition des symboles d'avertissement.



#### AVERTISSEMENT

Indique une situation dangereuse qui, si elle n'est pas évitée, est susceptible de provoquer des blessures graves, voire mortelles.



#### ATTENTION

Indique une situation dangereuse qui, si elle n'est pas évitée, est susceptible de provoquer des blessures mineures ou légères.



#### IMPORTANT

Indique une situation dangereuse qui, si elle n'est pas évitée, est susceptible de provoquer des dommages matériels.



#### Conseils et recommandations

Donne des conseils, recommandations et informations utiles pour une utilisation efficace et sans souci.

## 1.2 Durée de vie

La durée de vie attendue de ce produit est de huit ans lorsqu'il est utilisé quotidiennement selon l'usage prévu et dans le respect des consignes de sécurité, des intervalles de maintenance, comme indiqué dans le présent manuel. La durée de vie effective peut varier en fonction de la fréquence et de l'intensité de l'utilisation.

### 1.2.1 Informations supplémentaires

La durée de vie théorique repose sur une moyenne estimée de 4 cycles de levage par jour.

## 1.3 Limitation de responsabilité

Invacare décline toute responsabilité en cas de dommage lié à :

- un non respect du manuel d'utilisation,
- une utilisation incorrecte,
- l'usure normale,
- un assemblage ou montage incorrect par l'acheteur ou des tiers,
- des modifications techniques,
- des modifications non autorisées et/ou l'utilisation de pièces de rechange inadaptées.

## 1.4 Informations de garantie

Nous fournissons une garantie fabricant pour le produit, conformément à nos conditions générales de vente en vigueur dans les différents pays.

Les réclamations au titre de la garantie ne peuvent être adressées qu'au fournisseur auprès duquel le produit a été obtenu.

## 1.5 Conformité

La qualité est un élément fondamental du fonctionnement de notre entreprise, qui travaille conformément à la norme ISO 13485.

Ce produit porte le label CE et est conforme à la Directive sur les dispositifs médicaux de classe I 2017/745. La date de lancement de ce produit est indiquée dans la déclaration de conformité CE.

Nous nous efforçons en permanence de réduire au minimum notre impact sur l'environnement, à l'échelle locale et mondiale.

Nous n'utilisons que des matériaux et composants conformes au règlement REACH.

Nous respectons la législation en vigueur en matière d'environnement, notamment, les directives DEEE et RoHS.

### 1.5.1 Normes spécifiques au produit

Ce produit a été testé et il est conforme à la norme ISO 10535 (Produits d'assistance pour personnes en situation de handicap) et à toutes les normes associées.

Pour des informations complémentaires sur les normes et réglementations locales, contactez un représentant Invacare. Reportez-vous aux adresses indiquées à la fin du présent document.

## 2 Sécurité

### 2.1 Informations de sécurité générales

Cette section du manuel fournit des informations de sécurité générales en rapport avec votre produit. Pour des informations de sécurité spécifiques, reportez-vous à la section correspondante du manuel et aux procédures indiquées dans cette section.



#### AVERTISSEMENT !

##### Risque de blessure ou de dommage matériel

- N'utilisez pas ce produit ni aucun autre équipement disponible en option sans avoir lu et compris entièrement les présentes instructions et toute autre documentation d'instructions supplémentaire, telle que les manuels d'utilisation ou les fiches d'instructions fournis avec ce produit ou avec l'équipement en option. Si vous ne comprenez pas les avertissements, mises en garde ou instructions, contactez un professionnel de santé, un fournisseur Invacare ou un technicien qualifié avant d'essayer d'utiliser ce produit.
- N'effectuez aucune modification ou transformation non autorisées du produit.



#### AVERTISSEMENT !

##### La charge maximale d'utilisation ne doit pas être dépassée.

- Ne dépassez pas la charge maximale d'utilisation de ce produit ou des accessoires utilisés comme des sangles, etc. Reportez-vous à la documentation ou à l'étiquetage pour connaître la charge maximale d'utilisation.
- Le composant ayant la limite de charge la plus basse détermine la charge maximale d'utilisation de l'ensemble du système.



#### AVERTISSEMENT !

##### Risque de blessure ou de dommage matériel

- Une utilisation inadéquate de ce produit est susceptible d'entraîner des blessures ou des dommages matériels.
- Ne tentez jamais de transférer un patient sans l'accord de son équipe médicale.
  - Lisez les instructions contenues dans le présent manuel d'utilisation et observez des personnes expérimentées effectuer les procédures de transfert. Exercez-vous ensuite au transfert, sous supervision, et avec un individu valide jouant le rôle du patient.
  - Les patients transférés et positionnés au moyen du lève-personne verticalisateur DOIVENT accepter de coopérer, être cohérents et en mesure de contrôler leur tête et leur cou. Sinon, il existe un risque de blessure.
  - Les patients transférés et positionnés au moyen d'une sangle avec support dorsal uniquement DOIVENT être en mesure de supporter une partie importante de leur propre poids. Le non-respect de cette consigne risque de provoquer des blessures ou des dommages matériels. Consultez le manuel d'utilisation de la sangle pour plus d'informations.

- N'utilisez pas le lève-personne comme dispositif de transport. Il est conçu pour transférer une personne d'une assise à une autre.



#### AVERTISSEMENT !

##### Risque de blessure ou de dommage matériel

- Une manipulation inappropriée des câbles, des branchements incorrects et l'utilisation d'équipements non autorisés peuvent provoquer un choc électrique et une défaillance du produit.
- Les câbles du produit ne doivent pas être entortillés, cisailés ou endommagés d'une manière quelconque.
  - Assurez-vous qu'aucun câble n'est coincé ou endommagé lors de l'utilisation du produit.
  - Assurez-vous que le câblage est correct et que les branchements sont bons.
  - N'utilisez pas d'équipements non autorisés.



#### AVERTISSEMENT !

##### Risque de blessure ou de dommage matériel

- Une humidité excessive risque d'endommager le produit et de provoquer des décharges électriques.
- Le lève-personne peut s'utiliser dans une douche ou une salle de bains, mais ne doit PAS être utilisé sous la douche. Le patient doit être transféré sur une chaise de douche ou doit utiliser d'autres moyens pour se doucher.
  - Si le lève-personne est utilisé dans un environnement humide, veillez à ce qu'il soit correctement nettoyé et séché après utilisation.
  - Vous ne devez pas brancher ou débrancher le câble d'alimentation dans un environnement humide ou avec les mains mouillées.
  - Ne rangez pas le produit dans un endroit humide ou s'il n'est pas parfaitement sec.
  - Assurez-vous régulièrement qu'aucun des composants du produit ne présente de traces de corrosion ou de dommages. Remplacez toutes les pièces usées ou endommagées.
  - Reportez-vous à la section *11.4 Conditions ambiantes*, page 126



#### AVERTISSEMENT !

##### Risque de blessure ou de dommage matériel

- Les sources d'inflammation peuvent causer des brûlures ou un incendie.
- Le transfert du patient doit être effectué avec un espace de sécurité entre le lève-personne et les sources d'inflammation possibles (chauffage, cuisinière, cheminée, etc.)
  - Le patient et les tierces-personnes ne doivent pas fumer pendant le transfert.
  - La sangle ne doit pas être placée au-dessus de sources de chaleur (chauffage, cuisinière, cheminée, etc.)



#### AVERTISSEMENT !

##### Risque de blessure ou de dommage matériel

- Pour éviter tout risque de blessure ou de dommage lors de l'utilisation du produit :
- Une surveillance étroite s'impose lorsque le produit est utilisé à proximité d'enfants ou d'animaux de compagnie.

- Ne laissez jamais des enfants jouer avec le produit.

**ATTENTION !****Risque de blessure ou de dommage matériel**

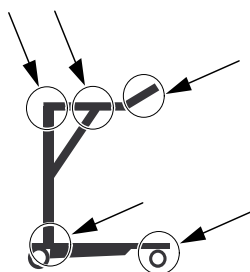
Les composants du produit peuvent devenir brûlants en cas d'exposition au soleil ou à d'autres sources de chaleur.

- N'exposez pas le produit à la lumière directe du soleil pendant des périodes prolongées.
- Éloignez le produit des sources de chaleur.

**IMPORTANT !**

L'accumulation de peluches, de poussières et d'autres saletés risque de nuire au fonctionnement du produit.

- Veillez à ce que le produit reste toujours propre.

**2.1.1 Points de pincement****AVERTISSEMENT !****Risque de blessure**

Il existe des points de pincement dans différentes zones du lève-personne qui présentent un risque de pincement pour les membres.

- Gardez toujours les mains, les doigts et les pieds à distance des pièces mobiles de l'appareil.

**2.2 Informations de sécurité relatives aux accessoires****ATTENTION !****Risque de blessure**

Des accessoires non adaptés ou qui ne sont pas d'origine peuvent affecter le fonctionnement et la sécurité de ce produit.

- Du fait de différences régionales, vous devez vous reporter au site Internet ou au catalogue Invacare de votre pays pour connaître les accessoires qui sont disponibles ; vous pouvez également contacter votre fournisseur Invacare.
- Consultez les informations et les instructions figurant dans le manuel fourni avec chaque accessoire.
- Utilisez uniquement les accessoires d'origine du produit utilisé. Dans certaines circonstances, des sangles d'autres marques peuvent être utilisées. Des informations complémentaires sont données dans cette même section.
- Une évaluation des risques doit toujours être effectuée par un professionnel avant la prescription d'un système de levage. Des critères tels que Tâche, Individu, Charge, Environnement et Équipement doivent

impérativement être pris en compte dans l'évaluation des risques.

- Le modèle et la taille de la sangle doivent toujours être choisis en fonction du poids, de la taille et des aptitudes physiques du patient, tout en tenant compte du type de transfert à effectuer.

**ATTENTION !****Compatibilité des sangles avec le système de fixation**

Invacare utilise un système de fixation courant de type boucles et crochets. Les boucles des sangles sont attachées aux crochets du lève-personne. De ce fait, des sangles d'autres marques qui sont adaptées à ce lève-personne peuvent également être utilisées.

- Utilisez exclusivement des sangles conçues pour les lève-personne verticalisateurs.
- Utilisez uniquement des sangles munies de fixations à boucles, adaptées aux points de fixation par crochets.
- N'utilisez pas des sangles conçues pour les systèmes de type « trou de serrure ou fixation par clip » ou « support basculant ».

**2.3 Informations de sécurité relatives aux interférences électromagnétiques****AVERTISSEMENT !****Risque de dysfonctionnement dû aux interférences électromagnétiques**

Des interférences électromagnétiques peuvent se produire entre ce produit et d'autres équipements électriques et affecter les fonctions de réglage électrique de ce produit. Pour prévenir, réduire ou éliminer ces interférences électromagnétiques :

- Veillez à utiliser uniquement des câbles, accessoires et pièces de rechange d'origine, afin de ne pas accroître les émissions électromagnétiques, ni réduire l'immunité électromagnétique de ce produit.
- N'utilisez aucun équipement de communication portable à fréquences radioélectriques (RF) à moins de 30 cm d'une partie quelconque de ce produit (câbles compris).
- N'utilisez pas ce produit à proximité d'un équipement chirurgical actif à haute fréquence, ni d'une salle d'imagerie à résonance magnétique avec blindage RF, où l'intensité des perturbations électromagnétiques est élevée.
- En cas de perturbations, augmentez la distance entre ce produit et l'autre équipement ou mettez-le hors tension.
- Reportez-vous aux informations détaillées figurant au chapitre 12 *Compatibilité électromagnétique (CEM)*, page 127 et suivez les recommandations.

**AVERTISSEMENT !****Risque de dysfonctionnement**

Des interférences électromagnétiques peuvent affecter le fonctionnement.

- Lorsque vous l'utilisez, ce produit ne doit pas être placé à côté ou sur un autre équipement électrique. Si cela est nécessaire, il est

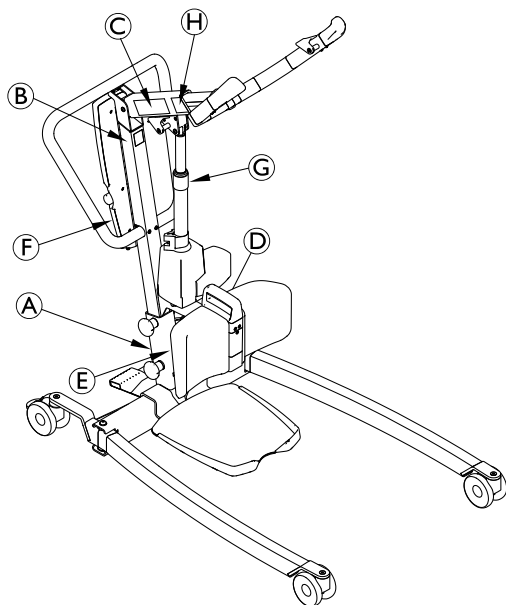
indispensable d'inspecter rigoureusement ce produit et l'autre équipement afin de vérifier qu'ils fonctionnent normalement.

### 2.3.1 Mode de charge de la batterie

- !** **IMPORTANT !**  
 Pendant la charge de la batterie, le boîtier de contrôle risque davantage d'être endommagé par une décharge électrostatique. La survenue d'une décharge électrostatique pendant le mode de charge de la batterie peut entraîner un dysfonctionnement du boîtier de contrôle ou une perte de fonction.  
 – Évitez toute source possible de décharge électrostatique pendant la charge de la batterie.

## 2.4 Étiquettes et symboles figurant sur le produit

### 2.4.1 Emplacement des étiquettes



Ⓐ	Autocollant d'identification
Ⓑ	Étiquette Consultez le manuel d'utilisation
Ⓒ	Nom et charge maximale d'utilisation du lève-personne, selon le modèle
Ⓓ	Étiquette des conditions ambiantes et du poids total maximum
Ⓔ	Charge maximale d'utilisation du lève-personne, selon le modèle
Ⓕ	Étiquette d'annulation de la garantie (ne figure pas sur tous les modèles)
Ⓖ	Étiquette d'avertissement
Ⓕ	Étiquette de réglage du bras de levage

### 2.4.2 Autocollant d'identification



L'autocollant d'identification fournit les informations principales concernant le produit, notamment les caractéristiques techniques.

#### Symboles

	Numéro de série
	Numéro de référence
	Adresse du fabricant
	Date de fabrication
	Charge max. d'utilisation pour un fonctionnement sûr
	Équipement de CLASSE II
	Pièce appliquée de type B
	Conforme DEEE
	Conformité européenne




Abréviations utilisées dans les caractéristiques techniques :


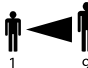
- lin = Intensité en entrée
- Uin = Tension en entrée
- Int. = Intermittence
- CA = Courant alternatif
- Max = maximum
- min = minute

Pour plus d'informations sur les caractéristiques techniques, reportez-vous au chapitre 11 *Caractéristiques Techniques*, page 124

### 2.4.3 Autres symboles

	Reportez-vous au manuel d'utilisation
	Poids total du produit avec application de la charge maximale d'utilisation
	N'utilisez pas le vérin en tant que barre de poussée
	Ne retirez pas ce composant
	La garantie est annulée si le composant est retiré ou cassé
	Limite de température

	Limite d'humidité
	Limite de pression atmosphérique
	Conditions de transport et de stockage

	Conditions d'utilisation
	Réglage du bras de levage en fonction du poids du patient

## 3 Présentation du produit

### 3.1 Utilisation prévue

Le lève-personne verticalisateur est un dispositif de transfert alimenté par batterie, conçu pour transférer et positionner une personne d'une assise à une autre. Exemple :

- Entre le lit et un fauteuil roulant
- Vers et depuis la salle de bains
- Rééducation, pour aider le patient à passer d'une position assise à une position debout

La charge maximale d'utilisation est indiquée dans la section *11 Caractéristiques Techniques, page 124*

Le lève-personne verticalisateur est conçu pour être utilisé à l'intérieur, sur une surface plane, dans les hôpitaux, les établissements de soins infirmiers et les zones résidentielles. Il est possible de faire tourner (pivoter) le lève-personne verticalisateur sur place pour les transferts dans les espaces réduits.

Ce produit est conçu pour être utilisé par un professionnel de santé ou un particulier qui a été formé à cet effet.

### Indications

Le lève-personne verticalisateur est conçu pour transférer et positionner des patients partiellement immobiles capables de supporter leur propre poids.

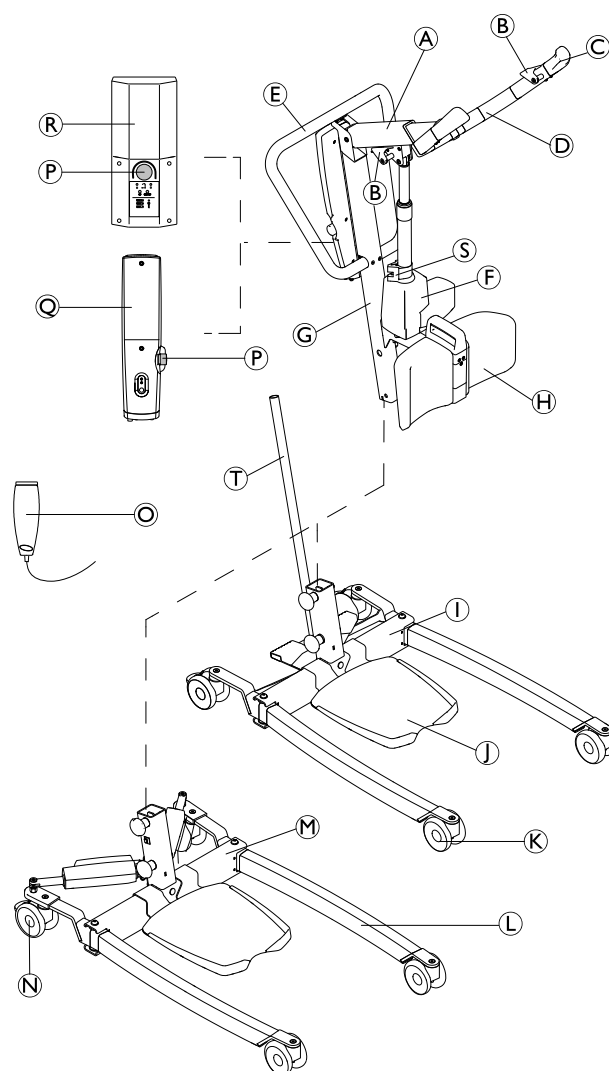
### Contre-indications

Le lève-personne verticalisateur est contre-indiqué pour les patients qui :

- refusent de coopérer,
- ne sont pas en mesure de comprendre et suivre des instructions,
- ne sont pas en mesure de contrôler leur tête et leur cou,
- n'ont pas une stabilité suffisante au niveau du tronc.

Certaines sangles conçues pour le lève-personne verticalisateur sont contre-indiquées pour les patients qui ne sont pas en mesure de supporter une partie importante de leur poids. Consultez le manuel d'utilisation de la sangle pour plus d'informations.

### 3.2 Pièces principales du lève-personne



(A)	Flèche
(B)	Crochet de sangle
(C)	Poignée
(D)	Bras de levage
(E)	Barre de poussée
(F)	Vérin de levage
(G)	Mât
(H)	Appui sous-rotulien (fixe ou pivotant)
(I)	Base avec pédale pour système manuel d'écartement des pieds
(J)	Plaque repose-pieds (haute, basse ou inclinée)
(K)	Roulettes avant
(L)	Pied
(M)	Base avec vérins pour système d'écartement des pieds électrique — avec ou sans protections pour vérins
(N)	Roulettes arrière avec frein
(O)	Télécommande
(P)	Arrêt d'urgence

©	Boîtier de contrôle CBJ Home avec batterie intégrée
®	Boîtier de contrôle CBJ Care, CBJ1 ou CBJ2 avec batterie amovible
Ⓢ	Abaissement d'urgence mécanique
Ⓣ	Levier du système manuel d'écartement des pieds

### 3.3 Accessoires



Du fait de différences régionales, vous devez vous reporter au site Internet ou au catalogue Invacare de votre pays pour connaître les accessoires qui sont disponibles ; vous pouvez également contacter votre fournisseur Invacare.

- Levier du système manuel d'écartement des pieds
- Housses de protection pour les jambes
- Sangle appui-mollets
- Chargeur mural pour batterie amovible
- Batterie supplémentaire
- Plaque repose-pieds supplémentaire (haute, basse ou inclinée)

Modèles de sangles munies de fixations à boucles, adaptées aux points de fixation par crochets :

- Sangle Invacare® Stand Assist (Europe)/sangle Invacare® Standup (Asie-Pacifique) : fixation à 2 points avec support dorsal uniquement.
- Sangle Invacare® Transfer Stand Assist : fixation à 4 points avec support dorsal et repose-jambes.



## 4 Réglages (Mise en service)

### 4.1 Informations de sécurité générales



#### AVERTISSEMENT !

- Vérifiez l'absence de dommages dus au transport sur toutes les pièces avant utilisation.
- Si les pièces sont endommagées, n'utilisez pas l'appareil. Contactez votre fournisseur Invacare pour plus d'informations sur la marche à suivre.



#### AVERTISSEMENT ! Risque de blessure

- Un montage inadéquat est susceptible d'entraîner des blessures ou des dégâts matériels.
- Seules des pièces Invacare doivent être utilisées pour le montage de ce lève-personne.
  - Après chaque montage, vérifiez que tous les raccords sont bien serrés et que toutes les pièces fonctionnent correctement.
  - Ne serrez pas excessivement le matériel de fixation. Vous risqueriez d'endommager les supports de montage.

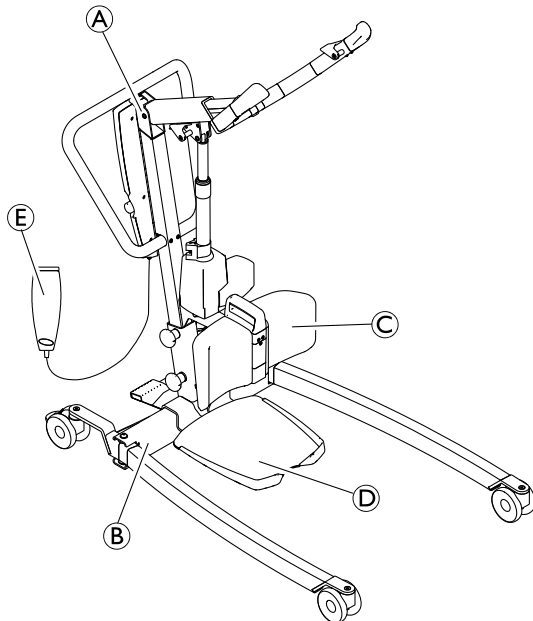


Le montage du lève-personne ne nécessite aucun outil.

En cas de problème ou de question lors du montage, adressez-vous à votre fournisseur Invacare.

### 4.2 Contenu

Les éléments qui sont inclus avec votre système varient selon les modèles et les configurations disponibles dans votre pays. Reportez-vous à la section 1.1 Introduction, page 98.



Ⓐ	Mât/ensemble flèche (1 unité) — boîtier de contrôle et vérin inclus
Ⓑ	Base avec ou sans vérins (1 unité)
Ⓒ	Appui sous-rotulien
Ⓓ	Plaque repose-pieds

Ⓔ	Télécommande (1 unité)
	Câble secteur (1 unité)
	Manuel d'utilisation (1 unité)
	Batterie (1 ou 2 unités)* – CBJ Care, CBJ1 et CBJ2 uniquement
	Levier du système manuel d'écartement des pieds (1 unité)*
	Sangle appui-mollets (1 unité)*
	Sangle (1 unité)*

\* Selon le modèle et/ou la configuration



Si le lève-personne est livré avec une sangle, reportez-vous au manuel d'utilisation de la sangle pour plus de précisions sur l'utilisation, l'application, l'entretien et le nettoyage.

### 4.3 Installation du mât sur la base

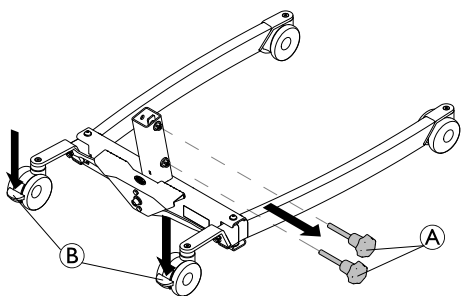


#### AVERTISSEMENT !

#### Risque de blessure ou de dommage matériel

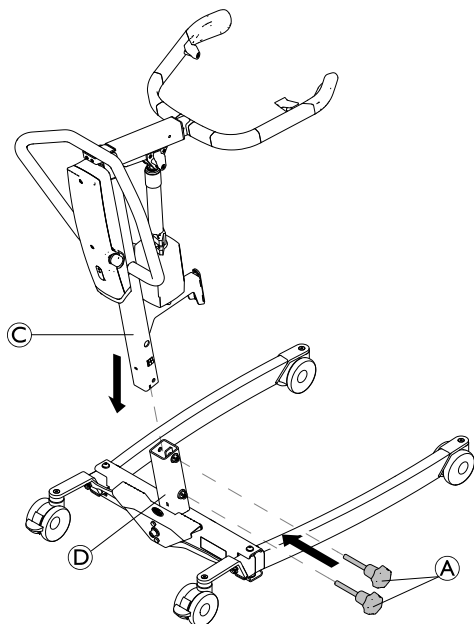
- La charge maximale d'utilisation indiquée sur la flèche et la base doit être identique.
- Comparez toujours les valeurs de charge maximale d'utilisation indiquées sur la base et sur la flèche.

1.



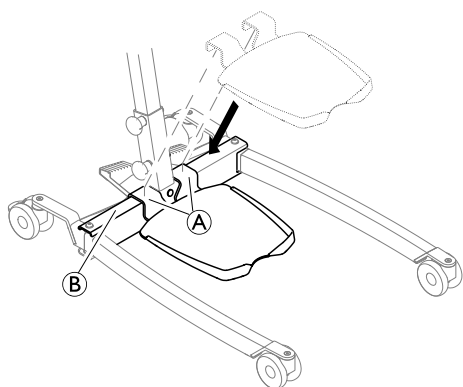
Verrouillez les deux roulettes arrière **B** et faites pivoter les vis à molette **A** dans le sens inverse des aiguilles d'une montre pour les retirer de la base

2.



La flèche étant orientée vers l'avant, abaissez le mât **C** dans le support de la base **D** et remettez les vis à molette **A** en place pour fixer le mât **C** à la base.

#### 4.4 Installation de la plaque repose-pieds



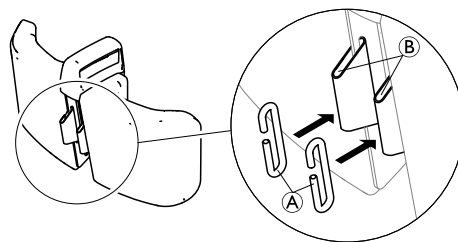
1. Abaissez la plaque repose-pieds sur la base jusqu'à ce que les supports **A** soient complètement enclenchés sur le tube **B**.

#### 4.5 Installation de la sangle appui-mollets

(en option)

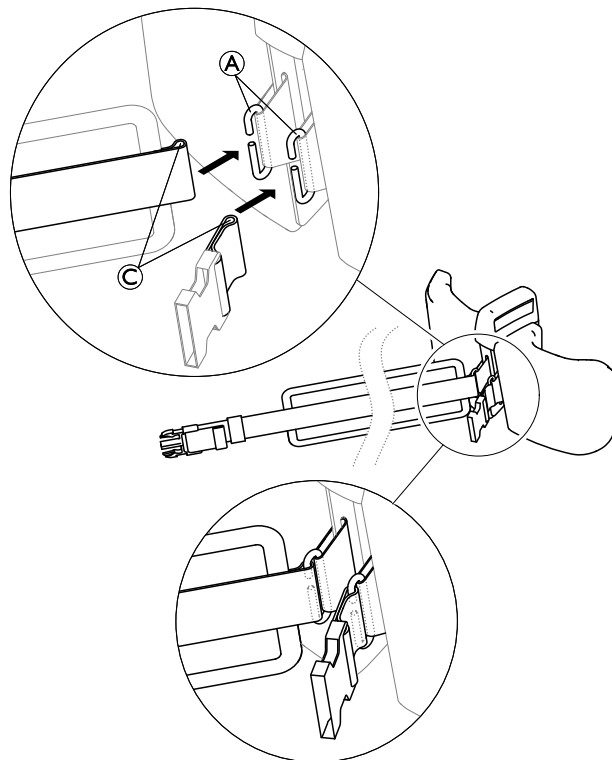
Les deux parties de la sangle appui-mollets sont fixées sur la face arrière de l'appui sous-rotulien.

1.



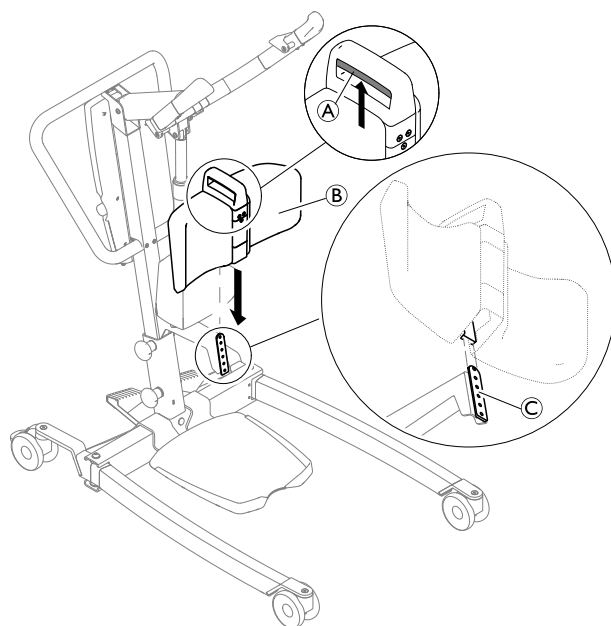
Faites passer les deux crochets **A** dans les ergots **B** sur la face arrière de l'appui sous-rotulien.

2.




Faites passer les boucles **C** des deux parties de la sangle appui-mollets dans les crochets **A**.

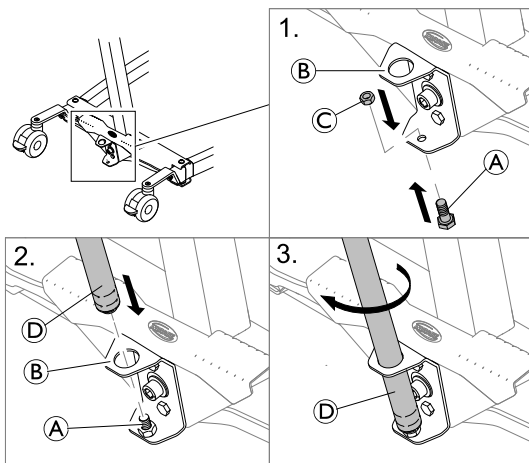
#### 4.6 Installation de l'appui sous-rotulien



1. Appuyez sur la poignée de déverrouillage **A** de l'appui sous-rotulien **B** et maintenez-la vers le haut.
2. Faites glisser la barre de guidage à l'arrière de l'appui sous-rotulien **B** sur sa plaque de fixation **C** sur le mât.
3. Lorsque la hauteur souhaitée est atteinte, relâchez la poignée **A** et déplacez légèrement l'appui sous-rotulien **B** vers le haut ou vers le bas jusqu'à ce qu'un déclic se fasse entendre et que l'appui sous-rotulien **B** se verrouille dans l'une des 6 positions de hauteur disponibles.

## 4.7 Installation du levier du système manuel d'écartement des pieds

 2 clés de 13 mm



1. Insérez le boulon **A** par le dessous dans le trou inférieur du support **B** et fixez-le avec l'écrou **C**.
2. Insérez l'extrémité fileté du levier **D** dans le trou supérieur du support **B** sur le boulon fixe **A**.
3. Tournez le levier **D** dans le sens des aiguilles d'une montre pour le visser sur le boulon.

## 4.8 Réinitialisation du témoin lumineux de révision

(boîtier de contrôle CBJ Care uniquement)



### IMPORTANT !

Si le témoin lumineux de révision s'allume en jaune et clignote pendant l'utilisation quotidienne ou après un remontage, cela signifie que le lève-personne a besoin d'une révision.

– Contactez votre fournisseur Invacare pour effectuer un entretien.

Après le montage initial du lève-personne, le témoin lumineux de révision doit être réinitialisé avant l'utilisation du lève-personne.

Pour effectuer la réinitialisation initiale du témoin lumineux de révision :

1. Repérez la télécommande.
2. Appuyez simultanément sur les flèches HAUT et BAS pendant cinq secondes.
3. Un son est émis lors de la réinitialisation du témoin lumineux de révision.

## 5 Utilisation

### 5.1 Informations de sécurité générales



#### AVERTISSEMENT !

#### Risque de blessure ou de dommage matériel

Avant d'utiliser le lève-personne pour un patient, reportez-vous aux informations et instructions de sécurité suivantes :

- 2 Sécurité, page 99
- 6 Transfert du patient, page 114

### 5.2 Verrouillage/déverrouillage des roulettes arrière

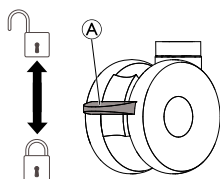


#### AVERTISSEMENT !

#### Risque de blessure ou de dommage matériel

Le lève-personne risque de basculer et de mettre le patient et les assistants en danger.

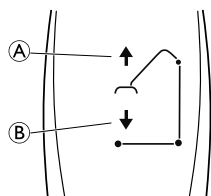
- Invacare recommande que les roulettes arrière soient déverrouillées lors du soulèvement du patient pour permettre la stabilité du lève-personne lorsque le patient est soulevé à partir d'une chaise, d'un lit ou d'un emplacement fixe.
- Invacare recommande de verrouiller les roulettes arrière du lève-personne uniquement au moment d'installer le patient dans la sangle ou de l'en sortir.



- Pour verrouiller la roulette, appuyez le pied sur la pédale **A**.
- Pour déverrouiller la roulette, poussez du pied la pédale **A** vers le haut.

### 5.3 Élévation et descente du lève-personne électrique

La télécommande permet de relever ou d'abaisser le lève-personne.



1. Pour élever le lève-personne : appuyez sur le bouton Flèche haut **A** et maintenez-le enfoncé pour élever la flèche et le patient.
2. Pour faire descendre le lève-personne : appuyez sur le bouton Flèche bas **B** et maintenez-le enfoncé pour abaisser la flèche et le patient.



Relâchez le bouton pour arrêter l'élévation ou la descente du lève-personne.

### 5.4 Ouverture/fermeture des pieds



#### AVERTISSEMENT !

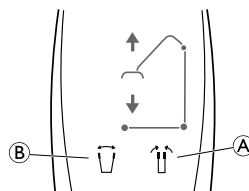
#### Risque de blessure

Le lève-personne risque de basculer et de mettre le patient et les assistants en danger.

- Les pieds du lève-personne doivent être complètement ouverts afin d'assurer une stabilité et une sécurité optimales. Si vous devez fermer les pieds du lève-personne pour placer le lève-personne sous un lit, fermez-les aussi longtemps que nécessaire pour positionner l'appareil et soulever le patient hors du lit. Lorsque les pieds du lève-personne ne se trouvent plus sous le lit, ouvrez-les complètement à nouveau.

#### 5.4.1 Ouverture/fermeture des pieds électriques

La télécommande permet d'ouvrir ou de fermer les pieds de la base.

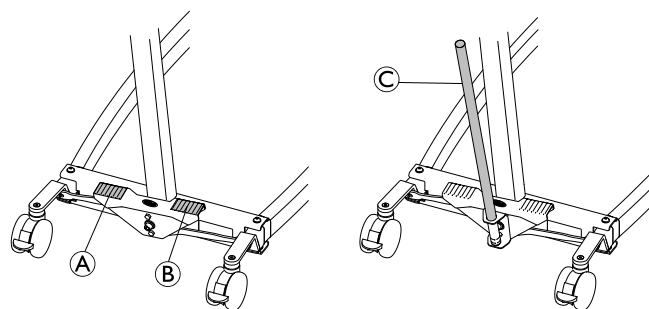


1. Pour fermer les pieds, appuyez sur le bouton représentant les pieds fermés **A** et maintenez-le enfoncé.
2. Pour ouvrir les pieds, appuyez sur le bouton représentant les pieds ouverts **B** et maintenez-le enfoncé.



Les pieds s'immobilisent lorsque le bouton est relâché.

#### 5.4.2 Fermeture/ouverture manuelle des pieds



Le système manuel d'écartement des pieds est actionné par deux pédales (**A** et **B**) ou par le levier **C**.

1. Pour ouvrir les pieds, appuyez sur la pédale droite **B** avec un pied.
2. Pour fermer les pieds, appuyez sur la pédale gauche **A** avec un pied.

Avec le levier :

1. Pour ouvrir les pieds, tirez le levier **C** vers la droite.
2. Pour fermer les pieds, poussez le levier **C** vers la gauche.

## 5.5 Réglage du bras de levage à la taille du patient



### ATTENTION !

**Risque de blessure ou de dommage matériel**  
Une position incorrecte de la flèche peut entraîner le glissement soudain du bras de levage ou sa sortie lorsqu'il est libéré.

- Réglez toujours le bras de levage lorsqu'il est déchargé et avec la flèche en position horizontale.

Le critère de réglage principal est la taille du patient, mais le réglage correct dépend également d'autres facteurs tels que la longueur des boucles de la sangle, l'état du patient et ses préférences.

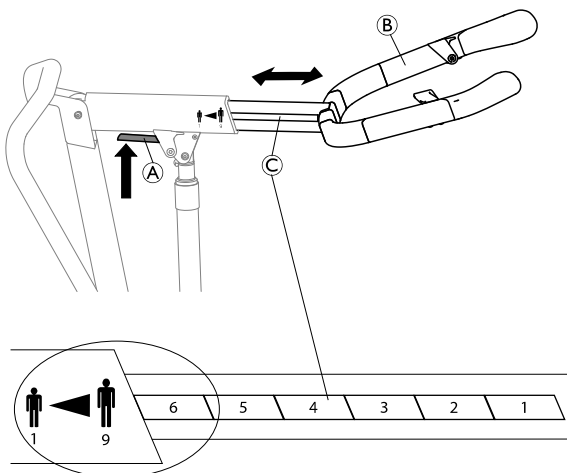
Les consignes suivantes reposent sur des valeurs moyennes, mais des écarts peuvent se produire :

- Position 1 (entièrement rétracté) : taille du patient d'environ 140 cm et plus.
- Position 5 : taille du patient d'environ 170 cm et plus.
- Position 9 (entièrement sorti) : taille du patient jusqu'à 200 cm environ.



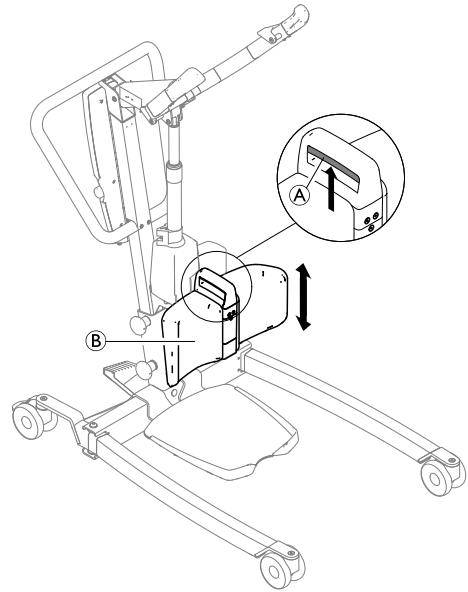
### IMPORTANT

Un essai individuel est fortement recommandé pour déterminer un réglage correct et sûr pour chaque patient.



1. Appuyez sur le levier rouge **A** de la flèche et maintenez-le vers le haut.
2. Réglez la longueur du bras de levage **B** sur l'une des neuf positions disponibles indiquées sur l'échelle **C**, en plaçant le champ de positionnement souhaité avant le bord de la flèche.
3. Relâchez le levier **A** et déplacez légèrement le bras de levage **B** vers l'arrière jusqu'à ce qu'un déclic se fasse entendre et qu'il se mette en place.

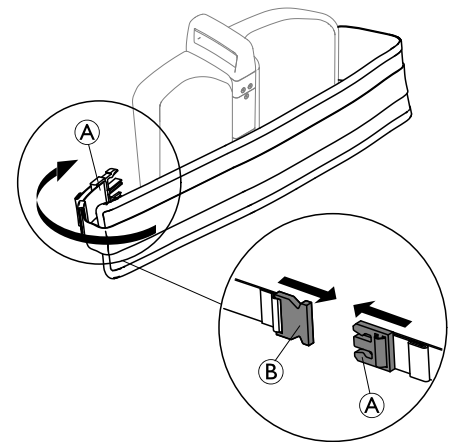
## 5.6 Réglage de la hauteur de l'appui sous-rotulien



1. Appuyez sur la poignée de déverrouillage **A** de l'appui sous-rotulien **B** et maintenez-la vers le haut.
2. Faites glisser l'appui sous-rotulien **B** vers le haut ou vers le bas.
3. Lorsque la hauteur souhaitée est atteinte, relâchez la poignée **A** et déplacez légèrement l'appui sous-rotulien **B** vers le haut ou vers le bas jusqu'à ce qu'un déclic se fasse entendre et que l'appui sous-rotulien **B** se verrouille dans l'une des 6 positions de hauteur disponibles.

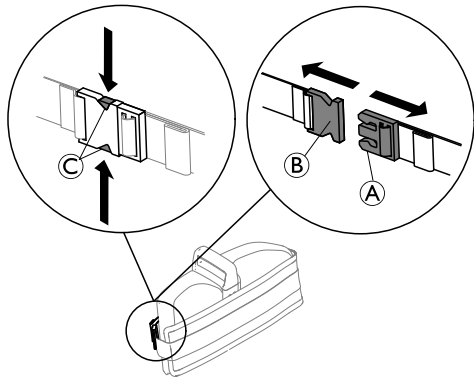
## 5.7 Utilisation de la sangle appui-mollets

- 1.



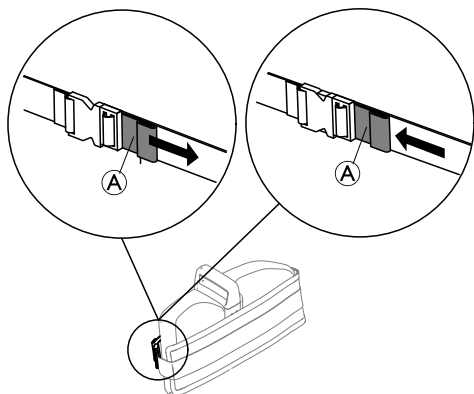
Pour appliquer la sangle appui-mollets, enroulez la partie longue rembourrée autour de l'appui sous-rotulien et de la partie inférieure des jambes du patient et poussez le cran de sûreté **A** dans la boucle-fermoir **B** sur la face arrière de l'appui sous-rotulien.

- 2.




Pour ouvrir, appuyez sur le mécanisme de déverrouillage © et tirez le cran de sûreté Ⓐ de la boucle-fermoir Ⓑ.

3.

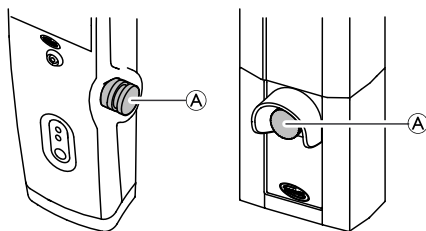


Pour régler la longueur de la sangle appui-mollets, tirez sur l'ergot Ⓐ pour la raccourcir ou poussez l'ergot Ⓐ en direction de la boucle pour l'allonger.

 En l'absence de patient dans le lève-personne, enrroulez la sangle appui-mollets autour de l'appui sous-rotulien, fermez-la et raccourcissez-la pour la resserrer.

## 5.8 Fonctions d'urgence

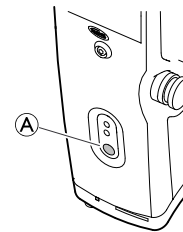
### 5.8.1 Procédure d'arrêt d'urgence



1. Appuyez sur le bouton d'arrêt d'urgence rouge Ⓐ du boîtier de contrôle pour arrêter l'élévation ou la descente de la flèche et du patient.
2. Pour réinitialiser, tournez le bouton d'urgence dans le sens des aiguilles d'une montre.

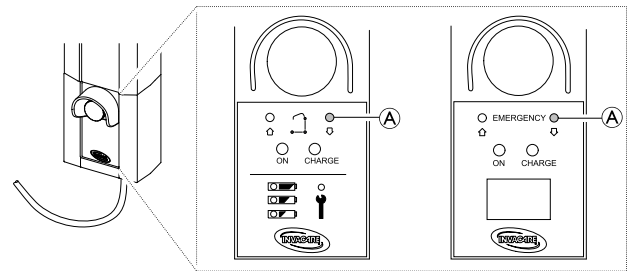
### 5.8.2 Activation d'un abaissement d'urgence (boîtier de contrôle CBJ Home)

En cas de panne de la télécommande, il est possible d'abaisser la flèche au moyen du bouton de déverrouillage d'urgence.



1. Pour abaisser la flèche, appuyez sur le bouton Ⓐ à l'avant du boîtier de contrôle et maintenez-la enfoncée.
2. Relâchez le bouton pour arrêter la descente de la flèche.

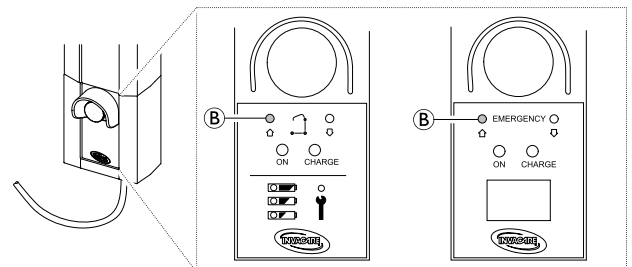
### 5.8.3 Activation d'un abaissement d'urgence (boîtier de contrôle CBJ Care, CBJ1, CBJ2)



En cas de panne de la télécommande, il est possible d'abaisser la flèche au moyen du bouton de déverrouillage d'urgence. Utilisez un objet pointu, comme un crayon, pour appuyer sur le bouton.

1. Pour abaisser la flèche, appuyez sur le bouton Ⓐ à l'avant du boîtier de contrôle et maintenez-la enfoncée.
2. Relâchez le bouton pour arrêter la descente de la flèche.

### 5.8.4 Activation d'une élévation d'urgence (boîtier de contrôle CBJ Care, CBJ1)



En cas de panne de la télécommande, il est possible d'élever la flèche au moyen du bouton d'élévation d'urgence. Utilisez un objet pointu, comme un crayon, pour appuyer sur le bouton.

1. Pour élever la flèche, appuyez sur le bouton Ⓑ à l'avant du boîtier de contrôle et maintenez-le enfoncé.
2. Relâchez le bouton pour arrêter l'élévation de la flèche.

### 5.8.5 Activation d'un abaissement mécanique d'urgence

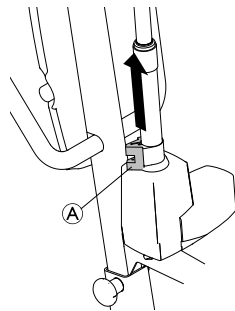
Si l'abaissement d'urgence sur le boîtier de contrôle ne fonctionne pas, vous pouvez utiliser un abaissement d'urgence mécanique de secours. Cela peut arriver en cas de panne électrique partielle ou totale, ou de décharge de la batterie en cours d'utilisation.

**AVERTISSEMENT !****Risque de blessure ou de dommage matériel**

L'utilisation répétée de l'abaissement d'urgence mécanique entraîne une augmentation importante de la vitesse d'abaissement.

- L'abaissement d'urgence mécanique ne doit être utilisé que comme fonction de secours, lorsque l'abaissement d'urgence du boîtier de contrôle ne fonctionne pas.
- Vous ne devez pas utiliser l'abaissement d'urgence mécanique à plusieurs reprises de façon rapprochée.
- Abaissez toujours le patient sur une surface solide, comme un lit ou une chaise.
- Lorsqu'un abaissement d'urgence mécanique a été nécessaire, le lève-personne doit ensuite être vérifié afin de réparer le dysfonctionnement du boîtier de contrôle.

1. Repérez la poignée d'urgence rouge **A** au bas du piston du vérin.
2. Tirez lentement la poignée d'urgence rouge **A** vers le haut et maintenez-la en place lorsqu'une vitesse d'abaissement correcte est atteinte.
3. Si l'abaissement ne se produit pas alors que la poignée d'urgence rouge **A** est tirée à fond, poussez en même temps la flèche vers le bas.



La vitesse d'abaissement effective dépend du poids du patient. Si la vitesse est insuffisante ou trop élevée, elle peut être adaptée au poids du patient.

Réglage de la vitesse d'abaissement :

1. Repérez la vis située dans le trou inférieur de la poignée d'urgence rouge **A**.
2. Faites tourner la vis dans le sens inverse des aiguilles d'une montre pour augmenter la vitesse.
3. Faites tourner la vis dans le sens des aiguilles d'une montre pour diminuer la vitesse.

## 5.9 Recharge de la batterie

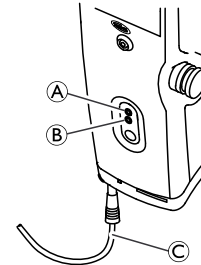
**! IMPORTANT !**

- Assurez-vous que l'arrêt d'urgence n'est pas actionné pendant le chargement de la batterie.
- Veillez à ce que le chargement soit effectué dans une pièce bien ventilée.
- Les fonctions électriques ne peuvent pas être utilisées lorsque le lève-personne est raccordé à une alimentation électrique.
- N'essayez pas d'utiliser le lève-personne si le bloc batterie est endommagé.
- Remplacez un bloc batterie endommagé avant toute nouvelle utilisation.
- Avant de déplacer le lève-personne, veillez à le débrancher.

Un chargement quotidien de la batterie est recommandé afin d'optimiser l'utilisation du lève-personne et de prolonger la durée de vie de la batterie. Il est par ailleurs conseillé de charger la batterie avant la première utilisation.

### 5.9.1 Boîtier de contrôle CBJ Home

Le boîtier de contrôle est équipé d'un signal sonore. Un bip indique que la batterie est déchargée, mais que l'abaissement du patient reste possible. Il est recommandé de recharger les batteries dès que le signal sonore est émis.



1. Branchez le cordon d'alimentation **C** sur une prise de courant.



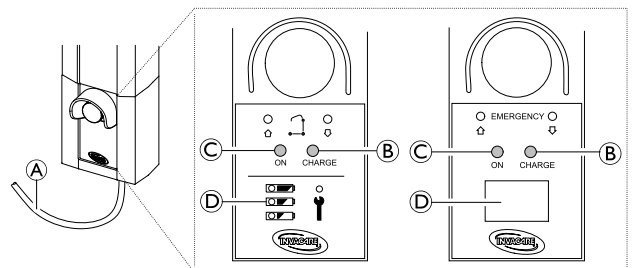
La batterie se charge en 4 heures environ. Le chargeur s'arrête automatiquement dès qu'elle est complètement rechargée.

Le témoin supérieur jaune **A** clignote pendant le chargement, puis reste allumé en fixe dès que l'opération est terminée.

Le témoin inférieur vert **B** reste allumé en continu lorsque le boîtier de contrôle est branché sur le secteur, et s'allume lorsque l'utilisateur appuie sur un bouton de la télécommande ou active le dispositif d'abaissement d'urgence.


2. Déconnectez le cordon d'alimentation de la prise de courant quand la batterie est complètement chargée.

### 5.9.2 Boîtier de contrôle CBJ Care, CBJ1, CBJ2



Le boîtier de contrôle est équipé d'un signal sonore. Un bip indique que la batterie est déchargée, mais que l'abaissement du patient reste possible. Il est recommandé de recharger les batteries dès que le signal sonore est émis.

1. Branchez le cordon d'alimentation **A** sur une prise de courant.

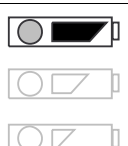
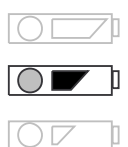
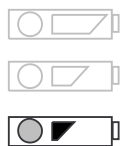
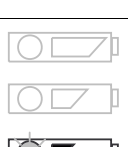
 La batterie se charge en 4 heures environ. Le chargeur s'arrête automatiquement dès qu'elle est complètement rechargée. Le témoin droit jaune **B** reste allumé pendant le chargement, puis s'éteint dès que l'opération est terminée. Le témoin vert gauche **C** reste allumé en continu lorsque le boîtier de contrôle est branché sur le secteur.

2. Débranchez le cordon d'alimentation **A** de la prise de courant quand la batterie est complètement chargée.

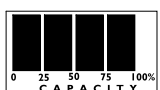

### Témoin de batterie

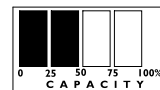
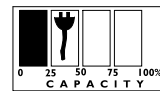
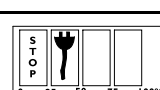
Selon le modèle, le boîtier de contrôle peut comporter un témoin de batterie **D** qui indique la capacité restante de la batterie.

### CBJ Care

Type de témoin de batterie	État de la batterie	Description
	Charge complète	La batterie n'a pas besoin d'être rechargée (charge comprise entre 100 et 50 %). La LED du haut est VERTE.
	Charge partielle	La batterie a besoin d'être rechargée (charge comprise entre 50 et 25 %). La LED du milieu est JAUNE.
	Charge insuffisante	La batterie a besoin d'être rechargée (charge inférieure à 25 %). Un signal sonore est émis lorsque vous appuyez sur un bouton. La LED du bas est JAUNE.
	Charge insuffisante (LED clignotante)	La batterie a besoin d'être rechargée. Certaines des fonctionnalités du lève-personne ne sont plus accessibles et seul l'abaissement de la flèche est possible.




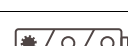
### CBJ1 et CBJ2 avec LCD

Type de témoin de batterie	État de la batterie	Description
	Charge complète (100 %)	La batterie n'a pas besoin d'être rechargée (100 %).
	Charge partielle (75 %)	La batterie n'a pas besoin d'être rechargée (75 %).

Type de témoin de batterie	État de la batterie	Description
	Charge partielle (50 %)	La batterie a besoin d'être rechargée (50 %).
	Charge insuffisante (25 %)	La batterie a besoin d'être rechargée (25 %). Un signal sonore est émis lorsque vous appuyez sur un bouton.
	Charge insuffisante (0 %)	La batterie a besoin d'être rechargée. Certaines des fonctionnalités du lève-personne ne sont plus accessibles et seul l'abaissement de la flèche est possible.


### Télécommande en option

Une télécommande en option avec témoin de batterie est disponible pour le modèle CBJ Care.

Type de témoin de batterie	État de la batterie	Description
	Charge complète	La batterie n'a pas besoin d'être rechargée (charge comprise entre 100 et 50 %). La LED de droite est VERTE.
	Charge partielle	La batterie a besoin d'être rechargée (charge comprise entre 50 et 25 %). La LED du milieu est JAUNE.
	Charge insuffisante	La batterie a besoin d'être rechargée (charge inférieure à 25 %). Un signal sonore est émis lorsque vous appuyez sur un bouton. La LED de gauche est JAUNE.
	Charge insuffisante (LED clignotante)	La batterie a besoin d'être rechargée. Certaines des fonctionnalités du lève-personne ne sont plus accessibles et seul l'abaissement de la flèche est possible.

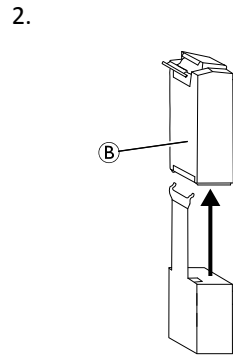
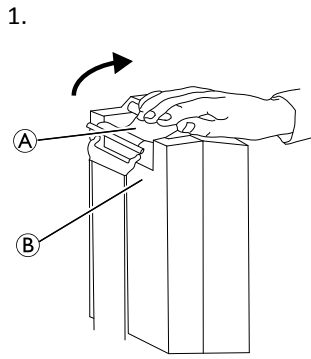
### 5.9.3 Chargeur de batterie en option

(pour les boîtiers de contrôle avec batterie amovible uniquement)

 La procédure de démontage ou d'installation de la batterie est identique pour le boîtier de contrôle et le chargeur.

### Retrait de la batterie





1. Soulevez la poignée (A) à l'arrière de la batterie (B).
2. Soulevez la batterie pour la retirer du boîtier de contrôle ou du chargeur.

#### Installation de la batterie

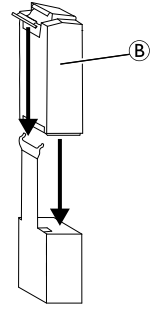


#### ATTENTION !

Une mise en place incorrecte de la batterie est susceptible d'entraîner des blessures ou des dégâts matériels.

- Assurez-vous qu'un déclic se fait entendre lors de la mise en place de la batterie dans le boîtier de contrôle ou le chargeur pour vous assurer qu'elle est bien en place.

1. Placez la batterie (B) dans le boîtier de contrôle ou le chargeur comme indiqué ; vous devez entendre un déclic.



Lorsque la batterie est en place dans le chargeur, la LED de chargement doit s'allumer. Le chargement terminé, la LED de chargement s'éteint.

Le rechargement complet d'une batterie exige environ quatre heures.

## 6 Transfert du patient

### 6.1 Informations de sécurité générales



#### AVERTISSEMENT !

##### Risque de blessure ou de dommage matériel

Une utilisation inadéquate de ce produit est susceptible d'entraîner des blessures ou des dommages matériels.

- Avant tout transfert sur un emplacement fixe (fauteuil roulant, lit, chaise toilettes ou autre surface), assurez-vous que la capacité du fauteuil roulant est suffisante pour supporter le poids du patient.
- Le cas échéant, les freins de l'emplacement fixe (fauteuil roulant, lit, etc.) doivent être embrayés avant de faire descendre ou de soulever le patient.
- Lorsque le lève-personne est utilisé avec des lits ou des fauteuils roulants, veillez à la position du lève-personne par rapport à celle de ces autres appareils afin de ne pas coincer le lève-personne.
- Avant de positionner les pieds du lève-personne sous un lit, assurez-vous que la zone est exempte d'obstacles.



#### AVERTISSEMENT !

##### Risque de blessure ou de dommage matériel

Une utilisation inadéquate de ce produit est susceptible d'entraîner des blessures ou des dommages matériels.

- Utilisez toujours les barres de poussée se trouvant sur le mât pour pousser ou tirer le lève-personne.
- Évitez d'utiliser le lève-personne sur une pente. Invacare recommande d'utiliser le produit sur des surfaces planes exclusivement.
- Pendant le transfert, alors que le patient est suspendu dans la sangle fixée au lève-personne, ne faites pas rouler le lève-personne sur des surfaces inégales qui risqueraient de le faire basculer.
- Pendant le transfert, alors que le patient est suspendu dans une sangle, maintenez les pieds dans la position d'ouverture maximale pour une stabilité optimale. S'il est nécessaire de passer par un passage étroit, fermez les pieds aussi longtemps que nécessaire et revenez au plus vite à la position d'ouverture maximale.



#### AVERTISSEMENT !

##### Risque de blessure ou de dommage matériel

Tout dommage occasionné aux pièces du lève-personne (télécommande, roulettes, etc.) suite à un impact avec le sol, les murs ou autres emplacements fixes est susceptible de détériorer le produit et d'entraîner des blessures.

- Évitez impérativement tout choc entre les pièces du lève-personne et le sol, les murs et autres emplacements fixes.
- Rangez toujours la télécommande lorsqu'elle n'est pas utilisée.



#### AVERTISSEMENT !

##### Risque de blessure

Il existe un risque de blessure pour le patient et/ou la tierce-personne

- Prenez toujours garde à la position du bras de levage et du patient.
- Prenez toujours garde à la position de la plaque repose-pieds, et plus particulièrement à la position du patient sur la plaque.
- Avant de positionner les pieds du lève-personne autour du patient, assurez-vous que les pieds du patient sont à l'abri de la plaque repose-pieds.
- Vérifiez toujours que la plaque repose-pieds et/ou les pieds du patient sont secs avant d'effectuer un transfert.



#### AVERTISSEMENT !

##### Risque de coincement/strangulation

Le cordon de la télécommande peut occasionner des blessures s'il n'est pas positionné et rangé correctement.

- Contrôlez toujours l'emplacement du cordon de la télécommande par rapport au patient et aux soignants.
- Veillez à ce que le cordon de la télécommande ne s'enroule pas autour du patient et des soignants.
- La télécommande doit être rangée correctement. Rangez TOUJOURS la télécommande lorsqu'elle n'est pas utilisée.



#### AVERTISSEMENT !

##### Risque de coincement/strangulation

Les objets qui se trouvent à proximité du patient sont susceptibles d'entraîner un coincement ou une strangulation lors des procédures de levage. Pour éviter tout risque de coincement ou de strangulation :

- Avant le levage, assurez-vous que le patient est complètement dégagé des objets qui l'entourent.



#### AVERTISSEMENT !

##### Risque de coincement

Il existe un risque de coincement entre les crochets et la sangle.

- Prenez toutes les précautions nécessaires lors des opérations de levage.
- Ne placez jamais vos mains ou vos doigts sur ou à côté des crochets lors des opérations de levage.
- Veillez à ce que les mains et les doigts du patient soient éloignés des crochets lors des opérations de levage.



#### AVERTISSEMENT !

##### Risque de blessure

Il existe un risque de blessure pour le patient et/ou la tierce-personne :

- Si le bras de levage et/ou l'appui sous-rotulien ne sont pas correctement réglés à la hauteur du patient.
- Si le réglage du bras de levage n'est pas verrouillé, si le bras est endommagé ou si certaines pièces sont usées.

**! IMPORTANT !**  
Toutes les procédures de transfert décrites ci-après peuvent être effectuées par une (1) tierce-personne. Toutefois, dans la mesure du possible, Invacare recommande que ces procédures soient effectuées par deux tierces-personnes.

**i** Le patient ne doit être soulevé qu'à la hauteur strictement nécessaire. Avec un centre de gravité plus bas, la stabilité est meilleure, le patient se sent plus en sécurité et le déplacement du lève-personne est facilité.

## 6.2 Installation de la sangle sur le lève-personne

**! AVERTISSEMENT !**  
**Risque de blessure**  
L'utilisation de sangles non adaptées ou endommagées peut provoquer la chute du patient ou occasionner des blessures aux tierces-personnes.

- Utilisez une sangle approuvée par Invacare et recommandée par le médecin, l'infirmier ou l'assistant médical afin d'assurer la sécurité et le confort du patient durant la levée.
- Les sangles et accessoires pour lève-personne Invacare sont spécialement conçus pour être utilisés en combinaison avec les lève-personne Invacare.
- Après chaque lavage (conformément aux instructions figurant sur la sangle), assurez-vous que les sangles ne sont pas usées, déchirées ou décousues.
- Toute sangle javellisée, déchirée, coupée, effilochée ou endommagée est dangereuse et risque d'occasionner des blessures. Jetez-la immédiatement.
- NE modifiez PAS les sangles.

**! AVERTISSEMENT !**  
**Risque de blessure**  
Des sangles mal installées ou mal réglées peuvent provoquer la chute du patient ou occasionner des blessures aux tierces-personnes.

- Vérifiez les attaches de la sangle chaque fois qu'une sangle est retirée et remplacée, afin de vous assurer qu'elle est bien fixée avant de déplacer le patient à partir d'un emplacement fixe (lit, chaise ou chaise toilette).
- N'UTILISEZ AUCUN type de serviette d'incontinence plastifiée ni coussin d'assise entre le patient et les sangles afin d'éviter que le patient ne glisse de la sangle pendant le transfert.
- Positionnez le patient dans la sangle conformément aux instructions fournies avec cette dernière.
- Les réglages de sécurité et de confort du patient doivent être effectués avant le déplacement de ce dernier.

Les boucles de la sangle peuvent être équipées de parties portant un code couleur fournissant des longueurs différentes et permettant de placer le patient dans différentes positions.

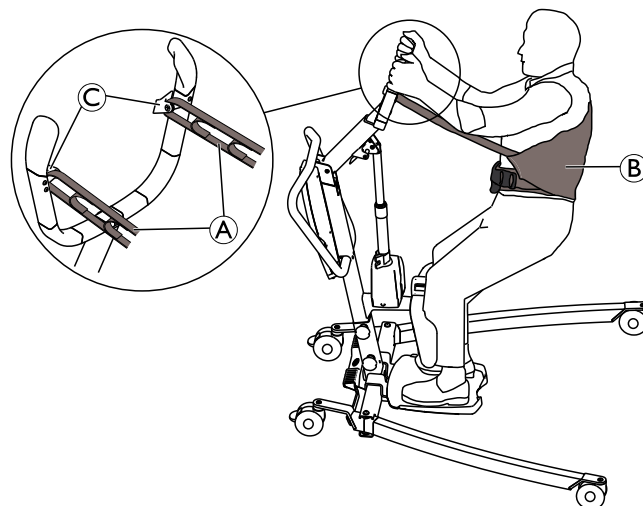
Faites correspondre les couleurs de chaque côté de la sangle pour un soulèvement uniforme du patient.

### Sangle Invacare® Stand Assist



#### AVERTISSEMENT ! Risque de blessure

- Avec une sangle Stand Assist, le patient doit être en mesure de supporter une partie importante de son propre poids.
- Assurez-vous que le bord inférieur de la sangle Stand Assist est positionné dans le bas du dos du patient et que les bras de celui-ci sont à l'extérieur de la sangle.
- La ceinture doit être bien ajustée pour empêcher le patient de glisser de la sangle.



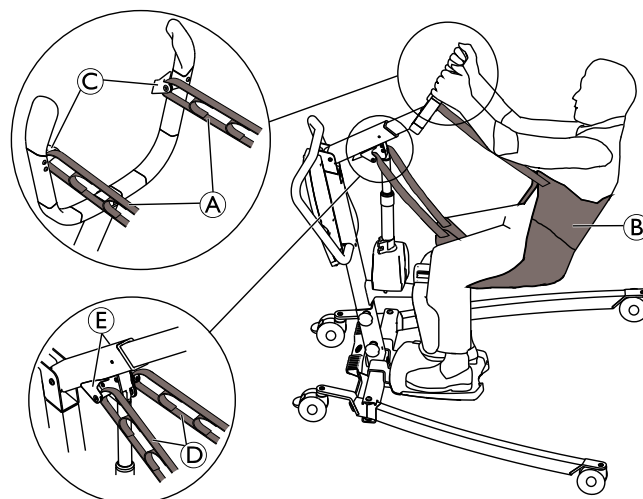
1. Positionnez les boucles (A) de la sangle (B) au-dessus des crochets (C) du bras de levage.

### Sangle Invacare® Transfer Stand Assist



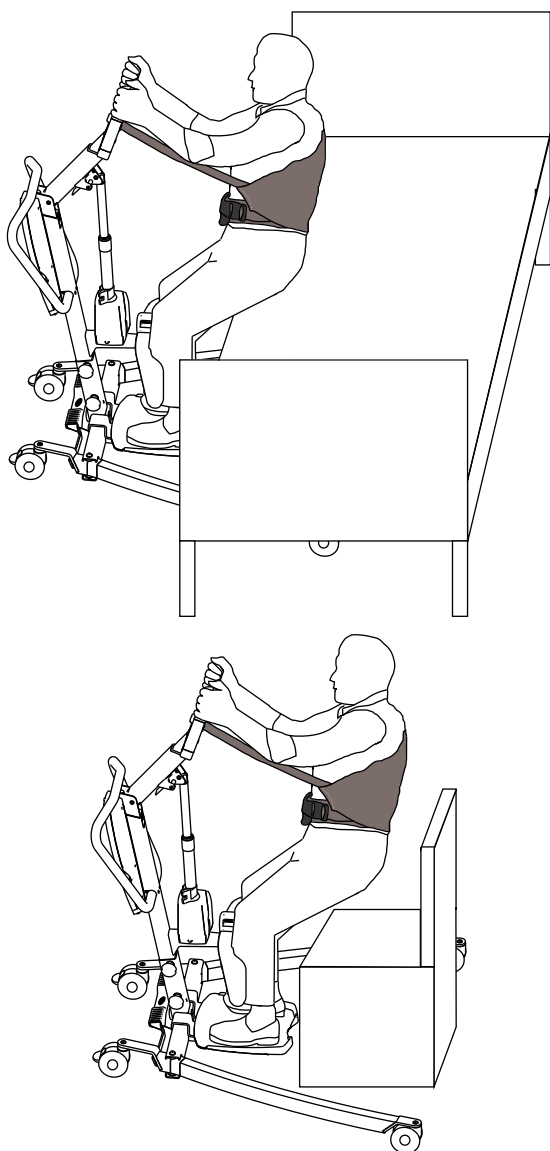
#### AVERTISSEMENT ! Risque de blessure

- Assurez-vous que le bord inférieur de la sangle Transfer Stand Assist est positionné à la base de la colonne vertébrale du patient et que les bras de celui-ci sont à l'extérieur de la sangle.
- Ne placez jamais complètement le patient en position debout lors de l'utilisation de la sangle Transfer Stand Assist



1. Positionnez les boucles supérieures (A) de la sangle (B) au-dessus des crochets (C) du bras de levage.
2. Positionnez les boucles inférieures (A) de la sangle (B) au-dessus des crochets (E) de la flèche.

### 6.3 Transfert d'un patient




#### Élévation à partir d'une assise

1. Avant de continuer, consultez les informations et tenez compte de toutes les mises en garde indiquées dans les sections 2 *Sécurité*, page 99 et 6 *Transfert du patient*, page 114
2. Le cas échéant, assurez-vous que les freins de l'emplacement fixe (lit, fauteuil roulant etc.) sont embrayés.
3. Positionnez la sangle autour du patient. Reportez-vous au manuel d'utilisation fourni avec votre sangle.
4. Réglez le bras de levage à la hauteur du patient, si nécessaire. Reportez-vous à la section 5 *Utilisation*, page 108
5. Déverrouillez les roulettes arrière du lève-personne. Reportez-vous à la section 5 *Utilisation*, page 108
6. Ouvrez les pieds du lève-personne au maximum. Reportez-vous à la section 5 *Utilisation*, page 108

7. Utilisez la barre de poussée pour positionner le lève-personne.
  - Pour transférer un patient à partir d'un lit, les pieds du lève-personne sont placés sous le lit
  - Pour transférer un patient à partir d'un fauteuil roulant, d'une chaise toilettes, d'un fauteuil, etc., les pieds du lève-personne sont placés de chaque côté de l'emplacement fixe.
8. Demandez au patient de placer ses pieds sur la plaque repose-pieds et la partie inférieure de ses jambes contre l'appui sous-rotulien. Aidez-le, si nécessaire et vérifiez le bon positionnement des pieds sur la plaque repose-pieds
9. Vérifiez que le bord supérieur du coussin de l'appui sous-rotulien est placé environ 2 doigts au-dessous des rotules (patella) du patient. Si nécessaire, réglez la hauteur de l'appui sous-rotulien. Reportez-vous à la section 5 *Utilisation*, page 108
10. Le cas échéant, réglez et enroulez la sangle appui-mollets autour de la partie inférieure des jambes du patient. Reportez-vous à la section 5 *Utilisation*, page 108
11. Abaissez le lève-personne pour faciliter la fixation de la sangle. Reportez-vous à la section 5 *Utilisation*, page 108
12. Verrouillez les roulettes arrière du lève-personne. Reportez-vous à la section 5 *Utilisation*, page 108
13. Fixez la sangle. Reportez-vous à la section 6.2 *Installation de la sangle sur le lève-personne*, page 115
14. Déverrouillez les roulettes arrière du lève-personne. Reportez-vous à la section 5 *Utilisation*, page 108
15. Demandez au patient de se tenir aux poignées placées de part et d'autre du bras de levage.
16. Demandez au patient de s'adosser dans la sangle.
17. Appuyez sur le bouton flèche HAUT de la télécommande pour élever le patient au-dessus de l'emplacement fixe. Reportez-vous à la section 5 *Utilisation*, page 108
18. Avant de déplacer le patient, assurez-vous à nouveau que la sangle est correctement reliée aux crochets du bras de levage. Si l'une des attaches n'est pas correctement installée, redescendez le patient sur l'emplacement fixe et corrigez le problème.
19. Éloignez le lève-personne de l'emplacement fixe à l'aide de la barre de poussée.

#### Abaissement vers une assise

1. Avant de continuer, consultez les informations et tenez compte de toutes les mises en garde indiquées dans les sections 2 *Sécurité*, page 99 et 6 *Transfert du patient*, page 114
2. Assurez-vous que le patient est suffisamment élevé pour dégager la surface sur laquelle le transfert doit être effectué. Élevez le patient et/ou abaissez l'emplacement fixe, le cas échéant.
3. Le cas échéant, assurez-vous que les freins de l'emplacement fixe (lit, fauteuil roulant etc.) sont embrayés.
4. Positionnez le patient aussi haut que possible au-dessus de l'emplacement fixe.
  - Pour transférer un patient vers un lit, les pieds du lève-personne sont placés sous le lit
  - Pour transférer un patient vers un fauteuil roulant, une chaise toilettes, un fauteuil, etc., les pieds du lève-personne sont placés de chaque côté de l'emplacement fixe.

5. Appuyez sur le bouton flèche BAS et abaissez le patient sur l'assise. Reportez-vous à la section *5 Utilisation, page 108*
6. Verrouillez les roulettes arrière du lève-personne. Reportez-vous à la section *5 Utilisation, page 108*
7. Décrochez la sangle de tous ses points d'attache au lève-personne verticalisateur.
8. Le cas échéant, retirez la sangle appui-mollets de la partie inférieure des jambes du patient. Reportez-vous à la section *5 Utilisation, page 108*
9. Demandez au patient de retirer ses pieds de la plaque repose-pieds. Aidez-le, si nécessaire.
10. Déverrouillez les roulettes arrière du lève-personne. Reportez-vous à la section *5 Utilisation, page 108*
11. Éloignez le lève-personne de l'emplacement fixe.
12. Dégagez le patient de la sangle.
  -  Le patient peut rester dans la sangle Invacare® Stand Assist lors de l'utilisation de la chaise toilettes. Dans ce cas, la sangle ne doit pas être replacée autour du patient avant qu'il ne soit élevé de la chaise toilettes.

---

## 7 Transport et stockage

---

### 7.1 Informations générales

Pendant le transport, ou si le lève-personne ne doit pas être utilisé sur une période prolongée, enfoncez le bouton d'arrêt d'urgence.

Une fois démonté, le lève-personne peut être transporté ou stocké dans son carton d'emballage.

Le lève-personne doit être stocké à température ambiante. En cas de stockage dans un environnement humide ou froid, le moteur et les autres pièces risquent d'être endommagés par la corrosion. Reportez-vous à la section *11.4 Conditions ambiantes, page 126*

### 7.2 Démontage du lève-personne

1. Retirez le levier du système d'écartement des pieds, le cas échéant.
2. Abaissez la flèche et fermez complètement les pieds.
3. Activez le bouton d'arrêt d'urgence et actionnez les freins des roulettes.
4. Réglez le bras de levage à la longueur minimale. Reportez-vous à la section *5.5 Réglage du bras de levage à la taille du patient, page 109*
5. Appliquez la procédure décrite dans le chapitre *4.6 Installation de l'appui sous-rotulien, page 106* en commençant par la fin.
6. Appliquez la procédure décrite dans le chapitre *4.3 Installation du mât sur la base, page 105* en commençant par la fin.
7. Appliquez la procédure décrite dans le chapitre *4.4 Installation de la plaque repose-pieds, page 106* en commençant par la fin.

## 8 Maintenance

### 8.1 Informations de maintenance générales



#### ATTENTION !

##### Risque de blessure ou de dommage matériel

- Vous ne devez effectuer aucune procédure de maintenance ou d'entretien tant que le produit est en cours d'utilisation.

Suivez les procédures de maintenance décrites dans le présent manuel pour préserver le bon fonctionnement du produit.

D'autres procédures de maintenance et d'inspection, qui doivent être effectuées par un technicien qualifié, sont décrites dans le manuel de maintenance du produit. Les manuels de maintenance peuvent être obtenus auprès d'Invacare.

### 8.2 Vérifications quotidiennes



#### AVERTISSEMENT !

##### Risque de blessure ou de dommage matériel

- Des éléments endommagés ou usés peuvent affecter la sécurité du lève-personne.
- Le lève-personne doit être vérifié à chaque utilisation.
  - Si vous constatez qu'une partie est endommagée ou si vous doutez de la sécurité d'un élément du lève-personne, vous ne devez pas l'utiliser. Contactez votre fournisseur Invacare immédiatement et veillez à ce que le lève-personne ne soit pas utilisé jusqu'à sa réparation.

#### Liste des vérifications quotidiennes

- Procédez à un examen visuel du lève-personne. Assurez-vous que les pièces ne sont pas abîmées ni usées.
- Vérifiez toutes les pièces, les points de fixation et les éléments qui sont soumis à des contraintes, tels que les sangles, les crochets et les points de pivotement afin de contrôler qu'ils ne présentent pas de signes de craquelure, d'effilochement, de déformation ou de détérioration.
- Vérifiez que la télécommande fonctionne (levage et mouvement des pièces).
- Chargez la batterie chaque fois que le lève-personne est utilisé.
- Vérifiez la fonction d'arrêt d'urgence.

- Vérifiez le témoin lumineux de révision (boîtier de contrôle CBJ Care uniquement).



Le témoin lumineux de révision est signalé par le symbole d'une clé plate figurant sur le boîtier de contrôle et, le cas échéant, sur la télécommande.

- Si le témoin lumineux de révision s'allume en jaune et clignote, cela signifie que le lève-personne a besoin d'une révision. N'utilisez pas le lève-personne et contactez votre fournisseur Invacare pour une révision.
- Si le témoin lumineux de révision ne clignote pas, le lève-personne est prêt à l'emploi.

### 8.3 Nettoyage et désinfection

#### 8.3.1 Informations de sécurité générales



#### ATTENTION !

##### Risque de contamination

- Prenez toutes les précautions nécessaires pour vous protéger et portez un équipement de protection adéquat.



#### ATTENTION !

##### Risque de décharge électrique et de détérioration du produit

- Éteignez l'appareil et débranchez-le du secteur, le cas échéant.
- Lors du nettoyage de composants électroniques, tenez compte de leur classe de protection concernant la pénétration d'eau.
- Assurez-vous qu'il n'y ait pas d'éclaboussures d'eau sur la fiche ou la prise murale.
- Ne touchez pas la prise électrique avec les mains mouillées.



#### IMPORTANT !

Des méthodes ou des liquides inappropriés risqueraient de blesser quelqu'un ou d'endommager le produit.

- Tous les désinfectants et agents de nettoyage utilisés doivent être efficaces, compatibles entre eux et protéger les surfaces qu'ils sont censés nettoyer.
- N'utilisez jamais d'agents de nettoyage corrosifs (alcalins, acides, etc.) ou abrasifs. Nous recommandons d'utiliser un agent de nettoyage ménager ordinaire, comme du liquide vaisselle, sauf indication contraire dans les instructions de nettoyage.
- N'utilisez jamais de solvant (diluants cellulose, acétone, etc.) qui modifie la structure du plastique ou dissout les étiquettes apposées.
- Procédez à un séchage complet du produit avant toute nouvelle utilisation.



Pour le nettoyage et la désinfection en environnement clinique ou de soins à long terme, suivez les procédures internes.

### 8.3.2 Fréquence de nettoyage

- !** **IMPORTANT !**  
 Une désinfection et un nettoyage réguliers garantissent un bon fonctionnement, augmentent la durée de vie et permettent d'éviter toute contamination.  
 Nettoyez et désinfectez le produit
- régulièrement lors de son utilisation,
  - avant et après toute procédure d'entretien,
  - lorsqu'il a été en contact avec des fluides corporels, quels qu'ils soient,
  - avant de l'utiliser pour un nouvel utilisateur.

### 8.3.3 Consignes de nettoyage

- !** **IMPORTANT !**  
 – Le produit ne doit pas être nettoyé dans des installations de lavage automatique, équipées de systèmes de nettoyage à haute pression ou à la vapeur.

#### Nettoyage du lève-personne

Méthode : essuyez à l'aide un chiffon humide ou d'une brosse souple.

Température maximale : 40 °C


Solvant/produit chimique : agent de nettoyage ordinaire à usage ménager et eau.

Séchage : essuyez avec un chiffon doux.

#### Nettoyage de la sangle

Reportez-vous aux instructions de lavage figurant sur la sangle et dans le manuel qui l'accompagne pour plus de précisions sur le nettoyage.

### 8.3.4 Instructions de désinfection

-  Des informations complémentaires sur les méthodes et les désinfectants recommandés peuvent être consultées à l'adresse <https://vah-online.de/en/for-users>.

#### Dans les soins à domicile

Méthode : suivez les consignes d'application du désinfectant utilisé et essuyez toutes les surfaces accessibles pour les désinfecter.

Désinfectant : désinfectant ordinaire à usage domestique.

Séchage : laissez sécher le produit à l'air.

#### Dans les soins cliniques et à long terme

Suivez vos procédures de désinfection internes et utilisez uniquement les désinfectants et méthodes préconisés.

### 8.4 Intervalle entre les révisions



#### AVERTISSEMENT !

#### Risque de blessure ou de dommage matériel

Les révisions doivent être effectuées uniquement par un technicien qualifié.

- Contactez votre fournisseur Invacare pour effectuer un entretien.

L'entretien doit être effectué au moins tous les 12 mois, sauf obligations locales différentes.



## 9 Après l'utilisation

### 9.1 Mise au rebut



#### AVERTISSEMENT !

#### Risque pour l'environnement

L'appareil contient des batteries. Ce produit peut contenir des substances nuisibles à l'environnement s'il est jeté dans un endroit (décharge) non conforme à la législation en vigueur.

- NE JETEZ PAS les batteries avec les déchets ménagers.
- Les batteries DOIVENT être portées dans un site prévu à cet effet. Le retour est obligatoire et gratuit.
- Seules des batteries déchargées doivent être mises au rebut.
- Couvrez les bornes des batteries au lithium avant leur mise au rebut.
- Pour plus d'informations sur le type de batterie, reportez-vous à l'étiquette de la batterie ou au chapitre 11 *Caractéristiques Techniques*, page 124

Préservez l'environnement en faisant recycler ce produit en fin de vie dans un centre de recyclage.

Désassemblez le produit et ses composants afin que les différents matériaux puissent être séparés et recyclés individuellement.

La mise au rebut et le recyclage des produits usagés et de l'emballage doivent respecter la législation et les règlements relatifs à la gestion des déchets de chaque pays. Contactez votre organisme local de traitement des déchets pour plus d'informations.

### 9.2 Reconditionnement

Ce produit peut être réutilisé. Pour reconditionner le produit en vue de son utilisation par un nouvel utilisateur, il convient d'effectuer les opérations suivantes :

- Nettoyage et désinfection
- Inspection conformément au programme de maintenance

Pour plus d'informations sur l'examen, le nettoyage et la désinfection, consultez le manuel d'utilisation et le manuel de maintenance du produit.

## 10 Dépannage

### 10.1 Identification des pannes et solutions possibles


Symptômes	Dysfonctionnements	Solution
Le lève-personne semble instable	Les joints du mât ou de la base sont desserrés	Resserrez la connexion du mât/de la base. Reportez-vous à la section 4.3 <i>Installation du mât sur la base, page 105</i>
	Le mécanisme du système manuel d'écartement des pieds est desserré	Contactez votre fournisseur Invacare
Roulettes/freins bruyants ou difficiles à manœuvrer	Résidus ou débris dans les engrenages	Nettoyez les roulettes pour retirer les résidus ou débris
	Les roulettes/freins sont endommagés	Contactez votre fournisseur Invacare
Pivots bruyants ou grinçants	Les pivots sont usés ou endommagés	Contactez votre fournisseur Invacare
Le vérin électrique ne parvient pas à élever ou à abaisser la flèche ou les pieds ne s'ouvrent pas ou ne se ferment pas lorsque le bouton est enfoncé	Le connecteur de la télécommande ou du vérin est desserré	Branchez le connecteur de la télécommande ou du vérin. Assurez-vous que les connecteurs sont correctement installés et branchés
	Batterie faible	Rechargez la batterie. Reportez-vous à la section 5.9 <i>Recharge de la batterie, page 111</i>
	Le bouton d'arrêt d'urgence est enfoncé	Tournez le bouton d'arrêt d'urgence dans le sens des aiguilles d'une montre jusqu'à ce qu'il ressorte
	La batterie n'est pas correctement raccordée au boîtier de contrôle	Rebranchez la batterie au boîtier de contrôle. Reportez-vous à la section 5.9.3 <i>Chargeur de batterie en option, page 112</i>
	Les bornes de raccordement sont endommagées	Contactez votre fournisseur Invacare
	Cordon d'alimentation branché sur une prise électrique	Débranchez le cordon d'alimentation de la prise électrique
	Le vérin de flèche ou le vérin de pied est endommagé	Contactez votre fournisseur Invacare
	La charge maximale a été dépassée	Réduisez la charge (le lève-personne devrait fonctionner normalement)
Le vérin émet un bruit inhabituel	Le vérin est endommagé	Contactez votre fournisseur Invacare
La flèche ne s'abaisse pas lors de l'activation du déverrouillage manuel d'urgence	La flèche exige une charge minimale pour s'abaisser à partir de la position haute maximale	Appuyez légèrement sur la flèche
Le boîtier de contrôle émet un bip sonore en cours de levage et le moteur s'arrête	La charge maximale a été dépassée	Réduisez la charge (le lève-personne devrait fonctionner normalement)
La batterie ne se charge pas	Le cordon d'alimentation n'est pas correctement branché dans le boîtier de contrôle et/ou la prise d'alimentation	Assurez-vous que les connecteurs sont correctement installés et branchés. Reportez-vous à la section 5.9 <i>Recharge de la batterie, page 111</i>
	Le cordon d'alimentation est endommagé	Contactez votre fournisseur Invacare
Le réglage du bras de levage est impossible	Le levier rouge de la flèche n'est pas enfoncé et maintenu vers le haut	Reportez-vous à la section 5.5 <i>Réglage du bras de levage à la taille du patient, page 109</i>
	Le bras de levage est déjà à la position maximale ou minimale	Reportez-vous à la section 5.5 <i>Réglage du bras de levage à la taille du patient, page 109</i>

Symptômes	Dysfonctionnements	Solution
	Le mécanisme de réglage est endommagé	Contactez votre fournisseur Invacare
	La flèche est en position incorrecte	Déplacez la flèche jusqu'à la position horizontale. Reportez-vous à la section 5.3 <i>Élévation et descente du lève-personne électrique</i> , page 108
Il est impossible d'installer ou de régler l'appui sous-rotulien	La poignée de déverrouillage n'est pas enfoncée et maintenue vers le haut	Reportez-vous à la section 4.6 <i>Installation de l'appui sous-rotulien</i> , page 106
	Le mécanisme de réglage est endommagé	Contactez votre fournisseur Invacare
	La sangle appui-mollets obstrue la partie arrière de l'appui sous-rotulien	Dégagez la partie arrière de l'appui sous-rotulien
Le mât ne peut pas être fixé sur la base	La flèche est orientée dans le mauvais sens	Placez la flèche en position correcte. Reportez-vous à la section 4.3 <i>Installation du mât sur la base</i> , page 105
Le lève-personne ne roule pas	Les roulettes sont bloquées	Déverrouillez les roulettes 5.2 <i>Verrouillage/déverrouillage des roulettes arrière</i> , page 108

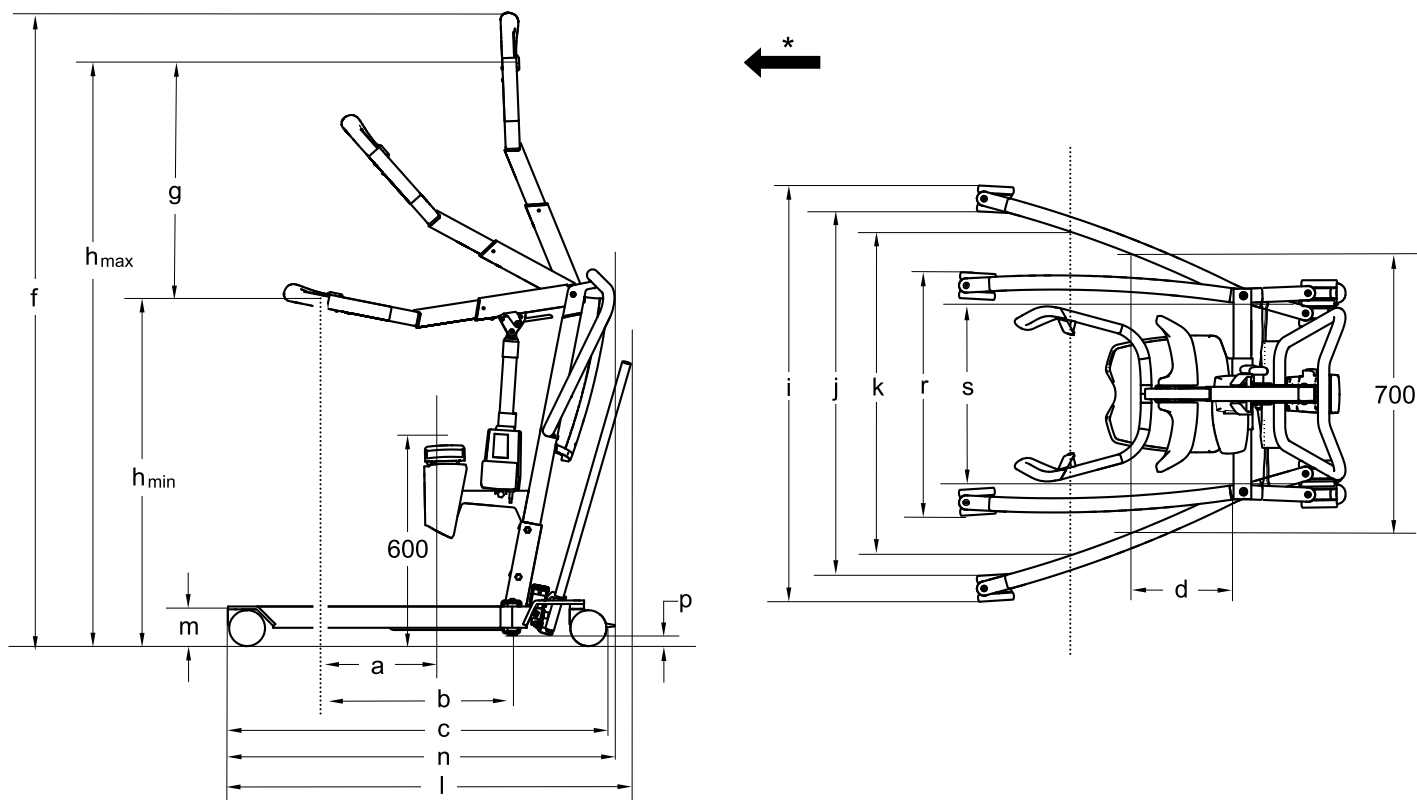
 Si les problèmes persistent après application des solutions suggérées, veuillez contacter votre fournisseur Invacare.

## 11 Caractéristiques Techniques

### 11.1 Charge maximale d'utilisation

	ISA™ COMPACT	ISA™ STANDARD	ISA™ PLUS	ISA™ XPLUS
Charge maximum d'utilisation (patient + sangle)	140 kg	160 kg	180 kg	200 kg

### 11.2 Dimensions et poids



\* Vers l'avant

Dimensions [mm]	ISA™ COMPACT	ISA™ STANDARD	ISA™ PLUS	ISA™ XPLUS
Diamètre des roulettes avant/arrière	75 / 75	100 / 100	100 / 100	100 / 125
Portée max. à 600 mm (a)*	110 - 270	110 - 270	110 - 270	110 - 270
Portée max. à partir de la base (b)*	340 - 500	340 - 500	340 - 500	340 - 500
Longueur de la base (c)	900	925	1080	1220
Longueur totale sans levier (n)	925	925	s/o	s/o
Longueur totale avec levier (l)*	980 - 1000	980 - 1000	1145	1290
Portée à partir de la base avec pieds écartés à 700 mm (d)	420	420	225	225
Hauteur max. (f)*	1635 - 1785	1650 - 1800	1650 - 1800	1650 - 1800
Plage de levage (g)*	505 - 675	505 - 675	505 - 675	505 - 675
Hauteur min. au point d'ancrage de la sangle (h <sub>min</sub> )*	945 - 970	960 - 985	960 - 985	960 - 985
Hauteur max. au point d'ancrage de la sangle (h <sub>max</sub> )*	1475 - 1620	1490 - 1635	1490 - 1635	1490 - 1635

Dimensions [mm]	ISA™ COMPACT		ISA™ STANDARD	ISA™ PLUS	ISA™ XPLUS
	Largeur totale (pieds ouverts), mesure externe (i)	865	885	1110	1170
Largeur totale (pieds ouverts), mesure interne (j)	755	735	960	1020	1020
Largeur totale (pieds fermés), mesure externe (r)	515	535	635	640	640
Largeur interne min. (s)	380	380	495	495	495
Largeur interne à la portée maximale (k)*	640 - 725	640 - 725	775 - 870	775 - 870	775 - 870
Diamètre de braquage	1060	1060	1260	1400	1430
Hauteur jusqu'à la partie supérieure des pieds (m)	100	115	115	115	115
Hauteur libre min. (p)	20	35	35	35	35

\* Plage en fonction de la position complètement rétractée à complètement sortie du bras de levage

Poids des pièces principales [kg]	ISA™ COMPACT	ISA™ STANDARD	ISA™ PLUS	ISA™ XPLUS
Poids total	43	48	49	52
Poids, mât avec batterie	19			20
Poids de la section jambes manuelle	15	20	21	s/o
Poids de la section jambes électrique	s/o	20	21	23
Appui sous-rotulien	5			
Plaque repose-pieds (haute, basse et inclinée)	4			


### 11.3 Système électrique

	ISA™ COMPACT	ISA™ STANDARD	ISA™ PLUS	ISA™ XPLUS
Tension de sortie	24 V CC			
Tension d'alimentation	100 - 240 V CA, 50/60 Hz			
Courant d'entrée maximum	280 mA (pour CBJ Home)/ 400 mA (pour CBJ2)	280 mA (pour CBJ Home)/ 400 mA (pour CBJ1 et CBJ2)	280 mA (pour CBJ Home)/ 400 mA (pour CBJ1, CBJ2 et CBJ Care)	400 mA (pour CBJ1 et CBJ care)
Classe de protection (appareil complet)	IPX4*			
Classe d'isolation	Équipement de classe II			
Pièce appliquée de type B	Pièce appliquée conforme aux exigences spécifiées pour la protection contre les décharges électriques selon la norme IEC 60601-1.			
Niveau sonore	de 45 à 50 dB (A).			
Capacité de travail	82 élévations complètes (avec une batterie chargée à 100 % - 50 %)			
Intermittent (fonctionnement périodique des moteurs)	10 %, 2 min/18 min max.			
Caractéristiques de la batterie	2 x 12 V/2,9 Ah			
Type de batterie	Plomb-acide (sans maintenance, scellée)			
Abaissement manuel d'urgence	Oui (au bas du vérin)			
Abaissement/élévation électrique d'urgence	Oui/Non (pour CBJ2 et CBJ Home)	Oui/Oui (pour CBJ1) Oui/Non (pour CBJ2 et CBJ Home)	Oui/Oui (pour CBJ1 et CBJ Care) Oui/Non (pour CBJ2 et CBJ Home)	Oui/Oui (pour CBJ1 et CBJ care)

\*IPX4 - Le système est protégé contre les éclaboussures d'eau, quelle que soit la direction.

## 11.4 Conditions ambiantes

	Stockage et transport	Utilisation
Température	de -10 °C à +50 °C	de +5 °C à +40 °C
Humidité relative	de 20 % à 90 % à 30 °C, sans condensation	
Pression atmosphérique	de 800 hPa à 1 060 hPa	

 Laissez le produit revenir à la température ambiante avant de l'utiliser :

- Le réchauffement à partir de la température de stockage minimale peut demander plus de 30 minutes.
- Le refroidissement à partir de la température de stockage maximale peut demander plus de 5 minutes.

## 11.5 Matériaux

Composant	Matériau
Base, pieds, mât et flèche	Acier, revêtement poudre
Connecteur de la flèche, boulons et écrous	Acier, plaqué zinc
Poignées	TPE
Crochets de sangle	TPU
Coussin de l'appui sous-rotulien	PU effet peau
Toile de la plaque repose-pieds	PVC, PU

Composant	Matériau
Boîtier du vérin, télécommande, protection du mât, roulettes et autres pièces en plastique	Matériau correspondant au marquage (PA, PP, PE)
Sangle appui-mollets	PA, PES, PVC, PU

Tous les composants du produit sont résistants à la corrosion ou protégés contre la corrosion.

## 11.6 Forces de fonctionnement des commandes

Commande	Force de fonctionnement
Boutons du boîtier de contrôle	4 N
Boutons de la télécommande	4 N
Pédale du modèle ISA™ COMPACT avec roulettes de 100 mm*	270 N
Levier du système d'écartement des pieds du modèle ISA™ COMPACT	64 N
Levier du système d'écartement des pieds du modèle ISA™ STANDARD	70 N
Levier du système d'écartement des pieds du modèle ISA™ PLUS	85 N

\* Pour tous les autres modèles et tailles de roulette, un levier est obligatoire pour le système manuel d'écartement des pieds.

## 12 Compatibilité électromagnétique (CEM)

### 12.1 Informations relatives aux interférences électromagnétiques

L'équipement médical électrique doit être installé et utilisé conformément aux informations relatives aux interférences magnétiques présentes dans ce manuel.

Ce produit a été testé et est certifié conforme aux limites CEM spécifiées dans la norme CEI/EN 60601-1-2 pour les équipements de classe B.

Les appareils de communication RF portables et mobiles peuvent interférer avec le fonctionnement de ce produit.

D'autres appareils peuvent recevoir des interférences même des plus bas niveaux des émissions électromagnétiques autorisées par la norme ci-dessus. Pour déterminer si l'émission de ce produit est à l'origine d'une interférence, mettez ce produit sous puis hors tension. Si l'interférence avec le fonctionnement des autres appareils disparaît, cela signifie que ce produit provoque l'interférence. Dans ces cas rares, l'interférence peut être réduite ou corrigée de l'une des façons suivantes :

- Repositionnez le dispositif, changez-le de place ou augmentez la distance de séparation entre les appareils.

### 12.2 Émissions électromagnétiques

#### Directives et déclaration du fabricant

Ce produit est destiné à être utilisé dans l'environnement électromagnétique décrit ci-dessous. L'utilisateur ou l'acheteur de ce produit doivent s'assurer que le lit est bien utilisé dans un tel environnement.


Test relatif aux émissions	Conformité	Directives relatives à l'environnement électromagnétique
Émissions RF CISPR 11	Groupe I	Ce produit utilise l'énergie RF uniquement pour son fonctionnement interne. Il émet donc des ondes RF très faibles et il est peu probable qu'elles interfèrent avec l'équipement électronique à proximité.
Émissions RF CISPR 11	Classe B	Ce produit peut être utilisé dans tous les établissements, y compris les habitations et les établissements directement connectés au réseau d'alimentation public basse tension qui alimente les bâtiments destinés à accueillir des habitations.
Émissions de courant harmonique CEI 61000-3-2	Classe A	
Fluctuations de tension/émissions de scintillement CEI 61000-3-3	Conforme	

### 12.3 Immunité électromagnétique

#### Directives et déclaration du fabricant

Ce produit est destiné à être utilisé dans l'environnement électromagnétique décrit ci-dessous. L'utilisateur ou l'acheteur de ce produit doivent s'assurer que le lit est bien utilisé dans un tel environnement.

Test d'immunité	Test/Niveau de conformité	Directives relatives à l'environnement électromagnétique
Décharges électrostatiques CEI 61000-4-2	± 8 kV par contact ± 2 kV, ± 4 kV, ± 8 kV, ± 15 kV dans l'air	Le revêtement de sol doit être du bois, du béton ou des carreaux de céramique. Si le sol est recouvert d'un matériau synthétique, l'humidité relative doit être d'au moins 30 %.
Transitoires électriques rapides en salves CEI 61000-4-4	± 2 kV pour les lignes d'alimentation électriques ; 100 kHz en fréquence de répétition ± 1 kV pour les lignes d'entrée et de sortie ; 100 kHz en fréquence de répétition	La qualité du réseau électrique doit être la même que celle du réseau électrique d'un hôpital ou d'un établissement commercial.

Test d'immunité	Test/Niveau de conformité	Directives relatives à l'environnement électromagnétique
Ondes de choc CEI 61000-4-5	± 1 kV de ligne à ligne ± 2 kV de la ligne à la terre	La qualité du réseau électrique doit être la même que celle du réseau électrique d'un hôpital ou d'un établissement commercial.
Creux de tension, coupures brèves et variations de tension sur les lignes d'alimentation électrique CEI 61000-4-11	< 0 % $U_T$ pour 0,5 cycle par incréments de 45° 0 % $U_T$ pour 1 cycle 70 % $U_T$ pour 25/30 cycles < 5 % $U_T$ pour 250/300 cycles	La qualité du réseau électrique doit être la même que celle du réseau électrique d'un hôpital ou d'un établissement commercial. S'il est nécessaire que ce produit continue à fonctionner pendant une coupure de courant, il est recommandé de le brancher sur un système d'alimentation sans coupure ou sur une batterie.  $U_T$ représente la tension d'alimentation secteur avant l'application du niveau de test.
Champ magnétique à la fréquence du réseau (50/60 Hz) CEI 61000-4-8	30 A/m	Les champs magnétiques de fréquence industrielle doivent avoir les mêmes caractéristiques que ceux présents dans un hôpital ou un établissement commercial.
Perturbations conduites, induites par les champs radioélectriques CEI 61000-4-6	3 V 150 kHz à 80 Mhz  6 V en bandes ISM et radioamateur	Il n'est pas possible de prévoir avec précision l'intensité de champ des émetteurs fixes des stations de base des téléphones sans fil/cellulaires ou radios mobiles terrestres, des radios amateurs, et des télédiffusions ou radiodiffusions AM et FM. Afin d'évaluer l'environnement électromagnétique résultant des appareils émetteurs RF fixes, il est nécessaire d'effectuer une étude sur site. Si l'intensité de champ mesurée à l'endroit où le produit est utilisé est supérieure au niveau de conformité applicable aux émissions RF ci-dessus, il sera nécessaire d'observer si ce produit fonctionne normalement. En cas de fonctionnement anormal, il conviendra de prendre d'autres mesures, par exemple déplacer ou réorienter ce produit.  Des interférences peuvent se produire à proximité des appareils comportant le symbole suivant : 
Champs électromagnétiques rayonnés aux fréquences radioélectriques CEI 61000-4-3	10 V/m 80 Mhz à 2,7 GHz  385 MHz - 5 785 MHz spécifications des tests d'immunité aux équipements de communication RF sans fil, reportez-vous au tableau 9 de la norme CEI 60601-1-2:2014	Les équipements de communication RF portables et mobiles doivent être utilisés à une distance minimale de 30 cm de toute partie de ce produit, y compris les câbles.



Ces consignes peuvent ne pas s'appliquer dans certaines situations. La propagation électromagnétique varie selon les propriétés d'absorption et de réflexion des structures, des objets et des personnes.



## Sommario

Il presente manuale deve essere fornito all'utilizzatore del prodotto. PRIMA di utilizzare il prodotto, È NECESSARIO leggere il presente manuale e conservarlo per poterlo consultare in futuro.

<b>1 Generale</b> .....	<b>130</b>
1.1 Introduzione .....	130
1.1.1 Simboli in questo manuale .....	130
1.2 Durata .....	130
1.2.1 Informazioni aggiuntive .....	130
1.3 Limiti di responsabilità .....	130
1.4 Informazioni sulla garanzia .....	130
1.5 Conformità .....	130
1.5.1 Norme specifiche di prodotto .....	130
<b>2 Sicurezza</b> .....	<b>131</b>
2.1 Informazioni generali sulla sicurezza .....	131
2.1.1 Punti di pizzicamento .....	132
2.2 Informazioni di sicurezza sugli accessori .....	132
2.3 Informazioni sulla sicurezza relative alle interferenze elettromagnetiche .....	132
2.3.1 Modalità di ricarica della batteria .....	133
2.4 Etichette e simboli sul prodotto .....	133
2.4.1 Posizione delle etichette .....	133
2.4.2 Etichetta modello .....	133
2.4.3 Altri simboli .....	133
<b>3 Panoramica del prodotto</b> .....	<b>135</b>
3.1 Uso previsto .....	135
3.2 Componenti principali del sollevatore .....	135
3.3 Accessori .....	136
<b>4 Messa in servizio</b> .....	<b>137</b>
4.1 Informazioni generali sulla sicurezza .....	137
4.2 Contenuto della fornitura .....	137
4.3 Montaggio dell'albero sulla base .....	137
4.4 Installazione della pedana .....	138
4.5 Montaggio della fascia per le gambe .....	138
4.6 Montaggio del supporto per le gambe .....	138
4.7 Montaggio della leva per il meccanismo di apertura della base manuale .....	138
4.8 Ripristino dell'indicatore di manutenzione .....	139
<b>5 Uso</b> .....	<b>140</b>
5.1 Informazioni generali sulla sicurezza .....	140
5.2 Bloccaggio/sbloccaggio delle ruote posteriori orientabili .....	140
5.3 Sollevamento/abbassamento di un sollevatore elettrico .....	140
5.4 Chiusura/apertura delle gambe .....	140
5.4.1 Chiusura/apertura elettrica delle gambe .....	140
5.4.2 Chiusura/apertura manuale delle gambe .....	140
5.5 Regolazione del braccio di sollevamento all'altezza del corpo del paziente .....	141
5.6 Regolazione dell'altezza del supporto per le gambe .....	141
5.7 Utilizzo della fascia per le gambe .....	141
5.8 Funzioni di emergenza .....	142
5.8.1 Esecuzione di un arresto di emergenza .....	142
5.8.2 Attivazione di abbassamento di emergenza (centralina CBJ Home) .....	142
5.8.3 Attivazione di abbassamento di emergenza (centralina CBJ Care, CBJ1, CBJ2) .....	142
5.8.4 Attivazione di sollevamento di emergenza (centralina CBJ Care, CBJ1) .....	142
5.8.5 Attivazione di un abbassamento di emergenza meccanico .....	142
5.9 Ricarica della batteria .....	143
5.9.1 Centralina CBJ Home .....	143
5.9.2 Centralina CBJ Care, CBJ1, CBJ2 .....	144
5.9.3 Caricabatteria opzionale .....	145
<b>6 Trasferimento del paziente</b> .....	<b>146</b>
6.1 Informazioni generali sulla sicurezza .....	146
6.2 Attacco dell'imbracatura al sollevatore .....	147
6.3 Trasferimento di un paziente .....	148
<b>7 Trasporto e immagazzinamento</b> .....	<b>150</b>
7.1 Informazioni generali .....	150
7.2 Smontaggio del sollevatore .....	150
<b>8 Manutenzione</b> .....	<b>151</b>
8.1 Informazioni generali per la manutenzione .....	151
8.2 Controlli quotidiani .....	151
8.3 Pulizia e disinfezione .....	151
8.3.1 Informazioni generali sulla sicurezza .....	151
8.3.2 Intervalli di pulizia .....	151
8.3.3 Istruzioni per la pulizia .....	152
8.3.4 Istruzioni per la disinfezione .....	152
8.4 Intervallo di manutenzione .....	152
<b>9 Dopo l'utilizzo</b> .....	<b>153</b>
9.1 Smaltimento .....	153
9.2 Ricondizionamento .....	153
<b>10 Guida alla soluzione dei problemi</b> .....	<b>154</b>
10.1 Identificazione dei guasti e possibili soluzioni .....	154
<b>11 Dati Tecnici</b> .....	<b>156</b>
11.1 Carico massimo per un utilizzo in sicurezza .....	156
11.2 Dimensioni e pesi .....	156
11.3 Impianto elettrico .....	157
11.4 Condizioni ambientali .....	158
11.5 Materiali .....	158
11.6 Forze di esercizio dei controlli .....	158
<b>12 Compatibilità elettromagnetica (EMC)</b> .....	<b>159</b>
12.1 Informazioni generali sulla compatibilità elettromagnetica (EMC) .....	159
12.2 Emissioni elettromagnetiche .....	159
12.3 Immunità elettromagnetica .....	159

# 1 Generale

## 1.1 Introduzione

Il presente manuale d'uso contiene informazioni importanti sul trattamento del prodotto. Per garantire la sicurezza di utilizzo del prodotto, leggere attentamente il manuale d'uso e seguire le istruzioni per la sicurezza.

Si noti che alcune sezioni contenute nel presente documento potrebbero non riguardare il proprio prodotto, in quanto il presente documento si applica a tutti i modelli disponibili (alla data di stampa). Se non specificato diversamente, ogni sezione del presente documento si riferisce a tutti i modelli del prodotto.

I modelli e le configurazioni disponibili nel proprio paese sono riportati nei listini prezzi specifici per paese.

Invacare si riserva il diritto di modificare le specifiche del prodotto senza ulteriore preavviso.

Prima di leggere il presente documento, verificare di essere in possesso dell'ultima versione, disponibile in formato PDF sul sito web Invacare.

Se si ritiene che la dimensione dei caratteri nella versione cartacea del documento sia di difficile lettura, è possibile scaricare dal sito web la versione in formato PDF. Il PDF può essere ingrandito sullo schermo in modo da ottenere una dimensione dei caratteri più facile da leggere.

Per ulteriori informazioni sul prodotto, ad esempio le note sulla sicurezza del prodotto e i richiami di prodotti, si prega di contattare il proprio rappresentante Invacare. Vedere gli indirizzi alla fine del presente documento.

In caso di incidente grave relativo al prodotto, è necessario informare il produttore e l'autorità competente nel proprio paese.

### 1.1.1 Simboli in questo manuale

In questo manuale tutte quelle situazioni non sicure o pericolose che possono portare a lesioni alle persone o danni ai materiali sono evidenziate mediante simboli e avvertimenti. Qui di seguito sono riportate le spiegazioni di tutti i possibili avvertimenti.



#### ATTENZIONE

Indica una situazione pericolosa che, se non evitata, potrebbe essere causa di morte o lesioni gravi.



#### AVVERTENZA

Indica una situazione pericolosa che, se non evitata, potrebbe essere causa di lesioni minori o leggere.



#### IMPORTANTE

Indica una situazione pericolosa che, se non evitata, potrebbe essere causa di danni al prodotto.



#### Consigli e raccomandazioni

Indica consigli, raccomandazioni e informazioni utili per un uso efficace e senza inconvenienti.

## 1.2 Durata

La durata prevista per questo prodotto è di otto anni, a condizione che sia utilizzato quotidianamente e in conformità alle istruzioni per la sicurezza, secondo gli intervalli di manutenzione e l'uso corretto del prodotto come indicato nel presente manuale. La durata effettiva può variare a seconda della frequenza e dell'intensità d'uso.

### 1.2.1 Informazioni aggiuntive

La durata prevista è basata su una media stimata di 4 cicli di sollevamento giornalieri.

## 1.3 Limiti di responsabilità

Invacare non si assume alcuna responsabilità per danni derivanti da:

- Non conformità con il manuale d'uso
- Utilizzo non corretto
- Consumo e usura naturali
- Montaggio o preparazione non corretti da parte dell'acquirente o di terzi
- Modifiche tecniche
- Modifiche non autorizzate e/o utilizzo di pezzi di ricambio non adatti

## 1.4 Informazioni sulla garanzia

Offriamo una garanzia del produttore per il prodotto in conformità di quanto indicato sui Termini e le condizioni generali di vendita applicabili nei rispettivi paesi.

La garanzia può essere fatta valere solo attraverso il fornitore presso il quale è stato acquistato il prodotto.

## 1.5 Conformità

La qualità è fondamentale per l'azienda, che opera nel rispetto e nell'ambito della norma ISO 13485.

Il prodotto è dotato di marchio CE, in conformità al Regolamento Dispositivi Medici 2017/745 Classe 1. La data di lancio di questo prodotto è indicata nella dichiarazione di conformità CE.

Lavoriamo costantemente per garantire che l'impatto ambientale dell'azienda a livello locale e globale sia ridotto al minimo.

Garantiamo di utilizzare esclusivamente materiali e componenti conformi alla direttiva REACH.

Rispettiamo le normative ambientali RAEE e RoHS in vigore.

### 1.5.1 Norme specifiche di prodotto

Il prodotto è stato testato ed è conforme alla norma ISO 10535 (Sollevatori per il trasferimento di persone disabili) e alle norme correlate.

Per ulteriori informazioni sulle norme e le disposizioni locali, contattare il rappresentante locale Invacare. Vedere gli indirizzi alla fine del presente documento.

## 2 Sicurezza

### 2.1 Informazioni generali sulla sicurezza

La presente sezione del manuale contiene informazioni generali sulla sicurezza del prodotto. Per informazioni specifiche sulla sicurezza, consultare l'apposita sezione del manuale e le procedure contenute all'interno di tale sezione.



#### ATTENZIONE!

##### Pericolo di lesioni o danni

- Non utilizzare questo prodotto o nessun altro dispositivo opzionale disponibile senza prima aver letto attentamente e compreso fino in fondo le presenti istruzioni e ogni altro materiale informativo come i manuali d'uso o i fogli di istruzione forniti con questo prodotto o con i dispositivi opzionali. Qualora alcune avvertenze, precauzioni o istruzioni fossero di difficile comprensione, contattare un professionista sanitario, il fornitore Invacare o un tecnico qualificato prima di iniziare a utilizzare questo prodotto.
- Non apportare alterazioni o modifiche non autorizzate al prodotto.



#### ATTENZIONE!

##### Non superare il carico massimo per un utilizzo in sicurezza.

- Non superare il carico massimo per un utilizzo in sicurezza del presente prodotto o degli accessori utilizzati, come imbracature, ecc. Fare riferimento alla documentazione o alle etichette per il carico massimo indicato per un utilizzo in sicurezza.
- Il componente la cui etichetta riporta il limite di carico più basso determina il carico massimo per un utilizzo in sicurezza dell'intero sistema.



#### ATTENZIONE!

##### Pericolo di lesioni o danni

Un uso improprio del prodotto può causare lesioni o danni.

- Non tentare alcun tipo di trasferimento senza l'approvazione del professionista sanitario del paziente.
- Leggere le istruzioni contenute nel presente manuale d'uso e osservare personale appositamente addestrato mentre esegue le procedure di trasferimento, quindi eseguire più volte tali procedure sotto un'adeguata supervisione e con una persona abile che funga da paziente.
- I pazienti che vengono spostati e posizionati tramite il sollevatore Stand Assist DEVONO essere collaborativi, coordinati e avere il controllo della testa e del collo. In caso contrario, possono verificarsi lesioni.
- I pazienti che vengono spostati e posizionati tramite un'imbracatura dotata solo di supporto per la schiena DEVONO essere in grado di sostenere la maggior parte del proprio peso. In caso contrario, potrebbero verificarsi lesioni o danni. Per ulteriori informazioni, fare riferimento al manuale d'uso dell'imbracatura.

- Non utilizzare il sollevatore come dispositivo di trasporto. Esso è destinato a trasferire un paziente da una superficie di seduta a un'altra.



#### ATTENZIONE!

##### Pericolo di lesioni o danni

L'uso improprio dei cavi, collegamenti non corretti e l'utilizzo di apparecchiature non autorizzate possono causare scosse elettriche e mancato funzionamento del prodotto.

- Non piegare, tagliare o altrimenti danneggiare i cavi del prodotto.
- Quando si usa il prodotto controllare che nessun cavo venga schiacciato o danneggiato.
- Assicurarsi che il cablaggio sia corretto e che i collegamenti siano appropriati.
- Non utilizzare attrezzatura non autorizzata.



#### ATTENZIONE!

##### Pericolo di lesioni o danni

L'eccessiva umidità danneggia il prodotto e può provocare scosse elettriche.

- Il sollevatore può essere utilizzato in prossimità di una vasca da bagno o una doccia, ma NON deve essere utilizzato sotto la doccia. È necessario che il paziente venga trasferito su una sedia da doccia o che venga utilizzato un altro mezzo per fare la doccia.
- Se il sollevatore viene utilizzato in un ambiente umido, assicurarsi che il sollevatore sia asciutto e pulito da qualsiasi traccia di umidità dopo l'uso.
- Non collegare o scollegare il cavo di alimentazione in un ambiente umido o con le mani bagnate.
- Non riporre il prodotto in un locale umido o in condizioni di umidità.
- Ispezionare periodicamente tutti i componenti del prodotto per rilevare la presenza di eventuali segni di corrosione o di danni. Sostituire i componenti corrosi o danneggiati.
- Consultare la sezione 11.4 *Condizioni ambientali*, pagina 158



#### ATTENZIONE!

##### Pericolo di lesioni o danni

Fonti di ignizione possono provocare ustioni o incendi.

- Il trasferimento del paziente dovrà essere eseguito con uno spazio di sicurezza tra il sollevatore e le possibili fonti di ignizione (stufe, piani di cottura, camini, ecc.)
- Il paziente e gli assistenti non devono fumare durante il trasferimento.
- L'imbracatura non deve essere posizionato su fonti di calore (stufe, piani di cottura, camini, ecc.)



#### ATTENZIONE!

##### Pericolo di lesioni o danni

Per evitare lesioni o danni durante l'uso del prodotto:

- Prestare la massima attenzione quando si usa il prodotto in presenza di bambini o animali domestici.

- Non permettere ai bambini di giocare con il prodotto.

**AVVERTENZA!****Pericolo di lesioni o danni**

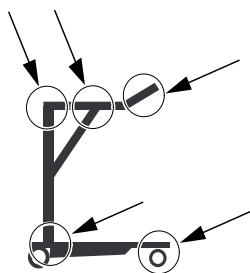
Il prodotto può riscaldarsi se esposto alla luce del sole o ad altre fonti di calore.

- Non esporre il prodotto alla luce diretta del sole per periodi prolungati.
- Tenere il prodotto al riparo da fonti di calore.

**IMPORTANTE!**

L'accumulo di pelucchi, polvere o altro tipo di sporcizia può danneggiare il prodotto.

- Tenere pulito il prodotto.

**2.1.1 Punti di pizzicamento****ATTENZIONE!****Pericolo di lesioni**

I punti di pizzicamento sono presenti in diversi punti del sollevatore e parti del corpo potrebbe essere schiacciate.

- Tenere sempre le mani, le dita e i piedi lontano dalle parti in movimento.

**2.2 Informazioni di sicurezza sugli accessori****AVVERTENZA!****Pericolo di lesioni**

Accessori non originali o non corretti possono alterare il funzionamento e la sicurezza di questo prodotto.

- In considerazione delle differenze regionali, fare riferimento al sito web o al catalogo locale di Invacare per gli accessori disponibili o contattare il proprio fornitore Invacare.
- Consultare il manuale fornito con gli accessori per ulteriori informazioni e istruzioni.
- Utilizzare esclusivamente accessori originali del prodotto in uso. In alcuni casi è possibile utilizzare imbracature di altri produttori. Fare riferimento alle informazioni aggiuntive della presente sezione.
- Far svolgere da un professionista una valutazione dei rischi prima di dare in dotazione le attrezzature di sollevamento. È importante che la valutazione dei rischi tenga conto dell'attività, dell'individuo, del carico, dell'ambiente e dell'attrezzatura.
- Quando si prende in considerazione il tipo di trasferimento da effettuare, occorre sempre scegliere un'imbracatura la cui concezione e

le cui dimensioni siano adeguate al peso, alla corporatura e alla capacità fisica del paziente.

**AVVERTENZA!****Compatibilità delle imbracature con il sistema di attacco**

Invacare utilizza un sistema di attacco comune basato su ganci e anelli. Gli anelli delle imbracature sono fissati ai ganci del sollevatore. Pertanto, con questo sollevatore possono essere utilizzate anche imbracature idonee di altri produttori.

- Usare solo imbracature destinate per sollevatori Stand Assist.
- Usare solo imbracature con attacchi ad anello adatti per ganci come punti di attacco.
- Non utilizzare imbracature progettate per "sistemi di attacco ad asola o a fermo" o "sistemi a telaio basculante".

**2.3 Informazioni sulla sicurezza relative alle interferenze elettromagnetiche****ATTENZIONE!****Rischio di malfunzionamento dovuto a interferenze elettromagnetiche**

Possono verificarsi interferenze elettromagnetiche tra questo prodotto e altre apparecchiature elettriche, che possono disturbare le funzioni di regolazione elettrica di questo prodotto. Per prevenire, ridurre o eliminare tali interferenze elettromagnetiche:

- Utilizzare esclusivamente cavi, accessori e pezzi di ricambio originali, non aumentare le emissioni elettromagnetiche né ridurre l'immunità elettromagnetica di questo prodotto.
- Non utilizzare apparecchiature di comunicazione in radiofrequenza (RF) portatili a una distanza inferiore a 30 cm da qualsiasi parte di questo prodotto (compresi i cavi).
- Non utilizzare questo prodotto nelle vicinanze di apparecchiature chirurgiche ad alta frequenza in funzione e della stanza schermata da RF di un sistema per la risonanza magnetica in cui l'intensità dei disturbi elettromagnetici sia elevata.
- In presenza di disturbi, aumentare la distanza tra questo prodotto e le altre apparecchiature oppure disinserire queste ultime.
- Fare riferimento alle informazioni dettagliate e seguire le linee guida riportate nel capitolo 12 *Compatibilità elettromagnetica (EMC)*, pagina 159

**ATTENZIONE!****Rischio di malfunzionamento**

Le interferenze elettromagnetiche possono causare malfunzionamenti.

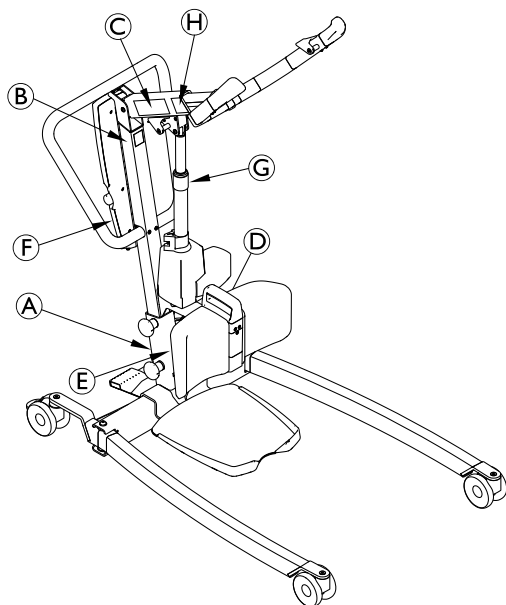
- Non utilizzare il presente prodotto nelle vicinanze di o sovrapposto ad altre apparecchiature elettriche. Se un tale utilizzo fosse necessario, controllare attentamente che il prodotto e le altre apparecchiature funzionino normalmente.

## 2.3.1 Modalità di ricarica della batteria

**!** **IMPORTANTE!**  
Durante la ricarica della batteria la centralina è più sensibile ad eventuali danni da scariche elettrostatiche (ESD). L'insorgere di ESD durante la modalità di ricarica della batteria può causare malfunzionamento della centralina o perdita di funzione.  
– Evitare tutte le possibili fonti di ESD durante la ricarica della batteria.

## 2.4 Etichette e simboli sul prodotto

### 2.4.1 Posizione delle etichette



A	Etichetta modello
B	Etichetta Leggere il manuale d'uso
C	Nome e carico del sollevatore per un utilizzo in sicurezza (a seconda del modello)
D	Etichetta di condizioni ambientali e peso massimo totale
E	Carico del sollevatore per un utilizzo in sicurezza (a seconda del modello)
F	Etichetta di decadenza della garanzia (non presente su tutti i modelli)
G	Etichetta di avvertenza
H	Etichetta di regolazione del braccio di sollevamento

### 2.4.2 Etichetta modello



L'etichetta modello contiene le informazioni principali sul prodotto, compresi i dati tecnici.

### Simboli

	Numero di serie
	Codice di riferimento
	Indirizzo del produttore
	Data di fabbricazione
	Carico massimo per un utilizzo in sicurezza
	Apparecchiatura di CLASSE II
	Parte applicata di tipo B
	Conforme alle direttive RAEE
	Conformità europea



Abbreviazioni per i dati tecnici:

- lin = Corrente di ingresso
- Uin = Tensione assorbita
- Int. = Intermittenza
- AC = Corrente alternata
- Max = massimo
- min = minuto

Per ulteriori informazioni sui dati tecnici, fare riferimento a **11 Dati Tecnici, pagina 156**

### 2.4.3 Altri simboli

	Consultare il manuale d'uso
	Peso totale del prodotto sotto il carico massimo per un utilizzo in sicurezza
	Non utilizzare l'attuatore come barra di spinta
	Non rimuovere Decadenza della garanzia in caso di rimozione o rottura
	Limite di temperatura
	Limite di umidità
	Limite di pressione atmosferica
	Condizioni di trasporto e stoccaggio

	Condizioni di funzionamento
	Regolazione del braccio di sollevamento in base all'altezza del paziente

## 3 Panoramica del prodotto

### 3.1 Uso previsto

Il sollevatore Stand Assist è un dispositivo di trasferimento alimentato a batteria ed è destinato a trasferire e posizionare un paziente da una superficie di seduta a un'altra. Ad esempio:

- Da letto a carrozzina e viceversa
- Da e verso la toilette
- Per la riabilitazione, nell'assistere il paziente da seduto a in piedi

Il carico massimo per un utilizzo in sicurezza è indicato in **11 Dati Tecnici**, pagina 156

Il sollevatore Stand Assist è progettato per essere usato all'interno su una superficie piana in ospedali, strutture di assistenza e ambienti domestici. Il sollevatore Stand Assist può essere fatto ruotare sul posto per i trasferimenti in spazi limitati.

Il presente prodotto è destinato a essere usato da un operatore sanitario o da un privato che abbia ricevuto adeguata formazione.

### Indicazioni

Il sollevatore Stand Assist serve a trasferire e posizionare i pazienti parzialmente immobili.

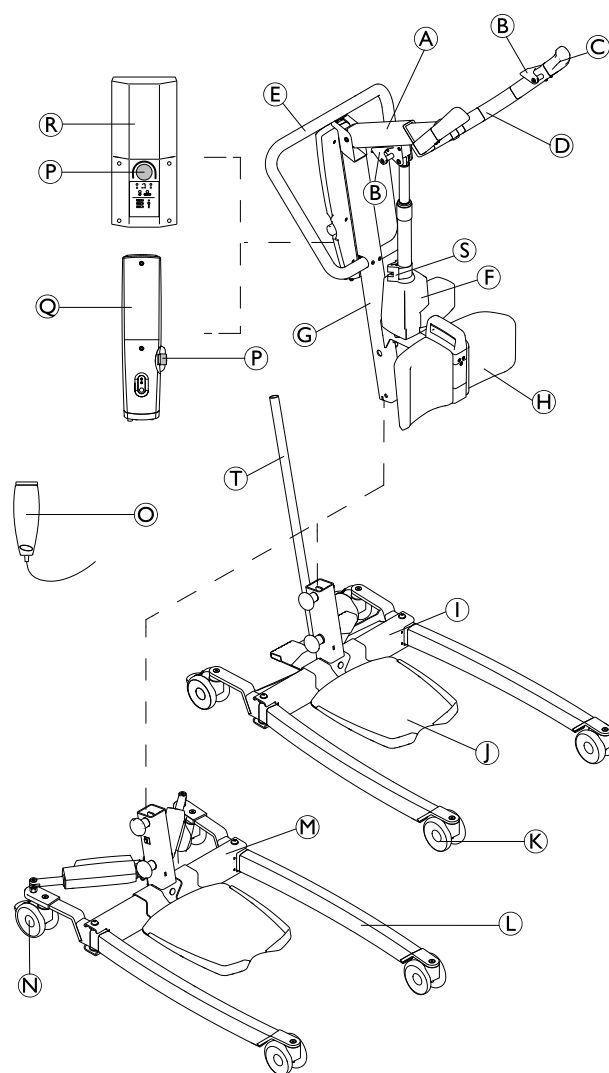
### Controindicazioni

Il sollevatore Stand Assist è controindicato per i pazienti che:

- non sono collaborativi
- non sono in grado di comprendere e seguire le istruzioni
- non hanno il controllo della testa e del collo
- non hanno stabilità ragionevole del tronco

Alcune imbracature progettate per il sollevatore Stand Assist sono controindicate per i pazienti che non riescono a sostenere la maggior parte del proprio peso. Per ulteriori informazioni, fare riferimento al manuale d'uso dell'imbracatura.

### 3.2 Componenti principali del sollevatore



(A)	Braccio
(B)	Gancio per imbracatura
(C)	Impugnatura
(D)	Braccio di sollevamento
(E)	Barra di spinta
(F)	Attuatore di sollevamento
(G)	Albero
(H)	Supporto per le gambe (fisso o girevole)
(I)	Base con pedale per il meccanismo di apertura della base manuale
(J)	Pedana (alta, bassa o inclinata)
(K)	Ruote anteriori orientabili
(L)	Gamba
(M)	Base con attuatori per meccanismo di apertura della base elettrico – con o senza coperture degli attuatori
(N)	Ruote posteriori orientabili con freno
(O)	Pulsantiera
(P)	Arresto di emergenza
(Q)	Centralina CBJ Home con batteria integrata

®	Centralina CBJ Care, CBJ1 o CBJ2 con batteria rimovibile
Ⓢ	Abbassamento di emergenza meccanico
Ⓣ	Leva per il meccanismo di apertura della base manuale

### 3.3 Accessori



In considerazione delle differenze regionali, fare riferimento al sito web o al catalogo locale di Invacare per dettagli sugli accessori disponibili o contattare il proprio fornitore Invacare.

- Leva per il meccanismo di apertura della base manuale

- Coperture protettive per le gambe
- Banda per gambe
- Caricabatterie a parete per batteria rimovibile
- Batteria supplementare
- Pedana supplementare (alta, bassa o inclinata)

Modelli di imbracatura con attacchi ad anello, adatti per ganci come punti di attacco:

- Invacare® imbracatura Stand Assist (Europa) / Invacare® imbracatura Standup (Asia-Pacifico): Attacco a 2 punti con il solo supporto per la schiena.
- Imbracatura di Transfer Stand Assist Invacare®: Attacco a 4 punti con il solo supporto per la schiena e per le gambe.



## 4 Messa in servizio

### 4.1 Informazioni generali sulla sicurezza



#### ATTENZIONE!

- Prima dell'utilizzo, controllare tutte le parti per individuare eventuali danni dovuti al trasporto.
- In caso di danni, non utilizzare l'apparecchiatura. Contattare il proprio fornitore Invacare per ulteriori istruzioni.



#### ATTENZIONE!

##### Pericolo di lesioni

- Un montaggio non corretto può causare lesioni o danni.
- Utilizzare solo pezzi di Invacare per il montaggio di questo sollevatore.
  - Dopo ogni montaggio, controllare che tutti i raccordi siano ben serrati e che tutte le parti funzionino correttamente.
  - Non stringere eccessivamente le viti. Ciò potrebbe danneggiare le staffe di montaggio.

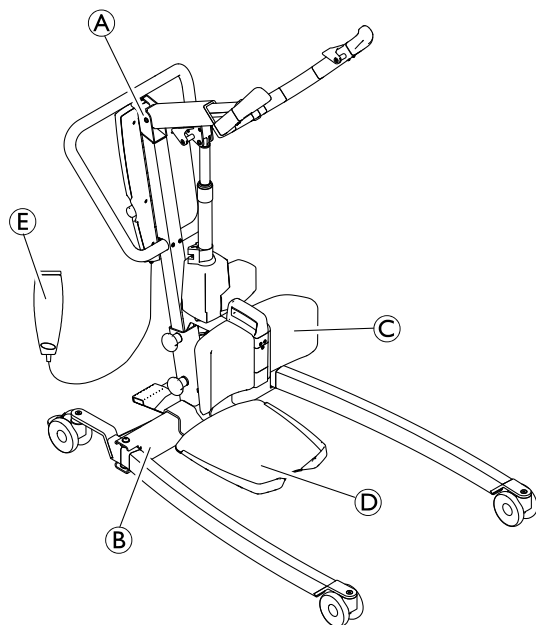


Per montare il sollevatore non sono richiesti utensili.

In caso di problemi o domande durante il montaggio, contattare il proprio fornitore Invacare.

### 4.2 Contenuto della fornitura

Gli articoli inclusi nell'imballo dipendono dai modelli e dalle configurazioni disponibili nel proprio paese. Consultare la sezione 1.1 *Introduzione*, pagina 130



Ⓐ	Gruppo albero / braccio (1 pezzo) — con centralina e attuatore
Ⓑ	Base con o senza attuatori (1 pezzo)
Ⓒ	Supporto per gambe
Ⓓ	Pedana
Ⓔ	Pulsantiera (1 pezzo)
	Cavo di alimentazione (1 pezzo)

	Manuale d'uso (1 pezzo)
	Batteria (1 pezzo o 2 pezzi)* – solo CBJ Care, CBJ1 e CBJ2
	Leva per il meccanismo di apertura della base manuale (1 pezzo)*
	Fascia per le gambe (1 pezzo) *
	Imbracatura (1 pezzo)*

\* A seconda del modello e/o della configurazione



Se il sollevatore viene fornito completo di imbracatura, fare riferimento al manuale d'uso di quest'ultima per le istruzioni sul relativo uso, applicazione, manutenzione e lavaggio.

### 4.3 Montaggio dell'albero sulla base



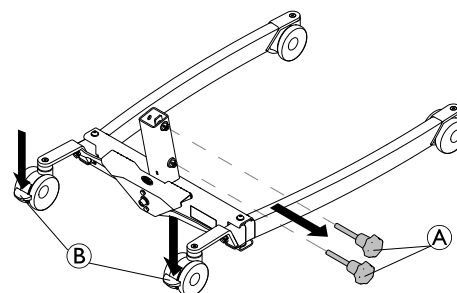
#### ATTENZIONE!

##### Pericolo di lesioni o danni

Il carico massimo indicato sul braccio e sulla base per un utilizzo in sicurezza deve essere lo stesso.

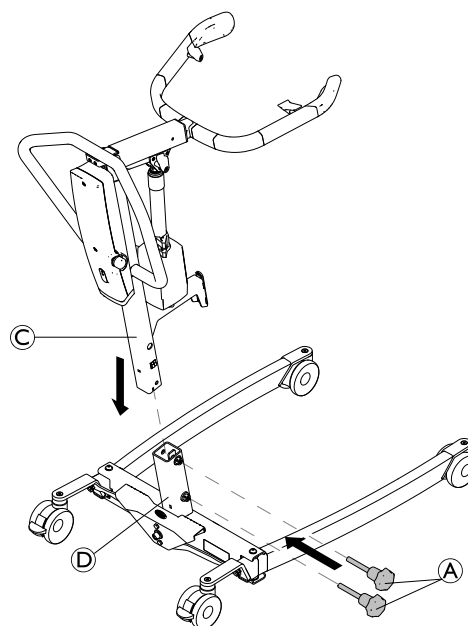
- Confrontare sempre i valori del carico massimo per un utilizzo in sicurezza indicati sulla base e sul braccio.

1.



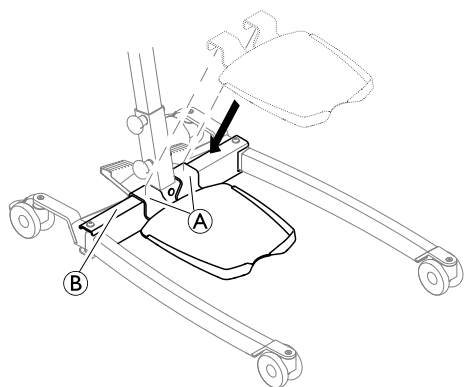
Bloccare entrambe le ruote posteriori orientabili Ⓑ e ruotare le viti a manopola in senso antiorario Ⓐ per rimuoverle dalla base

2.



Con il braccio rivolto in avanti, abbassare l'albero Ⓒ nel supporto della base Ⓓ e reinserire le viti a manopola Ⓐ per fissare l'albero Ⓒ alla base.

## 4.4 Installazione della pedana



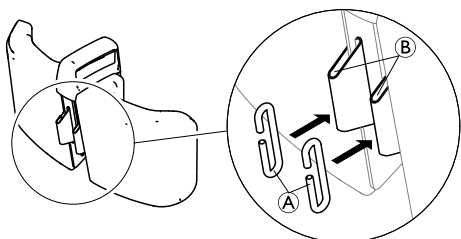
1. Abbassare la pedana sulla base fino a quando le staffe (A) sono completamente inserite nel tubo (B).

## 4.5 Montaggio della fascia per le gambe (opzionale)

(opzionale)

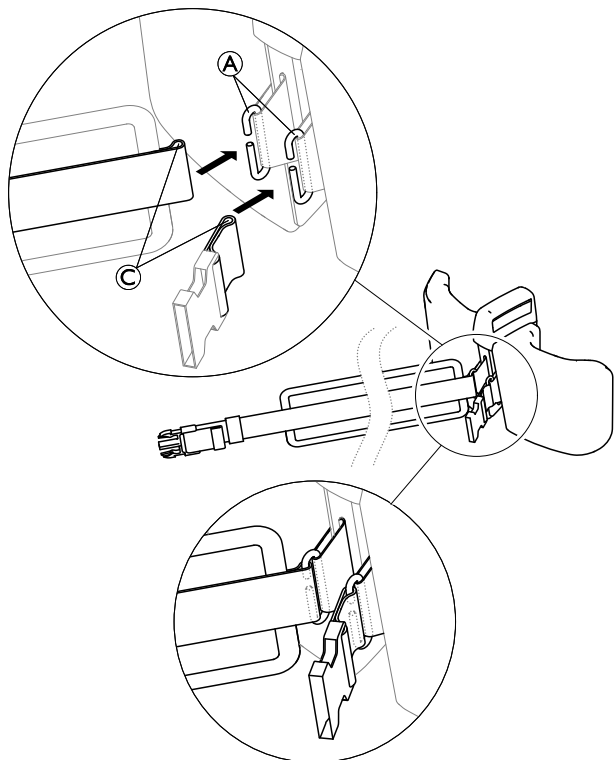
Le due parti della fascia per le gambe sono fissate sul lato posteriore del supporto gambe.

1.



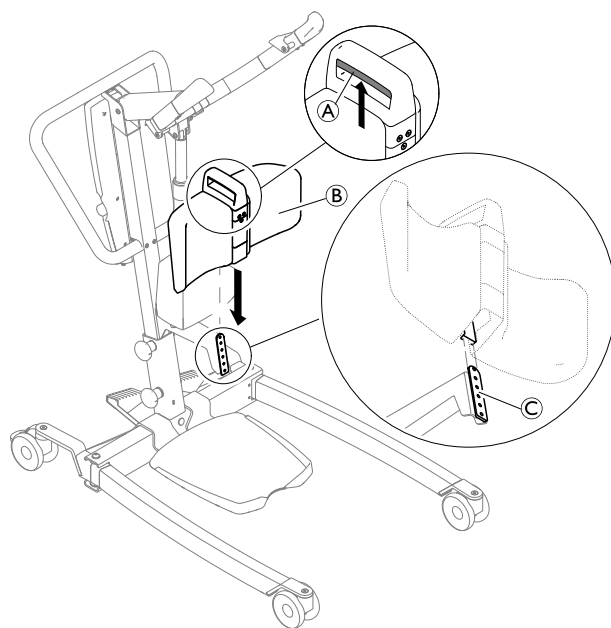
Far passare i due ganci (A) nelle alette (B) sul lato posteriore del supporto per le gambe.

2.




Far passare gli anelli (C) delle due parti della fascia per le gambe nei ganci (A).

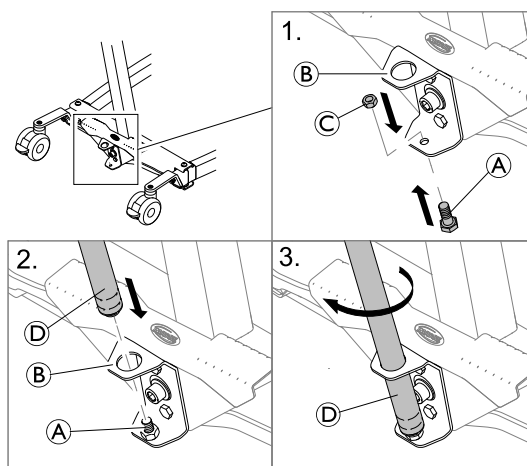
## 4.6 Montaggio del supporto per le gambe



1. Premere e tenere premuta la leva di rilascio (A) sul supporto per le gambe (B) verso l'alto.
2. Far scorrere la barra di guida sul retro del supporto delle gambe (B) sulla piastra di fissaggio (C) sull'albero.
3. Una volta raggiunta l'altezza desiderata, rilasciare la leva (A) e spostare leggermente il supporto per le gambe (B) verso l'alto o verso il basso fino a quando si sente un "clic" e il supporto per le gambe (B) è bloccato in una delle 6 posizioni disponibili.

## 4.7 Montaggio della leva per il meccanismo di apertura della base manuale

 Chiave da 2 x 13 mm



1. Inserire il bullone (A) dal basso nel foro inferiore della staffa (B) e fissarlo con il dado (C).
2. Inserire l'estremità filettata della leva (D) nel foro superiore della staffa (B) nel bullone fisso (A).
3. Ruotare la leva (D) in senso orario per avvitare la nel bullone.

## 4.8 Ripristino dell'indicatore di manutenzione

(solo centralina CBJ Care)

- !** **IMPORTANTE!**  
Se la spia di manutenzione è gialla lampeggiante durante l'utilizzo quotidiano o dopo un rimontaggio, il sollevatore necessita di manutenzione.  
– Per la manutenzione, rivolgersi al proprio fornitore Invacare.

Dopo il montaggio iniziale del sollevatore, l'indicatore di manutenzione deve essere ripristinato prima dell'utilizzo.

Per eseguire un ripristino iniziale dell'indicatore di manutenzione:

1. Individuare la pulsantiera.
2. Premere e tenere premuti il pulsante di SOLLEVAMENTO e il pulsante di ABBASSAMENTO contemporaneamente per cinque secondi.
3. Quando l'indicatore di manutenzione è stato ripristinato, viene emesso un segnale acustico.

## 5 Uso

### 5.1 Informazioni generali sulla sicurezza



#### ATTENZIONE!

##### Pericolo di lesioni o danni

Prima di utilizzare il sollevatore con un paziente, fare riferimento alle seguenti informazioni e istruzioni di sicurezza:

- 2 Sicurezza, pagina 131
- 6 Trasferimento del paziente, pagina 146

### 5.2 Bloccaggio/sbloccaggio delle ruote posteriori orientabili

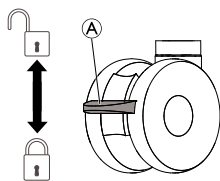


#### ATTENZIONE!

##### Pericolo di lesioni o danni

Il sollevatore può ribaltarsi e mettere in pericolo il paziente e gli assistenti.

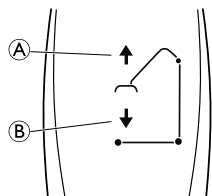
- Invacare raccomanda che le ruote posteriori orientabili siano sbloccate durante le procedure di sollevamento per consentire al sollevatore di stabilizzarsi quando il paziente viene inizialmente sollevato da una sedia, un letto o qualsiasi oggetto fisso.
- Invacare raccomanda di bloccare le ruote posteriori orientabili del sollevatore solo durante il posizionamento o la rimozione dell'imbracatura intorno al paziente.



- Per bloccare la ruota orientabile, spingere verso il basso il pedale **A** con il piede.
- Per sbloccare la ruota orientabile, spingere verso l'alto il pedale **A** con il piede.

### 5.3 Sollevamento/abbassamento di un sollevatore elettrico

La pulsantiera viene utilizzata per sollevare o abbassare il sollevatore.



1. Per sollevare il sollevatore — Tenere premuto il pulsante di SOLLEVAMENTO **A** per sollevare il braccio e il paziente.
2. Per abbassare il sollevatore — Tenere premuto il pulsante di ABBASSAMENTO **B** per abbassare il braccio e il paziente.



Rilasciare il pulsante per interrompere il sollevamento o l'abbassamento del sollevatore.

### 5.4 Chiusura/apertura delle gambe



#### ATTENZIONE!

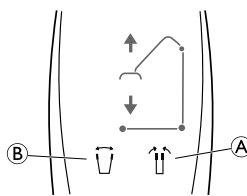
##### Pericolo di lesioni

Il sollevatore potrebbe ribaltarsi e mettere in pericolo il paziente e gli assistenti.

- Le gambe del sollevatore devono essere nella posizione di massima apertura per garantire la massima stabilità e sicurezza. Nel caso in cui sia necessario chiudere le gambe del sollevatore per posizionarlo sotto un letto, chiudere le gambe del sollevatore solo per il tempo necessario a posizionarlo sopra il paziente e sollevare il paziente dalla superficie del letto. Quando le gambe del sollevatore non si trovano più sotto il letto, riportarle alla posizione di massima apertura.

#### 5.4.1 Chiusura/apertura elettrica delle gambe

La pulsantiera viene utilizzata per aprire o chiudere le gambe della base.

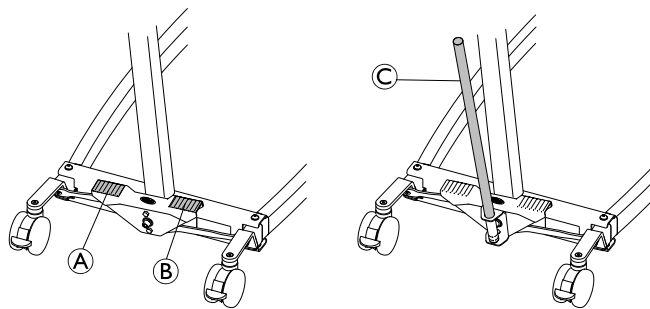


1. Per chiudere le gambe, tenere premuto il pulsante "gambe chiuse" **A**.
2. Per aprire le gambe, tenere premuto il pulsante "gambe aperte" **B**.



Le gambe smettono di muoversi quando viene rilasciato il pulsante.

#### 5.4.2 Chiusura/apertura manuale delle gambe



Il meccanismo di apertura della base manuale viene azionato mediante due pedali (A e B) o la leva C.

1. Per aprire le gambe, premere il pedale destro **B** con un piede.
2. Per chiudere le gambe, premere il pedale sinistro **A** con un piede.

Tramite la leva:

1. Per aprire le gambe, tirare la leva **C** verso destra.
2. Per chiudere le gambe, spingere la leva **A** verso sinistra.

## 5.5 Regolazione del braccio di sollevamento all'altezza del corpo del paziente



### AVVERTENZA!

#### Pericolo di lesioni o danni

Una posizione non corretta del braccio può far scivolare il braccio di sollevamento da un lato o dall'altro quando viene rilasciato.

– Regolare sempre il braccio di sollevamento quando privo di carico tenendo il braccio in posizione orizzontale.

Il principale criterio per la regolazione è l'altezza del corpo del paziente, ma l'impostazione corretta dipende anche da altri fattori come la lunghezza degli anelli dell'imbracatura, le condizioni e le preferenze del paziente.

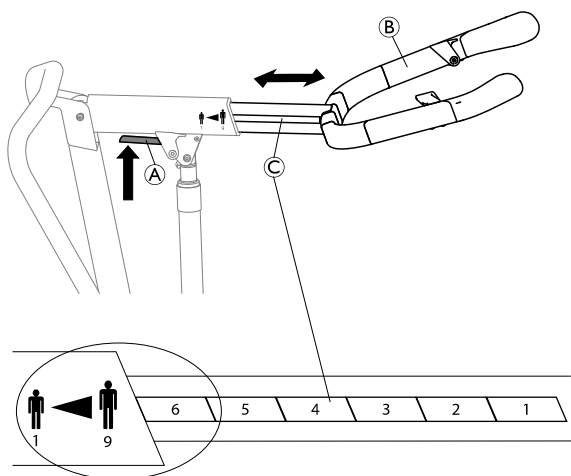
Le seguenti linee guida si basano su valori medi e differenze che si potrebbero verificare e talvolta si verificano:

- Posizione 1 (completamente accorciato): altezza del paziente da circa 140 cm di altezza in su.
- Posizione 5: altezza del paziente da circa 170 cm di altezza in su.
- Posizione 9 (completamente esteso): altezza del paziente fino a 200 cm.



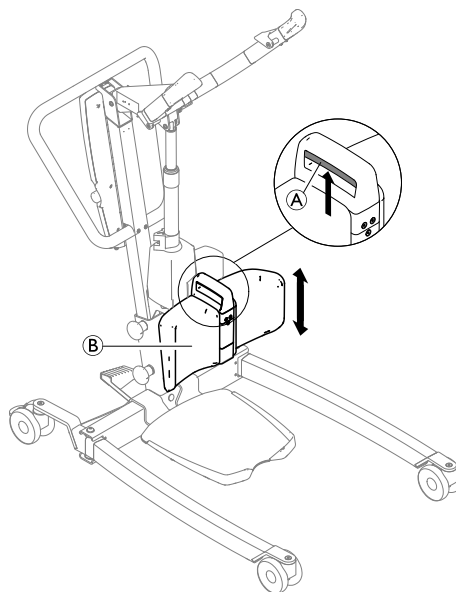
### IMPORTANTE

Si raccomanda vivamente un montaggio di prova individuale al fine di determinare un valore corretto e sicuro per ciascun paziente.



1. Premere e tenere premuta la leva rossa **A** sul braccio verso l'alto.
2. Regolare la lunghezza del braccio di sollevamento **B** in una delle nove posizioni disponibili indicate sulla scala **C**, mettendo il campo desiderato davanti al bordo del braccio.
3. Rilasciare la leva **A** e spostare leggermente il braccio di sollevamento **B** avanti e indietro fino a quando si sente un "clic" e la leva è bloccata in posizione.

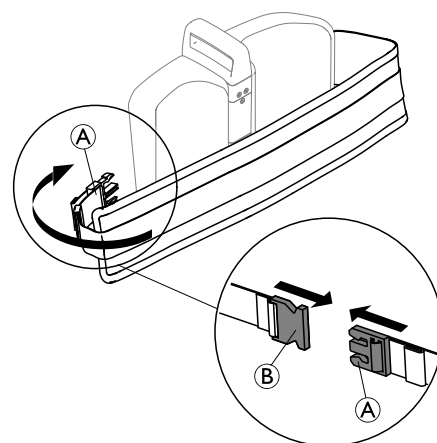
## 5.6 Regolazione dell'altezza del supporto per le gambe



1. Premere e tenere premuta la leva di rilascio **A** sul supporto per le gambe **B** verso l'alto.
2. Far scorrere il supporto per le gambe **B** verso l'alto o verso il basso.
3. Una volta raggiunta l'altezza desiderata, rilasciare la leva **A** e spostare leggermente il supporto per le gambe **B** verso l'alto o verso il basso fino a quando si sente un "clic" e il supporto per le gambe **B** è bloccato in una delle 6 posizioni disponibili.

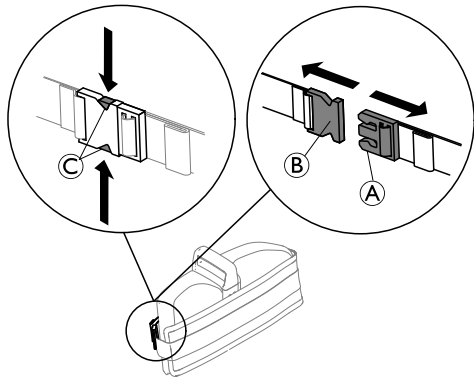
## 5.7 Utilizzo della fascia per le gambe

- 1.



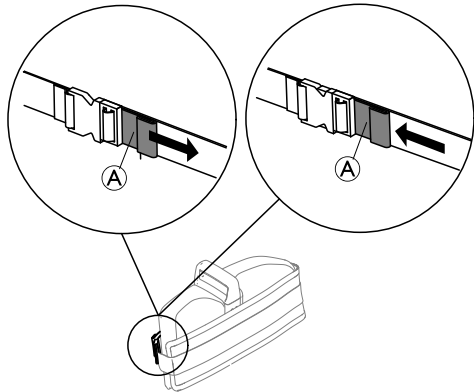
Per applicare la fascia per le gambe, avvolgere la parte imbottita più lunga intorno al supporto per la parte inferiore del paziente e spingere il fermo **A** nel fermaglio della fibbia **B** sul lato posteriore del supporto per le gambe.

- 2.




Per aprire, premere il meccanismo di rilascio © ed estrarre il fermo ① dal fermaglio della fibbia ②.

3.

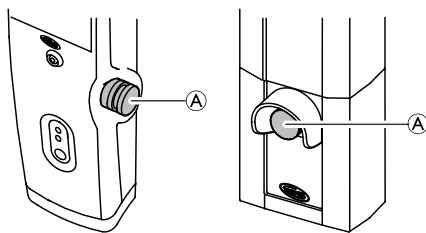


Per regolare la lunghezza della fascia per le gambe, tirare la linguetta ① per accorciare o spingere la linguetta ① verso la fibbia per allungare.

 In assenza di pazienti sul sollevatore, avvolgere la fascia per le gambe attorno al supporto per le gambe, chiuderla e stringere per serrarla.

## 5.8 Funzioni di emergenza

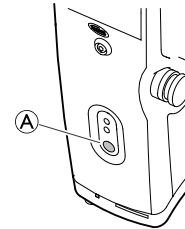
### 5.8.1 Esecuzione di un arresto di emergenza



1. Premere il pulsante di emergenza rosso ① sulla centralina per interrompere il sollevamento o l'abbassamento del braccio e del paziente.
2. Per ripristinare, ruotare il pulsante di emergenza in senso orario.

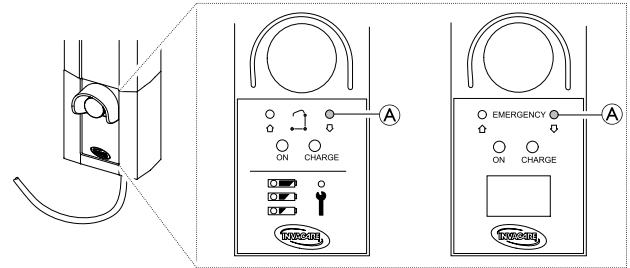
### 5.8.2 Attivazione di abbassamento di emergenza (centralina CBJ Home)

Se la pulsantiera non funziona, il braccio può essere abbassato azionando l'interruttore rotondo per il rilascio di emergenza.



1. Abbassare il braccio tenendo premuto il pulsante ① sulla parte anteriore della centralina.
2. Interrompere l'abbassamento del braccio rilasciando il pulsante.

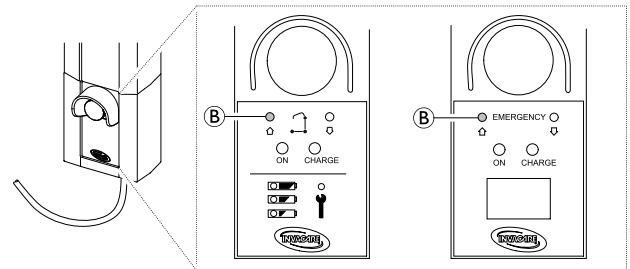
### 5.8.3 Attivazione di abbassamento di emergenza (centralina CBJ Care, CBJ1, CBJ2)



Se la pulsantiera non funziona, il braccio può essere abbassato azionando l'interruttore rotondo per il rilascio di emergenza. Utilizzare un oggetto appuntito, come una matita, per premere il pulsante.

1. Abbassare il braccio tenendo premuto il pulsante ① sulla parte anteriore della centralina.
2. Interrompere l'abbassamento del braccio rilasciando il pulsante.

### 5.8.4 Attivazione di sollevamento di emergenza (centralina CBJ1)



Se la pulsantiera non funziona, il braccio può essere sollevato azionando l'interruttore rotondo per il sollevamento di emergenza. Utilizzare un oggetto appuntito, come una matita, per premere il pulsante.

1. Sollevare il braccio tenendo premuto il pulsante ② sulla parte anteriore della centralina.
2. Interrompere il sollevamento del braccio rilasciando il pulsante.

### 5.8.5 Attivazione di un abbassamento di emergenza meccanico

Se l'abbassamento di emergenza sulla centralina non funziona, è disponibile un abbassamento di emergenza meccanico tampone. Questo può accadere in caso di

interruzione totale o parziale della corrente elettrica o se la batteria si scarica durante l'utilizzo.



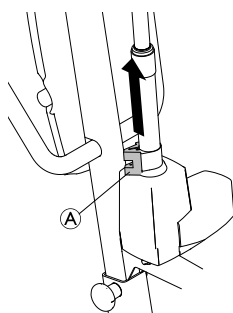
### ATTENZIONE!

#### Pericolo di lesioni o danni

L'abbassamento di emergenza ripetuto comporta un aumento elevato della velocità di abbassamento.

- Utilizzare l'abbassamento di emergenza meccanico tampone solo quando l'abbassamento di emergenza sulla centralina non funziona.
- Non utilizzare ripetutamente l'abbassamento di emergenza meccanico in successione ravvicinata.
- Abbassare sempre il paziente su una superficie di appoggio come un letto o una sedia.
- Qualora sia stato necessario un abbassamento di emergenza meccanico, occorre controllare il sollevatore per risolvere il malfunzionamento della centralina.

1. Individuare l'impugnatura di emergenza rossa (A) alla base del pistone dell'attuatore.
2. Tirare lentamente verso l'alto l'impugnatura di emergenza rossa (A) e tenerla in posizione non appena viene raggiunta una velocità di abbassamento sicura.
3. Se non avviene alcun abbassamento con un'impugnatura di emergenza (A) completamente tirata, tirare contemporaneamente il braccio verso il basso.



La velocità di abbassamento effettiva dipende dal peso del paziente. Se la velocità è troppo elevata o troppo ridotta, è possibile adattarla al peso del paziente.

Regolazione della velocità di abbassamento:

1. Individuare la vite nel foro alla base dell'impugnatura di emergenza rossa (A).
2. Ruotare la vite in senso antiorario per aumentare la velocità.
3. Ruotare la vite in senso orario per diminuire la velocità.

## 5.9 Ricarica della batteria



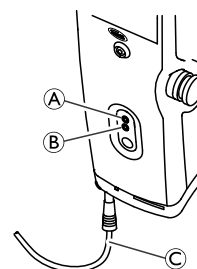
### IMPORTANTE!

- Assicurarsi che il dispositivo di arresto di emergenza non sia attivato durante la ricarica della batteria.
- Assicurarsi che la ricarica della batteria sia effettuata in un locale ben ventilato.
- Le funzioni elettriche sono disattivate quando il sollevatore è collegato alla rete di alimentazione elettrica.
- Non tentare di utilizzare il sollevatore se l'involucro della batteria è danneggiato.
- Sostituire un involucro della batteria danneggiato prima di utilizzare nuovamente il sollevatore.
- Non spostare il sollevatore senza averlo prima scollegato dalla presa di corrente.

Si consiglia di caricare la batteria quotidianamente per garantire l'utilizzo ottimale del sollevatore e per prolungare la vita della batteria. Inoltre, si raccomanda di caricare la batteria prima di utilizzare il sollevatore per la prima volta.

### 5.9.1 Centralina CBJ Home

La centralina è dotata di avvisatore acustico. Un suono indica che la carica della batteria è bassa, ma è ancora possibile abbassare il paziente. Si consiglia di ricaricare le batterie non appena viene emesso il segnale acustico.



1. Collegare il cavo di alimentazione (C) a una presa di corrente.



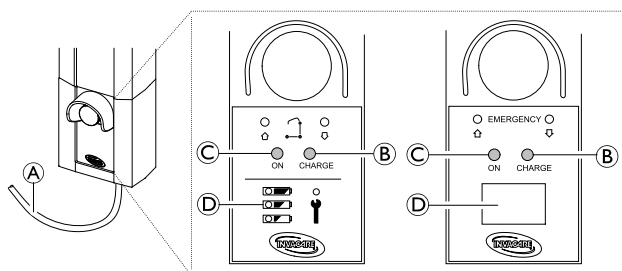
La carica della batteria sarà completata in circa 4 ore. Quando le batterie sono completamente cariche, il caricabatteria si arresta automaticamente.

Il LED superiore giallo (A) lampeggia durante la ricarica e passa ad essere illuminato in modo costante quando la batteria è completamente carica.

Il LED inferiore verde (B) si illumina in modo costante quando la centralina è collegata alla rete elettrica e si accende quando viene premuto un qualsiasi pulsante sulla pulsantiera o quando è attivata la funzione di abbassamento elettrico di emergenza.

2. Una volta completata la carica della batteria, scollegare il cavo di alimentazione dalla presa di corrente.

### 5.9.2 Centralina CBJ Care, CBJ1, CBJ2



La centralina è dotata di avvisatore acustico. Un suono indica che la carica della batteria è bassa, ma è ancora possibile abbassare il paziente. Si consiglia di ricaricare le batterie non appena viene emesso il segnale acustico.

1. Collegare il cavo di alimentazione **A** a una presa di corrente.

**i** La carica della batteria sarà completata in circa 4 ore. Quando le batterie sono completamente cariche, il caricabatteria si arresta automaticamente.

Il LED destro giallo **B** si illumina in modo costante durante la ricarica e si spegne quando la batteria è completamente carica.

Il LED sinistro verde **C** si illumina in modo costante quando la centralina è collegata alla rete elettrica.

2. Una volta completata la carica della batteria, scollegare il cavo di alimentazione **A** dalla presa di corrente.

#### Spia della batteria

La centralina può essere dotata di una spia della batteria **D**, che indica la capacità residua della batteria.

#### CBJ Care

Tipo di indicatore della batteria	Stato di carica della batteria	Descrizione
	Completamente carica	La batteria è OK, non deve essere ricaricata (100-50%). Il LED superiore è VERDE.
	Parzialmente carica	La batteria deve essere ricaricata (50-25%). Il LED centrale è GIALLO.
	Scarica	La batteria deve essere ricaricata (meno del 25%). Viene emesso un segnale acustico quando viene premuto un pulsante. Il LED inferiore è GIALLO.
	Scarica (LED lampeggiante)	La batteria deve essere ricaricata. Alcune delle funzionalità del sollevatore non sono disponibili ed è solo possibile abbassare il braccio.

#### CBJ1 e CBJ2 con LCD

Tipo di indicatore della batteria	Stato di carica della batteria	Descrizione
	Completamente carica (100%)	La batteria è OK, non deve essere ricaricata (100%).
	Parzialmente carica (75%)	La batteria è OK, non deve essere ricaricata (75%).
	Parzialmente carica (50%)	La batteria deve essere ricaricata (50%).
	Scarica (25%)	La batteria deve essere ricaricata (25%). Viene emesso un segnale acustico quando viene premuto un pulsante.
	Scarica (0%)	La batteria deve essere ricaricata. Alcune delle funzionalità del sollevatore non sono disponibili ed è solo possibile abbassare il braccio.

#### Telecomando opzionale


Per CBJ Care è disponibile un telecomando opzionale con indicatore della batteria.

Tipo di indicatore della batteria	Stato di carica della batteria	Descrizione
	Completamente carica	La batteria è OK, non deve essere ricaricata (100-50%). Il LED sulla destra è VERDE.
	Parzialmente carica	La batteria deve essere ricaricata (50-25%). Il LED centrale è GIALLO.
	Scarica	La batteria deve essere ricaricata (meno del 25%). Viene emesso un segnale acustico quando viene premuto un pulsante. Il LED sulla sinistra è GIALLO.
	Scarica (LED lampeggiante)	La batteria deve essere ricaricata. Alcune delle funzionalità del sollevatore non sono disponibili ed è solo possibile abbassare il braccio.

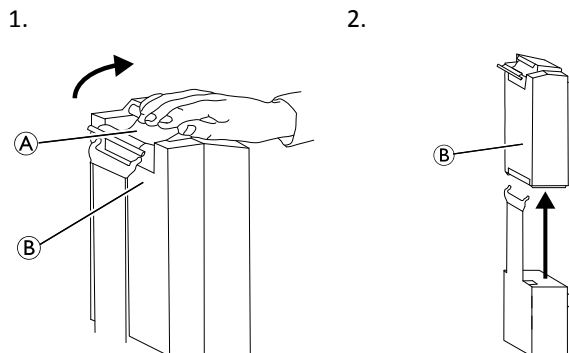


### 5.9.3 Caricabatteria opzionale

(solo per centraline con batteria rimovibile)

 La procedura di rimozione o installazione della batteria è identica per la centralina e il caricabatteria.

#### Rimozione della batteria



1. Sollevare mediante la maniglia **A** sul retro della batteria **B**.
2. Sollevare la batteria ed estrarla dalla centralina o dal caricabatteria.

#### Installazione della batteria

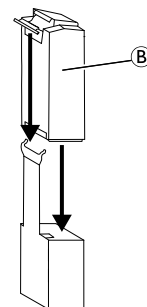


#### AVVERTENZA!

L'installazione errata della batteria può causare lesioni o danni.

– Quando si installa la batteria sulla centralina o sul caricabatteria, assicurarsi di sentire uno scatto a conferma della corretta installazione.

1. Collocare la batteria **B** sulla centralina o sul caricabatteria come mostrato in figura e assicurarsi di sentire uno scatto.



Quando la batteria viene collocata sul caricabatteria, il LED di carica si illumina. Quando la ricarica è completa, il LED di carica si spegne.

Una batteria impiega circa quattro ore per essere completamente ricaricata.

## 6 Trasferimento del paziente

### 6.1 Informazioni generali sulla sicurezza



#### ATTENZIONE!

##### Pericolo di lesioni o danni

Un uso improprio del prodotto può causare lesioni o danni.

- Prima del trasferimento a un oggetto fisso (carrozzina, letto, sedia WC o altra superficie), verificare che la capacità di peso sia in grado di sopportare il peso del paziente.
- Se presenti, i freni dell'oggetto fisso (carrozzina, letto, ecc.) devono essere azionati prima di abbassare il paziente sull'oggetto fisso o di sollevarlo da esso.
- Quando si utilizza il sollevatore in combinazione con letti o carrozzine, prestare attenzione alla posizione del sollevatore in relazione agli altri dispositivi in modo che il sollevatore non possa rimanere impigliato.
- Prima di posizionare le gambe del sollevatore sotto un letto, assicurarsi che la zona sia libera da ostruzioni.



#### ATTENZIONE!

##### Pericolo di lesioni o danni

Un uso improprio del prodotto può causare lesioni o danni.

- Utilizzare sempre le barre di spinta sull'albero per spingere o tirare il sollevatore.
- Evitare di usare il sollevatore su una superficie inclinata. Invacare raccomanda di utilizzare il prodotto esclusivamente su una superficie piana.
- Durante il trasferimento, con il paziente sospeso all'imbracatura attaccata al sollevatore, non spingere il sollevatore su superfici irregolari che potrebbero causarne il ribaltamento.
- Durante il trasferimento, con il paziente sospeso all'imbracatura, tenere le gambe in posizione di massima apertura per ottimizzare la stabilità. Se è necessario passare attraverso un passaggio stretto, chiudere le gambe solo nella misura necessaria e tornare alla posizione di massima apertura appena possibile.



#### ATTENZIONE!

##### Pericolo di lesioni o danni

Danni a parti del sollevatore (pulsantiera, ruote orientabili, ecc.) provocate da un urto contro il suolo, muri o altri oggetti fissi possono causare danni al prodotto e comportare lesioni.

- Non consentire a parti del sollevatore di urtare il suolo, muri o altri oggetti fissi.
- Conservare sempre la pulsantiera in modo corretto quando non è utilizzata.



#### ATTENZIONE!

##### Pericolo di lesioni

- I pazienti e/o gli assistenti potrebbero ferirsi
- Prestare sempre attenzione alla posizione del braccio di sollevamento e del paziente.
  - Prestare sempre attenzione alla posizione della pedana, in particolare alla posizione del paziente su di essa.
  - Prima di posizionare le gambe del sollevatore intorno al paziente, accertarsi che i piedi del paziente siano lontano dalla pedana.
  - Verificare sempre che la pedana e/o i piedi del paziente siano asciutti prima di eseguire un trasferimento.



#### ATTENZIONE!

##### Rischio di intrappolamento o soffocamento

- Il cavo della pulsantiera può provocare lesioni se non correttamente posizionato e fissato.
- Prestare sempre attenzione alla posizione della pulsantiera rispetto al paziente o agli operatori sanitari.
  - Non consentire al cavo della pulsantiera di rimanere impigliato intorno al paziente o agli operatori sanitari.
  - La pulsantiera deve essere fissata in modo corretto. Conservare SEMPRE la pulsantiera in modo corretto quando non è utilizzata.



#### ATTENZIONE!

##### Rischio di intrappolamento o soffocamento

- Elementi presenti vicino al paziente possono provocare intrappolamento o soffocamento durante il sollevamento. Per evitare l'intrappolamento o il soffocamento:
- Prima del sollevamento, controllare che il paziente sia completamente svincolato da oggetti circostanti.



#### ATTENZIONE!

##### Rischio di intrappolamento

Rischio di intrappolamento tra i ganci e l'imbracatura.

- Effettuare il sollevamento con cautela.
- Durante il sollevamento, non porre mai le mani o le dita sui ganci o vicino a essi.
- Prima del sollevamento, assicurarsi che le mani e le dita del paziente siano lontane dai ganci.



#### ATTENZIONE!


##### Pericolo di lesioni

- I pazienti e/o gli assistenti potrebbero ferirsi:
- se il supporto per il sollevamento di braccia e/o gambe non è regolato correttamente per l'altezza del paziente;
  - se la regolazione del braccio di sollevamento non è bloccata, danneggiata o presenta parti usurate.



#### IMPORTANTE!

Tutte le procedure di trasferimento descritte di seguito possono essere eseguite da un (1) assistente: Invacare consiglia tuttavia, se possibile, l'utilizzo di due (2) assistenti per l'esecuzione delle procedure.

 Sollevare il paziente esclusivamente all'altezza necessaria. Un baricentro più basso fornisce migliore stabilità, fa sentire il paziente più sicuro e rende il sollevatore più facile da spostare.

## 6.2 Attacco dell'imbracatura al sollevatore



### ATTENZIONE! Pericolo di lesioni

L'uso di imbracature non corrette o danneggiate può provocare la caduta del paziente o causare lesioni agli assistenti.

- Per il comfort e la sicurezza del paziente che deve essere sollevato, utilizzare esclusivamente un'imbracatura approvata da Invacare e consigliata dal medico, dall'infermiere o dall'assistente sanitario che seguono il paziente.
- Le imbracature e gli accessori per sollevatore sono appositamente progettati per l'uso in combinazione con i sollevatori Invacare.
- Dopo ogni lavaggio (nel rispetto delle istruzioni riportate sull'imbracatura), controllare che le imbracature non presentino segni di usura o logoramento e cuciture allentate.
- Le imbracature scolorite, logorate, tagliate, danneggiate non sono sicure e potrebbero causare delle lesioni. Gettarle via immediatamente.
- NON modificare le imbracature.



### ATTENZIONE! Pericolo di lesioni

Imbracature fissate o regolate non correttamente possono provocare la caduta del paziente o causare lesioni agli assistenti.

- Assicurarsi di controllare gli attacchi dell'imbracatura ogni volta che questa viene rimossa e sostituita, al fine di garantire che sia fissata correttamente prima di spostare il paziente da un oggetto fisso (letto, carrozzina o sedia WC).
- NON utilizzare nessun tipo di protezione posteriore in plastica per incontinenza o cuscino imbottito per sedile tra il paziente e il materiale dell'imbracatura che possono far scivolare il paziente fuori dall'imbracatura durante il trasferimento.
- Posizionare il paziente nell'imbracatura come indicato dalle istruzioni fornite con l'imbracatura.
- Le regolazioni di sicurezza e comfort per il paziente devono essere eseguite prima di spostare il paziente.

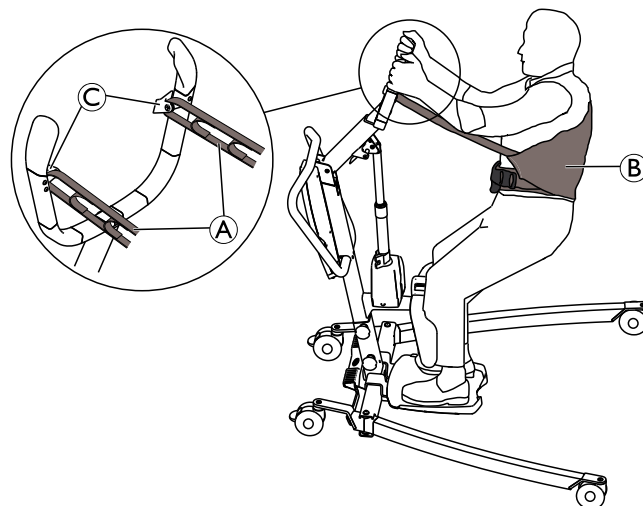
Gli anelli dell'imbracatura possono essere dotati di cinghie di lunghezza differente contrassegnate da colori, da utilizzare per far assumere diverse posizioni al paziente. Collegare le cinghie di colore corrispondente su ciascun lato dell'imbracatura per ottenere un sollevamento uniforme del paziente.

## Imbracatura Stand Assist Invacare®



### ATTENZIONE! Pericolo di lesioni

- Con un'imbracatura Stand Assist, il paziente deve essere in grado di sostenere la maggior parte del proprio peso.
- Assicurarsi che il bordo inferiore dell'imbracatura Stand Assist sia posizionato sulla parte lombare del paziente e che le braccia siano al di fuori dell'imbracatura.
- La cintura deve essere salda per evitare al paziente di scivolare fuori dall'imbracatura.



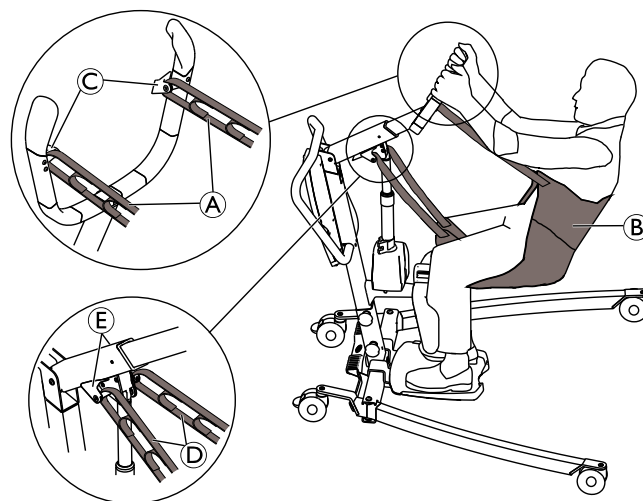
1. Posizionare gli anelli A dell'imbracatura B sui ganci C del braccio di sollevamento.

## Imbracatura di Transfer Stand Assist Invacare®



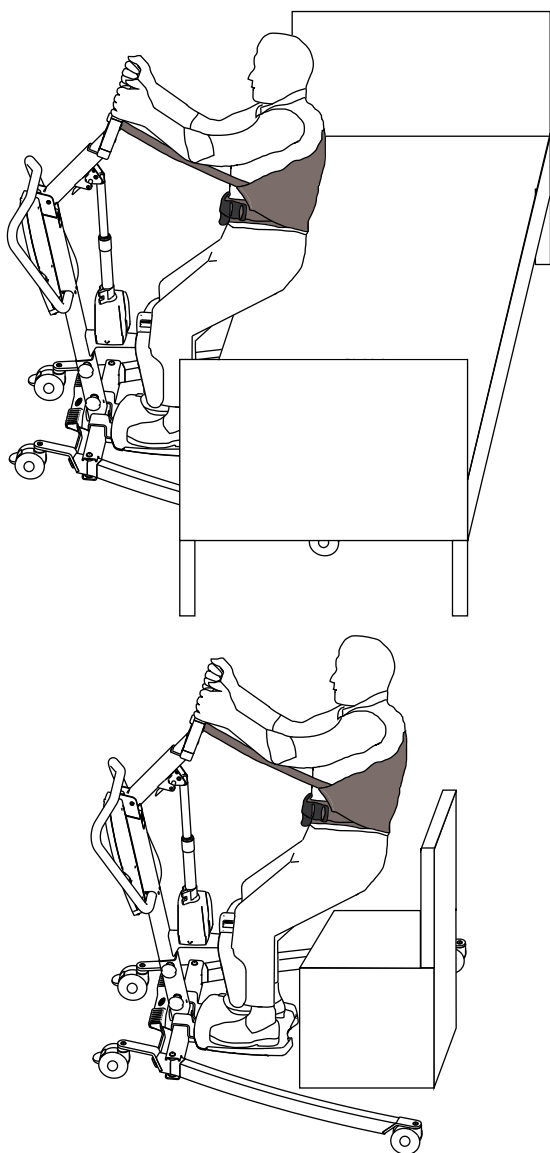
### ATTENZIONE! Pericolo di lesioni

- Assicurarsi che il bordo inferiore dell'imbracatura di Transfer Stand Assist di spostamento sia posizionato alla base della colonna vertebrale del paziente e che le braccia siano al di fuori dell'imbracatura.
- Non sollevare il paziente completamente in piedi usando l'imbracatura di Transfer Stand Assist.



1. Posizionare gli anelli superiori ① dell'imbracatura ② sui ganci ③ del braccio di sollevamento.
2. Posizionare gli anelli inferiori ④ dell'imbracatura ② sui ganci ⑤ del braccio.

### 6.3 Trasferimento di un paziente



#### Sollevamento da una superficie di seduta

1. Prima di procedere, fare riferimento alle informazioni e rispettare tutte le avvertenze indicate nelle sezioni 2 Sicurezza, pagina 131 e 6 Trasferimento del paziente, pagina 146
2. Se necessario, assicurarsi che i freni dell'oggetto fisso (ad es. letto, carrozzina ecc.) siano azionati.
3. Posizionare l'imbracatura intorno al paziente. Consultare il manuale d'uso dell'imbracatura.
4. Regolare il braccio di sollevamento per l'altezza del paziente, se necessario. Consultare la sezione 5 Uso, pagina 140
5. Sbloccare le ruote posteriori orientabili del sollevatore. Consultare la sezione 5 Uso, pagina 140
6. Aprire le gambe del sollevatore al massimo. Consultare la sezione 5 Uso, pagina 140
7. Utilizzare la barre di spinta per spostare il sollevatore in posizione.
  - Per il trasferimento di un paziente da un letto, le gambe del sollevatore devono essere posizionate sotto il letto
  - Per il trasferimento di un paziente da una carrozzina, sedia WC, sedia ecc. le gambe del sollevatore devono essere posizionate su ciascun lato dell'oggetto fisso.
8. Chiedere al paziente di posizionare i piedi sulla pedana e la parte inferiore delle gambe contro il supporto. Se necessario assistere il paziente per assicurare un corretto posizionamento dei piedi sulla pedana
9. Assicurarsi che il bordo superiore del cuscino di supporto delle gambe si trovi circa 2 dita al di sotto delle ginocchia (rotule) del paziente. Regolare l'altezza del supporto per le gambe, se necessario. Consultare la sezione 5 Uso, pagina 140
10. Se necessario, regolare e applicare la fascia per le gambe intorno alla parte inferiore delle gambe del paziente. Consultare la sezione 5 Uso, pagina 140
11. Abbassare il sollevatore per un facile attacco dell'imbracatura. Consultare la sezione 5 Uso, pagina 140
12. Bloccare le ruote posteriori orientabili del sollevatore. Consultare la sezione 5 Uso, pagina 140
13. Attaccare l'imbracatura. Consultare la sezione 6.2 Attacco dell'imbracatura al sollevatore, pagina 147
14. Sbloccare le ruote posteriori orientabili del sollevatore. Consultare la sezione 5 Uso, pagina 140
15. Chiedere al paziente di reggersi alle impugnature su entrambi i lati del braccio di sollevamento.
16. Chiedere al paziente di appoggiarsi all'imbracatura.
17. Premere il pulsante freccia SU presente sulla pulsantiera per sollevare il paziente sopra l'oggetto fisso. Consultare la sezione 5 Uso, pagina 140
18. Prima di spostare il paziente, controllare nuovamente che l'imbracatura sia collegata correttamente ai ganci del braccio di sollevamento. Se gli attacchi non sono posizionati correttamente, abbassare nuovamente il paziente sull'oggetto fisso e correggere il problema.
19. Allontanare il sollevatore dall'oggetto fisso servendosi della barra di spinta.

#### Abbassamento su una superficie di seduta

1. Prima di procedere, fare riferimento alle informazioni e rispettare tutte le avvertenze indicate nelle sezioni 2 Sicurezza, pagina 131 e 6 Trasferimento del paziente, pagina 146
2. Assicurarsi che il paziente venga sollevato a un'altezza sufficiente per liberare la superficie su cui trasferirlo. Sollevare il paziente e/o abbassare l'oggetto fisso, se presente.
3. Se necessario, assicurarsi che i freni dell'oggetto fisso (ad es. letto, carrozzina ecc.) siano azionati.
4. Posizionare il paziente il più possibile sulla superficie di seduta.
  - Per il trasferimento di un paziente a un letto, le gambe del sollevatore devono essere posizionate sotto il letto
  - Per il trasferimento di un paziente a una carrozzina, sedia WC, sedia ecc. le gambe del sollevatore devono essere posizionate su ciascun lato dell'oggetto fisso.

5. Premere il pulsante freccia GIÙ e abbassare il paziente sulla superficie di seduta. Consultare la sezione *5 Uso, pagina 140*
6. Bloccare le ruote posteriori orientabili del sollevatore. Consultare la sezione *5 Uso, pagina 140*
7. Sganciare l'imbracatura da tutti i punti di attacco del sollevatore Stand Assist.
8. Se necessario, rimuovere la fascia intorno alla parte inferiore delle gambe del paziente. Consultare la sezione *5 Uso, pagina 140*
9. Chiedere al paziente di sollevare i piedi dalla pedana. Assisterlo, se necessario.
10. Sbloccare le ruote posteriori orientabili del sollevatore. Consultare la sezione *5 Uso, pagina 140*
11. Allontanare il sollevatore dall'oggetto fisso.
12. Rimuovere l'imbracatura intorno al paziente.



Il paziente può rimanere nell'imbracatura Stand Assist Invacare® mentre utilizza la sedia WC. In questo caso l'imbracatura non deve essere posizionata nuovamente intorno al paziente prima di sollevarlo dalla sedia WC.

---

## 7 Trasporto e immagazzinamento

---

### 7.1 Informazioni generali

Durante il trasporto, o quando il sollevatore non deve essere utilizzato per qualche tempo, il pulsante di arresto di emergenza deve essere in posizione premuta.

Una volta ripiegato o smontato, il sollevatore può essere posizionato nella confezione di imballaggio per il trasporto o l'immagazzinamento.

Il sollevatore deve essere conservato a normale temperatura ambiente. Se viene conservato in un ambiente umido, freddo o bagnato, il motore e altri elementi di montaggio potrebbero essere soggetti a corrosione. Consultare la sezione *11.4 Condizioni ambientali, pagina 158*

### 7.2 Smontaggio del sollevatore

1. Rimuovere la leva del meccanismo di apertura della base, se montata.
2. Abbassare il braccio e chiudere completamente le gambe.
3. Azionare il pulsante di arresto di emergenza e applicare i freni delle ruote orientabili.
4. Regolare il braccio di sollevamento alla lunghezza minima. Consultare la sezione *5.5 Regolazione del braccio di sollevamento all'altezza del corpo del paziente, pagina 141*
5. Eseguire in ordine inverso la procedura descritta nella sezione *4.6 Montaggio del supporto per le gambe, pagina 138*
6. Eseguire in ordine inverso la procedura descritta nella sezione *4.3 Montaggio dell'albero sulla base, pagina 137*
7. Eseguire in ordine inverso la procedura descritta nella sezione *4.4 Installazione della pedana, pagina 138*

## 8 Manutenzione

### 8.1 Informazioni generali per la manutenzione


**AVVERTENZA!**
**Pericolo di lesioni o danni**

- Non eseguire interventi di manutenzione durante l'utilizzo del prodotto.

Seguire le procedure di manutenzione descritte nel presente manuale per mantenere il prodotto in servizio continuo.

Ulteriori procedure di manutenzione e controllo, che devono essere eseguite da un tecnico qualificato, sono descritte nel manuale per la manutenzione relativo a questo prodotto. I manuali per la manutenzione possono essere richiesti a Invacare.

### 8.2 Controlli quotidiani


**ATTENZIONE!**
**Pericolo di lesioni o danni**

- Le parti usurate o danneggiate possono influire sulla sicurezza del sollevatore.
- Il sollevatore deve essere controllato ogni volta che viene utilizzato.
  - Se si riscontrano danni o in caso di dubbi sulla sicurezza di qualsiasi parte del sollevatore, non utilizzarlo. Contattare immediatamente il proprio fornitore Invacare e assicurarsi che il sollevatore non venga utilizzato finché non vengano eseguite le riparazioni.

#### Lista di controllo quotidiana

- Controllare visivamente il sollevatore. Verificare che non siano presenti danni esterni o segni di usura su nessuna delle parti.
- Controllare tutti gli elementi di montaggio, i punti di fissaggio e i componenti sottoposti a sforzo, come le imbracature, i ganci e tutti i punti di articolazione per verificare l'eventuale presenza di segni di usura, rottura, sfilacciamento, deformazione o deterioramento.
- Verificare che la pulsantiera funzioni correttamente (sollevamento e movimenti delle gambe).
- Caricare la batteria ogni giorno in cui viene utilizzato il sollevatore.
- Controllare la funzione di arresto di emergenza.
- Controllare la spia di manutenzione (solo centralina CBJ Care).



La spia di manutenzione è indicata dal simbolo di una chiave sulla centralina ed eventualmente sulla pulsantiera.

- Se la spia di manutenzione è gialla lampeggiante, il sollevatore necessita di manutenzione. Non utilizzare il prodotto e contattare il proprio fornitore Invacare per assistenza.
- Se la spia di manutenzione non lampeggia, il sollevatore è pronto per l'uso.

## 8.3 Pulizia e disinfezione

### 8.3.1 Informazioni generali sulla sicurezza


**AVVERTENZA!**
**Rischio di contaminazione**

- Adottare opportune precauzioni per la propria protezione e utilizzare un'attrezzatura protettiva adeguata.


**AVVERTENZA!**
**Rischio di scosse elettriche e danni al prodotto**

- Spegnerne il dispositivo e scollegarlo dall'alimentazione, se è collegato.
- Durante la pulizia di componenti elettronici, considerare la loro classe di protezione contro l'ingresso di acqua.
- Assicurarsi che la spina e la presa di corrente a muro non siano esposte agli schizzi d'acqua.
- Non toccare la presa di corrente con le mani bagnate.


**IMPORTANTE!**

- Liquidi inappropriati o metodi errati potrebbero danneggiare il prodotto.
- Tutti i prodotti detergenti e disinfettanti utilizzati devono essere efficaci, compatibili tra loro e devono proteggere i materiali su cui vengono utilizzati durante la pulizia.
  - Non utilizzare mai liquidi corrosivi (sostanze alcaline, acidi, ecc.) o detergenti abrasivi. Si consiglia di utilizzare un normale prodotto detergente per la casa, come un detersivo liquido per i piatti, a meno che non siano state fornite indicazioni diverse nelle istruzioni di pulizia.
  - Non utilizzare mai solventi (diluente per cellulosa, acetone, ecc.) che modificano la struttura della plastica o che sciolgono le etichette applicate.
  - Prima di utilizzare il prodotto, assicurarsi sempre che sia completamente asciutto.



Per la pulizia e la disinfezione in ambienti clinici o di assistenza a lungo termine, seguire le procedure interne della struttura.

### 8.3.2 Intervalli di pulizia


**IMPORTANTE!**

- La pulizia e la disinfezione regolari consentono di assicurare il regolare e buon funzionamento, aumentare la durata e prevenire la contaminazione.
- Pulire e disinfettare regolarmente il prodotto.
- durante l'uso,
  - prima e dopo qualsiasi procedura di manutenzione,
  - in caso di contatto con liquidi biologici,
  - prima dell'uso per un nuovo utilizzatore.

### 8.3.3 Istruzioni per la pulizia



#### **IMPORTANTE!**

- Il prodotto non è adatto alla pulizia con sistemi di lavaggio automatici, sistemi di pulizia ad alta pressione o a vapore.

#### **Pulizia del sollevatore**

Metodo: pulire con un panno umido o una spazzola morbida.

Temperatura max: 40 °C

Solventi/sostanze chimiche: normale prodotto detergente per la casa e acqua.

Asciugatura: asciugare con un panno morbido.

#### **Pulizia dell'imbracatura**

Fare riferimento alle istruzioni di lavaggio dell'imbracatura e al manuale dell'imbracatura per le informazioni sulla pulizia.

### 8.3.4 Istruzioni per la disinfezione



Informazioni sui disinfettanti e i metodi consigliati sono disponibili all'indirizzo <https://vah-online.de/en/for-users>.

### **Nell'assistenza domestica**

Metodo: Seguire le note applicative per il disinfettante e la salvietta utilizzate e disinfettare tutte le superfici accessibili.

Disinfettante: normale disinfettante per la casa.

Asciugatura: Lasciare asciugare il prodotto all'aria.

### **Nell'assistenza clinica e a lungo termine**

Seguire le procedure di disinfezione interne e utilizzare solo i disinfettanti e i metodi ivi specificati.

## 8.4 Intervallo di manutenzione



#### **ATTENZIONE!**

#### **Pericolo di lesioni o danni**

La manutenzione deve essere eseguita esclusivamente da un tecnico qualificato.

- Per la manutenzione, rivolgersi al proprio fornitore Invacare.

La manutenzione deve essere eseguita almeno ogni 12 mesi salvo quanto previsto dalle norme locali.



## 9 Dopo l'utilizzo

### 9.1 Smaltimento

**ATTENZIONE!****Pericolo per l'ambiente**

Il dispositivo contiene batterie.

Il prodotto può contenere sostanze potenzialmente pericolose per l'ambiente se smaltite in luoghi (discariche) non conformi alla normativa in vigore.

- NON smaltire le batterie come normali rifiuti domestici.
- Le batterie DEVONO essere conferite in un sito di smaltimento idoneo. La loro restituzione è obbligatoria per legge e gratuita.
- Smaltire esclusivamente batterie scariche.
- Coprire i terminali delle batterie al litio prima dello smaltimento.
- Per ulteriori informazioni sul tipo di batteria, vedere l'etichetta delle batterie o consultare la sezione *11 Dati Tecnici, pagina 156*

Rispettare l'ambiente e riciclare il prodotto attraverso un centro di riciclaggio locale al termine del suo utilizzo.

Smontare il prodotto e i relativi componenti, in modo che i differenti materiali possano essere staccati e riciclati singolarmente.

Lo smaltimento e il riciclaggio dei prodotti usati e degli imballaggi devono essere eseguiti nel rispetto delle leggi e delle normative in materia di gestione dei rifiuti vigenti in ciascun paese. Per ulteriori informazioni, contattare la propria azienda di raccolta rifiuti locale.

### 9.2 Ricondizionamento

Questo prodotto è adatto per essere riutilizzato. Per il ricondizionamento del prodotto per un nuovo utilizzatore, intraprendere le azioni seguenti:

- Pulizia e disinfezione
- Ispezione secondo il piano di manutenzione


Per le informazioni dettagliate sull'ispezione, la pulizia e la disinfezione, consultare il manuale d'uso e il manuale per la manutenzione di questo prodotto.

## 10 Guida alla soluzione dei problemi

### 10.1 Identificazione dei guasti e possibili soluzioni


Segnali	Guasti	Soluzione
Il sollevatore sembra allentato	Giuntura dell'albero/della base allentata	Serrare nuovamente il collegamento dell'albero/della base Consultare la sezione 4.3 <i>Montaggio dell'albero sulla base, pagina 137</i>
	Meccanismo di apertura della base manuale allentato	Contattare il proprio fornitore Invacare
Ruote orientabili/freni rumorosi o rigidi	Lanugine o sporcizia nei cuscinetti	Pulire le ruote orientabili in modo da rimuovere lanugine e sporcizia
	Ruote orientabili/freni danneggiati	Contattare il proprio fornitore Invacare
Suono rumoroso o secco dei perni	Perni usurati o danneggiati.	Contattare il proprio fornitore Invacare
L'attuatore elettrico non riesce a sollevare o abbassare il braccio o le gambe non si aprono o non si chiudono quando viene premuto il pulsante	Connettore del telecomando o dell'attuatore allentato	Connettere il connettore del telecomando o dell'attuatore. Assicurarsi che i connettori siano inseriti correttamente e siano completamente collegati
	Batteria scarica	Caricare la batteria. Consultare la sezione 5.9 <i>Ricarica della batteria, pagina 143</i>
	Il pulsante di arresto di emergenza è premuto	Ruotare il pulsante di arresto di emergenza in senso orario finché non scatta sollevandosi
	Batteria non collegata correttamente alla centralina	Ricollegare la batteria alla centralina. Consultare la sezione 5.9.3 <i>Caricabatteria opzionale, pagina 145</i>
	I terminali di collegamento sono danneggiati	Contattare il proprio fornitore Invacare
	Cavo di alimentazione collegato alla presa di corrente	Scollegare il cavo di alimentazione dalla presa di corrente
	L'attuatore del braccio o delle gambe è danneggiato.	Contattare il proprio fornitore Invacare
	È stato superato il carico massimo ammissibile	Ridurre il carico (il sollevatore tornerà a funzionare normalmente)
Rumore inconsueto dall'attuatore	L'attuatore è danneggiato.	Contattare il proprio fornitore Invacare
Il braccio non si abbassa durante l'attivazione del rilascio di emergenza manuale	Il braccio richiede un peso minimo come carico per abbassarlo dalla posizione superiore	Tirare il braccio leggermente verso il basso
La centralina emette un segnale acustico durante il sollevamento e il motore si arresta	È stato superato il carico massimo ammissibile	Ridurre il carico (il sollevatore tornerà a funzionare normalmente)
La batteria non si carica	Il cavo di alimentazione non è collegato correttamente alla centralina e/o alla presa di corrente	Assicurarsi che i connettori siano inseriti correttamente e siano completamente collegati. Consultare la sezione 5.9 <i>Ricarica della batteria, pagina 143</i>
	Cavo di alimentazione danneggiato	Contattare il proprio fornitore Invacare
Il braccio di sollevamento non può essere regolato	La leva rossa sul braccio non può essere spinta né tenuta verso l'alto	Consultare la sezione 5.5 <i>Regolazione del braccio di sollevamento all'altezza del corpo del paziente, pagina 141</i>
	Il braccio di sollevamento è già nella posizione massima o minima	Consultare la sezione 5.5 <i>Regolazione del braccio di sollevamento all'altezza del corpo del paziente, pagina 141</i>

Segnali	Guasti	Soluzione
	Il meccanismo di regolazione è danneggiato	Contattare il proprio fornitore Invacare
	Il braccio non è in posizione corretta	Spostare il braccio in posizione orizzontale. Consultare la sezione 5.3 <i>Sollevamento/abbassamento di un sollevatore elettrico, pagina 140</i>
Il supporto per le gambe non può essere installato né regolato	La leva di rilascio non può essere spinta né tenuta verso l'alto	Consultare la sezione 4.6 <i>Montaggio del supporto per le gambe, pagina 138</i>
	Il meccanismo di regolazione è danneggiato	Contattare il proprio fornitore Invacare
	La fascia per le gambe sta bloccando la parte posteriore del supporto per le gambe	Liberare la parte posteriore del supporto per le gambe
L'albero non può essere montato sulla base	Braccio rivolto nella direzione errata	Posizionare il braccio in posizione corretta. Consultare la sezione 4.3 <i>Montaggio dell'albero sulla base, pagina 137</i>
Il sollevatore non scorre	Le ruote si bloccano	Sbloccare le ruote posteriori orientabili. 5.2 <i>Bloccaggio/sbloccaggio delle ruote posteriori orientabili, pagina 140</i>

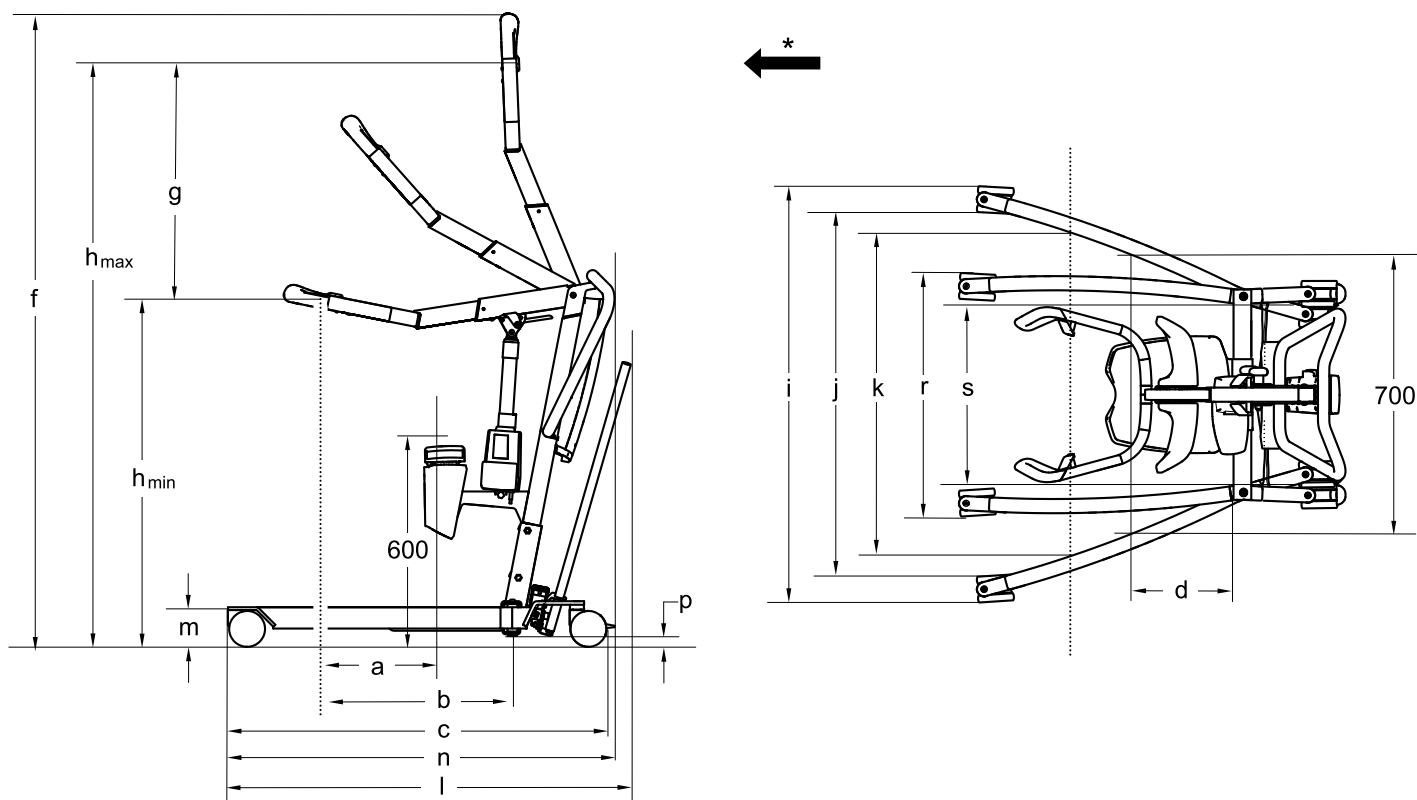
 Se quanto indicato in precedenza non risolve i problemi, contattare il proprio fornitore Invacare.

## 11 Dati Tecnici

### 11.1 Carico massimo per un utilizzo in sicurezza

	ISA™ COMPACT	ISA™ STANDARD	ISA™ PLUS	ISA™ XPLUS
Carico massimo per un utilizzo sicuro (paziente + imbracatura)	140 kg	160 kg	180 kg	200 kg

### 11.2 Dimensioni e pesi



\* Direzione di marcia

Dimensioni [mm]	ISA™ COMPACT	ISA™ STANDARD	ISA™ PLUS	ISA™ XPLUS
Diametro ruote orientabili anteriori / posteriori	75 / 75	100 / 100	100 / 100	100 / 125
Estensione massima a 600 mm (a)*	110 - 270	110 - 270	110 - 270	110 - 270
Estensione massima dalla base (b)*	340 - 500	340 - 500	340 - 500	340 - 500
Lunghezza della base (c)	900	925	1080	1220
Lunghezza totale, senza leva (n)	925	925	n/d	n/d
Lunghezza totale, con leva (l)*	980 - 1000	980 - 1000	1145	1290
Estensione dalla base con gambe aperte a 700 mm (d)	420	420	225	225
Altezza massima (f)*	1635 - 1785	1650 - 1800	1650 - 1800	1650 - 1800
Corsa di sollevamento (g)*	505 - 675	505 - 675	505 - 675	505 - 675
Altezza minima con imbracatura agganciata (h <sub>min</sub> )*	945 - 970	960 - 985	960 - 985	960 - 985
Altezza massima con imbracatura agganciata (h <sub>max</sub> )*	1475 - 1620	1490 - 1635	1490 - 1635	1490 - 1635

Dimensioni [mm]	ISA™ COMPACT		ISA™ STANDARD	ISA™ PLUS	ISA™ XPLUS
	Larghezza totale (con gambe aperte), misura esterna (i)	865	885	1110	1170
Larghezza totale (con gambe aperte), misura interna (j)	755	735	960	1020	1020
Larghezza totale (con gambe chiuse), misura esterna (r)	515	535	635	640	640
Larghezza interna minima (s)	380	380	495	495	495
Larghezza interna in corrispondenza dell'estensione massima (k)*	640 - 725	640 - 725	775 - 870	775 - 870	775 - 870
Diametro di sterzata	1060	1060	1260	1400	1430
Altezza del bordo superiore delle gambe (m)	100	115	115	115	115
Altezza minima libera da terra (p)	20	35	35	35	35

\* L'intervallo dipende dalla posizione del braccio di sollevamento, tra completamente accorciato a completamente esteso

Pesi dei componenti principali [kg]	ISA™ COMPACT		ISA™ STANDARD	ISA™ PLUS	ISA™ XPLUS
	Peso totale	43	48	49	52
Peso dell'albero incl. batteria	19			20	
Peso della sezione delle gambe manuale	15	20	21	n/d	
Peso della sezione delle gambe elettrica	n/d	20	21	23	
Supporto per gambe	5				
Pedana (alta, bassa e inclinata)	4				

### 11.3 Impianto elettrico

	ISA™ COMPACT	ISA™ STANDARD	ISA™ PLUS	ISA™ XPLUS
Tensione in uscita	24 V c.c.			
Tensione di alimentazione	100 - 240 V c.a., 50/60 Hz			
Corrente di ingresso massima	280 mA (CBJ Home) / 400 mA (CBJ2)	280 mA (CBJ Home) / 400 mA (CBJ1 e CBJ2)	280 mA (CBJ Home) / 400 mA (CBJ1, CBJ2 e CBJ Care)	400 mA (CBJ1 e CBJ care)
Classe di protezione (dispositivo completo)	IPX4*			
Classe di isolamento	Apparecchiatura di Classe II			
Parte applicata di tipo B	Parte applicata conforme ai requisiti specificati per la protezione contro le scosse elettriche in conformità alla norma IEC60601-1.			
Livello sonoro	45-50 dB(A)			
Capacità operativa	82 sollevamenti completi (con carica della batteria compresa tra 100% e 50%)			
Intermittenza (funzionamento periodico del motore)	10%, max. 2 minuti/18 minuti			
Specifiche della batteria	2 da 12 V / 2,9 Ah			
Tipo di batteria	Piombo-acido (esente da manutenzione, sigillata)			
Abbassamento di emergenza manuale	Sì (alla base dell'attuatore)			
Abbassamento / sollevamento di emergenza elettrico	Sì / No (CBJ2 e CBJ Home)	Sì / Sì (CBJ1) / Sì / No (CBJ2 e CBJ Home)	Sì / Sì (CBJ1 e CBJ Care) / Sì / No (CBJ2 e CBJ Home)	Sì / Sì (CBJ1 e CBJ Care)

\*IPx4 - Il sistema è protetto dagli schizzi d'acqua provenienti da qualsiasi direzione.

## 11.4 Condizioni ambientali

	Conservazione e trasporto	Funzionamento
Temperatura	Da -10 °C a +50 °C	Da +5 °C a +40 °C
Umidità relativa	Dal 20% al 90% a 30 °C, non condensante	
Pressione atmosferica	Da 800 hPa a 1060 hPa	



Attendere che il prodotto raggiunga la temperatura di esercizio prima di utilizzarlo:

- I tempi di riscaldamento dalla temperatura minima di stoccaggio potrebbero superare i 30 minuti.
- I tempi di raffreddamento dalla temperatura massima di stoccaggio potrebbero superare i 5 minuti.

## 11.5 Materiali

Componente	Materiale
Base, gambe, albero e braccio	Acciaio verniciato a polvere
Connettore del braccio, dadi e bulloni	Acciaio zincato
Impugnature	TPE
Ganci dell'imbracatura	TPU
Cuscino del supporto per le gambe	PU pelle

Componente	Materiale
Rivestimento della pedana	PVC, PU
Alloggiamento dell'attuatore, pulsantiera, protezione dell'albero, ruote orientabili e altre parti in plastica	Materiale conforme al contrassegno (PA, PP, PE)
Banda per gambe	PA, PES, PVC, PU

Tutti i componenti del prodotto sono resistenti alla corrosione o anti-corrosione.

## 11.6 Forze di esercizio dei controlli

Controllo	Forza di esercizio
Pulsanti sulla centralina	4 N
Pulsanti sulla pulsantiera	4 N
Comando a pedale su ISA™ COMPACT con ruote orientabili da 100 mm*	270 N
Leva del meccanismo di apertura della base su ISA™ COMPACT	64 N
Leva del meccanismo di apertura della base su ISA™ STANDARD	70 N
Leva per il meccanismo di apertura della base su ISA™ PLUS	85 N

\* Per tutti gli altri modelli e dimensioni delle ruote orientabili, è obbligatoria una leva per il meccanismo manuale di apertura della base.

## 12 Compatibilità elettromagnetica (EMC)

### 12.1 Informazioni generali sulla compatibilità elettromagnetica (EMC)

Le apparecchiature elettromedicali devono essere installate e utilizzate conformemente alle informazioni sulla compatibilità elettromagnetica contenute nel presente manuale.

Questo prodotto è stato collaudato ed è risultato conforme ai limiti di compatibilità elettromagnetica specificati dalla norma IEC/EN 60601-1-2 per le apparecchiature di classe B.

Le apparecchiature di comunicazione RF portatili e mobili possono influenzare il funzionamento di questo prodotto.

Altri dispositivi possono subire interferenze anche dai bassi livelli di emissioni elettromagnetiche consentiti dalla norma di cui sopra. Per determinare se l'interferenza è causata dalle emissioni di questo prodotto, azionarlo e arrestarlo. Se cessa l'interferenza con il funzionamento degli altri dispositivi, è questo prodotto a causare tale interferenza. In questi rari casi, l'interferenza può essere ridotta o corretta nel modo seguente:

- Riposizionare o spostare i dispositivi aumentando la distanza tra essi.

### 12.2 Emissioni elettromagnetiche

#### Linee guida e dichiarazione del produttore

Questo prodotto è inteso per un utilizzo in un ambiente elettromagnetico di seguito specificato. Il cliente o l'utilizzatore di questo prodotto deve assicurarsi che venga usato in un ambiente di tal tipo.


Test di emissioni	Conformità	Ambiente elettromagnetico - guida
Emissioni RF CISPR 11	Gruppo I	Questo prodotto utilizza energia RF solo per il suo funzionamento interno. Pertanto, le sue emissioni RF sono molto basse e non tali da causare interferenze nelle apparecchiature elettroniche vicine.
Emissioni RF CISPR 11	Classe B	Questo prodotto è idoneo all'uso in qualsiasi struttura, comprese quelle domiciliari e quelle collegate direttamente alla rete di alimentazione elettrica pubblica a bassa tensione che serve gli edifici ad uso civile.
Emissioni armoniche IEC 61000-3-2	Classe A	
Oscillazioni di tensione / emissioni di sfarfallamento (flicker) IEC 61000-3-3	Conforme	

### 12.3 Immunità elettromagnetica

#### Linee guida e dichiarazione del produttore

Questo prodotto è inteso per un utilizzo in un ambiente elettromagnetico di seguito specificato. Il cliente o l'utilizzatore di questo prodotto deve assicurarsi che venga usato in un ambiente di tal tipo.

Test di immunità	Test / Livello di conformità	Ambiente elettromagnetico - guida
Scariche elettrostatiche (ESD) IEC 61000-4-2	± 8 kV contatto ± 2 kV, ± 4 kV, ± 8 kV, ± 15 kV aria	I pavimenti devono essere in legno, cemento o piastrelle di ceramica. Se i pavimenti sono ricoperti da materiale sintetico, l'umidità relativa deve essere di almeno il 30%.
Transitorio elettrostatico / treni di impulsi (burst) IEC 61000-4-4	± 2 kV per linee di alimentazione elettrica; 100 kHz di frequenza di ripetizione ± 1 kV per linee di ingresso / uscita; 100 kHz di frequenza di ripetizione	La qualità della connessione elettrica deve essere quella di un tipico ambiente commerciale od ospedaliero.

Test di immunità	Test / Livello di conformità	Ambiente elettromagnetico - guida
Sbalzi di tensione IEC 61000-4-5	± 1 kV da linea a linea ± 2 kV da linea a terra	La qualità della connessione elettrica deve essere quella di un tipico ambiente commerciale od ospedaliero.
Vuoti di tensione, brevi interruzioni e variazioni di tensione sulle linee di alimentazione elettrica in ingresso IEC 61000-4-11	< 0% $U_T$ per 0,5 cicli con incrementi di 45 ° 0% $U_T$ per 1 ciclo 70% $U_T$ per 25 / 30 cicli < 5% $U_T$ per 250 / 300 cicli	La qualità della connessione elettrica deve essere quella di un tipico ambiente commerciale od ospedaliero. Se l'utilizzatore di questo prodotto avesse bisogno di un funzionamento continuo durante le interruzioni di corrente elettrica, si consiglia di alimentare il prodotto tramite un gruppo di continuità o una batteria.  $U_T$ è la tensione di alimentazione c.a. prima dell'esecuzione del livello di prova.
Campi magnetici alla frequenza di rete (50/60 Hz) IEC 61000-4-8	30 A/m	I campi magnetici della frequenza di rete devono essere a livelli caratteristici di un tipico ambiente commerciale od ospedaliero.
RF condotta IEC 61000-4-6	3 V da 150 kHz a 80 Mhz	L'intensità di campo dei trasmettitori fissi, come stazioni base per radio, telefoni (cellulari/cordless) e radiocomunicazioni sul campo (land mobile radio), radioamatori, trasmissioni radio AM ed FM e trasmissioni TV non può essere quantificata in modo teorico a priori e con precisione. Per valutare l'ambiente elettromagnetico dovuto ai trasmettitori RF fissi va presa in considerazione la necessità di un'indagine elettromagnetica in sito. Se l'intensità di campo misurata nella zona in cui viene usato tale prodotto supera il suddetto livello di conformità RF applicabile, controllare che il prodotto funzioni normalmente. In caso di funzionamento anomalo, saranno necessarie misure aggiuntive, come un nuovo orientamento o una risistemazione di questo prodotto.
RF irradiata IEC 61000-4-3	6 V in bande ISM e per radioamatori	Possono verificarsi interferenze nelle vicinanze delle apparecchiature contrassegnate dal seguente simbolo: 
	10 V/m da 80 Mhz a 2,7 GHz	Non utilizzare apparecchiature di comunicazione RF portatili e mobili a una distanza inferiore a 30 cm da qualsiasi parte di questo prodotto, compresi i cavi.
	Per le specifiche di test da 385 MHz a 5785 MHz per l'immunità alle apparecchiature di comunicazione RF wireless, fare riferimento alla tabella 9 della norma IEC 60601-1-2:2014.	



Queste indicazioni possono non essere valide in tutte le situazioni. La propagazione elettromagnetica è pregiudicata dall'assorbimento e dalla riflessione di strutture, oggetti e persone.



# Inhoudsopgave

Deze handleiding dient te worden overhandigd aan de gebruiker van het product. Lees deze handleiding VÓÓR u het product gebruikt en bewaar hem voor eventuele raadplegingen in de toekomst.

<b>1 Algemeen</b>	<b>162</b>
1.1 Inleiding	162
1.1.1 Symbolen in deze handleiding	162
1.2 Levensduur	162
1.2.1 Aanvullende informatie	162
1.3 Aansprakelijkheidsbeperking	162
1.4 Garantie-informatie	162
1.5 Naleving	162
1.5.1 Productspecifieke normen	162
<b>2 Veiligheid</b>	<b>163</b>
2.1 Algemene veiligheidsinformatie	163
2.1.1 Klempunten	164
2.2 Veiligheidsinformatie over accessoires	164
2.3 Veiligheidsinformatie over elektromagnetische interferentie	164
2.3.1 Acculaadmodus	165
2.4 Typeplaatjes en symbolen op het product	165
2.4.1 Locatie van de labels	165
2.4.2 Typeplaatje	165
2.4.3 Overige symbolen	165
<b>3 Productoverzicht</b>	<b>167</b>
3.1 Bedoeld gebruik	167
3.2 Hoofdonderdelen van de lift	167
3.3 Accessoires	168
<b>4 Montage</b>	<b>169</b>
4.1 Algemene veiligheidsinformatie	169
4.2 Omvang van de levering	169
4.3 De mast op het onderstel installeren	169
4.4 De voetplaat installeren	170
4.5 De beenband aanbrengen	170
4.6 De beensteun installeren	170
4.7 Hendel voor handmatig uitklappen van poten installeren	171
4.8 Het servicelampje resetten	171
<b>5 Gebruik</b>	<b>172</b>
5.1 Algemene veiligheidsinformatie	172
5.2 De achterste zwenkwielen vergrendelen/ontgrendelen	172
5.3 Een elektrische lift omhoog of omlaag brengen	172
5.4 De poten inklappen en uitklappen	172
5.4.1 De elektrische poten in- en uitklappen	172
5.4.2 De poten handmatig in- en uitklappen	172
5.5 De arm afstellen op de lengte van de patiënt	173
5.6 De hoogte van de beensteun aanpassen	173
5.7 De beenband gebruiken	173
5.8 Functies voor noodgevallen	174
5.8.1 Een noodstop uitvoeren	174
5.8.2 De verlagingsfunctie activeren in een noodgeval (CBJ Home-bedieningseenheid)	174
5.8.3 De verlagingsfunctie activeren in een noodgeval (bedieningseenheid van CBJ Care, CBJ1 en CBJ2)	174
5.8.4 De optilfunctie activeren in een noodgeval (bedieningseenheid van CBJ Care en CBJ1)	174
5.8.5 Het verlagingsmechanisme activeren in een noodgeval	174
5.9 De accu opladen	175
5.9.1 CBJ Home-bedieningseenheid	175
5.9.2 CBJ Care-, CBJ1-, CBJ2-bedieningseenheid	175
5.9.3 Optionele acculader	176
<b>6 Verplaatsen van een patiënt</b>	<b>178</b>
6.1 Algemene veiligheidsinformatie	178
6.2 De draagband aan de lift bevestigen	179
6.3 Een patiënt verplaatsen	180
<b>7 Transport en opslag</b>	<b>182</b>
7.1 Algemene informatie	182
7.2 De lift demonteren	182
<b>8 Onderhoud</b>	<b>183</b>
8.1 Algemene informatie over onderhoud	183
8.2 Dagelijkse controles	183
8.3 Reiniging en desinfectie	183
8.3.1 Algemene veiligheidsinformatie	183
8.3.2 Reinigingsintervallen	183
8.3.3 Reinigingsinstructies	184
8.3.4 Instructies voor desinfecteren	184
8.4 Periodiek onderhoud	184
<b>9 Na gebruik</b>	<b>185</b>
9.1 Afvoeren	185
9.2 Geschikt maken voor hergebruik	185
<b>10 Problemen oplossen</b>	<b>186</b>
10.1 Defecten en mogelijke oplossingen identificeren	186
<b>11 Technische Specificaties</b>	<b>188</b>
11.1 Maximale veilige belasting	188
11.2 Afmetingen en gewichten	188
11.3 Elektrisch systeem	189
11.4 Voorwaarden voor de gebruiksomgeving	190
11.5 Materialen	190
11.6 Duwkracht op bedieningselementen	190
<b>12 Elektromagnetische compatibiliteit (EMC)</b>	<b>191</b>
12.1 Algemene informatie over EMC	191
12.2 Elektromagnetische straling	191
12.3 Elektromagnetische immuniteit	191

# 1 Algemeen

## 1.1 Inleiding

Deze gebruikershandleiding bevat belangrijke informatie over het gebruik van dit product. Lees de gebruikershandleiding aandachtig door en volg de veiligheidsinstructies, zodat u zeker weet dat u het product veilig gebruikt.

Omdat dit document betrekking heeft op alle beschikbare modellen (op de datum waarop dit document is gedrukt), zijn mogelijk niet alle delen relevant voor uw product. Indien niet expliciet anders wordt vermeld, verwijst elk hoofdstuk in dit document naar alle modellen van het product.

De modellen en uitvoeringen die in uw land beschikbaar zijn, zijn te vinden op de prijslijst van het desbetreffende land.

Invacare behoudt zich het recht voor om productspecificaties zonder voorafgaande kennisgeving te wijzigen.

Controleer voordat u dit document leest of u de juiste versie hebt. U vindt een pdf-bestand met de laatste versie op de Invacare-website.

Als u de lettergrootte in de gedrukte versie van het document moeilijk kunt lezen, kunt u een pdf-versie downloaden van de website. In de pdf-versie kunt u de letters op het scherm aanpassen tot een grootte die u prettiger vindt.

Neem voor meer informatie over het product, bijvoorbeeld meldingen over productveiligheid en teruggeroepen producten, contact op met uw Invacare-vertegenwoordiger. Zie de adressen aan het einde van dit document.

In geval zich een ernstig incident met het product voordoet, dient u de fabrikant en de bevoegde instantie in uw land daarvan op de hoogte te brengen.

### 1.1.1 Symbolen in deze handleiding

In deze handleiding worden waarschuwingen aangeduid met symbolen. De waarschuwingssymbolen worden vergezeld van een kop die de ernst van het gevaar aangeeft.



#### WAARSCHUWING

Duidt op een gevaarlijke situatie die kan leiden tot ernstig letsel of overlijden als de situatie niet wordt vermeden.



#### VOORZICHTIG

Duidt op een gevaarlijke situatie die kan leiden tot licht of klein letsel als de situatie niet wordt vermeden.



#### BELANGRIJK

Duidt op een gevaarlijke situatie die kan leiden tot materiële schade als de situatie niet wordt vermeden.



#### Tips en adviezen

Hier worden nuttige tips, adviezen en informatie voor efficiënt, probleemloos gebruik gegeven.

## 1.2 Levensduur

De verwachte levensduur van dit product is acht jaar bij dagelijks gebruik en in overeenstemming met de

veiligheidsinstructies, onderhoudstermijnen en bij correct gebruik, zoals aangegeven in deze handleiding. De effectieve levensduur kan variëren afhankelijk van de frequentie en intensiteit van het gebruik.

### 1.2.1 Aanvullende informatie

De verwachte levensduur wordt gebaseerd op een geschat gemiddelde van 4 liftcycli per dag.

## 1.3 Aansprakelijkheidsbeperking

Invacare aanvaardt geen aansprakelijkheid voor schade veroorzaakt door:

- Niet in acht nemen van de gebruikershandleiding
- Verkeerd gebruik
- Normale slijtage
- Verkeerde montage of afstelling door de koper of een derde
- Technische aanpassingen
- Niet-geautoriseerde wijzigingen en/of gebruik van ongeschikte reserveonderdelen

## 1.4 Garantie-informatie

Wij bieden voor dit product een fabrieksgarantie in overeenstemming met onze Algemene Voorwaarden in de respectievelijke landen.

Garantieclaims kunnen alleen worden ingediend via de dealer bij wie u het product hebt gekocht.

## 1.5 Naleving

Kwaliteit is cruciaal bij onze bedrijfsactiviteiten, waarbij wordt gewerkt binnen de normen van ISO 13485.

Dit product is voorzien van het CE-merkteken conform Richtlijn 2017/745 betreffende medische hulpmiddelen, klasse 1. De introductiedatum van dit product staat vermeld in de CE-conformiteitsverklaring.

Wij werken er continu aan om ervoor te zorgen dat het effect van het bedrijf op het milieu, zowel lokaal als internationaal, zo veel mogelijk wordt beperkt.

Wij maken uitsluitend gebruik van materialen en onderdelen die voldoen aan de REACH-richtlijnen.

Wij leven de huidige milieuwetgevingen AEEA en RoHS na.

### 1.5.1 Productspecifieke normen

Het product is getest en voldoet aan de norm ISO 10535 (Tilliften voor het verplaatsen van gehandicapten) en alle bijbehorende normen.

Neem voor meer informatie over de lokale normen en voorschriften contact op met uw lokale Invacare-vertegenwoordiger. Zie de adressen aan het einde van dit document.

## 2 Veiligheid

### 2.1 Algemene veiligheidsinformatie

Dit deel van de handleiding bevat algemene veiligheidsinformatie over uw product. Raadpleeg voor specifieke veiligheidsinformatie het betreffende deel van de handleiding en de procedures in dat deel.



#### **WAARSCHUWING!**

##### **Risico op letsel of beschadiging**

- Gebruik dit product of de beschikbare optionele apparatuur alleen als u deze instructies en het eventuele aanvullende instructiemateriaal volledig hebt doorgelezen en begrepen, met inbegrip van de gebruikershandleidingen of instructiebladen die bij dit product of de optionele apparatuur worden verstrekt. Als u de waarschuwingen, aandachtspunten of instructies niet begrijpt, dient u contact op te nemen met een zorgverlener, een Invacare-leverancier of een technisch medewerker voordat u dit product gaat gebruiken.
- Voer geen niet-geautoriseerde wijzigingen of aanpassingen uit op het product.



#### **WAARSCHUWING!**

##### **De maximale veilige belasting mag niet worden overschreden.**

- De maximale veilige belasting van dit product en de gebruikte accessoires, zoals draagbanden, mag niet worden overschreden. Zie de documentatie of het etiket voor de vermelde maximale veilige belasting.
- Het onderdeel met de laagste maximale belastbaarheid is bepalend voor de maximale veilige belasting van het gehele systeem.



#### **WAARSCHUWING!**

##### **Risico op letsel of beschadiging**

- Verkeerd gebruik van dit product kan leiden tot schade of lichamelijk letsel.
- Verplaats een patiënt nooit zonder toestemming van de professionele zorgverlener van de patiënt.
  - Lees de instructies in deze gebruikershandleiding door en kijk eerst hoe de procedures voor het overplaatsen van patiënten worden uitgevoerd door getraind personeel. Oefen vervolgens zelf met het overplaatsen onder toezicht en met een geschikte persoon die de rol van patiënt speelt.
  - Een patiënt die met de actieve tillift wordt verplaatst, MOET in staat zijn mee te werken, zich voldoende bewust zijn van de situatie en voldoende controle hebben over hoofd en nek. Er kan anders lichamelijk letsel optreden.
  - Een patiënt die met slechts een draagband en ondersteuning van de rug wordt verplaatst, MOET in staat zijn een groot deel van zijn/haar eigen gewicht te ondersteunen. Er kan anders lichamelijk letsel of schade optreden. Raadpleeg de gebruikershandleiding voor de draagband voor meer informatie.

- Gebruik de lift niet als vervoermiddel. De lift is bedoeld voor het verplaatsen van een persoon van het ene zitoppervlak naar het andere.



#### **WAARSCHUWING!**

##### **Risico op letsel of beschadiging**

- Verkeerd gebruik van de kabels, verkeerde aansluiting en ongeautoriseerd gebruik van apparatuur kan elektrische schokken of defecten aan het product veroorzaken.
- Zorg ervoor dat u de kabels van het product niet knikt, afsnijdt of beschadigt.
  - Zorg ervoor dat er tijdens het gebruik van het product geen kabels bekneld of beschadigd raken.
  - Zorg ervoor dat de bedrading en aansluitingen goed zijn aangelegd.
  - Gebruik geen apparatuur als u daartoe niet bevoegd bent.



#### **WAARSCHUWING!**

##### **Risico op letsel of beschadiging**

- Door te veel vocht kan het product beschadigd raken en kunnen er elektrische schokken optreden.
- De patiëntenlift kan in een badkamer worden gebruikt, maar mag NIET onder de douche worden gebruikt. De patiënt moet worden verplaatst naar een douchestoel of een ander hulpmiddel gebruiken voor het douchen.
  - Als de patiëntenlift wordt gebruikt in een vochtige omgeving, moet deze na gebruik worden afgedroogd.
  - Sluit het netsnoer niet aan en koppel het netsnoer niet los in een vochtige omgeving of met natte handen.
  - Bewaar het product niet in een vochtige ruimte of onder vochtige omstandigheden.
  - Inspecteer regelmatig alle onderdelen van het product op tekenen van corrosie of schade. Vervang onderdelen met corrosiesporen of schade.
  - Zie *11.4 Voorwaarden voor de gebruiksomgeving, pagina 190*



#### **WAARSCHUWING!**

##### **Risico op letsel of beschadiging**

- Ontstekingsbronnen kunnen brand of vuur veroorzaken.
- Tijdens het verplaatsen van een patiënt moet een veilige afstand worden bewaard tussen de lift en mogelijke ontstekingsbronnen (zoals een kachel, fornuis of openhaard).
  - Het is voor de patiënt en begeleiders verboden om tijdens het verplaatsen te roken.
  - De draagband mag niet boven of op een warmtebron worden gelegd (zoals een kachel, fornuis of openhaard).



#### **WAARSCHUWING!**

##### **Risico op letsel of beschadiging**

- Letsel of beschadiging voorkomen tijdens het gebruik van het product:
- Als het product wordt gebruikt in de buurt van kinderen of huisdieren, moeten zij nauwlettend in de gaten worden gehouden.

- Laat kinderen niet met het product spelen.

**LET OP!****Risico op letsel of beschadiging**

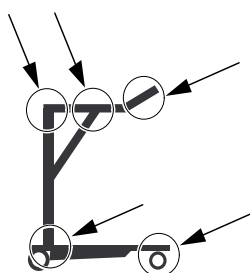
Het product kan heet worden bij blootstelling aan zonlicht of een andere warmtebron.

- Stel het product niet gedurende langere periodes bloot aan direct zonlicht.
- Houd het product uit de buurt van warmtebronnen.

**BELANGRIJK!**

Het product kan defect raken als zich te veel plus, stof of vuil op het product heeft opgebouwd.

- Houd het product schoon.

**2.1.1 Klempunten****WAARSCHUWING!****Risico op lichamelijk letsel**

De lift omvat verschillende klempunten, waartussen lichaamsdelen bekneld kunnen raken.

- Houd handen, vingers en voeten altijd uit de buurt van bewegende onderdelen.

**2.2 Veiligheidsinformatie over accessoires****LET OP!****Risico op lichamelijk letsel**

Niet-originele of onjuiste accessoires kunnen van invloed zijn op de werking en veiligheid van dit product.

- Omdat er verschillen zijn per regio, kunt u het beste de Invacare-website of -catalogus voor uw regio raadplegen voor de beschikbare accessoires. U kunt ook contact opnemen met uw Invacare-leverancier.
- Raadpleeg de handleiding bij de accessoires voor meer informatie en instructies.
- Gebruik alleen originele accessoires voor het product dat u gebruikt. In bepaalde omstandigheden is het gebruik van een draagband van een andere fabrikant echter wel mogelijk. Zie de aanvullende informatie in deze paragraaf.
- Altijd een risicobeoordeling uit te laten voeren door een professional voordat u liftonderdelen aan iemand verstrekt. Het is belangrijk om bij de risicobeoordeling rekening te houden met het gebruiksdoel, de persoon, de belasting, de omgeving en het materiaal.
- Het ontwerp en het formaat van de draagband altijd te kiezen op basis van het gewicht, de omvang en het fysieke vermogen van de patiënt

en daarbij rekening te houden met de wijze waarop de verplaatsing zal plaatsvinden.

**LET OP!****Compatibiliteit van draagbanden met het bevestigingssysteem**

Invacare gebruikt een normaal bevestigingssysteem met haken en lussen. De lussen aan de draagband worden bevestigd aan de haken op de lift. Daarom kunnen ook geschikte draagbanden van andere fabrikanten met deze lift worden gebruikt.

- Gebruik alleen draagbanden die geschikt zijn voor gebruik met een actieve tillift.
- Gebruik alleen draagbanden met lusbevestigingen die geschikt zijn voor haken als bevestigingspunt.
- Gebruik geen draagbanden die zijn ontworpen voor 'systemen met sleutelgat- of klembevestiging' of 'systemen met kantelframe'.

**2.3 Veiligheidsinformatie over elektromagnetische interferentie****WAARSCHUWING!****Defecten mogelijk als gevolg van elektromagnetische interferentie**

Er kan elektromagnetische interferentie optreden tussen dit product en andere elektrische apparatuur. De elektrische afstel functies van dit product kunnen hierdoor verstoord worden. U kunt elektromagnetische interferentie op de volgende manieren voorkomen of verminderen:

- Gebruik alleen originele accessoires en reserve-onderdelen. Zo neemt de elektromagnetische emissie niet toe en neemt de elektromagnetische immuniteit van dit product niet af.
- Houd draagbare RF-communicatieapparatuur op ten minste 30 cm van de onderdelen van dit product (inclusief kabels).
- Gebruik dit product niet in de buurt van actieve hoogfrequente chirurgische apparatuur of een voor RF-straling afgeschermd MRI-ruimte, waar elektromagnetische storingen in hoge mate aanwezig zijn.
- Als er sprake is van storingen, vergroot u de afstand tussen dit product en de overige apparatuur of schakelt u die apparatuur uit.
- Raadpleeg de gedetailleerde informatie en volg de richtlijnen van hoofdstuk 12 *Elektromagnetische compatibiliteit (EMC)*, pagina 191

**WAARSCHUWING!****Risico op storing**

Elektromagnetische interferentie kan een onjuiste werking tot gevolg hebben.

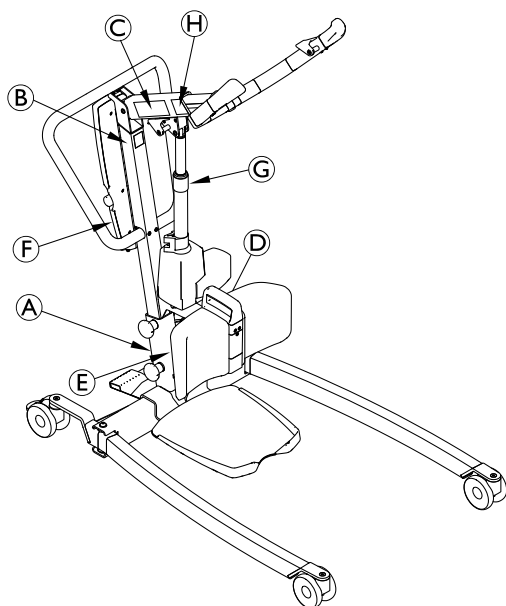
- Gebruik dit product niet naast of gestapeld met andere elektrische apparatuur. Als het toch nodig is dit product op dergelijke wijze te gebruiken, moet u de werking van het product en de andere apparatuur goed in de gaten houden.

### 2.3.1 Acculaadmodus

**!** **BELANGRIJK!**  
 Tijdens het opladen van de accu is er een grotere kans dat de bedieningseenheid beschadigd raakt door een elektrostatische ontlading (ESD). Een ESD die tijdens het opladen van de accu optreedt, kan ertoe leiden dat de bedieningseenheid niet meer of niet goed meer werkt.  
 – Vermijd mogelijke bronnen van ESD tijdens het opladen van de accu.

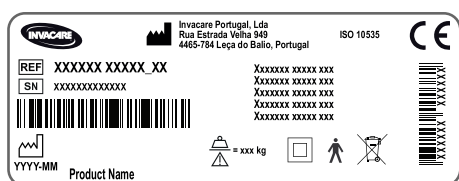
## 2.4 Typeplaatjes en symbolen op het product

### 2.4.1 Locatie van de labels



(A)	Typeplaatje
(B)	Label 'lees de gebruikershandleiding'
(C)	Naam en veilige belasting van de lift – afhankelijk van het model
(D)	Label met voorwaarden voor de gebruiksomgeving en het maximale gewicht
(E)	Veilige belasting van de lift – afhankelijk van het model
(F)	Label met afwijzing van garantie; niet op alle modellen aanwezig
(G)	Waarschuwinglabel
(H)	Label met arminstellingen

### 2.4.2 Typeplaatje



Het typeplaatje bevat de belangrijkste productinformatie, inclusief technische gegevens.

### Symbolen

	Serienummer
	Referentienummer
	Adres van de fabrikant
	Productiedatum
	Veilig te belasten tot maximaal
	Apparatuur van KLASSE II
	Toegepast onderdeel van type B
	Conform AEEA
	Conformiteit in Europa


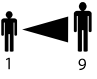
Afkortingen voor technische gegevens:

- lin = ingangsstroom
- Uin = ingangsspanning
- Int. = onderbrekingen
- AC = wisselstroom
- Max = maximum
- min = minuten

Zie 11 Technische Specificaties, pagina 188 voor meer informatie over de technische gegevens.

### 2.4.3 Overige symbolen

	Zie de gebruikershandleiding
	Totale gewicht van het product met de maximale veilig toe te passen belasting
	Gebruik de actuator niet als duwstang
	Niet verwijderen Als dit wordt verwijderd of verbroken, vervalt de garantie
	Minimale/maximale temperatuur
	Minimale/maximale luchtvochtigheid
	Minimale/maximale atmosferische druk
	Transport- en opslagvoorschriften

	Voorwaarden voor gebruik
	Arminstelling in verhouding tot de lengte van de patiënt

## 3 Productoverzicht

### 3.1 Bedoeld gebruik

De actieve patiëntentillift is een verplaatsingsapparaat dat op een accu werkt en is bedoeld voor het verplaatsen en positioneren van een persoon van de ene zitplaats naar de andere. Bijvoorbeeld:

- Tussen bed en rolstoel
- Van en naar het toilet
- Revalidatie, een patiënt helpen omhoog komen vanuit een zittende positie naar een staande positie

De maximale veilige belasting staat vermeld in *11 Technische Specificaties, pagina 188*

De actieve patiëntentillift is ontwikkeld voor gebruik binnenshuis op een vlak oppervlak, in ziekenhuizen, verpleeginstellingen en thuis. De actieve patiëntentillift kan worden gedraaid (om zijn as) voor het verplaatsen van patiënten in kleine ruimten.

De beoogde bediener van dit product is een zorgprofessional of een privépersoon die voldoende training heeft gehad.

### Indicaties

De actieve tillift is bedoeld voor het verplaatsen en positioneren van deels immobiele patiënten die hun eigen gewicht kunnen ondersteunen.

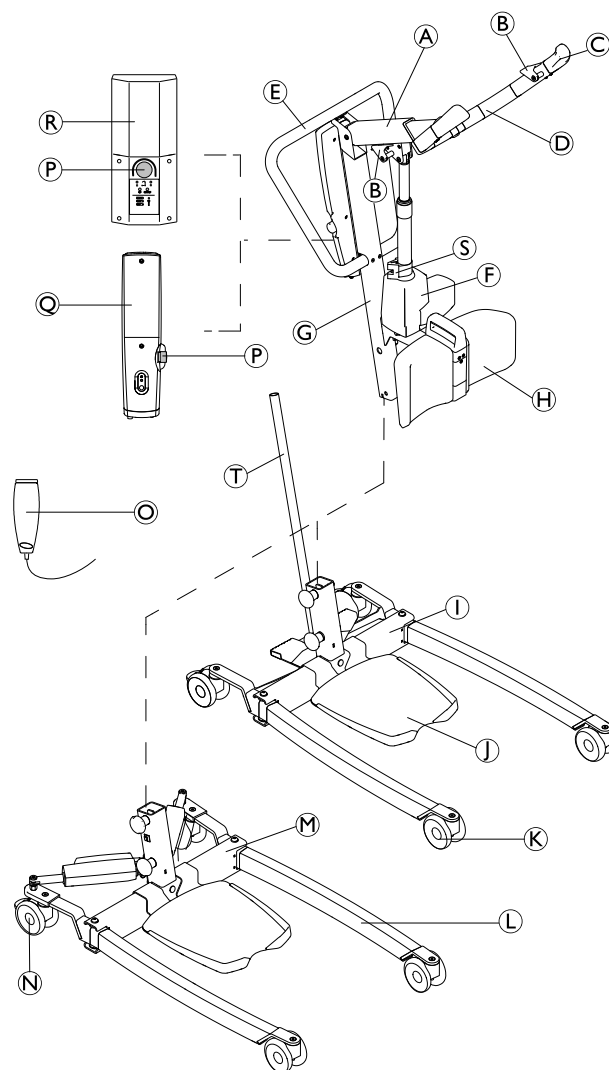
### Contra-indicaties

Het gebruik van de actieve tillift is gecontra-indiceerd voor patiënten die:

- niet kunnen of willen meewerken
- de instructies niet begrijpen of niet kunnen opvolgen
- geen goede controle hebben over hoofd en nek
- onvoldoende stabiliteit hebben in de romp

Sommige draagbanden die zijn bedoeld voor de actieve tillift zijn gecontra-indiceerd voor gebruik bij patiënten die niet grotendeels hun eigen gewicht kunnen ondersteunen. Raadpleeg de gebruikershandleiding voor de draagband voor meer informatie.

### 3.2 Hoofdonderdelen van de lift



Ⓐ	Hefboom
Ⓑ	Haak voor draagband
Ⓒ	Handgreep
Ⓓ	Arm
Ⓔ	Duwstang
Ⓕ	Liftactuator
Ⓖ	Mast
Ⓗ	Beensteun (gefixeerd of draaibaar)
Ⓘ	Onderstel met voetpedaal voor handmatig uitklappen van poten
Ⓙ	Voetplaat (hoog, laag of in een hoek)
Ⓚ	Voorste zwenkwielen
Ⓛ	Been
Ⓜ	Onderstel met actuatoren voor elektrisch uitklappen van poten — met of zonder actuatorbehuizing
Ⓝ	Achterste zwenkwielen met rem
Ⓞ	Handbediening
Ⓟ	Noodstop

©	CBJ Home-bedieningseenheid met geïntegreerde accu
®	CBJ Care-, CBJ1- of CBJ2-bedieningseenheid met afneembare accu
§	Verlagingsmechanisme voor noodgevallen
Ⓣ	Hendel voor handmatig uitklappen van poten

### 3.3 Accessoires



Omdat er verschillen zijn per regio, kunt u het beste de Invacare-website of -catalogus voor uw regio raadplegen voor informatie over de beschikbare accessoires. U kunt ook contact opnemen met uw Invacare-leverancier.

- Hendel voor handmatig uitklappen van poten
- Beschermende afdekking voor poten
- Beenband
- Muuroplader voor een afneembare accu
- Extra accu
- Extra voetplaat (hoog, laag of in een hoek)

Draagbandmodellen met lusbevestigingen, geschikt voor haken als bevestigingspunt:

- Invacare® Stand Assist-draagband (Europa) / Invacare® Standup-draagband (regio Azië-Stille Oceaan): Tweepuntsbevestiging met alleen ondersteuning van de rug.
- Invacare® Transfer Stand Assist-draagband: Vierpuntsbevestiging met alleen ondersteuning van de rug en benen.



## 4 Montage

### 4.1 Algemene veiligheidsinformatie



#### WAARSCHUWING!

- Controleer vóór gebruik alle onderdelen op transportschade.
- Gebruik het apparaat niet als dit beschadigd is. Neem contact op met uw Invacare-leverancier voor verdere instructies.



#### WAARSCHUWING!

##### Gevaar voor lichamelijk letsel

- Een onjuiste montage kan tot letsel of schade leiden.
- Gebruik alleen onderdelen van Invacare voor de montage van deze patiëntenlift.
  - Controleer na elke montage of alle bevestigingen goed zijn vastgedraaid en of alle onderdelen correct functioneren.
  - Draai de schroeven of onderdelen niet te strak aan. Hierdoor kunnen de montagebeugels beschadigd raken.

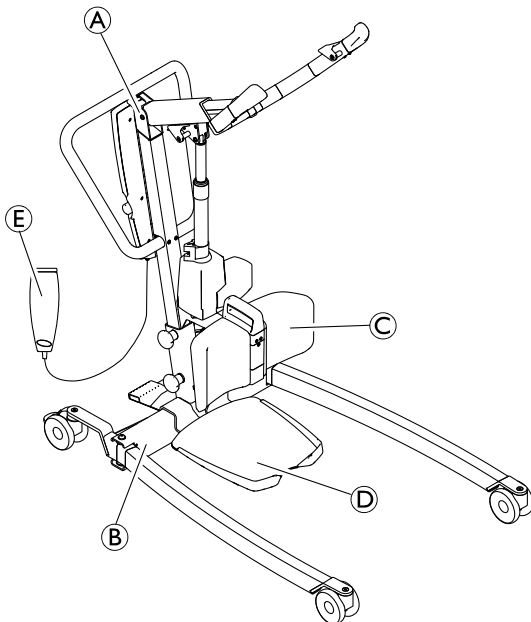


Er is geen gereedschap nodig om de patiëntenlift te monteren.

Neem bij problemen tijdens de montage contact op met uw Invacare-leverancier.

### 4.2 Omvang van de levering

Welke onderdelen de verpakking bevat, hangt af van de modellen en uitvoeringen die in uw land beschikbaar zijn. Zie 1.1 Inleiding, pagina 162



Ⓐ	Mast-/hefboomsysteem (1 onderdeel) - inclusief bedieningseenheid en actuator
Ⓑ	Onderstel met of zonder actuators (1 onderdeel)
Ⓒ	Beensteun
Ⓓ	Voetplaat
Ⓔ	Handbediening (1 onderdeel)
	Voedingskabel (1 onderdeel)
	Gebruikershandleiding (1 onderdeel)
	Accu (1 of 2 onderdelen)* – alleen CBJ Care, CBJ1 en CBJ2
	Hendel voor handmatig uitklappen van poten (1 onderdeel)*
	Beenband (1 onderdeel)*
	Draagband (1 onderdeel)*

\* Afhankelijk van model en/of uitvoering



Als de lift wordt geleverd met een draagband, dient u de gebruikershandleiding van de draagband te raadplegen voor instructies voor het gebruik, de toepassing, het onderhoud en het wassen van de draagband.

### 4.3 De mast op het onderstel installeren

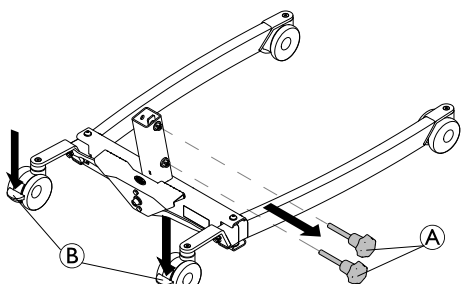


#### WAARSCHUWING!

##### Risico op letsel of beschadiging

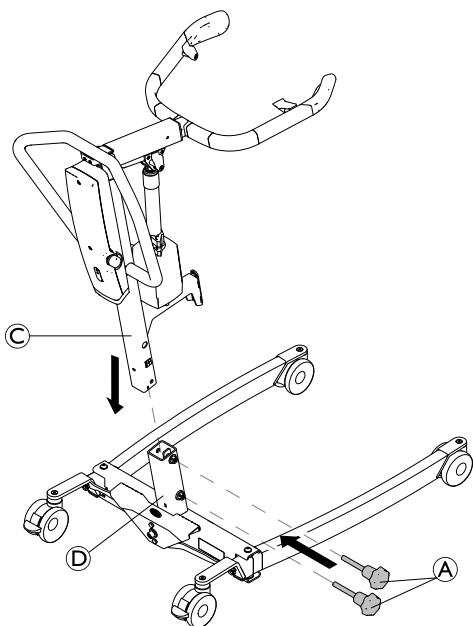
- Op de hefboom en het onderstel moet dezelfde waarde staan bij 'Veilig te belasten tot maximaal'.
- Vergelijk deze aanduidingen op het onderstel en de hefboom altijd met elkaar.

1.



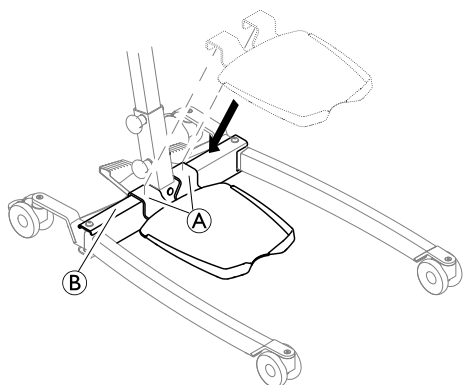
Vergrendel beide achterste zwenkwielen ② en draai de schroeven met de hand linksom ① om ze te verwijderen van het onderstel.

2.



Zorg dat de hefboom naar voren wijst, laat de mast ③ in de houder van het onderstel ④ zakken en plaats de schroeven ① terug om de mast ③ op het onderstel te bevestigen.

#### 4.4 De voetplaat installeren



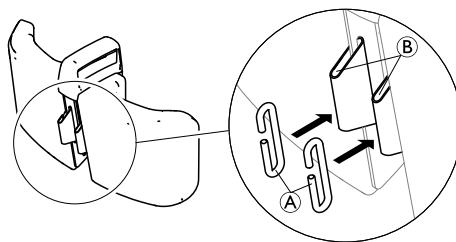
1. Laat de voetplaat op het onderstel zakken tot de beugels ① volledig over stang ② zijn geplaatst.

#### 4.5 De beenband aanbrenge

(optioneel)

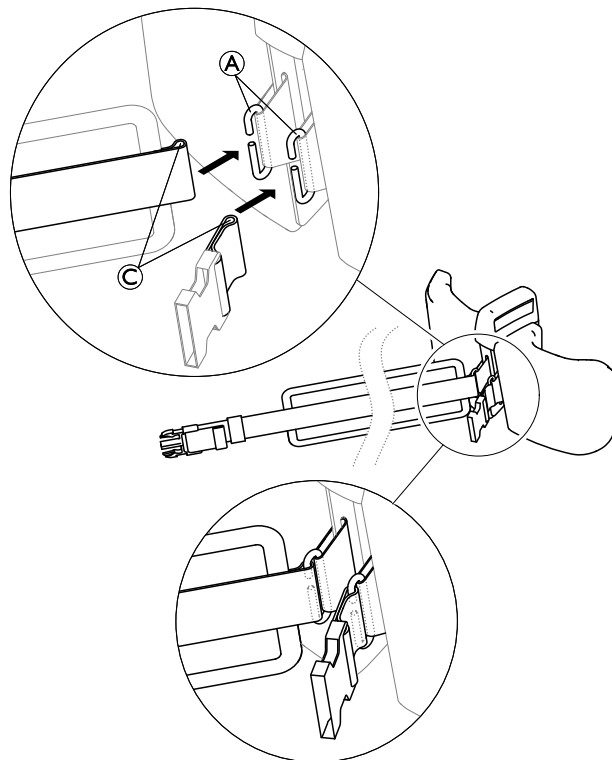
De beide delen van de beenband worden achter op de beensteun bevestigd.

1.



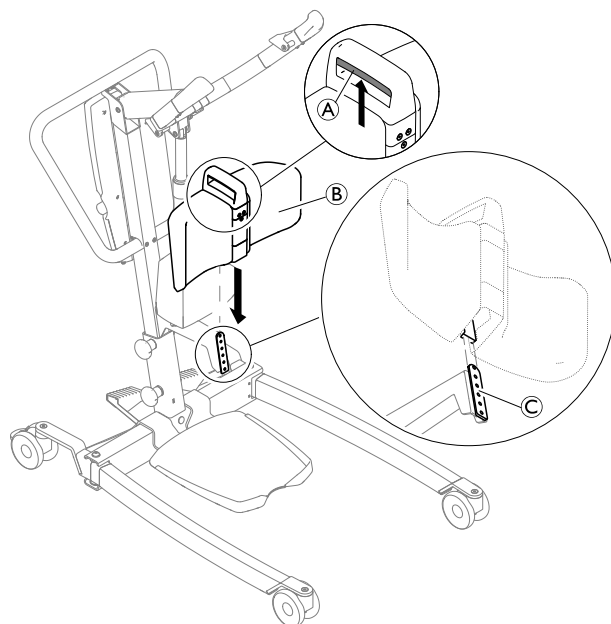
Steek de twee haken ① door de openingen ② op de achterkant van de beensteun.

2.



Steek de lussen ③ van de beide delen van de beenband door de haken ①.

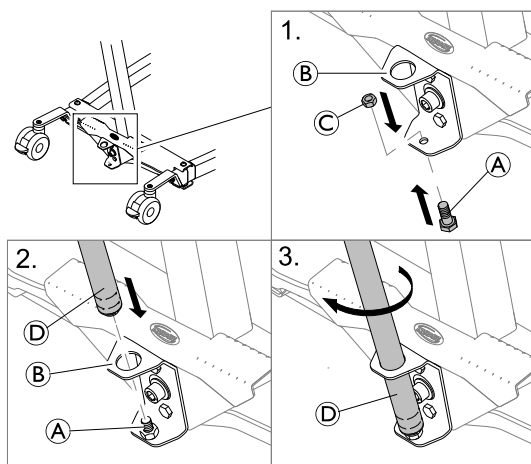
#### 4.6 De beensteun installeren



1. Duw ontgrendelingshendel **A** op beensteun **B** omhoog en houd hem daar vast.
2. Schuif de schuifstang achter op beensteun **B** op montageplaat **C** aan de mast.
3. Laat op de gewenste hoogte hendel **A** los en beweeg beensteun **B** iets omhoog of omlaag tot u een klik hoort die aangeeft dat beensteun **B** is vergrendeld in een van de zes hoogtestanden.

## 4.7 Hendel voor handmatig uitklappen van poten installeren

 Dopsleutel van 2 x 13 mm



1. Steek bout **A** van onderaf in het onderste gat van beugel **B** en zet deze vast met moer **C**.
2. Steek het schroefdraaduiteinde van hendel **D** in het bovenste gat van beugel **B** op de bevestigde bout **A**.
3. Schroef hendel **D** linksom vast op de bout.

## 4.8 Het servicelampje resetten

(alleen voor de CBJ Care-bedieningseenheid)



### BELANGRIJK!

Als het servicelampje geel knippert tijdens het dagelijkse gebruik of nadat de lift opnieuw in elkaar is gezet, is er onderhoud aan de lift vereist.  
– Neem voor onderhoud contact op met uw Invacare-leverancier.

Nadat de lift de eerste keer in elkaar is gezet, moet het servicelampje worden gereset voordat de lift wordt gebruikt.

Het servicelampje de eerste keer resetten:

1. Pak de handbediening.
2. Houd de knoppen OMHOOG en OMLAAG tegelijkertijd gedurende vijf seconden ingedrukt.
3. U hoort een geluid wanneer het servicelampje is gereset.

## 5 Gebruik

### 5.1 Algemene veiligheidsinformatie



#### WAARSCHUWING!

#### Risico op letsel of beschadiging

Raadpleeg de volgende veiligheidsinformatie en -instructies voordat u de lift met een patiënt gebruikt:

- 2 *Veiligheid, pagina 163*
- 6 *Verplaatsen van een patiënt, pagina 178*

### 5.2 De achterste zwenkwielen vergrendelen/ontgrendelen

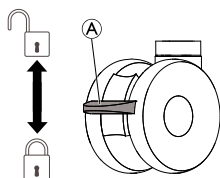


#### WAARSCHUWING!

#### Gevaar voor letsel of beschadiging

De lift kan kantelen waardoor een gevaarlijke situatie ontstaat voor zowel de patiënt als de assistenten.

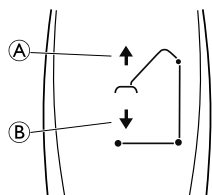
- Invacare raadt aan de vergrendeling van de achterste zwenkwielen niet in te schakelen tijdens het tillen en verplaatsen, zodat de patiëntenlift zichzelf kan stabiliseren als de patiënt in eerste instantie wordt opgetild en wordt verplaatst naar een stoel, bed of ander stilstaand object.
- Invacare raadt aan de vergrendeling van de achterste zwenkwielen van de lift alleen in te schakelen tijdens het positioneren en verwijderen van de draagband rond de patiënt.



- Druk pedaal **A** met uw voet naar beneden om de zwenkwielen te vergrendelen.
- Duw pedaal **A** omhoog met uw voet om de zwenkwielen te ontgrendelen.

### 5.3 Een elektrische lift omhoog of omlaag brengen

Met de handbediening kan de lift omhoog of omlaag worden gebracht.



1. De lift omhoog brengen: houd de knop NAAR BOVEN **A** ingedrukt om de arm en de patiënt omhoog te brengen.
2. De lift omlaag brengen: houd de knop NAAR BENEDEN **B** ingedrukt om de arm en de patiënt omlaag te brengen.



Laat de knop los om de lift stil te zetten tijdens het omhoog of omlaag brengen.

### 5.4 De poten inklappen en uitklappen



#### WAARSCHUWING!

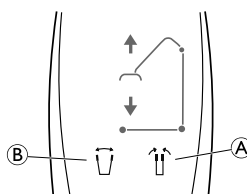
#### Risico op lichamelijk letsel

De lift kan kantelen waardoor een gevaarlijke situatie ontstaat voor zowel de patiënt als de assistenten.

- De poten van de lift moeten maximaal worden uitgeklaapt voor optimale stabiliteit en veiligheid. Als u de poten van de lift moet inklappen om deze onder een bed te manoeuvreren, klapt u de poten in totdat de lift zich boven de patiënt bevindt en tilt u de patiënt uit bed. Als de poten van de lift zich niet meer onder het bed bevinden, klapt u de poten van de lift weer uit naar de maximaal geopende stand.

#### 5.4.1 De elektrische poten in- en uitklappen

Met de handbediening kunnen de poten van het onderstel worden in- en uitgeklaapt.

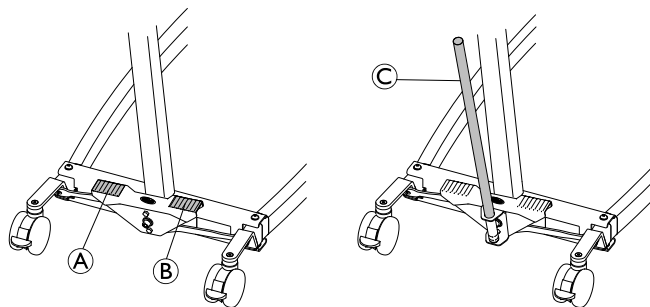


1. Klapt de poten in door de knop voor het inklappen van de poten **A** ingedrukt te houden.
2. Klapt de poten uit door de knop voor het uitklappen van de poten **B** ingedrukt te houden.



De poten komen tot stilstand als u de knop loslaat.

#### 5.4.2 De poten handmatig in- en uitklappen



De poten kunnen handmatig worden in- en uitgeklaapt met behulp van twee pedalen (**A** en **B**) of met de hendel **C**.

1. Druk met een voet op het rechter pedaal **B** om de poten uit te klappen.
2. Druk met een voet op het linker pedaal **A** om de poten in te klappen.

Met de hendel:

1. Trek de hendel **C** naar rechts om de poten uit te klappen.
2. Duw de hendel **C** naar links om de poten in te klappen.

## 5.5 De arm afstellen op de lengte van de patiënt



### LET OP!

#### Risico op letsel of beschadiging

Een arm die in de verkeerde stand staat, kan bij activatie plotseling naar binnen of buiten schuiven.

- Stel de arm altijd af zonder last en terwijl deze horizontaal staat.

Het belangrijkste criterium voor een juiste instelling is de lengte van de patiënt, maar ook andere factoren spelen hierbij een rol, zoals de lengte van de draagbandlussen, de toestand van de patiënt en de voorkeuren van de patiënt.

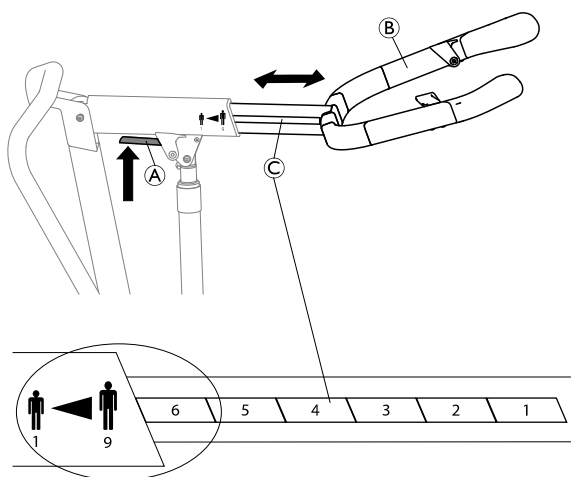
De volgende richtlijnen zijn gebaseerd op gemiddelden en afwijkingen zijn mogelijk:

- Positie 1 (volledig ingekort): patiënten met een lengte van circa 140 cm of langer.
- Positie 5: patiënten met een lengte van circa 170 cm of langer.
- Positie 9 (volledig uitgeschoven): patiënten met een lengte tot circa 200 cm.



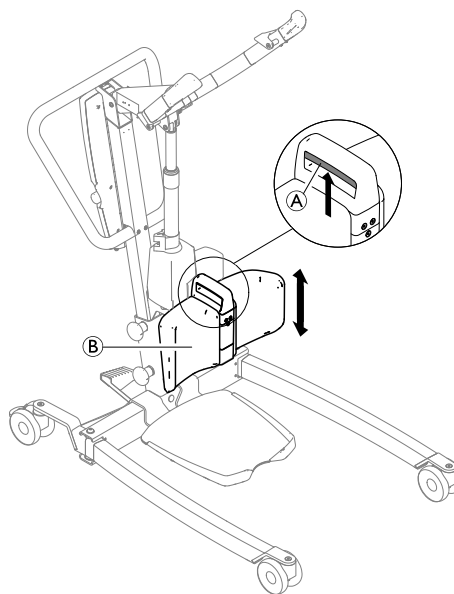
### BELANGRIJK

Het is dringend aan te raden om aanpassingen bij elke patiënt eerst te testen om te bepalen of alles juist en veilig is afgesteld.



1. Duw de rode hendel **A** op de hefboom omhoog en houd hem daar vast.
2. Om de lengte van de arm **B** af te stellen op een van de negen mogelijke standen die op de liniaal **C** worden aangegeven, zet u de aanduiding van de gewenste positie tot voor de rand van de hefboom.
3. Laat de hendel **A** los en beweeg de arm **B** iets heen en weer totdat u een klik hoort die aangeeft dat deze in positie is vergrendeld.

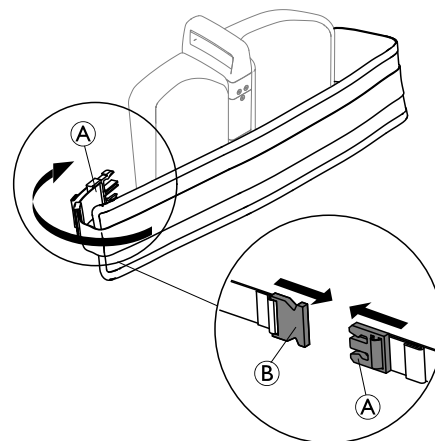
## 5.6 De hoogte van de beensteun aanpassen



1. Duw hendel **A** op beensteun **B** omhoog en houd hem daar vast.
2. Schuif beensteun **B** omhoog of omlaag.
3. Laat op de gewenste hoogte hendel **A** los en beweeg beensteun **B** iets omhoog of omlaag tot u een klik hoort die aangeeft dat beensteun **B** is vergrendeld in een van de zes hoogtestanden.

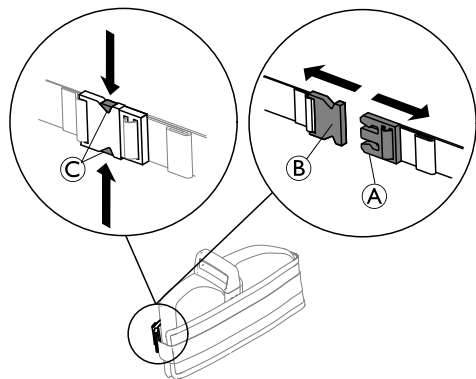
## 5.7 De beenband gebruiken

1.



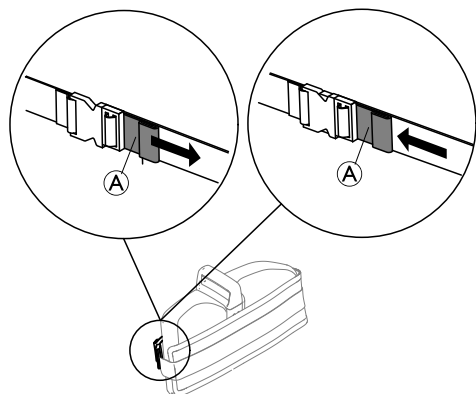
Breng de beenband aan door het lange gevoerde gedeelte om de beensteun en de onderbenen van de patiënt heen te leggen en vergrendeling **A** in gesp **B** achter op de beensteun te drukken.

2.




Druk op lipje © en trek vergrendeling ① uit gesp ② om de sluiting te openen.

3.

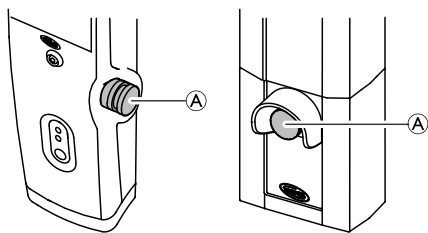


U kunt de beenband korter maken door aan schuifje ① te trekken en langer maken door schuifje ① naar de gesp toe te drukken.

 Zonder patiënt in de lift maakt u de beenband vast door deze om de beensteun heen te leggen, te sluiten en korter aan te trekken.

## 5.8 Functies voor noodgevallen

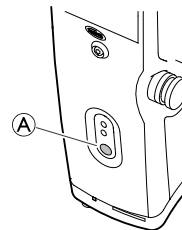
### 5.8.1 Een noodstop uitvoeren



1. Druk op de rode noodstopknop ① van de bedieningseenheid om te voorkomen dat de hefboom en de patiënt omhoog of omlaag gaan.
2. U kunt de noodstopknop weer resetten door deze rechtsom te draaien.

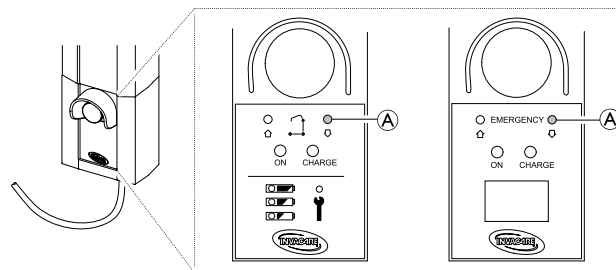
### 5.8.2 De verlagingsfunctie activeren in een noodgeval (CBJ Home-bedieningseenheid)

Als de handbediening niet werkt, kan de hefboom omlaag worden gebracht met behulp van de ronde noodstopschakelaar.



1. Laat de hefboom zakken door knop ① aan de voorzijde van de bedieningseenheid ingedrukt te houden.
2. Laat de knop los om de hefboom stil te zetten.

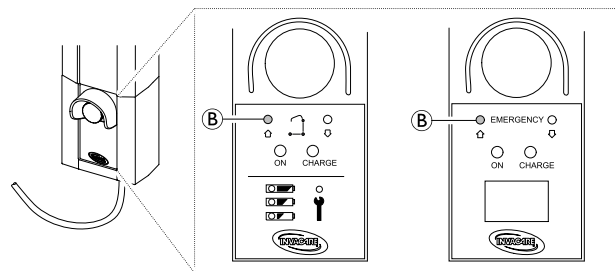
### 5.8.3 De verlagingsfunctie activeren in een noodgeval (bedieningseenheid van CBJ Care, CBJ1 en CBJ2)



Als de handbediening niet werkt, kan de hefboom omlaag worden gebracht met behulp van de ronde noodstopschakelaar. Gebruik een scherp object, bijvoorbeeld een potlood, om de knop in te drukken.

1. Laat de hefboom zakken door knop ① aan de voorzijde van de bedieningseenheid ingedrukt te houden.
2. Laat de knop los om de hefboom stil te zetten.

### 5.8.4 De optilfunctie activeren in een noodgeval (bedieningseenheid van CBJ Care en CBJ1)



Als de handbediening niet werkt, kan de hefboom omhoog worden gebracht met behulp van de ronde noodstopschakelaar voor optillen. Gebruik een scherp object, bijvoorbeeld een potlood, om de knop in te drukken.

1. Breng de hefboom omhoog door de knop ② aan de voorzijde van de bedieningseenheid ingedrukt te houden.
2. Laat de knop los om de hefboom stil te zetten.

### 5.8.5 Het verlagingsmechanisme activeren in een noodgeval

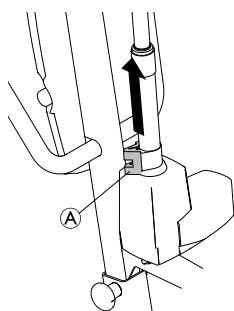
Als de noodverlaging op de bedieningseenheid niet werkt, is een mechanische noodverlaging beschikbaar als reserve. Dit kan gebeuren bij een volledige of gedeeltelijke stroomstoring of als de accu tijdens gebruik leeg raakt.

**WAARSCHUWING!****Risico op letsel of beschadiging**

Als de mechanische noodverlaging herhaaldelijk wordt gebruikt, neemt de verlagingssnelheid snel toe.

- Gebruik de mechanische noodverlaging alleen als reserve, wanneer de noodverlaging op de bedieningseenheid niet werkt.
- Gebruik de mechanische noodverlaging niet meerdere keren snel achter elkaar.
- Laat de patiënt altijd op een dragend oppervlak zakken, zoals een bed of stoel.
- Na gedwongen gebruik van de mechanische noodverlaging moet de patiëntenlift worden gecontroleerd om de storing van de bedieningseenheid te verhelpen.

1. Zoek de rode noodhandgreep **A** onder aan de zuiger van de actuator.
2. Trek de rode noodhandgreep **A** langzaam omhoog. Stop met trekken en houd de greep op zijn plek wanneer een veilige verlagingssnelheid is bereikt.
3. Als er niets gebeurt terwijl de noodhandgreep **A** helemaal omhoog is getrokken, druk dan tegelijkertijd de hefboom naar beneden.



De effectieve verlagingssnelheid is afhankelijk van het gewicht van de patiënt. Als de snelheid te laag of te hoog is, kan deze worden aangepast aan het gewicht van de patiënt. De verlagingssnelheid aanpassen:

1. Zoek de schroef in de opening aan de onderkant van de rode noodhandgreep **A**.
2. Draai de schroef naar links om de snelheid te verhogen.
3. Draai de schroef naar rechts om de snelheid te verlagen.

## 5.9 De accu opladen

**BELANGRIJK!**

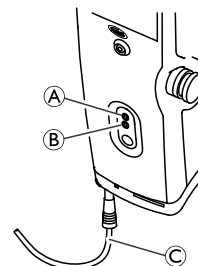
- De noodstop mag niet zijn geactiveerd wanneer de accu wordt opgeladen.
- De accu moet worden opgeladen in een goed geventileerde ruimte.
- De elektrische functies werken niet wanneer de lift is aangesloten op de netvoeding.
- Gebruik de lift niet als de behuizing van de accu beschadigd is.
- Vervang een beschadigde accubehuizing voordat u de lift gaat gebruiken.
- De lift mag niet worden verplaatst als het netsnoer nog in het stopcontact zit.

De accu kan het beste dagelijks worden opgeladen. De lift kan dan optimaal worden gebruikt en de accu gaat langer

mee. Daarnaast wordt aanbevolen om de accu op te laden voorafgaand aan het eerste gebruik.

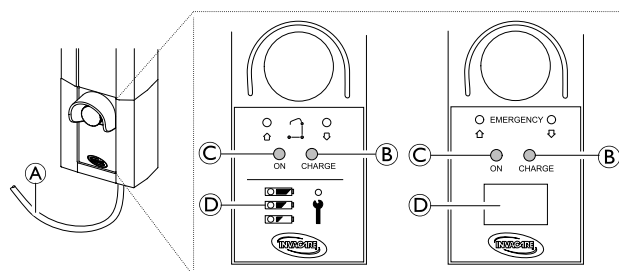
### 5.9.1 CBJ Home-bedieningseenheid

De bedieningseenheid is voorzien van een geluidssignaal. Er klinkt een pieptoon als de accu bijna leeg is. Het is dan nog wel mogelijk om de patiënt te laten zakken. Het wordt aangeraden de accu op te laden zodra het geluidssignaal klinkt.



1. Steek de stekker van het netsnoer **C** in het stopcontact.
  - i** De accu laadt op in ongeveer 4 uur. Het laden stopt automatisch als de accu volledig is opgeladen.
  - De bovenste gele diode **A** knippert tijdens het opladen en brandt continu als de accu volledig is opgeladen.
  - De onderste groene diode **B** blijft branden zo lang de bedieningseenheid is aangesloten op het stopcontact, en licht op als er een knop op de handbediening wordt ingedrukt of als de functie voor elektrisch zakken in noodgevallen wordt geactiveerd.
2. Haal de stekker uit het stopcontact als de accu volledig is opgeladen.


### 5.9.2 CBJ Care-, CBJ1-, CBJ2-bedieningseenheid















De bedieningseenheid is voorzien van een geluidssignaal. Er klinkt een pieptoon als de accu bijna leeg is. Het is dan nog wel mogelijk om de patiënt te laten zakken. Het wordt aangeraden de accu op te laden zodra het geluidssignaal klinkt.

1. Steek de stekker van het netsnoer **A** in het stopcontact.
  - i** De accu laadt op in ongeveer 4 uur. Het laden stopt automatisch als de accu volledig is opgeladen.
  - De gele diode **B** (rechts) brandt continu tijdens het opladen en gaat uit als de accu volledig is opgeladen.
  - De groene diode **C** (links) brandt continu als de bedieningseenheid is aangesloten op het elektriciteitsnet.
2. Haal de stekker van het netsnoer **A** uit het stopcontact als de accu volledig is opgeladen.

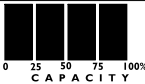

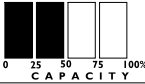
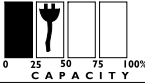
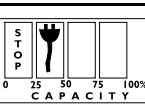
## Acculampje

De bedieningseenheid kan zijn uitgerust met een acculampje , dat de resterende capaciteit van de accu aangeeft.

### CBJ Care

Type acculampje	Accustatus	Omschrijving
  	Volledig opgeladen	Er is voldoende spanning - opladen is niet nodig (50-100%). Het bovenste ledlampje is GROEN.
  	Gedeeltelijk opgeladen	De accu moet worden opgeladen (25-50%). Het middelste ledlampje is GEEL.
  	Nog niet opgeladen	De accu moet worden opgeladen (minder dan 25%). Er klinkt een akoestisch signaal als er een knop wordt ingedrukt. Het onderste ledlampje is GEEL.
  	Nog niet opgeladen (led knippert)	De accu moet worden opgeladen. De lift werkt niet meer optimaal en de hefboom kan alleen nog omlaag worden gebracht.

### CBJ1 en CBJ2 met lcd

Type acculampje	Accustatus	Omschrijving
	Volledig opgeladen (100%)	Er is voldoende spanning - opladen is niet nodig (100%).
	Gedeeltelijk opgeladen (75%)	Er is voldoende spanning - opladen is niet nodig (75%).
	Gedeeltelijk opgeladen (50%)	De accu moet worden opgeladen (50%).
	Nog niet opgeladen (25%)	De accu moet worden opgeladen (25%). Er klinkt een akoestisch signaal als er een knop wordt ingedrukt.
	Nog niet opgeladen (0%)	De accu moet worden opgeladen. De lift werkt niet meer optimaal en de hefboom kan alleen nog omlaag worden gebracht.


## Optionele handbediening

Voor de CBJ Care is een handbediening met acculampje als optie verkrijgbaar.

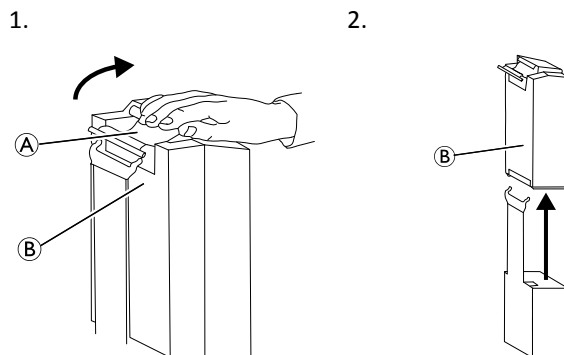
Type acculampje	Accustatus	Omschrijving
	Volledig opgeladen	De accu heeft voldoende spanning - opladen is niet nodig (100-50%). Het ledlampje rechts is GROEN.
	Gedeeltelijk opgeladen	De accu moet worden opgeladen (50-25%). Het middelste ledlampje is GEEL.
	Nog niet opgeladen	De accu moet worden opgeladen (minder dan 25%). Er klinkt een akoestisch signaal als er een knop wordt ingedrukt. Het ledlampje links is GEEL.
	Nog niet opgeladen (led knippert)	De accu moet worden opgeladen. De lift werkt niet meer optimaal en de hefboom kan alleen nog omlaag worden gebracht.

### 5.9.3 Optionele acculader

(alleen voor bedieningseenheden met afneembare accu)

-  De procedure voor het verwijderen en installeren van de accu is hetzelfde voor de bedieningseenheid en de lader.

#### De accu verwijderen



- Houd de accu vast aan het handvat **A** achter op de accu **B**.
- Til de accu omhoog uit de bedieningseenheid of de lader.

#### De accu plaatsen

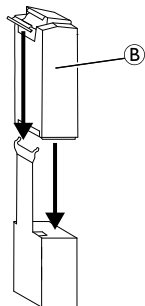


#### LET OP!

Een onjuiste plaatsing van de accu kan leiden tot letsel of schade.  
– U dient een klik te horen bij het plaatsen van de accu in de bedieningseenheid of de acculader. Dit duidt op een correcte plaatsing.



1. Plaats de accu ② op de bedieningseenheid of de lader zoals weergegeven, en verzeker u ervan dat u een klik hoort.



**i** Wanneer de accu op de lader is geplaatst, gaat het oplaadlampje branden. Wanneer de accu is opgeladen, gaat het oplaadlampje uit.

Het duurt ongeveer vier uur om een lege accu volledig op te laden.

## 6 Verplaatsen van een patiënt

### 6.1 Algemene veiligheidsinformatie



#### **WAARSCHUWING!**

##### **Risico op letsel of beschadiging**

Verkeerd gebruik van dit product kan leiden tot schade of lichamelijk letsel.

- Controleer voordat u een patiënt verplaatst naar een stilstaand object (rolstoel, bed, toiletstoel of een ander oppervlak) of dit object voldoende draagvermogen heeft voor het gewicht van de patiënt.
- Indien van toepassing moeten de remmen van het stilstaande object (rolstoel, bed enzovoort) zijn geactiveerd voordat u de patiënt op het stilstaande object laat zakken of optilt van het stilstaande object.
- Wanneer u de lift samen met een bed of rolstoel gebruikt, moet u letten op de positie van de lift ten opzichte van de andere uitrustingen, zodat de toegang tot de lift niet geblokkeerd raakt.
- Zorg dat er geen obstakels zijn wanneer u de poten van de patiëntenlift onder een bed plaatst.



#### **WAARSCHUWING!**

##### **Risico op letsel of beschadiging**

Verkeerd gebruik van dit product kan leiden tot schade of lichamelijk letsel.

- Gebruik altijd de duwstangen op de mast om de lift te duwen of te trekken.
- Gebruik de lift niet op een helling. Invacare adviseert het product alleen op een vlakke ondergrond te gebruiken.
- Tijdens het verplaatsen, wanneer de patiënt in de draagband van de lift hangt, mag u de lift niet over ongelijke oppervlakken rollen. De lift zou hierbij kunnen kantelen.
- Voor een optimale stabiliteit en veiligheid laat u de poten maximaal uitgeklapt staan tijdens het verplaatsen, wanneer de patiënt in de draagband hangt. Mocht het nodig zijn een nauwe doorgang te passeren, klap de poten dan alleen zo ver in als noodzakelijk is en klap ze daarna zo snel mogelijk weer maximaal uit.



#### **WAARSCHUWING!**

##### **Risico op letsel of beschadiging**

Schade aan onderdelen van de lift (handbediening, zwenkwielen, enzovoort) die is veroorzaakt door het raken van de vloer, muren of andere stilstaande objecten, kan schade aan het product en letsel veroorzaken.

- Zorg dat onderdelen van de lift geen vloeren, muren of andere stilstaande objecten raken.
- Berg de handbediening altijd netjes op wanneer deze niet wordt gebruikt.



#### **WAARSCHUWING!**

##### **Risico op lichamelijk letsel**

- Voorkom letsel bij de patiënt en/of begeleider
- Houd de positie van de arm en de patiënt altijd goed in de gaten.
  - Zorg dat u altijd weet waar de voetplaat zich bevindt en let met name op de positie van de patiënt op de voetplaat.
  - Zorg ervoor dat, voordat u de poten van de lift rond de patiënt plaatst, de voeten van de patiënt niet in de weg staan van de voetplaat.
  - Zorg er vóór een verplaatsing altijd voor dat de voetplaat en de voeten van de patiënt droog zijn.



#### **WAARSCHUWING!**

##### **Beknellings- of verstikkingsgevaar**

- Als het snoer van de handbediening niet goed geplaatst of bevestigd is, kan dit leiden tot lichamelijk letsel.
- Let altijd op de locatie van het snoer van de handbediening ten opzichte van de patiënt en de zorgverleners.
  - Zorg dat de patiënt en zorgverleners niet verstrikt raken in het snoer van de handbediening.
  - De handbediening moet op de juiste manier worden bevestigd. Berg de handbediening **ALTIJD** op wanneer deze niet wordt gebruikt.



#### **WAARSCHUWING!**

##### **Beknellings- of verstikkingsgevaar**

- Spullen in de omgeving van de patiënt kunnen tijdens het optillen beknelling of verstikking veroorzaken. Om beknelling of verstikking te voorkomen:
- Controleer vóór het tillen of de patiënt niet ergens aan vastzit.



#### **WAARSCHUWING!**

##### **Beknellingsgevaar**

- Het risico bestaat dat u bekneld raakt tussen de haken en de draagband.
- Wees voorzichtig bij het tillen.
  - Plaats bij het tillen nooit handen of vingers op of in de buurt van de haken.
  - Zorg er voordat u gaat tillen voor dat de handen en vingers van de patiënt zich niet in de buurt van de haken bevinden.



#### **WAARSCHUWING!**

##### **Risico op lichamelijk letsel**

- De patiënt en/of begeleider kan letsel worden toegebracht:
- Als de arm en/of de beensteun niet juist is afgesteld op de lengte van de patiënt.
  - Als het stelmechanisme van de arm niet is vergrendeld, of als dit is beschadigd of versleten delen bevat.

**! BELANGRIJK!**

Alle verplaatsingsprocedures die hieronder worden beschreven, kunnen worden uitgevoerd door één (1) assistent. Invacare raadt echter aan de procedures indien mogelijk met twee (2) assistenten uit te voeren.



Til de patiënt nooit hoger op dan noodzakelijk. Een lager zwaartepunt zorgt voor meer stabiliteit, waardoor de patiënt zich veiliger voelt en de lift makkelijker kan worden verplaatst.

## 6.2 De draagband aan de lift bevestigen

**WAARSCHUWING!****Risico op lichamelijk letsel**

Het gebruik van verkeerde of beschadigde draagbanden kan ertoe leiden dat de patiënt valt of de assistenten gewond raken.

- Gebruik een door Invacare goedgekeurde draagband die wordt aanbevolen door de arts, verpleegkundige of arts-assistent van de betrokkene om comfort en veiligheid te kunnen waarborgen voor de patiënt die moet worden verplaatst.
- Invacare-draagbanden en -accessoires voor patiëntenliften zijn specifiek ontworpen voor gebruik in combinatie met Invacare-patiëntenliften.
- Inspecteer de draagband(en) op slijtage, scheuren en losse naden na elke reinigingsbeurt (volgens de instructies op de draagband).
- Verbleekte, gescheurde, gerafelde en beschadigde draagbanden zijn onveilig en kunnen leiden tot letsel. Verwijder deze direct.
- Pas draagbanden NIET aan.

**WAARSCHUWING!****Risico op lichamelijk letsel**

Het gebruik van onjuist bevestigde of aangepaste draagbanden kan ertoe leiden dat de patiënt valt of de assistenten gewond raken.

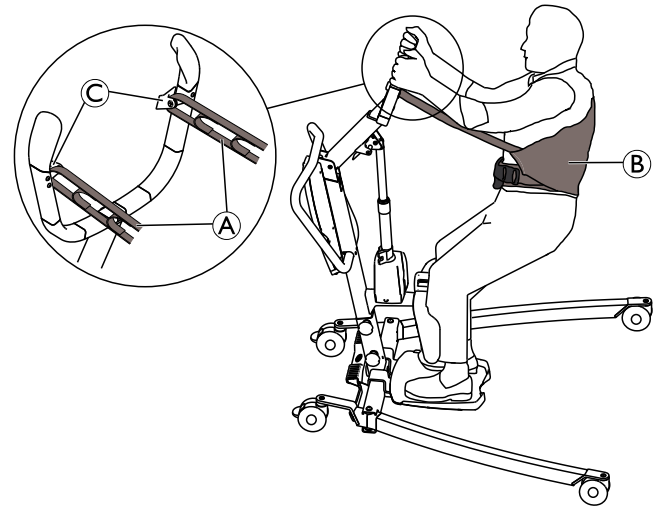
- Controleer de bevestigingspunten van de draagband telkens wanneer u deze verwijdert of verplaatst om ervoor te zorgen dat de band goed vastzit voordat u een patiënt uit een stilstaand object verwijdert (bed, stoel of toiletstoel).
- Gebruik GEEN enkel type kunststof incontinentieluier of zitkussen tussen de patiënt en het materiaal van de draagband waardoor de patiënt tijdens het verplaatsen uit de draagband zou kunnen glijden.
- Plaats de patiënt in de draagband volgens de instructies die bij de draagband zijn geleverd.
- Zorg ervoor dat u alle aanpassingen voor de veiligheid en het comfort voor de patiënt hebt ingesteld voordat u de patiënt gaat verplaatsen.

De lussen aan de draagband kunnen banden met verschillende kleuren bevatten die verschillende lengtes aangeven. Hiervan kan gebruik worden gemaakt om de patiënt in verschillende posities te plaatsen. Zorg dat aan beide zijden van de draagband dezelfde kleur wordt gebruikt, zodat de patiënt bij het omhoog tillen niet scheef hangt.

## Invacare® Stand Assist-draagband

**WAARSCHUWING!****Risico op lichamelijk letsel**

- Bij het gebruik van een Stand Assist-draagband moet de patiënt in staat zijn om zijn/haar eigen gewicht grotendeels te ondersteunen.
- Zorg ervoor dat de onderste rand van de Stand Assist-draagband tegen de onderrug van de patiënt is geplaatst en dat de armen van de patiënt zich buiten de draagband bevinden.
- De draagband moet goed aansluiten om te voorkomen dat de patiënt eruit glijdt.

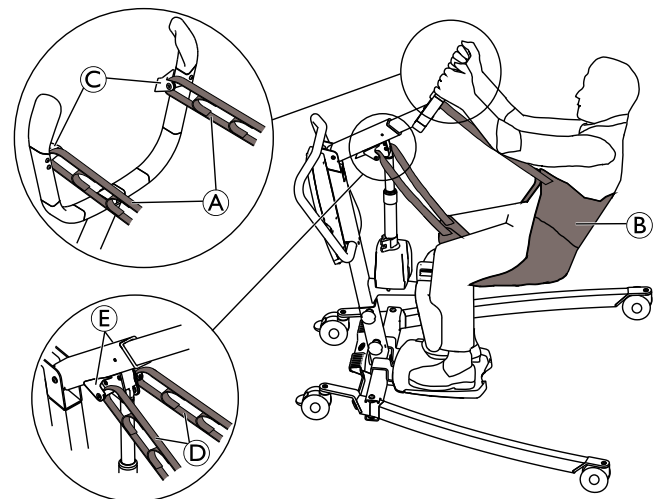


1. Plaats de lussen A van draagband B over de haken C op de arm.

## Invacare® Transfer Stand Assist-draagband

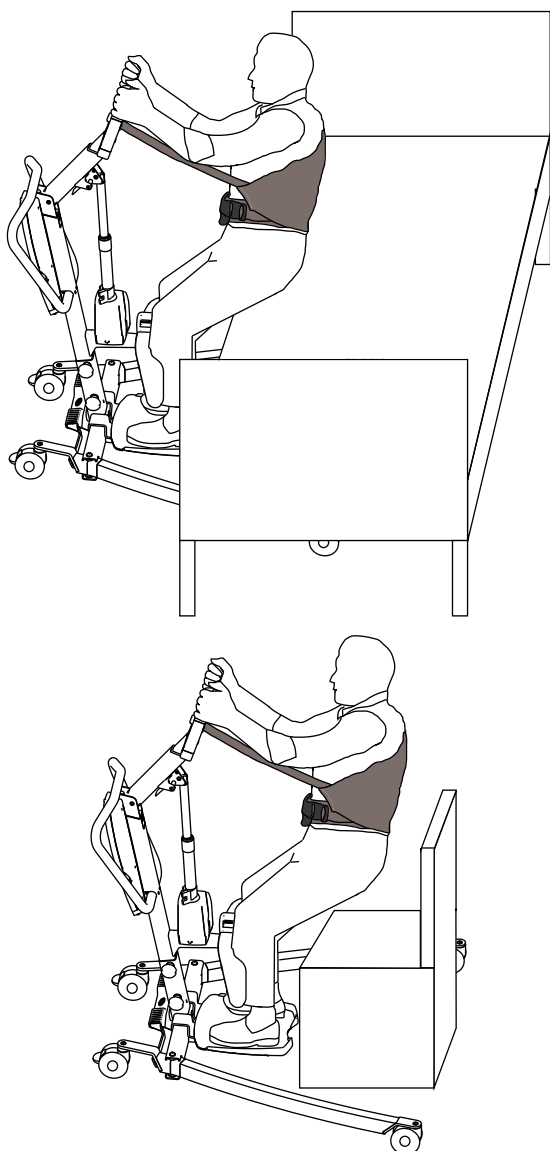
**WAARSCHUWING!****Risico op lichamelijk letsel**

- Zorg ervoor dat de onderste rand van de Transfer Stand Assist-draagband tegen de onderrug van de patiënt is geplaatst en dat de armen van de patiënt zich buiten de draagband bevinden.
- Til de patiënt niet helemaal tot in rechtopstaande positie op met de Transfer Stand Assist-draagband.



1. Plaats de bovenste lussen ① van draagband ② over de haken ③ op de arm.
2. Plaats de onderste lussen ④ van draagband ② over de haken ⑤ op de hefboom.

### 6.3 Een patiënt verplaatsen




#### Optillen vanuit een zitplaats

1. Voordat u verdergaat, moet u de informatie en alle waarschuwingen in 2 *Veiligheid, pagina 163* en 6 *Verplaatsen van een patiënt, pagina 178* doornemen en in acht nemen.
2. Indien van toepassing moet u ervoor zorgen dat de remmen van het stilstaande object (zoals een bed of rolstoel) zijn geactiveerd.
3. Positioneer de draagband om de patiënt. Raadpleeg de gebruikershandleiding bij uw draagband.
4. Stel de arm indien nodig af op de lengte van de patiënt. Zie 5 *Gebruik, pagina 172*
5. Ontgrendel de achterste zwenkwielen van de lift. Zie 5 *Gebruik, pagina 172*
6. Klap de poten van de lift maximaal uit. Zie 5 *Gebruik, pagina 172*
7. Gebruik de duwstang om de lift in positie te brengen.
  - Bij het verplaatsen van een patiënt vanuit bed worden de poten van de lift onder het bed geplaatst
  - Bij het verplaatsen van een patiënt vanuit bijvoorbeeld een rolstoel, toiletstoel of gewone stoel worden de poten van de lift aan twee kanten van dit stilstaande object geplaatst.
8. Instrueer de patiënt om de voeten op de voetplaat te zetten en de onderbenen tegen de beensteun te plaatsen. Controleer of de voeten van de patiënt goed op de voetplaat zijn geplaatst en help eventueel om ze in de juiste positie te krijgen.
9. Zorg ervoor dat de bovenste rand van het beenkussen met ongeveer twee vingers tussenruimte onder de knieschijven van de patiënt is geplaatst. Pas zo nodig de hoogte van de beensteun aan. Zie 5 *Gebruik, pagina 172*
10. Breng indien van toepassing de beenband aan om de onderbenen van de patiënt. Zie 5 *Gebruik, pagina 172*
11. Breng de patiëntenlift omlaag om de draagband gemakkelijk te kunnen bevestigen. Zie 5 *Gebruik, pagina 172*
12. Vergrendel de achterste zwenkwielen van de lift. Zie 5 *Gebruik, pagina 172*
13. Bevestig de draagband. Zie 6.2 *De draagband aan de lift bevestigen, pagina 179*
14. Ontgrendel de achterste zwenkwielen van de lift. Zie 5 *Gebruik, pagina 172*
15. Instrueer de patiënt om de handgrepen aan beide kanten van de arm vast te pakken.
16. Instrueer de patiënt om achterover te leunen in de draagband.
17. Druk op Pijl omhoog-knop op de handbediening om de patiënt boven het stilstaande object te tillen. Zie 5 *Gebruik, pagina 172*
18. Controleer voor het verplaatsen van de patiënt opnieuw of de draagband naar behoren is bevestigd aan de haken van de arm. Als u merkt dat bevestigingspunten niet goed vastzitten, laat u de patiënt weer op het stilstaande object zakken en verhelpt u het probleem.
19. Verplaats de lift met behulp van de duwstang uit de buurt van het stilstaande object.

#### Omlaag laten zakken op een zitplaats

1. Voordat u verdergaat, moet u de informatie en alle waarschuwingen in 2 *Veiligheid, pagina 163* en 6 *Verplaatsen van een patiënt, pagina 178* doornemen en in acht nemen.
2. Zorg ervoor dat de patiënt voldoende hoog is opgetild om nog ruimte over te houden boven de beoogde zitplaats. Til zo nodig de patiënt verder omhoog en/of breng het stilstaande object omlaag.
3. Indien van toepassing moet u ervoor zorgen dat de remmen van het stilstaande object (zoals een bed of rolstoel) zijn geactiveerd.
4. Plaats de patiënt zo ver mogelijk boven de zitplaats.
  - Bij het verplaatsen van een patiënt naar een bed worden de poten van de lift onder het bed geplaatst
  - Bij het verplaatsen van een patiënt naar bijvoorbeeld een rolstoel, toiletstoel of gewone stoel worden de poten van de lift aan twee kanten van dit stilstaande object geplaatst.
5. Druk op de knop met pijl omlaag en laat de patiënt zakken tot op de zitplaats. Zie 5 *Gebruik, pagina 172*
6. Vergrendel de achterste zwenkwielen van de lift. Zie 5 *Gebruik, pagina 172*

7. Ontkoppel de draagband van alle bevestigingspunten op de actieve tillift.
8. Verwijder indien van toepassing de om de onderbenen van de patiënt aangebrachte beenband. Zie *5 Gebruik, pagina 172*
9. Instrueer de patiënt om zijn of haar voeten van de voetplaat te halen. Help de patiënt hierbij, indien nodig.
10. Ontgrendel de achterste zwenkwielen van de lift. Zie *5 Gebruik, pagina 172*
11. Beweeg de lift weg van het stilstaande object.
12. Verwijder de draagband rond de patiënt.
  -  De Invacare® Stand Assist-draagband kan eventueel om de patiënt blijven zitten terwijl hij of zij gebruikmaakt van de toiletstoel. U hoeft de draagband dan niet opnieuw om de patiënt aan te brengen om hem of haar van de toiletstoel omhoog te tillen.

---

## 7 Transport en opslag

---

### 7.1 Algemene informatie

De noodstopknop moet worden ingedrukt tijdens transport en wanneer de patiëntenlift enige tijd niet wordt gebruikt.

Een gedemonteerde lift kan worden getransporteerd of bewaard in de verpakkingendoos.

De patiëntenlift moet bij kamertemperatuur worden opgeslagen. In een vochtige, koude of natte omgeving kunnen de motor en andere montageonderdelen gaan roesten. Zie *11.4 Voorwaarden voor de gebruiksomgeving, pagina 190*

### 7.2 De lift demonteren

1. Verwijder de hendel voor het uitklappen van de poten, indien deze is bevestigd.
2. Breng de hefboom omlaag en klap de poten volledig in.
3. Activeer de noodstopknop en zet de remmen op de zwenkwielen.
4. Stel de arm op de kortst mogelijke stand af. Zie *5.5 De arm afstellen op de lengte van de patiënt, pagina 173*
5. Voer de procedure die wordt beschreven in *4.6 De beensteun installeren, pagina 170* in omgekeerde volgorde uit.
6. Voer de procedure die wordt beschreven in *4.3 De mast op het onderstel installeren, pagina 169* in omgekeerde volgorde uit.
7. Voer de procedure die wordt beschreven in *4.4 De voetplaat installeren, pagina 170* in omgekeerde volgorde uit.

## 8 Onderhoud

### 8.1 Algemene informatie over onderhoud



#### LET OP!

##### Risico op letsel of beschadiging

- Voer geen onderhouds- of reparatieprocedures uit terwijl het product in gebruik is.

Volg de onderhoudsprocedures die worden beschreven in deze handleiding voor een maximale productiviteit en levensduur van uw product.

In de servicehandleiding worden verdere procedures voor onderhoud en inspectie beschreven, die door een gekwalificeerde monteur moeten worden uitgevoerd. Servicehandleidingen zijn verkrijgbaar via Invacare.

### 8.2 Dagelijkse controles



#### WAARSCHUWING!

##### Risico op letsel of beschadiging

- Beschadigde en versleten onderdelen kunnen de veiligheid van de lift aantasten.
- De patiëntenlift dient bij elk gebruik te worden gecontroleerd.
  - Gebruik de lift niet als deze beschadigd is of als u vermoedt dat bepaalde onderdelen van de lift onveilig zijn. Neem onmiddellijk contact op met uw Invacare-leverancier en zorg ervoor dat de lift niet wordt gebruikt totdat deze is gerepareerd.

#### Lijst dagelijkse controle

- Voer een visuele controle uit op de patiëntenlift. Controleer alle onderdelen op externe schade of slijtage.
- Controleer alle materialen, bevestigingspunten en onderdelen die onder spanning komen te staan, zoals de draagbanden, haken en alle draaipunten, op slijtage, breuken, rafeling, vervorming en verslechtering.
- Controleer of de handbediening werkt (tillen en pootbewegingen).
- Laad de accu elke dag dat de lift wordt gebruikt.
- Controleer de noodstopfunctie.
- Controleer het servicelampje (alleen de CBJ Care-bedieningseenheid).



Het servicelampje wordt aangegeven met een dopsleutelsymbool op de bedieningseenheid en op de handbediening, indien van toepassing.

- Als het servicelampje geel knippert, is er onderhoud aan de lift vereist. Gebruik de lift niet en neem contact op met uw Invacare-leverancier voor onderhoud.
- Als het servicelampje niet knippert, is de lift klaar voor gebruik.

## 8.3 Reiniging en desinfectie

### 8.3.1 Algemene veiligheidsinformatie



#### LET OP!

##### Besmettingsgevaar

- Tref voorzorgsmaatregelen voor uw eigen veiligheid en gebruik de juiste beschermingsuitrusting.



#### LET OP!

##### Risico op elektrische schokken en beschadiging van het product

- Schakel het apparaat uit en haal indien van toepassing de stekker uit het stopcontact.
- Houd bij het reinigen van elektrische onderdelen rekening met de betreffende beschermingsgraad tegen het binnendringen van water.
- Zorg dat er geen water op de stekker of het stopcontact spat.
- Raak de contactdoos niet aan als u natte handen hebt.



#### BELANGRIJK!

Het gebruik van de verkeerde vloeistoffen of methoden kan het product aantasten of beschadigen.

- Alle gebruikte reinigingsmiddelen en desinfecteringsmiddelen moeten effectief zijn, met elkaar gecombineerd kunnen worden en de te reinigen materialen beschermen.
- Gebruik nooit bijtende vloeistoffen (zuren, basen enzovoort) of schurende reinigingsmiddelen. We raden u aan een gewoon huishoudelijk reinigingsmiddel zoals vaatwasmiddel te gebruiken, indien in de reinigingsinstructies geen ander middel wordt voorgeschreven.
- Gebruik nooit een oplosmiddel (thinner, aceton en dergelijke) waardoor de structuur van de kunststof kan veranderen of labels kunnen loslaten.
- Zorg er altijd voor dat het product volledig droog is voordat dit weer in gebruik wordt genomen.



Volg voor reiniging en desinfectie in klinische omgevingen of omgevingen voor langdurige zorg de intern ingestelde procedures.

### 8.3.2 Reinigingsintervallen



#### BELANGRIJK!

Regelmatig reinigen en desinfecteren zorgt voor een soepele werking, verhoogt de levensduur en voorkomt besmetting.

Reinig en desinfecteer dit product

- regelmatig als het wordt gebruikt;
- voor en na onderhoudswerkzaamheden;
- als het in contact is gekomen met lichaamsvocht;
- voordat een nieuwe gebruiker er gebruik van maakt.

### 8.3.3 Reinigingsinstructies



#### **BELANGRIJK!**

- Het product mag niet worden gereinigd in geautomatiseerde wasinrichtingen, met hogedrukreinigingsapparatuur of met stoom.

#### **De lift reinigen**

Methode: Afnemen met een natte doek of zachte borstel.

Max. temperatuur: 40 °C

Oplosmiddel/chemische middelen: een normaal huishoudelijk reinigingsmiddel en water.

Drogen: afdrogen met een zachte doek.

#### **De draagband reinigen**

Raadpleeg de wasinstructies op de draagband en de handleiding bij de draagband voor informatie over het reinigen.

### 8.3.4 Instructies voor desinfecteren



Informatie over aanbevolen desinfectiemiddelen en -methoden is te vinden op <https://vah-online.de/en/for-users>.

### Verzorging thuis

Methode: Volg de opmerkingen over het aanbrengen van het gebruikte desinfectiemiddel op en neem alle toegankelijke oppervlakken af.

Desinfectiemiddel: een standaard desinfectiemiddel voor huishoudelijk gebruik.

Drogen: laat het product aan de lucht drogen.

### ziekenhuis en instelling voor langdurige zorg

Volg de desinfectieprocedures van uw instelling op en gebruik uitsluitend desinfectiemiddelen en -methoden die hierin worden vermeld.

## 8.4 Periodiek onderhoud



#### **WAARSCHUWING!**

#### **Risico op schade of lichamelijk letsel**

Onderhoud mag alleen worden uitgevoerd door een bevoegd technicus.

- Neem voor onderhoud contact op met Invacare.

Er moet minimaal eens per 12 maanden onderhoud worden uitgevoerd, tenzij anders vermeld in lokale vereisten.



## 9 Na gebruik

### 9.1 Afvoeren



#### **WAARSCHUWING!**

#### **Potentieel schadelijk voor het milieu**

Het apparaat bevat accu's.

Dit product bevat mogelijk stoffen die schadelijk kunnen zijn voor het milieu wanneer ze worden achtergelaten op plaatsen (stortplaatsen) die volgens de wetgeving daarvoor niet geschikt zijn.

- Gooi accu's NIET weg met normaal huishoudelijk afval.
- Accu's MOETEN naar een daarvoor bestemd afvalverwerkingsstation worden gebracht. Het inleveren van accu's is wettelijk verplicht; er zijn geen kosten aan verbonden.
- Voer alleen lege accu's af.
- Dek bij lithiumaccu's die afgevoerd moeten worden de contactpunten af.
- Meer informatie over het soort accu vindt u op het label van de accu of in het hoofdstuk 11 *Technische Specificaties, pagina 188*

Wij hopen dat u voldoende milieubewust bent om dit product na de levensduur naar een afvalverwerkingsstation te brengen.

Haal het product en de onderdelen ervan uit elkaar, zodat de verschillende materialen afzonderlijk kunnen worden gerecycled.

Gebruikte producten en verpakkingen moeten worden afgevoerd en gerecycled overeenkomstig de wet- en regelgeving voor afvalverwerking in het betreffende land. Neem contact op met uw plaatselijke afvalverwerkingsbedrijf voor meer informatie.

### 9.2 Geschikt maken voor hergebruik

Dit product is geschikt voor hergebruik. Om het product voor een nieuwe gebruiker gebruiksklaar te maken, voert u de volgende handelingen uit:

- Schoonmaken en desinfecteren
- Inspectie volgens het onderhoudsplan


Raadpleeg voor meer informatie over inspectie, reiniging en desinfectie de gebruikershandleiding en servicehandleiding bij dit product.

## 10 Problemen oplossen

### 10.1 Defecten en mogelijke oplossingen identificeren


Storingen	Defecten	Oplossing
Patiëntenlift voelt los aan	Koppeling mast/onderstel zit los	Maak de koppeling tussen de mast en het onderstel weer vast. Zie 4.3 <i>De mast op het onderstel installeren, pagina 169</i>
	Mechanisme voor handmatig uitklappen van poten zit los	Neem contact op met uw Invacare-leverancier
De zwenkwielen/remmen maken lawaai of zijn stroef	Pluisjes of verontreinigingen in de lagers	Verwijder pluisjes en verontreinigingen van de zwenkwielen
	Zwenkwielen/remmen zijn beschadigd	Neem contact op met uw Invacare-leverancier
Lawaai of droog geluid van de scharnierpunten	De scharnierpunten zijn versleten of beschadigd	Neem contact op met uw Invacare-leverancier
Elektrische actuator brengt hefboom niet omhoog of omlaag, of poten klappen niet in of uit bij drukken op de knop.	De aansluiting van de handbediening of actuator zit los	Maak de aansluiting van de handbediening of actuator vast. Controleer of de aansluitingen goed en volledig zijn geplaatst
	Accu bijna leeg	Laad de accu op. Zie 5.9 <i>De accu opladen, pagina 175</i>
	Noodstopknop is ingedrukt	Draai de noodstopknop rechtsom totdat deze omhoog komt
	Accu niet op de juiste manier aangesloten op bedieningseenheid	Sluit de accu opnieuw aan op de bedieningseenheid. Zie 5.9.3 <i>Optionele acculader, pagina 176</i>
	De aansluitpunten zijn beschadigd	Neem contact op met uw Invacare-leverancier
	Netsnoer aangesloten op een stopcontact	Koppel het netsnoer los van het stopcontact
	De hefboom- of pootactuator is beschadigd.	Neem contact op met uw Invacare-leverancier
	Max. belasting is overschreden.	Verminder de belasting (zodat de lift weer normaal functioneert).
Ongebruikelijk geluid van de actuator	De actuator is beschadigd	Neem contact op met uw Invacare-leverancier
De hefboom gaat niet omlaag bij activeren van de handmatige noodstop	De hefboom moet enigszins worden belast om te kunnen zakken vanuit het hoogste punt	Trek licht aan de hefboom
Tijdens het tillen klinkt er een pieptoon vanuit de bedieningseenheid en de motor stopt	Max. belasting is overschreden.	Verminder de belasting (zodat de lift weer normaal functioneert).
Accu laadt niet op	Het netsnoer is niet goed aangesloten op de bedieningseenheid en/of het stopcontact	Controleer of de aansluitingen goed en volledig zijn geplaatst. Zie 5.9 <i>De accu opladen, pagina 175</i>
	Netsnoer is beschadigd	Neem contact op met uw Invacare-leverancier
De arm kan niet worden versteld	De rode hendel op de hefboom wordt niet omhoog gehouden	Zie 5.5 <i>De arm afstellen op de lengte van de patiënt, pagina 173</i>
	De arm is al maximaal omhoog of omlaag gezet	Zie 5.5 <i>De arm afstellen op de lengte van de patiënt, pagina 173</i>
	Het afstelmechanisme is beschadigd	Neem contact op met uw Invacare-leverancier

Storingen	Defecten	Oplossing
	De hefboom staat in de verkeerde stand	Zet de hefboom horizontaal. Zie 5.3 <i>Een elektrische lift omhoog of omlaag brengen, pagina 172</i>
De beensteun kan niet worden geplaatst of afgesteld	De ontgrendelingshendel wordt niet omhoog gehouden	Zie 4.6 <i>De beensteun installeren, pagina 170</i>
	Het afstelmechanisme is beschadigd	Neem contact op met uw Invacare-leverancier
	De beenband vormt een blokkade op de achterkant van de beensteun	Maak de achterkant van de beensteun vrij
De mast kan niet op het onderstel worden bevestigd	De hefboom staat verkeerd gericht	Zet de hefboom in de juiste stand. Zie 4.3 <i>De mast op het onderstel installeren, pagina 169</i>
De lift rolt niet	De zwenkwielen zijn vergrendeld	Ontgrendel de zwenkwielen. Zie 5.2 <i>De achterste zwenkwielen vergrendelen/ontgrendelen, pagina 172</i>

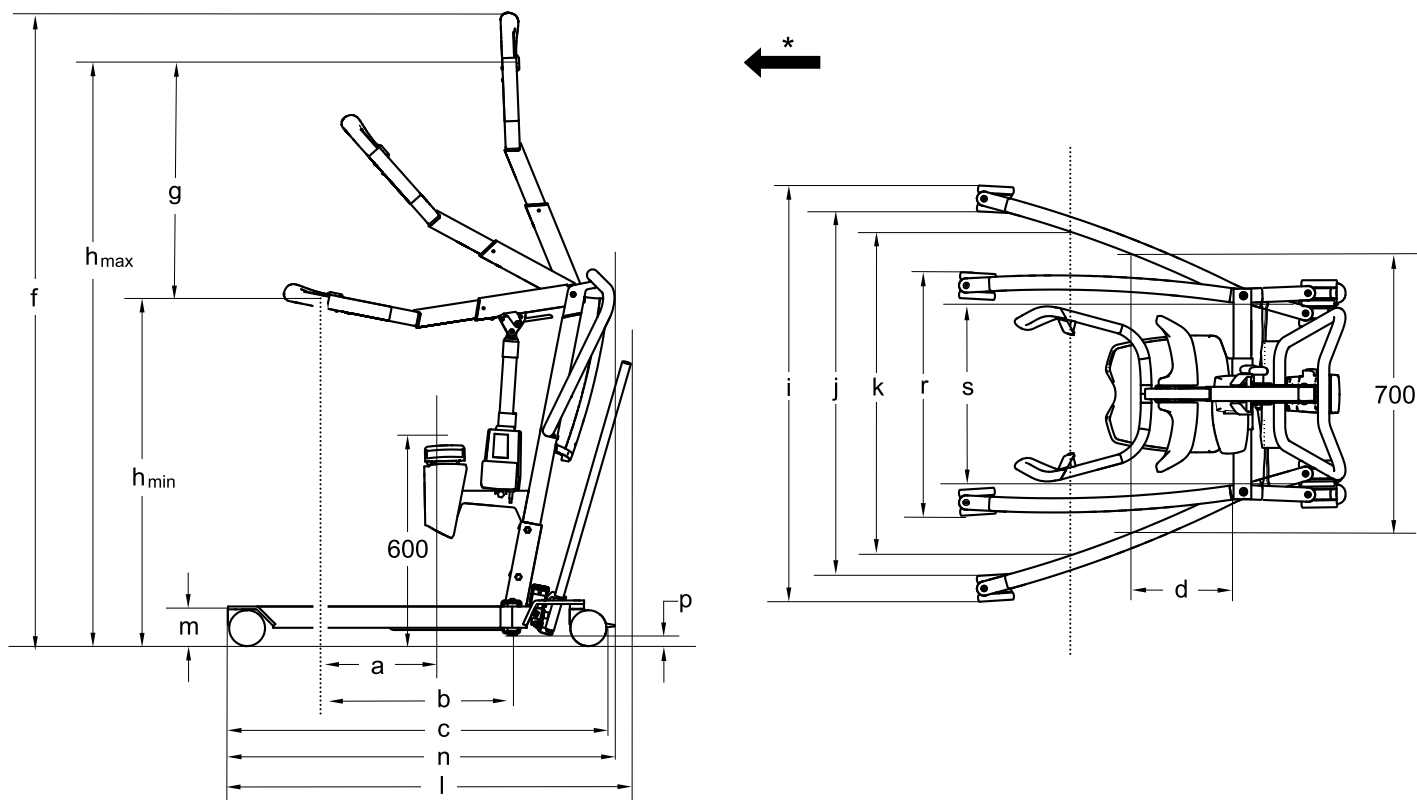
 Neem contact op met uw Invacare-leverancier als de problemen hiermee niet kunnen worden opgelost.

## 11 Technische Specificaties

### 11.1 Maximale veilige belasting

	ISA™ COMPACT	ISA™ STANDARD	ISA™ PLUS	ISA™ XPLUS
Max. veilige belasting (patiënt + draagband)	140 kg	160 kg	180 kg	200 kg

### 11.2 Afmetingen en gewichten



\* Voorwaartse richting

Afmetingen (mm)	ISA™ COMPACT	ISA™ STANDARD	ISA™ PLUS	ISA™ XPLUS
Diameter voorste/achterste zwenkwiel	75 / 75	100 / 100	100 / 100	100 / 125
Max. reikwijdte op 600 mm (a)*	110 - 270	110 - 270	110 - 270	110 - 270
Max. reikwijdte vanaf onderstel (b)*	340 - 500	340 - 500	340 - 500	340 - 500
Lengte van onderstel (c)	900	925	1080	1220
Totale lengte zonder hendel (n)	925	925	n.v.t.	n.v.t.
Totale lengte met hendel (l)*	980 - 1000	980 - 1000	1145	1290
Bereik vanaf onderstel met poten uitgeklaapt tot 700 mm (d)	420	420	225	225
Max. hoogte (f)*	1635 - 1785	1650 - 1800	1650 - 1800	1650 - 1800
Tilbereik (g)*	505 - 675	505 - 675	505 - 675	505 - 675
Min. hoogte van draagbandbevestiging (h <sub>min</sub> )*	945 - 970	960 - 985	960 - 985	960 - 985
Max. hoogte van draagbandbevestiging (h <sub>max</sub> )*	1475 - 1620	1490 - 1635	1490 - 1635	1490 - 1635

Afmetingen (mm)	ISA™ COMPACT		ISA™ STANDARD	ISA™ PLUS	ISA™ XPLUS
Totale breedte (poten uitgeklaapt), buitenmaat (i)	865	885	1110	1170	1170
Totale breedte (poten uitgeklaapt), binnenmaat (j)	755	735	960	1020	1020
Totale breedte (poten ingeklapt), buitenmaat (r)	515	535	635	640	640
Min. binnenbreedte (s)	380	380	495	495	495
Binnenbreedte bij maximale reikwijdte (k)*	640 - 725	640 - 725	775 - 870	775 - 870	775 - 870
Draaidiameter	1060	1060	1260	1400	1430
Hoogte tot bovenrand van poten (m)	100	115	115	115	115
Min. vrije hoogte (p)	20	35	35	35	35

\* Reikwijdte afhankelijk van de stand van de arm, van volledig ingeklapt tot uitgeklaapt

Gewicht hoofdonderdelen (kg)	ISA™ COMPACT	ISA™ STANDARD	ISA™ PLUS	ISA™ XPLUS
Totaalgewicht	43	48	49	52
Gewicht, mast incl. accu		19		20
Gewicht deel voor handmatig uitklappen van poten	15	20	21	n.v.t.
Gewicht deel voor elektrisch uitklappen van poten	n.v.t.	20	21	23
Beensteun			5	
Voetplaat (hoog, laag en in een hoek)			4	


### 11.3 Elektrisch systeem

	ISA™ COMPACT	ISA™ STANDARD	ISA™ PLUS	ISA™ XPLUS
Uitgangsspanning	24 V DC			
Ingangsspanning	100 – 240 V AC, 50/60 Hz			
Maximale ingangsstroom	280 mA (voor CBJ Home) / 400 mA (voor CBJ2)	280 mA (voor CBJ Home) / 400 mA (voor CBJ1 en CBJ2)	280 mA (voor CBJ Home) / 400 mA (voor CBJ1, CBJ2 en CBJ Care)	400 mA (voor CBJ1 en CBJ Care)
Beveiligingsklasse (hele apparaat)	IPX4*			
Isolatieklasse	Klasse II-apparaat			
Toegepast onderdeel van type B	Toegepast onderdeel voldoet aan de opgegeven vereisten voor bescherming tegen elektrische schokken in overeenstemming met IEC60601-1.			
Geluidsniveau	45 – 50 dB (A)			
Werkvermogen	82 keer volledig tillen (met de accu tussen 100% - 50% van het volledige vermogen)			
Met onderbrekingen (periodieke motorfunctie)	10%, max. 2 min/18 min			
Specificaties accu	2 x 12 V/2,9 Ah			
Accutype	Loodzuur (onderhoudsvrij, afgesloten)			
Handmatig zakken in noodgevallen	Ja (onder aan de actuator)			
Elektrisch zakken/tillen in noodgevallen	Ja/nee (voor CBJ2 en CBJ Home)	Ja/ja (voor CBJ1) Ja/nee (voor CBJ2 en CBJ Home)	Ja/ja (voor CBJ1 en CBJ Care) Ja/nee (voor CBJ2 en CBJ Home)	Ja/ja (voor CBJ1 en CBJ Care)

\*IPx4 - het systeem is beschermd tegen water dat vanuit een willekeurige richting tegen de onderdelen spat.

## 11.4 Voorwaarden voor de gebruiksomgeving

	Opslag en transport	Bediening
Temperatuur	-10 °C tot +50 °C	+5 °C tot +40 °C
Relatieve luchtvochtigheid	20% tot 90% bij 30 °C, niet-condenserend	
Atmosferische druk	800 hPa tot 1060 hPa	

 Laat het product voor gebruik op bedrijfstemperatuur komen:

- na opslag bij de minimumopslagtemperatuur kan het opwarmen tot de bedrijfstemperatuur meer dan 30 minuten duren.
- na opslag bij de maximumopslagtemperatuur kan het afkoelen tot de bedrijfstemperatuur meer dan 5 minuten duren.

## 11.5 Materialen

Onderdeel	Materiaal
Onderstel, poten, mast en hefboom	Staal, met poedercoating
Hefboomconnector, bouten en moeren	Staal, verzinkt
Handgrepen	TPE
Draagbandhaken	TPU

Onderdeel	Materiaal
Beenkussen	Selfskin PU
Voetplaathoes	PVC, PU
Behuizing actuator, handbediening, mastbeschermer, zwenkwielen en andere kunststof onderdelen	Materiaal volgens markering (PA, PP, PE)
Beenband	PA, PES, PVC, PU

Alle onderdelen van het product zijn roestwerend of roestbestendig.

## 11.6 Duwkracht op bedieningselementen

Bedieningselement	Duwkracht
Knoppen op de bedieningseenheid	4 N
Knoppen op de handbediening	4 N
Voetpedaal op ISA™ COMPACT met zwenkwielen van 100 mm*	270 N
Hendel voor uitklappen van poten op ISA™ COMPACT	64 N
Hendel voor uitklappen van poten op ISA™ STANDARD	70 N
Hendel voor uitklappen van poten op ISA™ PLUS	85 N

\* Voor alle overige modellen en zwenkwielmaten is een hendel voor het uitklappen van de poten verplicht.

## 12 Elektromagnetische compatibiliteit (EMC)

### 12.1 Algemene informatie over EMC

Elektrische medische apparatuur moet worden geïnstalleerd en gebruikt in overeenstemming met de EMC-informatie in deze handleiding.

Tests hebben uitgewezen dat dit product voldoet aan de EMC-richtlijnen volgens IEC/EN 60601-1-2 voor apparatuur van klasse B.

Draagbare en mobiele RF-communicatieapparatuur kan de werking van dit product beïnvloeden.

Bij andere apparaten kan er al van interferentie sprake zijn bij zeer lage elektromagnetische straling, zelfs als wordt voldaan aan bovengenoemde richtlijnen. Om te kunnen bepalen of emissie uit dit product de oorzaak is van de interferentie, schakelt u het product in en weer uit. Als er bij uitschakeling van dit product geen interferentie meer optreedt, is het product de oorzaak van de interferentie. In dit soort zeldzame gevallen kunt u het volgende doen om de interferentie te verminderen of te stoppen:

- Draai of verplaats het product, of vergroot de afstand tussen de apparaten.

### 12.2 Elektromagnetische straling

#### Richtlijn en verklaring van de fabrikant

Dit product is bedoeld voor gebruik in een elektromagnetische omgeving zoals hieronder aangegeven. De klant of de gebruiker van dit product moet zeker stellen dat dit in een dergelijke omgeving wordt gebruikt.


RF-emisietest	Naleving	Elektromagnetische omgeving – richtlijn
RF-emissies CISPR 11	Groep I	Dit product gebruikt elektromagnetische energie uitsluitend voor de interne functies. Daardoor zijn de RF-emissies zeer laag en veroorzaken deze hoogstwaarschijnlijk geen interferentie in nabije apparaten.
RF-emissies CISPR 11	Klasse B	Dit product is geschikt voor gebruik in alle situaties, inclusief thuisituaties en overal waar het openbare laagspanningsnet de stroom levert voor huishoudelijke doeleinden.
Harmonische emissies IEC 61000-3-2	Klasse A	
Spanningsfluctuaties/ flikkeremissies IEC 61000-3-3	Voldoet	

### 12.3 Elektromagnetische immuniteit

#### Richtlijn en verklaring van de fabrikant

Dit product is bedoeld voor gebruik in een elektromagnetische omgeving zoals hieronder aangegeven. De klant of de gebruiker van dit product moet zeker stellen dat dit in een dergelijke omgeving wordt gebruikt.

Immuniteitstest	Testniveau/ mate van overeenkomst	Elektromagnetische omgeving– richtlijn
Elektrostatische ontlading (ESD) IEC 61000-4-2	± 8 kV contact ± 2 kV, ± 4 kV, ± 8 kV, ± 15 kV lucht	Vloeren moeten van hout, beton of tegels zijn. Als vloeren zijn bekleed met synthetische vloerbedekking, moet de relatieve vochtigheid minstens 30% bedragen.
Elektrostatische transiënt/ burst IEC 61000-4-4	± 2 kV voor stroomtoevoerkabels; 100 kHz herhaalfrequentie ± 1 kV voor input-/outputkabels; 100 kHz herhaalfrequentie	De kwaliteit van de netstroom moet overeenkomen met die van een commerciële omgeving of ziekenhuisomgeving.
Overspanning IEC 61000-4-5	± 1 kV kabel naar kabel ± 2 kV kabel naar aarde	De kwaliteit van de netstroom moet overeenkomen met die van een commerciële omgeving of ziekenhuisomgeving.

Immunitiestest	Testniveau/ mate van overeenkomst	Elektromagnetische omgeving- richtlijn
Spanningsdips, korte onderbrekingen en spanningsvariaties op stroomtoevoerkabels IEC 61000-4-11	< 0% $U_T$ gedurende 0,5 cyclus in stappen van 45° 0% $U_T$ gedurende 1 cyclus 70% $U_T$ gedurende 25/30 cycli < 5% $U_T$ gedurende 250/300 cycli	De kwaliteit van de netstroom moet overeenkomen met die van een commerciële omgeving of ziekenhuisomgeving. Als de gebruiker van dit product continue beschikbaarheid vereist gedurende netspanningsonderbrekingen, wordt aangeraden het product van voeding te voorzien met een noodstroomvoorziening (UPS, Uninterruptable Power Supply) of een accu.  $U_T$ is de netspanning vóór toepassing van de test.
Magnetisch veld van netstroomfrequentie (50/60 Hz) IEC 61000-4-8	30 A/m	Magnetische velden van de netspanningsfrequentie moeten op een niveau liggen dat kenmerkend is voor een typische commerciële omgeving of ziekenhuisomgeving.
Geleidings-RF IEC 61000-4-6  Stralings-RF IEC 61000-4-3	3 V 150 kHz - 80 Mhz  6 V binnen bandbreedtes voor ISM en amateurradio  10 V/m 80 Mhz - 2,7 GHz  Zie tabel 9 van IEC 60601-1-2:2014 voor specificaties van de 385 MHz - 5785 MHz-test met betrekking tot immuniteit voor draadloze RF-communicatie-apparatuur.	De veldsterkte van vaste zenders, zoals basisstations voor draadloze telefonie, mobilofoons, amateurzenders, AM- en FM-radiozenders en tv-zenders kunnen theoretisch niet nauwkeurig worden voorspeld. Om de invloed van vaste RF-zenders op de elektromagnetische omgeving te bepalen, moet een elektromagnetisch veldonderzoek worden overwogen. Indien de gemeten veldsterkte op de locatie waar het product wordt gebruikt de eerdergenoemde toegestane elektromagnetische waarden overstijgt, moet dit product worden geobserveerd om normaal functioneren vast te stellen. Als abnormaal functioneren wordt geconstateerd, zijn wellicht extra maatregelen nodig, zoals het verdraaien of verplaatsen van het product.  Interferentie kan optreden in de nabijheid van apparatuur met het volgende symbool:   Houd draagbare en mobiele RF-communicatieapparatuur op ten minste 30 cm van de onderdelen van dit product (inclusief kabels).



Deze richtlijnen zijn mogelijk niet in alle omstandigheden van toepassing. Elektromagnetische straling wordt beïnvloed door absorptie en reflectie van gebouwen, objecten en mensen.



# Índice

Este manual TEM de ser fornecido ao utilizador do produto. ANTES de utilizar este produto, este manual DEVE ser lido e guardado para referência futura.

<b>1 Geral</b> .....	<b>194</b>
1.1 Introdução .....	194
1.1.1 Símbolos utilizados neste manual .....	194
1.2 Vida útil .....	194
1.2.1 Informações adicionais .....	194
1.3 Limitação de responsabilidade .....	194
1.4 Informações da garantia .....	194
1.5 Conformidade .....	194
1.5.1 Normas específicas do produto .....	194
<b>2 Segurança</b> .....	<b>195</b>
2.1 Informações gerais de segurança .....	195
2.1.1 Pontos de pressão .....	196
2.2 Informações de segurança sobre os acessórios .....	196
2.3 Informação de segurança sobre a interferência eletromagnética .....	196
2.3.1 Modo de carregamento de baterias .....	197
2.4 Rótulos e símbolos no produto .....	197
2.4.1 Localização da etiqueta .....	197
2.4.2 Identificação da etiqueta .....	197
2.4.3 Outros símbolos .....	197
<b>3 Descrição geral do produto</b> .....	<b>199</b>
3.1 Utilização prevista .....	199
3.2 Principais peças do elevador de transferência .....	199
3.3 Acessórios .....	200
<b>4 Configuração</b> .....	<b>201</b>
4.1 Informações gerais de segurança .....	201
4.2 Material incluído na entrega .....	201
4.3 Instalação do mastro na base .....	201
4.4 Instalação da placa de pé .....	202
4.5 Instalação da faixa para as pernas .....	202
4.6 Instalação do apoio de pernas .....	202
4.7 Instalação da alavanca para abertura das pernas manual .....	203
4.8 Reposição do indicador de assistência .....	203
<b>5 Utilização</b> .....	<b>204</b>
5.1 Informações gerais de segurança .....	204
5.2 Bloquear/Desbloquear os rodízios traseiros .....	204
5.3 Levantar/Baixar o elevador eléctrico .....	204
5.4 Fechar/Abrir as pernas do elevador .....	204
5.4.1 Fechar/Abrir as pernas eléctricas do elevador .....	204
5.4.2 Fechar/abrir as pernas do elevador manualmente .....	204
5.5 Ajuste do braço de elevação à altura do corpo do paciente .....	205
5.6 Ajuste da altura do apoio de pernas .....	205
5.7 Utilização da faixa para as pernas .....	205
5.8 Funções de emergência .....	206
5.8.1 Realizar uma paragem de emergência .....	206
5.8.2 Ativação de um abaixamento de emergência (unidade de controlo CBJ-Home) .....	206
5.8.3 Ativação de um abaixamento de emergência (unidade de controlo CBJ Care, CBJ1, CBJ2) .....	206
5.8.4 Ativação de um levantamento de emergência (unidade de controlo CBJ Care, CBJ1) .....	206
5.8.5 Ativação do mecanismo mecânico de descida de emergência .....	206
5.9 Carregar a bateria .....	207
5.9.1 Unidade de controlo CBJ-Home .....	207
5.9.2 Unidade de controlo CBJ Care, CBJ1, CBJ2 .....	207
5.9.3 Carregador da bateria opcional .....	208
<b>6 Transferência do paciente</b> .....	<b>210</b>
6.1 Informações gerais de segurança .....	210
6.2 Fixar a cesta ao elevador de transferência .....	211
6.3 Transferência de um paciente .....	212
<b>7 Transporte e armazenamento</b> .....	<b>214</b>
7.1 Informações gerais .....	214
7.2 Desmontagem do elevador de transferência .....	214
<b>8 Manutenção</b> .....	<b>215</b>
8.1 Informações gerais sobre manutenção .....	215
8.2 Inspeções diárias .....	215
8.3 Limpeza e desinfeção .....	215
8.3.1 Informações gerais de segurança .....	215
8.3.2 Intervalos de limpeza .....	215
8.3.3 Instruções de limpeza .....	216
8.3.4 Instruções de desinfeção .....	216
8.4 Intervalo para manutenção .....	216
<b>9 Após a utilização</b> .....	<b>217</b>
9.1 Eliminação .....	217
9.2 Recondicionamento .....	217
<b>10 Resolução de problemas</b> .....	<b>218</b>
10.1 Identificação de falhas e soluções possíveis .....	218
<b>11 Características Técnicas</b> .....	<b>220</b>
11.1 Carga útil máxima de segurança .....	220
11.2 Dimensões e pesos .....	220
11.3 Sistema eléctrico .....	221
11.4 Condições ambientais .....	222
11.5 Materiais .....	222
11.6 Forças de funcionamento dos controlos .....	222
<b>12 Compatibilidade eletromagnética (EMC)</b> .....	<b>223</b>
12.1 Informações gerais sobre compatibilidade eletromagnética (EMC) .....	223
12.2 Emissões eletromagnéticas .....	223
12.3 Imunidade eletromagnética .....	223

# 1 Geral

## 1.1 Introdução

Este manual de utilização contém informações importantes sobre o manuseamento do produto. Para garantir a segurança durante a utilização do produto, leia atentamente o manual de utilização e siga as instruções de segurança.

Tenha em atenção que este documento pode conter secções não aplicáveis ao seu produto, uma vez que se refere a todos os modelos disponíveis (à data da impressão). Salvo menção em contrário, cada secção deste documento refere-se a todos os modelos do produto.

Os modelos e configurações disponíveis no seu país podem ser encontrados em catálogos de preços específicos do país.

A Invacare reserva-se o direito de alterar as especificações do produto sem aviso prévio.

Antes de ler este documento, certifique-se de que tem a versão mais recente. A versão mais recente está disponível no site da Invacare, em formato PDF.

Se o tamanho do tipo de letra no documento impresso for difícil de ler, pode transferir uma versão em PDF do manual a partir do site. A imagem do PDF pode ser ajustada no ecrã para um tamanho de tipo de letra que lhe seja mais cómodo.

Para obter mais informações sobre o produto, por exemplo, avisos de segurança de produtos e retiradas de produtos do mercado, contacte o seu representante da Invacare. Consulte os endereços no final deste documento.

Em caso de incidente grave com o produto, deve informar o fabricante e as autoridades competentes do seu país.

### 1.1.1 Símbolos utilizados neste manual

Neste manual, as advertências são indicadas por símbolos. Os símbolos de advertência são acompanhados por um cabeçalho que indica a gravidade do perigo.



#### ADVERTÊNCIA

Indica uma situação perigosa que, se não for evitada, poderá resultar em morte ou em lesões graves.



#### CUIDADO

Indica uma situação perigosa que, se não for evitada, poderá resultar em lesões menores ou ligeiras.



#### IMPORTANTE

Indica uma situação perigosa que, se não for evitada, poderá resultar em danos à propriedade.



#### Sugestões e recomendações

Sugestões, recomendações e informações úteis para uma utilização eficiente e sem problemas.

## 1.2 Vida útil

A vida útil prevista deste produto é de oito anos, quando o mesmo é utilizado diariamente e em conformidade com

as instruções de segurança, intervalos de manutenção e utilização correcta indicados neste manual. A vida útil efectiva pode variar de acordo com a frequência e intensidade de utilização.

### 1.2.1 Informações adicionais

A vida útil esperada baseia-se numa média estimada de 4 ciclos de elevação por dia.

## 1.3 Limitação de responsabilidade

A Invacare não aceita a responsabilidade por danos decorrentes de:

- Incumprimento das instruções presentes no manual de utilização
- Utilização incorreta
- Desgaste natural devido ao uso
- Montagem ou preparação incorreta pelo comprador ou por terceiros
- Modificações técnicas
- Modificações não autorizadas e/ou utilização de peças sobressalentes desadequadas

## 1.4 Informações da garantia

Facultamos uma garantia de fabrico para o produto, em conformidade com os nossos Termos e Condições Gerais de Compra nos respetivos países.

As reclamações de garantia só podem ser realizadas através do fornecedor ao qual o produto foi adquirido.

## 1.5 Conformidade

A qualidade é fundamental para o funcionamento da empresa, estando em conformidade com a norma ISO 13485.

Este produto apresenta a marca CE, em conformidade com o Regulamento de dispositivos médicos 2017/745, Classe 1. A data de lançamento deste produto é indicada na declaração de conformidade CE.

Temos empreendido um esforço contínuo para reduzir ao mínimo o impacto local e global da empresa no ambiente.

Apenas utilizamos materiais e componentes que cumprem a diretiva REACH.

Cumprimos as legislações vigentes em matéria ambiental, nomeadamente, as diretivas REEE e RoHS.

### 1.5.1 Normas específicas do produto

O produto foi testado e está em conformidade com a norma ISO 10535 (Dispositivos de levantamento para a transferência de pessoas deficientes) e com todas as normas relacionadas.

Para obter informações adicionais sobre as normas e os regulamentos locais, contacte o representante local da Invacare. Consulte os endereços no final deste documento.

## 2 Segurança

### 2.1 Informações gerais de segurança

Esta secção do manual contém informações de segurança gerais sobre o produto. Para obter informações de segurança específicas, consulte a secção adequada do manual e os procedimentos incluídos nessa secção.



#### **ADVERTÊNCIA!**

##### **Risco de lesão ou danos**

- Não utilize este produto ou qualquer equipamento opcional disponível sem primeiro ler e compreender estas instruções e todo o material de instrução adicional, assim como os manuais de utilização ou os folhetos de instruções fornecidos com este produto ou com equipamento opcional. Se não compreender as advertências, os avisos ou as instruções, contacte um profissional de cuidados de saúde, um técnico qualificado ou um fornecedor Invacare antes de tentar utilizar este produto.
- Não faça quaisquer modificações nem alterações não autorizadas ao produto.



#### **ADVERTÊNCIA!**

##### **A carga útil máxima de segurança não pode ser ultrapassada.**

- Não exceda a carga útil máxima de segurança deste produto ou dos acessórios utilizados como cestas, etc. Consulte a documentação ou a etiquetagem para obter informações sobre a carga útil máxima de segurança mencionada.
- O componente com o limite de carga mais baixo determina a carga útil máxima de segurança de todo o sistema.



#### **ADVERTÊNCIA!**

##### **Risco de lesão ou danos**

A utilização incorreta deste produto pode causar lesões ou danos.

- Não tente qualquer transferência sem a aprovação do profissional de cuidados de saúde do paciente.
- Leia as instruções incluídas neste manual de utilização e observe pessoal formado a realizar os procedimentos de transferência. Em seguida, pratique as transferências sob supervisão e com uma pessoa capaz de fazer de paciente.
- Os pacientes que forem transferidos ou posicionados com o elevador de transferência posição vertical DEVEM ser cooperantes, coerentes e ter controlo da cabeça e do pescoço. Caso contrário, poderão ocorrer lesões.
- Os pacientes que forem transferidos ou posicionados utilizando uma cesta apenas suporte de encosto, DEVEM conseguir suportar a maior parte do seu próprio peso. Caso contrário, podem ocorrer lesões ou danos. Para obter mais informações, consulte o manual de utilização da cesta.
- Não utilize o elevador de transferência como um dispositivo de transporte. Destina-se à

transferência de um indivíduo de uma superfície de assento para outra.



#### **ADVERTÊNCIA!**

##### **Risco de lesão ou danos**

O manuseamento desadequado dos cabos, ligações incorretas e a utilização de equipamento não autorizado podem causar choque elétrico e falha do produto.

- Não dobre, corte nem danifique de outro modo os cabos do produto.
- Certifique-se de que nenhum cabo fica preso ou é danificado durante a utilização do produto.
- Certifique-se de que a cablagem é a correta e as ligações estão em boas condições.
- Não utilize equipamento não autorizado.



#### **ADVERTÊNCIA!**

##### **Risco de lesão ou danos**

A humidade em excesso danifica o produto e pode causar choque elétrico.

- O elevador de transferência pode ser utilizado na área da banheira ou chuveiro, mas NÃO pode ser utilizado por baixo do chuveiro. O paciente deve ser transferido para uma cadeira de duche ou utilizar outros meios para tomar duche.
- Se o elevador de transferência for utilizado num ambiente húmido, certifique-se de que limpa qualquer vestígio de humidade do elevador após a utilização.
- Não ligue nem desligue o cabo de alimentação num ambiente de humidade ou com as mãos húmidas.
- Não armazene o produto numa área húmida ou em condições de humidade.
- Verifique periodicamente se todos os componentes do produto apresentam sinais de corrosão ou danos. Substitua as peças corroídas ou danificadas.
- Consulte a secção *11.4 Condições ambientais*, página 222



#### **ADVERTÊNCIA!**

##### **Risco de lesão ou danos**

As fontes de ignição podem causar queimaduras ou incêndio.

- A transferência do paciente deve ser realizada tendo um espaço de segurança entre o elevador de transferência e possíveis fontes de ignição (aquecedor, fogão, lareira, etc.)
- O paciente e os assistentes não devem fumar durante a transferência.
- A cesta não deve ser colocada sobre fontes de calor (aquecedor, fogão, lareira, etc.)



#### **ADVERTÊNCIA!**

##### **Risco de lesão ou danos**

Para evitar lesões ou danos durante a utilização do produto:

- É necessária estreita supervisão quando o produto é utilizado perto de crianças ou animais de estimação.
- Não deixe as crianças brincarem com o produto.

**ATENÇÃO!****Risco de lesão ou danos**

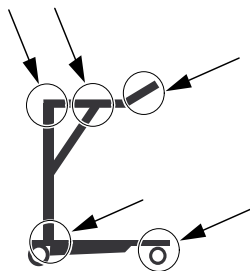
O produto pode ficar quente quando está exposto à luz do sol ou a outras fontes de calor.

- Não exponha o produto à luz solar direta durante períodos prolongados.
- Mantenha o produto longe de fontes de calor.

**IMPORTANTE!**

A acumulação de algodão, pó e outro tipo de sujidade pode danificar o produto.

- Mantenha o produto limpo.

**2.1.1 Pontos de pressão****ADVERTÊNCIA!****Risco de lesão**

Existem pontos de pressão em vários locais do elevador de transferência e várias partes do corpo podem ser entaladas.

- Mantenha sempre as mãos, os dedos e os pés afastados das peças em movimento.

**2.2 Informações de segurança sobre os acessórios****ATENÇÃO!****Risco de lesão**

Acessórios não originais ou incorretos podem afetar o funcionamento e a segurança deste produto.

- Devido a diferenças regionais, consulte o catálogo ou o site local da Invacare para informações sobre os acessórios disponíveis ou contacte o seu fornecedor Invacare.
- Consulte o manual que acompanha o acessório para obter informações e instruções adicionais.
- Utilize apenas acessórios originais para o produto em utilização. Em algumas circunstâncias, a utilização de cestas de outro fabricante é possível. Consulte informações adicionais nesta secção.
- Antes de distribuir equipamento de elevação, deve ser sempre realizada uma avaliação de riscos por um profissional qualificado. É importante que a Tarefa, o Indivíduo, a Carga, o Ambiente e o Equipamento sejam considerados na avaliação de riscos.
- Escolha sempre um design e tamanho de cesta de acordo com o peso, o tamanho e a capacidade física do paciente, levando em consideração o tipo de transferências a ser realizado.

**ATENÇÃO!****Compatibilidade das cestas com o sistema de fixação**

A Invacare utiliza um sistema de fixação comum baseado em ganchos e presilhas. As presilhas das cestas são prendidas aos ganchos do elevador de transferência. Como tal, as cestas adequadas de outros fabricantes também podem ser utilizadas neste elevador de transferência.

- Utilize apenas as cestas que se destinam aos elevadores de transferência posição vertical.
- Utilize apenas cestas com presilhas adequadas para ganchos como pontos de fixação.
- Não utilize cestas concebidas para "Sistemas de fixação de orifício ou clipe" ou "Sistemas de chassis reclinável".

**2.3 Informação de segurança sobre a interferência eletromagnética****ADVERTÊNCIA!****Risk of malfunction due to electromagnetic interference**

Podem ocorrer interferências eletromagnéticas entre este produto e outros equipamentos elétricos que podem afetar as funções de regulação elétrica deste produto. Para evitar, reduzir ou eliminar as interferências eletromagnéticas:

- Utilize apenas cabos, acessórios e peças sobressalentes originais para não aumentar as emissões eletromagnéticas nem reduzir a imunidade eletromagnética deste produto.
- Não utilize equipamentos de comunicações de radiofrequência (RF) portáteis a uma distância inferior a 30 cm de qualquer parte deste produto (incluindo cabos).
- Não utilize este produto perto de equipamento cirúrgico ativo de alta frequência, nem de uma sala de imagiologia por ressonância magnética com blindagem de RF, onde a intensidade das perturbações eletromagnéticas é alta.
- Se ocorrerem perturbações, aumente a distância entre este produto e o outro equipamento ou desligue o equipamento.
- Consulte as informações detalhadas e siga a orientação no capítulo 12 *Compatibilidade eletromagnética (EMC)*, página 223

**ADVERTÊNCIA!****Risco de avaria**

A interferência eletromagnética pode causar problemas de funcionamento.

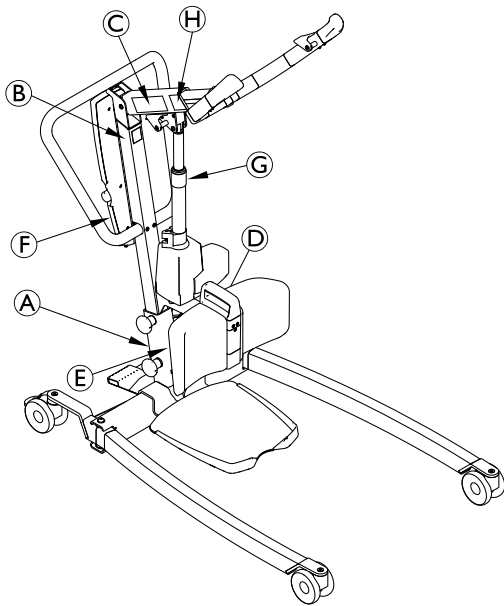
- Não utilize este produto ao lado de ou empilhado com equipamento elétrico adicional. Se tiver de o fazer, este produto e o equipamento adicional terão de ser observados de perto para confirmar se estão a funcionar normalmente.

### 2.3.1 Modo de carregamento de baterias

**!** **IMPORTANTE!**  
 Durante o carregamento da bateria, a unidade de controlo é mais suscetível a danos por uma descarga eletrostática (ESD). A ocorrência de uma ESD durante o modo de carregamento da bateria pode resultar em avaria da unidade de controlo ou em perda de função.  
 – Evite quaisquer possíveis fontes de ESD durante o carregamento da bateria.

## 2.4 Rótulos e símbolos no produto

### 2.4.1 Localização da etiqueta



Ⓐ	Etiqueta com identificação
Ⓑ	Ler a etiqueta do manual de utilização
Ⓒ	Nome e carga útil do elevador de transferência – consoante o modelo
Ⓓ	Etiqueta de condições ambientais e peso total máximo
Ⓔ	Carga útil do elevador de transferência – consoante o modelo
Ⓕ	Etiqueta de anulação da garantia – não está presente em todos os modelos
Ⓖ	Etiqueta de advertência
Ⓕ	Etiqueta de ajuste do braço de elevação

### 2.4.2 Identificação da etiqueta



A etiqueta com identificação contém as principais informações do produto, incluindo dados técnicos.

### Símbolos

	Número de série
	Número de referência
	Morada do fabricante
	Data de fabrico
	Carga útil máxima de segurança
	Equipamento de CLASSE II
	Peça aplicada de tipo B
	Em conformidade com a diretiva REEE
	Conformidade Europeia


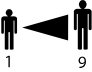
Abreviaturas dos dados técnicos:

- lin = Corrente de entrada
- Uin = Tensão de entrada
- Int. = Intermitência
- AC = Corrente alterna
- max = máximo
- min = minuto

Para obter mais informações sobre dados técnicos, consulte o capítulo 11 *Características Técnicas*, página 220

### 2.4.3 Outros símbolos

	Consulte o Manual de Utilização
	Peso total do produto com a carga útil máxima de segurança aplicada
	Não utilize o atuador como uma barra de empurrar
	Não o remova A garantia será anulada se o remover ou partir
	Limite de temperatura
	Limite de humidade
	Limite de pressão atmosférica
	Condições de transporte e armazenamento

	Condições de funcionamento
	Ajuste do braço de elevação em correlação com a altura do corpo do paciente

## 3 Descrição geral do produto

### 3.1 Utilização prevista

O elevador de transferência posição vertical é um dispositivo de transferência alimentado a bateria e destina-se a transferir e posicionar um indivíduo de uma superfície de assento para outra. Por exemplo:

- Entre a cama e uma cadeira de rodas
- De e para a sanita
- Reabilitação, ajudar um paciente a passar de uma posição sentada para uma posição de pé

A carga útil máxima de segurança é indicada na secção 11 *Características Técnicas, página 220*

O elevador de transferência posição vertical foi concebido para utilização no interior numa superfície nivelada em hospitais, casas de repouso e áreas domésticas. O elevador de transferência posição vertical pode ser girado (rodado) quando estiver posicionado para transferências em espaços exíguos.

O operador deste produto deve ser um profissional de cuidados de saúde ou um indivíduo que recebeu a formação adequada.

### Indicações

O elevador de transferência posição vertical destina-se a efetuar transferências e a posicionar pacientes parcialmente imobilizados capazes de suportar o seu peso.

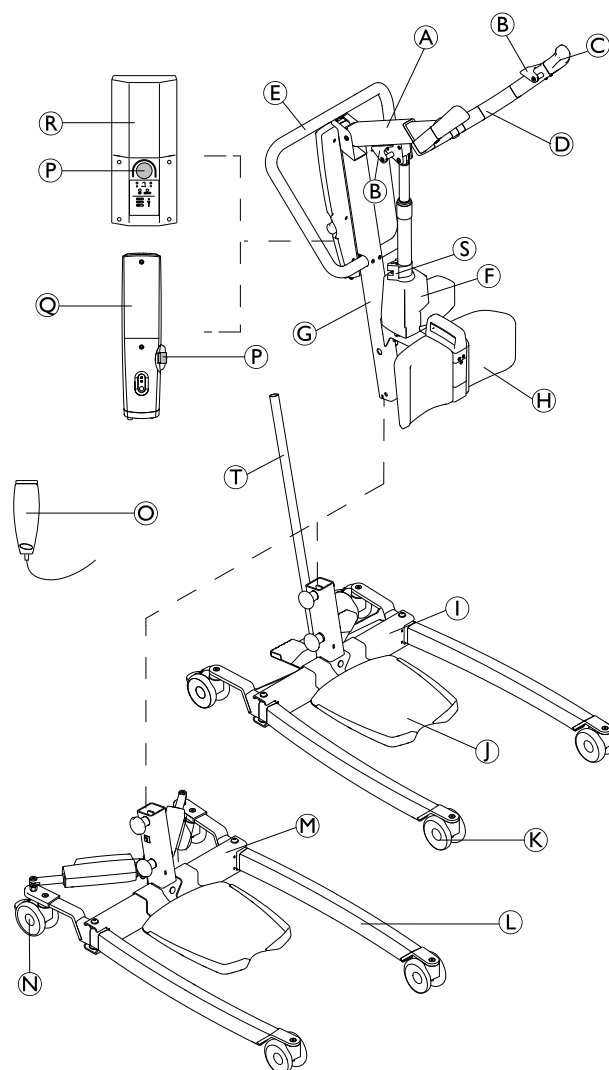
### Contraindicações

O elevador de transferência posição vertical é contraindicado para pacientes que:

- não sejam cooperantes
- não consigam compreender e seguir as instruções
- não tenham controlo da cabeça e do pescoço
- não tenham estabilidade razoável do tronco

Algumas cestas concebidas para o elevador de transferência posição vertical são contraindicadas para pacientes que não conseguem suportar a maior parte do seu próprio peso. Para obter mais informações, consulte o manual de utilização da cesta.

### 3.2 Principais peças do elevador de transferência



(A)	Braço
(B)	Gancho para a cesta
(C)	Pega
(D)	Braço de elevação
(E)	Barra de empurrar
(F)	Atuador de elevação
(G)	Mastro
(H)	Apoio de pernas (fixo ou rebatível)
(I)	Base com pedal para abertura das pernas manual
(J)	Placa de pé (alta, baixa ou inclinada)
(K)	Rodízios dianteiros
(L)	Perna
(M)	Base com atuadores para abertura das pernas elétrica — com ou sem tampas de atuador
(N)	Rodízios traseiros com travão
(O)	Comando
(P)	Paragem de emergência

©	Unidade de controlo CBJ-Home com bateria integrada
®	Unidade de controlo CBJ Care, CBJ1 ou CBJ2 com bateria removível
Ⓢ	Descida de emergência mecânico
Ⓣ	Alavanca para abertura das pernas manual

### 3.3 Acessórios



Devido a diferenças regionais, consulte o catálogo ou o site local da Invacare para obter detalhes sobre os acessórios disponíveis ou contacte o seu fornecedor Invacare.

- Alavanca para abertura das pernas manual
- Capas de proteção para as pernas
- Faixa para as pernas
- Carregador de parede para uma bateria removível
- Bateria extra
- Placa de pé adicional (alta, baixa ou inclinada)

Modelos de cesta com presilhas adequadas para ganchos como pontos de fixação:

- Cesta Invacare® Stand Assist (Europa)/Cesta Invacare® Standup (Ásia-Pacífico): Encaixe de 2 pontos apenas com apoio para o encosto.
- Cesta Invacare® Transfer Stand Assist: Encaixe de 4 pontos com apoio para o encosto e as pernas.



## 4 Configuração

### 4.1 Informações gerais de segurança


**ADVERTÊNCIA!**

- Verifique todas as peças antes da utilização para conferir se ocorreram danos no transporte.
- Em caso de danos, não utilize o equipamento. Contacte o seu fornecedor Invacare para obter instruções adicionais.


**ADVERTÊNCIA!**
**Risco de lesões**

A montagem incorreta deste produto pode causar lesões ou danos.

- Utilize apenas peças da Invacare na montagem deste elevador de transferência.
- Após cada montagem, verifique se os encaixes estão devidamente apertados e se todas as peças funcionam corretamente.
- Não aperte excessivamente as ferragens de fixação. Se o fizer, poderá danificar os suportes de montagem.

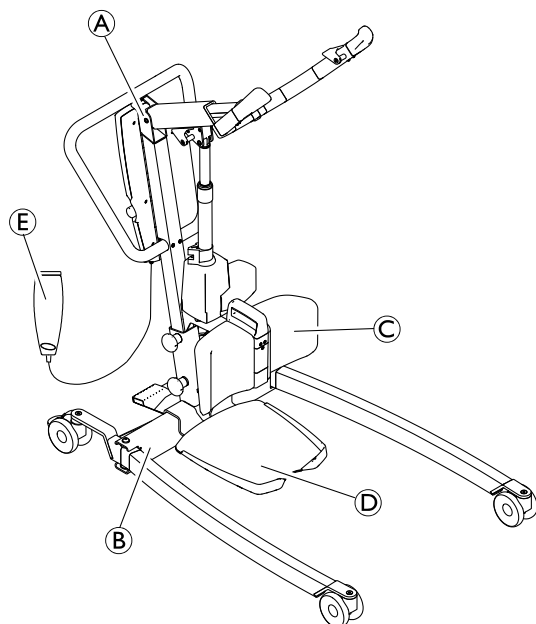


Não são necessárias ferramentas para montar o elevador de transferência.

Se surgir algum problema ou questão durante a montagem, contacte o seu fornecedor Invacare.

### 4.2 Material incluído na entrega

Os itens incluídos na embalagem variam consoante os modelos e as configurações disponíveis no seu país. Consulte a secção 1.1 *Introdução*, página 194



(A)	Mastro/suporte do braço (1 peça) — incl. unidade de controlo e atuador
(B)	Base com ou sem atuadores (1 peça)
(C)	Apoio de pernas
(D)	Placa de pé

(E)	Comando (1 peça)
	Cabo de alimentação (1 peça)
	Manual de utilização (1 peça)
	Bateria (1 ou 2 peças)* – Apenas CBJ Care, CBJ1 e CBJ2
	Alavanca para abertura das pernas manual (1 peça)*
	Faixa para a pernas (1 peça)*
	Cesta (1 peça)*

\* Depende do modelo e/ou da configuração



Se o elevador de transferência for entregue com uma cesta, consulte o manual de utilização da cesta para instruções de utilização, aplicação, manutenção e lavagem.

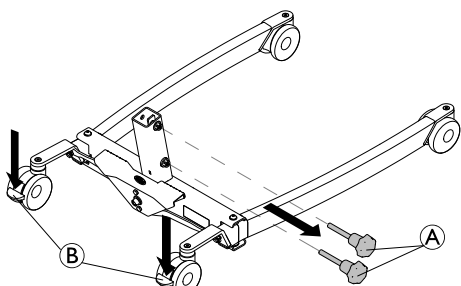
### 4.3 Instalação do mastro na base


**ADVERTÊNCIA!**
**Risco de lesão ou danos**

A carga útil máxima de segurança indicada no braço e na base deve ser idêntica.

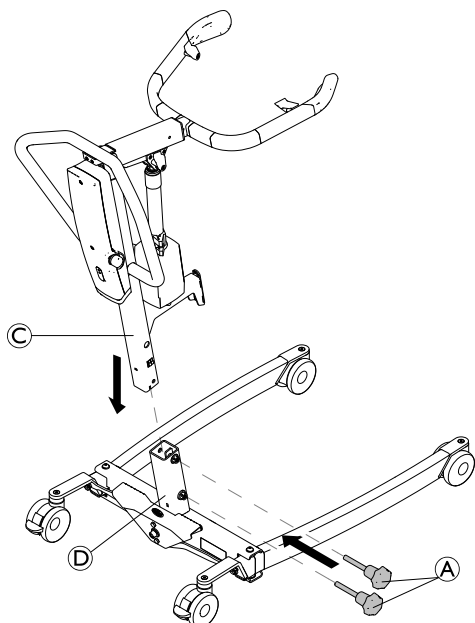
- Compare sempre os valores da carga útil máxima de segurança indicados na base e no braço.

1.



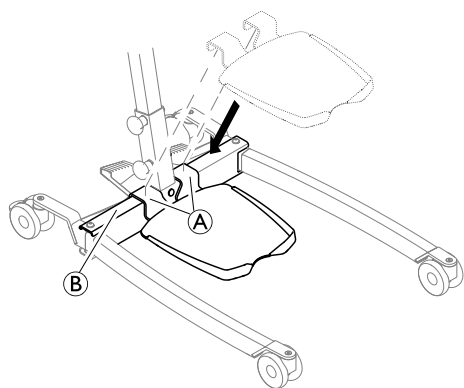
Bloqueie ambos os rodízios traseiros **B** e rode os parafusos de aperto **A** no sentido contrário ao dos ponteiros do relógio para os retirar da base.

2.



Com o braço a apontar para a frente, baixe o mastro **C** encaixando-o no suporte da base **D** e reinstale os parafusos de aperto **A** para fixar o mastro **C** à base.

#### 4.4 Instalação da placa de pé



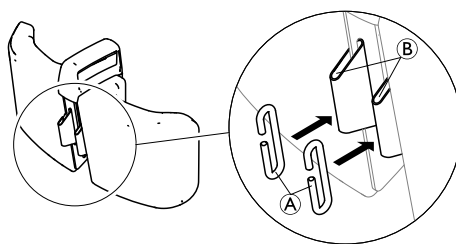
1. Baixe a placa de pé na base até os suportes **A** assentarem completamente no tubo **B**.

#### 4.5 Instalação da faixa para as pernas

(opcional)

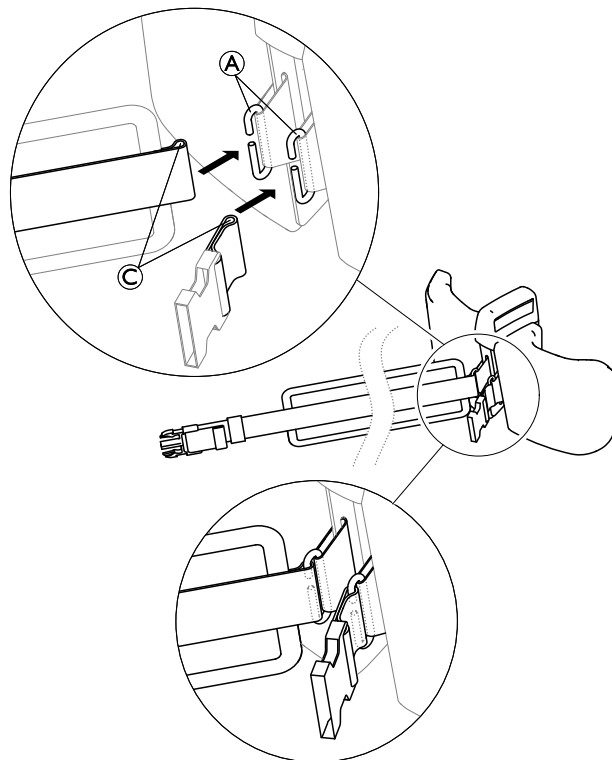
As duas partes da faixa para as pernas são fixadas no lado posterior do apoio de pernas.

1.



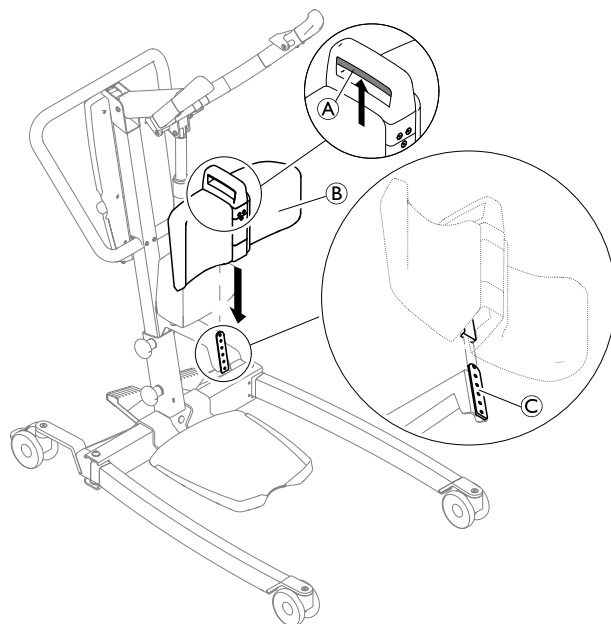
Passes os dois ganchos **A** pelas linguetas **B** no lado posterior do apoio de pernas.

2.




Passes as presilhas **C** das duas faixas para as pernas pelos ganchos **A**.

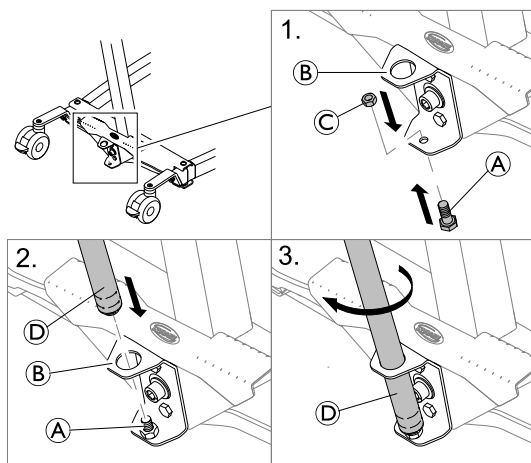
#### 4.6 Instalação do apoio de pernas



1. Pressione e mantenha o manípulo de bloqueio (A) pressionado para cima no apoio das pernas (B).
2. Faça deslizar a guia na parte posterior do apoio de pernas (B) para a sua placa de fixação (C) no mastro.
3. Quando for atingida a altura pretendida, solte o manípulo (A) e mova ligeiramente o apoio de pernas (B) para cima ou para baixo até ouvir um clique e o apoio de pernas (B) fica bloqueado numa das 6 posições de altura disponíveis.

## 4.7 Instalação da alavanca para abertura das pernas manual

 Chave de 2 x 13 mm



1. Insira o parafuso (A) no orifício inferior do suporte (B) pela parte de baixo e fixe-o com a porca (C).
2. Insira a extremidade roscada da alavanca (D) no orifício superior do suporte (B) no parafuso fixo (A).
3. Rode a alavanca (D) no sentido dos ponteiros do relógio para a enroscar ao parafuso.

## 4.8 Reposição do indicador de assistência

(apenas a unidade de controlo CBJ Care)



### IMPORTANTE!

Se a luz de assistência estiver a piscar a amarelo durante a utilização diária ou após uma nova montagem, o elevador de transferência necessita de assistência.

– Contacte o fornecedor Invacare para solicitar manutenção.

Depois da montagem inicial do elevador de transferência, o indicador de assistência necessita de ser repostado antes de utilizar o elevador de transferência.

Para realizar uma reposição inicial do indicador de assistência:

1. Localize o comando.
2. Prima e mantenha premido o botão PARA CIMA e o botão PARA BAIXO ao mesmo tempo, durante cinco segundos.
3. Quando o indicador de assistência for repostado ouve-se um som.

## 5 Utilização

### 5.1 Informações gerais de segurança



#### ADVERTÊNCIA!

##### Risco de lesão ou danos

Antes de utilizar o elevador de transferência com um paciente, consulte as seguintes informações e instruções de segurança:

- 2 Segurança, página 195
- 6 Transferência do paciente, página 210

### 5.2 Bloquear/Desbloquear os rodízios traseiros

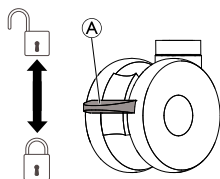


#### ADVERTÊNCIA!

##### Risco de lesões ou danos

O elevador pode tombar e colocar o paciente e os assistentes em perigo.

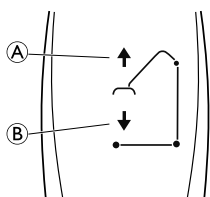
- A Invacare recomenda que os rodízios traseiros permaneçam desbloqueados durante os procedimentos de elevação, para permitir que o elevador de transferência estabilize quando o paciente for elevado inicialmente de uma cadeira, cama ou objeto estacionário.
- A Invacare recomenda o bloqueio dos rodízios traseiros do elevador apenas quando posicionar ou remover a cesta à volta do paciente.



- Para bloquear o rodízio, carregue no pedal **A** com o pé.
- Para desbloquear o rodízio, levante o pedal **A** com o pé.

### 5.3 Levantar/Baixar o elevador eléctrico

O comando é utilizado para levantar ou baixar o elevador.



1. Para levantar o elevador — prima e mantenha premido o botão PARA CIMA **A** para elevar a viga e o paciente.
2. Para baixar o elevador — prima e mantenha premido o botão PARA BAIXO **B** para baixar a viga e o paciente.



Solte o botão para levantar ou baixar o elevador.

### 5.4 Fechar/Abrir as pernas do elevador



#### ADVERTÊNCIA!

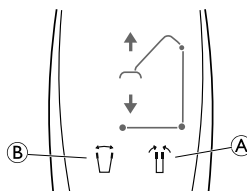
##### Risco de lesões

O elevador pode tombar e colocar o paciente e os assistentes em perigo.

- As pernas do elevador devem estar na posição mais aberta para garantir a máxima estabilidade e segurança. Se for necessário fechar as pernas do elevador para o manobrar debaixo de uma cama, feche as pernas do elevador apenas durante o tempo necessário para posicionar o elevador sobre o paciente e elevar o paciente para fora da superfície da cama. Quando as pernas do elevador já não estiverem debaixo da cama, volte a colocar as pernas do elevador na posição mais aberta.

#### 5.4.1 Fechar/Abrir as pernas eléctricas do elevador

O comando é utilizado para abrir ou fechar as pernas da base.

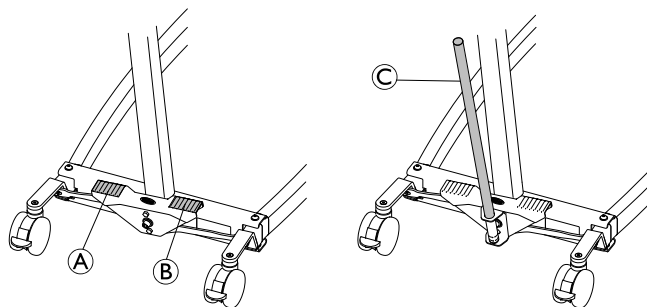


1. Para fechar as pernas do elevador, prima e mantenha premido o botão de pernas fechadas **A**.
2. Para abrir as pernas do elevador, prima e mantenha premido o botão de pernas abertas **B**.



As pernas param de mover quando o botão é libertado.

#### 5.4.2 Fechar/abrir as pernas do elevador manualmente



A abertura das pernas manual é operada por dois pedais (**A** e **B**) ou pela alavanca **C**.

1. Para abrir as pernas do elevador, prima o pedal direito **B** com um pé.
2. Para fechar as pernas do elevador, prima o pedal esquerdo **A** com um pé.

Com a alavanca:

1. Para abrir as pernas do elevador, puxe a alavanca **C** para a direita.
2. Para fechar as pernas do elevador, pressione a alavanca **C** para a esquerda.

## 5.5 Ajuste do braço de elevação à altura do corpo do paciente



### ATENÇÃO!

#### Risco de lesão ou danos

Uma posição incorreta do braço pode fazer com que o braço de elevação subitamente deslize para dentro ou para fora quando é solto.

- Ajuste sempre o braço de elevação quando se encontrar sem carga e com o braço na posição horizontal.

O principal critério de ajuste é a altura do paciente, mas a definição correta depende também outros fatores, tais como o comprimento dos laços da cesta, a condição do paciente e as preferências pessoais.

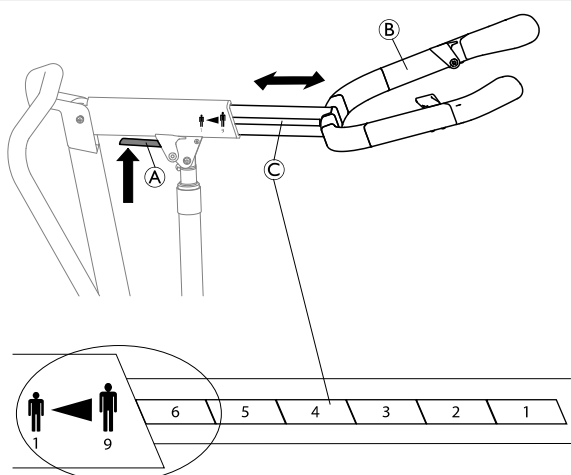
As seguintes diretrizes dizem respeito a valores e desvios médios que podem ocorrer:

- Posição 1 (totalmente retraído): altura do paciente de cerca de 140 cm e superior.
- Posição 5: altura do paciente de cerca de 170 cm e superior.
- Posição 9 (totalmente expandido): altura do paciente até cerca de 200 cm.



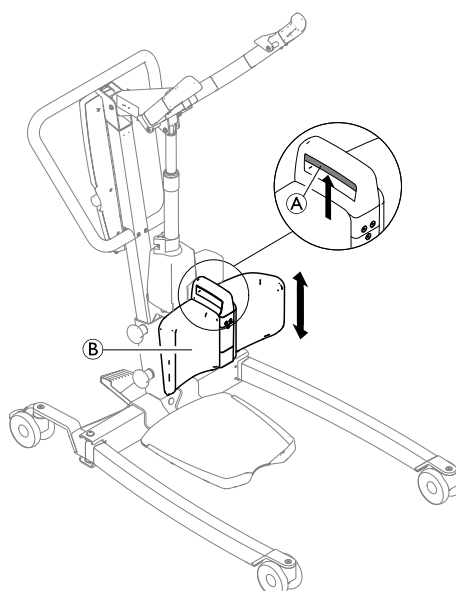
### IMPORTANTE

Recomenda-se vivamente uma prova personalizada para determinar uma definição correta e segura para cada paciente.



1. Pressione e mantenha a alavanca vermelha **A** do braço pressionada para cima.
2. Ajuste o comprimento do braço de elevação **B** para uma das nove posições disponíveis indicadas na escala **C**, colocando o campo de posição pretendido antes da extremidade do braço.
3. Solte a alavanca **A** e desloque ligeiramente o braço de elevação **B** para trás e para a frente até ouvir um clique e este ficar bloqueado na posição.

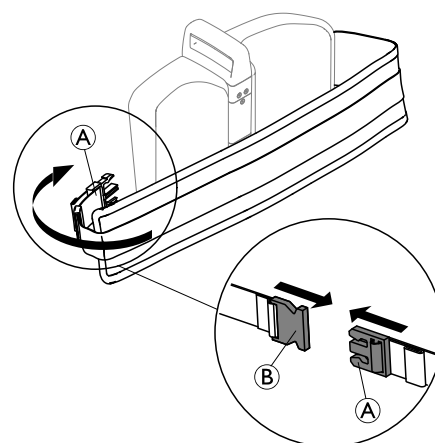
## 5.6 Ajuste da altura do apoio de pernas



1. Pressione e mantenha o manípulo de bloqueio **A** pressionado para cima no apoio das pernas **B**.
2. Faça deslizar o apoio de pernas **B** para cima ou para baixo.
3. Quando for atingida a altura pretendida, solte o manípulo **A** e mova ligeiramente o apoio de pernas **B** para cima ou para baixo até ouvir um clique e o apoio de pernas **B** fica bloqueado numa das 6 posições de altura disponíveis.

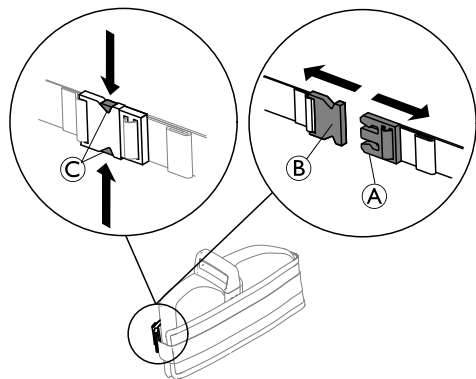
## 5.7 Utilização da faixa para as pernas

- 1.



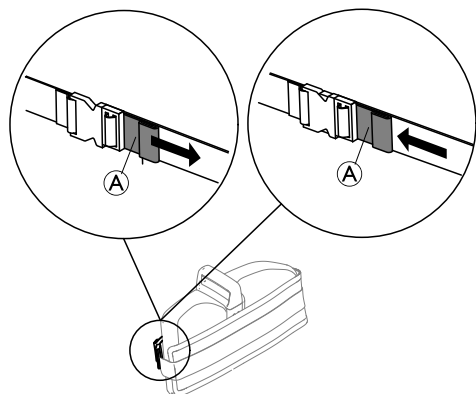
Para aplicar a faixa para as pernas, enrole a longa peça almofadada à volta do apoio de pernas e da parte inferior das pernas do paciente e empurre a lingueta **A** contra a fivela **B** no lado posterior do apoio de pernas.

- 2.



Para abrir, prima o mecanismo de desengate © e puxe a lingueta ① para fora da fivela ②.

3.

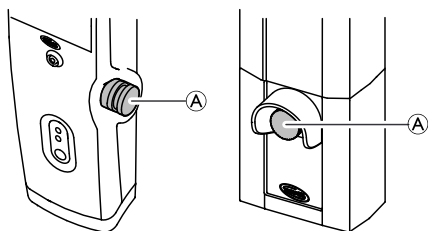


Para ajustar o comprimento da faixa para as pernas, puxe a lingueta ① para as encurtar ou empurre a lingueta ① na direção da fivela para as aumentar.

**i** Quando não se encontra nenhum paciente no elevador de transferência, enrole a faixa para as pernas à volta do apoio de pernas, feche-a e encurte-a para a apertar.

## 5.8 Funções de emergência

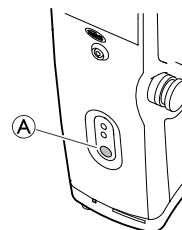
### 5.8.1 Realizar uma paragem de emergência



1. Prima o botão de emergência vermelho ① na unidade de controlo para parar o levantamento ou a descida do braço e do paciente.
2. Para repor, rode o botão de emergência no sentido dos ponteiros do relógio.

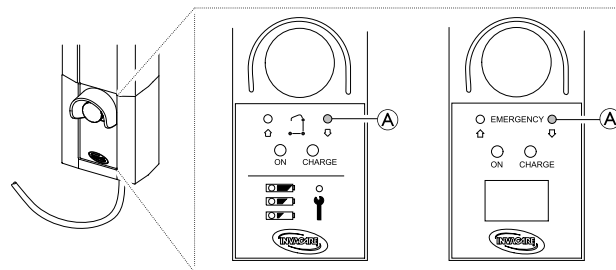
### 5.8.2 Ativação de um abaixamento de emergência (unidade de controlo CBJ-Home)

Se o comando falhar, o braço pode ser baixado utilizando o switch circular para a função de emergência.



1. Baixe o braço premindo e mantendo o botão ① premido na parte da frente da unidade de controlo.
2. Pare de baixar o braço libertando o botão.

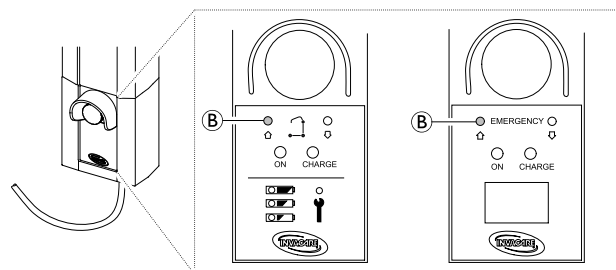
### 5.8.3 Ativação de um abaixamento de emergência (unidade de controlo CBJ Care, CBJ1, CBJ2)



Se o comando falhar, o braço pode ser baixado utilizando o switch circular para a função de emergência. Utilize um objeto pontiagudo, tal como um lápis para premir o botão.

1. Baixe o braço premindo e mantendo o botão ① premido na parte da frente da unidade de controlo.
2. Pare de baixar o braço libertando o botão.

### 5.8.4 Ativação de um levantamento de emergência (unidade de controlo CBJ Care, CBJ1)



Se o comando falhar, o braço pode ser levantado utilizando o switch circular para o levantamento de emergência. Utilize um objeto pontiagudo, tal como um lápis para premir o botão.

1. Levante o braço premindo e mantendo o botão ② premido na parte da frente da unidade de controlo.
2. Pare o levantamento do braço libertando o botão.

### 5.8.5 Ativação do mecanismo mecânico de descida de emergência

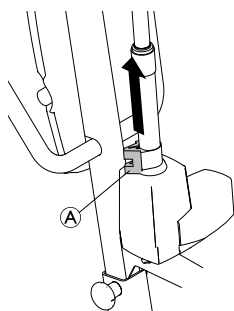
Se o descida de emergência na unidade de controlo não estiver a funcionar, está disponível um descida de emergência mecânico como recurso de reserva. Isto pode acontecer em caso de falha de energia parcial ou total, ou se a bateria acabar durante a utilização.

**ADVERTÊNCIA!****Risco de lesão ou danos**

A repetição do descida de emergência mecânico leva a um grande aumento da velocidade de descida.

- Utilize apenas o descida de emergência mecânico como recurso de reserva quando o descida de emergência na unidade de controlo não estiver a funcionar.
- Não utilize o descida de emergência mecânico repetidamente em rápida sucessão.
- Baixe sempre o paciente numa superfície de apoio como uma cama ou cadeira.
- Após a necessidade de um descida de emergência mecânico, o elevador de transferência tem de ser verificado para resolver a avaria da unidade de controlo.

1. Localize a pega de emergência vermelha (A) na parte inferior do pistão do atuador.
2. Puxe a pega de emergência vermelha (A) lentamente para cima e mantenha-a na posição quando for atingida uma velocidade segura de descida.
3. Se não ocorrer nenhum descida ao puxar completamente a pega de emergência (A), pressione o braço para baixo ao mesmo tempo.



A velocidade de descida eficaz depende do peso do paciente. Se a velocidade for demasiado baixa ou demasiado alta, pode ser adaptada ao peso do paciente.

Ajuste da velocidade de descida:

1. Localize o parafuso no orifício inferior da pega de emergência vermelha (A).
2. Rode o parafuso no sentido contrário ao dos ponteiros do relógio para aumentar a velocidade.
3. Rode o parafuso no sentido dos ponteiros do relógio para diminuir a velocidade.

## 5.9 Carregar a bateria

**! IMPORTANTE!**

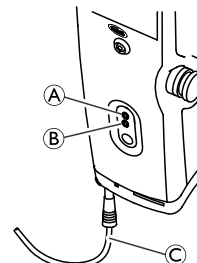
- Certifique-se de que a paragem de emergência não está ativada ao carregar a bateria.
- Certifique-se de que o carregamento é realizado numa sala bem ventilada.
- As funções elétricas não estão a funcionar quando o elevador está ligado a uma fonte de alimentação.
- Não tente utilizar o elevador se a caixa da bateria estiver danificada.
- Substitua a caixa da bateria danificada antes de utilização adicional.
- Não mova o elevador sem o desligar da tomada de alimentação.

Recomenda-se que carregue a bateria diariamente para assegurar a boa utilização do elevador e prolongar a vida

útil da mesma. Além disso, recomenda-se o carregamento da bateria antes da primeira utilização.

### 5.9.1 Unidade de controlo CBJ-Home

A unidade de controlo está equipada com um sinal sonoro. Um bip indica que a bateria tem baixa capacidade, mas ainda é possível baixar o paciente. Recomenda-se que as baterias sejam carregadas assim que o sinal sonoro seja ouvido.



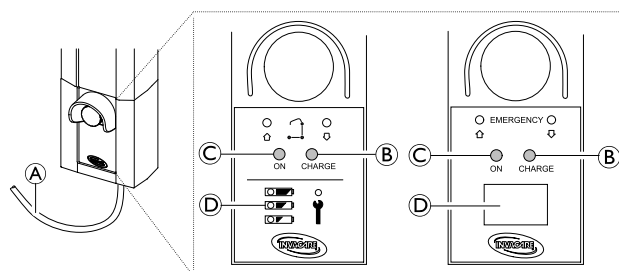
1. Ligue o cabo de alimentação (C) a uma tomada de parede.



A bateria leva cerca de 4 horas a carregar. O carregador para automaticamente quando as baterias ficam totalmente carregadas. O led amarelo superior (A) irá piscar durante o carregamento e mudará para uma luz contínua quando o carregamento terminar. O led verde inferior (B) irá acender-se e permanecer ligado enquanto a unidade de controlo estiver ligada à tomada. Acende-se também quando qualquer botão do comando é premido ou quando o abaixamento de emergência elétrico é ativado.

2. Desligue o cabo de alimentação da tomada depois de a bateria estar completamente carregada.

### 5.9.2 Unidade de controlo CBJ Care, CBJ1, CBJ2



A unidade de controlo está equipada com um sinal sonoro. Um bip indica que a bateria tem baixa capacidade, mas ainda é possível baixar o paciente. Recomenda-se que as baterias sejam carregadas assim que o sinal sonoro seja ouvido.


1. Ligue o cabo de alimentação (A) a uma tomada de alimentação.



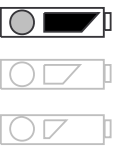
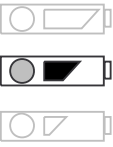
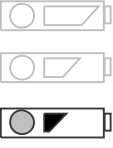
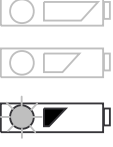
A bateria leva cerca de 4 horas a carregar. O carregador para automaticamente quando as baterias ficam totalmente carregadas. O led amarelo direito (B) irá piscar continuamente durante o carregamento e desligará quando este terminar. O led verde esquerdo (C) acende-se continuamente quando a unidade de controlo é ligada à rede de alimentação.

2. Desligue o cabo de alimentação (A) da tomada de alimentação depois de a bateria estar completamente carregada.

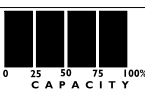
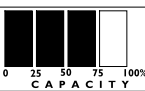
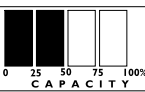
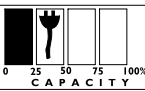
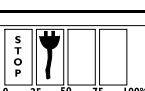
### Indicador da bateria

A unidade de controlo pode estar equipada com um indicador da bateria , indicando a capacidade restante da bateria.

#### CBJ Care



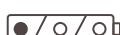

Tipo de indicador da bateria	Estado da bateria	Descrição
	Carga completa	A bateria está OK — não é necessário carregar (100–50%). O LED superior está VERDE.
	Carga parcial	A bateria necessita de ser carregada (50–25%). O LED do meio está AMARELO.
	Carga baixa	A bateria necessita de ser carregada (menos de 25%). Ouve-se um sinal sonoro quando um botão é premido. O LED inferior está AMARELO.
	Carga baixa (LED intermitente)	A bateria necessita de ser carregada.  Algumas das funcionalidades do elevador não estão disponíveis e é apenas possível baixar o braço.

#### CBJ1 e CBJ2 com LCD

Tipo de indicador da bateria	Estado da bateria	Descrição
	Carga completa (100%)	A bateria está OK — não é necessário carregar (100%).
	Carga parcial (75%)	A bateria está OK — não é necessário carregar (75%).
	Carga parcial (50%)	A bateria necessita de ser carregada (50%).
	Carga baixa (25%)	A bateria necessita de ser carregada (25%). Ouve-se um sinal sonoro quando um botão é premido.
	Carga baixa (0%)	A bateria necessita de ser carregada.  Algumas das funcionalidades do elevador não estão disponíveis e é apenas possível baixar o braço.


### Comando opcional

No caso do modelo CBJ Care, está disponível um comando opcional com indicador de bateria.

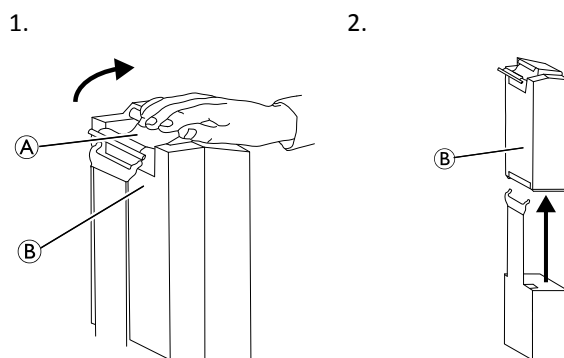
Tipo de indicador da bateria	Estado da bateria	Descrição
	Carga completa	A bateria está OK — não é necessário carregar (100–50%). O LED direito está VERDE.
	Carga parcial	A bateria necessita de ser carregada (50–25%). O LED do meio está AMARELO.
	Carga baixa	A bateria necessita de ser carregada (menos de 25%). Ouve-se um sinal sonoro quando um botão é premido. O LED esquerdo está AMARELO.
	Carga baixa (LED intermitente)	A bateria necessita de ser carregada.  Algumas das funcionalidades do elevador de transferência não estão disponíveis e é apenas possível baixar o braço.

### 5.9.3 Carregador da bateria opcional

(apenas para unidades de controlo com bateria removível)

-  O procedimento de remoção ou instalação da bateria é o mesmo para a unidade de controlo e o carregador.

#### Remover a bateria



- Levante o manípulo **A** na parte detrás da bateria **B**.
- Levante a bateria e afaste-a da unidade de controlo ou do carregador.

#### Instalar a bateria

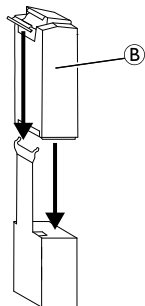


#### ATENÇÃO!

A instalação incorreta da bateria pode causar lesões ou danos.  
– Certifique-se de que ouve um clique ao instalar a bateria na unidade de controlo ou no carregador para confirmar a instalação adequada.



1. Coloque a bateria ② na unidade de controlo ou no carregador, conforme é mostrado, e certifique-se de que ouve um clique.



**i** Quando a bateria é colocada no carregador, o LED de carga acende-se. Quando o carregamento estiver concluído, o LED de carga apaga-se.

Uma bateria necessita de aproximadamente quatro horas para recarregar totalmente.

## 6 Transferência do paciente

### 6.1 Informações gerais de segurança



#### ADVERTÊNCIA!

##### Risco de lesão ou danos

A utilização incorreta deste produto pode causar lesões ou danos.

- Antes de transferir para um objeto estacionário (cadeira de rodas, cama, sanita ou outra superfície), verifique se a respetiva capacidade de peso suporta o peso do paciente.
- Se aplicável, os travões do objeto estacionário (cadeira de rodas, cama, etc.) têm de ser aplicados antes de baixar ou elevar o paciente.
- Quando utilizar o elevador de transferência juntamente com camas ou cadeiras de rodas, tenha em atenção a posição do elevador de transferência em relação a esses dispositivos, de maneira a evitar que o mesmo fique preso.
- Antes de colocar as pernas do elevador de transferência debaixo de uma cama, certifique-se de que a área está desobstruída.



#### ADVERTÊNCIA!

##### Risco de lesão ou danos

A utilização incorreta deste produto pode causar lesões ou danos.

- Utilize as barras de empurrar no mastro para empurrar ou puxar o elevador de transferência.
- Evite utilizar o elevador de transferência num declive. A Invacare recomenda que o produto seja apenas utilizado numa superfície plana.
- Durante a transferência, com o paciente suspenso numa cesta presa ao elevador de transferência, não passe com o elevador de transferência sobre superfícies irregulares que possam fazer com que o elevador tombe.
- Durante a transferência, com o paciente suspenso numa cesta, mantenha as pernas na posição máxima de abertura para máxima estabilidade. Se for necessário deslocá-lo através de uma passagem estreita, feche as pernas do elevador apenas durante o tempo necessário e volte à posição máxima de abertura assim que possível.



#### ADVERTÊNCIA!

##### Risco de lesão ou danos

Os danos em partes do elevador de transferência (comando, rodízios, etc.) causados por impacto no chão, nas paredes ou noutros objetos estacionários poderão resultar em danos no produto e provocar lesões.

- Não permita que as peças do elevador de transferência batam no pavimento, nas paredes ou noutros objetos estacionários.
- Armazene sempre devidamente o comando quando não estiver a ser utilizado.



#### ADVERTÊNCIA!

##### Risco de lesão

Podem ocorrer lesões no paciente e/ou no assistente

- Tenha sempre em atenção a posição do braço de elevação e do paciente.
- Tenha sempre em atenção a posição da placa de pé, em especial a posição do paciente na placa de pé.
- Antes de posicionar as pernas do elevador de transferência em torno do paciente, certifique-se de que os pés do paciente estão fora da placa de pé.
- Certifique-se sempre que a placa de pé e/ou os pés do paciente estão secos antes de efetuar uma transferência.



#### ADVERTÊNCIA!

##### Risco de apresamento ou estrangulamento

O cabo do comando pode provocar lesões se estiver posicionado e fixado incorretamente.

- Controle sempre a localização do cabo do comando relativamente ao paciente e aos prestadores de cuidados.
- Não permita que o cabo do comando fique emaranhado em torno do paciente e dos prestadores de cuidados.
- O comando tem de ser corretamente fixado. Armazene SEMPRE devidamente o comando quando não estiver a ser utilizado.



#### ADVERTÊNCIA!

##### Risco de apresamento ou estrangulamento

Os elementos nas imediações do paciente podem provocar apresamento ou estrangulamento durante a elevação. Para evitar o apresamento ou estrangulamento:

- Antes de levantar o paciente, verifique se este está completamente liberto dos elementos nas suas imediações.



#### ADVERTÊNCIA!

##### Risco de apresamento

Existe um risco de apresamento entre os ganchos e a cesta.

- Tenha cuidado durante o levantamento.
- Nunca ponha as mãos ou os dedos nos ganchos ou perto destes durante o levantamento.
- Certifique-se de que as mãos e os dedos do paciente estão afastados dos ganchos antes do levantamento.



#### ADVERTÊNCIA!

##### Risco de lesão

Podem ocorrer lesões no paciente e/ou no assistente:

- Se elevar o braço e/ou o apoio de pernas não estiver corretamente ajustado à altura do paciente.
- Se o ajuste do braço de elevação não estiver bloqueado, estiver danificado ou com peças gastas.

**! IMPORTANTE!**

Todos os procedimentos de transferências descritos de seguinte podem ser realizados por um (1) assistente. No entanto, a Invacare recomenda que, sempre que possível, os procedimentos sejam realizados por dois (2) assistentes.

**i** Levante o paciente apenas até à altura necessária. Um centro de gravidade inferior oferece mais estabilidade, o que faz o paciente sentir-se mais seguro e facilita a movimentação do elevador de transferência.

## 6.2 Fixar a cesta ao elevador de transferência

**! ADVERTÊNCIA!****Risco de lesão**

A utilização de cestas incorretas ou danificadas pode fazer com que o paciente caia ou provocar lesões nos assistentes.

- Utilize uma cesta aprovada pela Invacare que seja recomendada pelo médico responsável, enfermeiro ou médico assistente da pessoa a elevar, para o seu conforto e segurança.
- As cestas e os acessórios do elevador de transferência são especificamente concebidos para serem utilizados em conjunto com elevadores de transferência da Invacare.
- Após cada lavagem (em conformidade com as instruções da cesta), verifique se a(s) cesta(s) apresenta(m) sinais de desgaste, rasgos e costuras soltas.
- As cestas branqueadas, rasgadas, cortadas, desfiadas ou danificadas não são seguras e podem resultar em lesões. Descarte-as imediatamente.
- NÃO introduza alterações nas cestas.

**! ADVERTÊNCIA!****Risco de lesão**

As cestas incorretamente fixadas ou ajustadas podem fazer com que o paciente caia ou provocar lesões nos assistentes.

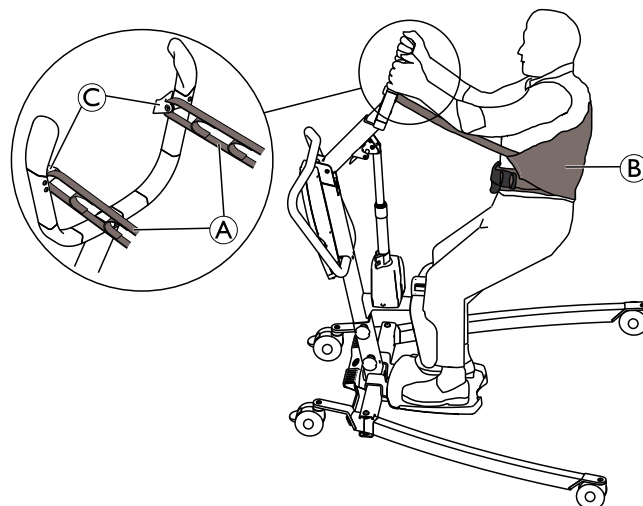
- Certifique-se de que verifica as fixações da cesta sempre que a remover e substituir, para assegurar que esta está corretamente ligada antes de o paciente ser removido de um objeto estacionário (cama, cadeira ou sanita).
- NÃO utilize qualquer espécie de almofada de incontinência de plástico ou almofada de assento entre o paciente e o material da cesta que possa fazer com que este deslize durante a transferência.
- Posicione o paciente na cesta seguindo as instruções fornecidas com a mesma.
- Os ajustes tendo em vista a segurança e o conforto do paciente devem ser realizados antes da sua deslocação.

As presilhas da cesta podem estar equipadas com correias codificadas por cores que fornecem diferentes comprimentos para colocar o paciente em várias posições. Faça corresponder as cores de cada lado da cesta para efetuar uma elevação equilibrada do paciente.

## Cesta Invacare® Stand Assist

**Risco de lesão**

- Se utilizar uma cesta Stand Assist, o paciente deve ser capaz de suportar a maior parte do seu próprio peso.
- Certifique-se de que a extremidade inferior da cesta Stand Assist está posicionada na parte inferior do encosto do paciente e que os braços do paciente estão fora da cesta.
- O cinto deve ser apertado para evitar que o paciente deslize para fora da cesta.

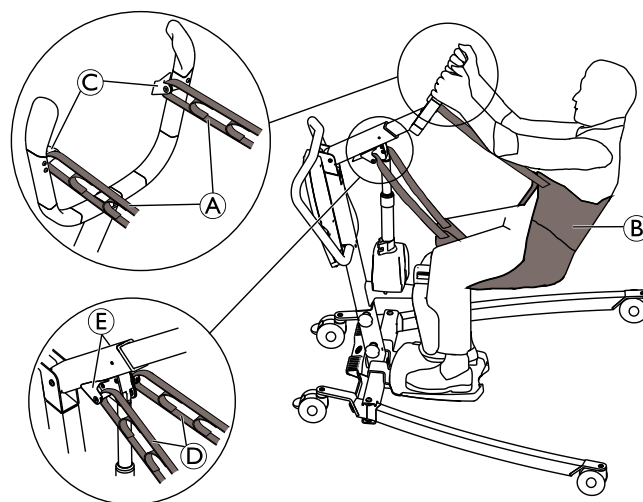


1. Encaixe as presilhas **A** da cesta **B** nos ganchos **C** do braço de elevação.

## Cesta Invacare® Transfer Stand Assist

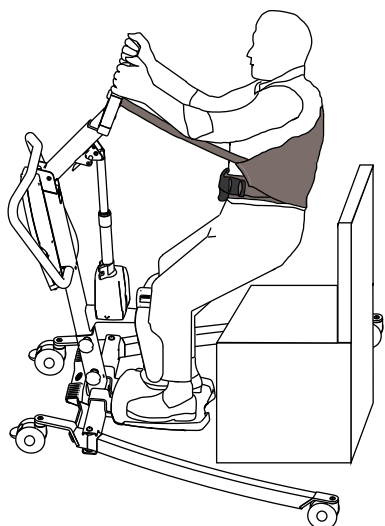
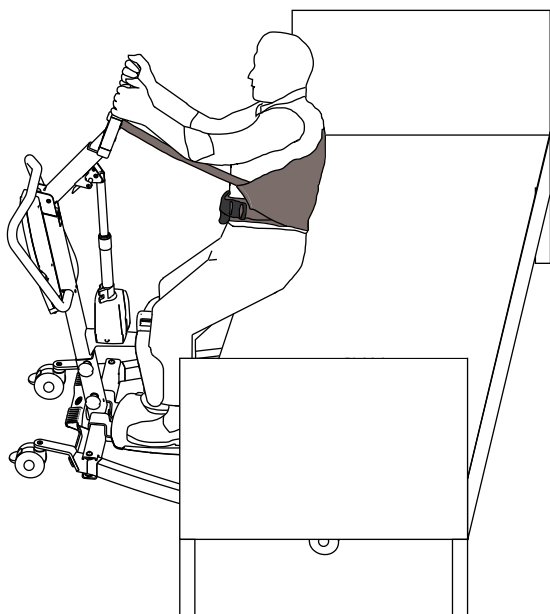
**Risco de lesão**

- Certifique-se de que a extremidade inferior da cesta Transfer Stand Assist está posicionada na base da coluna do braço e que os braços do paciente estão fora da cesta.
- Não levante o paciente para uma posição vertical completa utilizando a cesta Transfer Stand Assist.



1. Encaixe as presilhas superiores **A** da cesta **B** nos ganchos **C** do braço de elevação.
2. Encaixe as presilhas inferiores **D** da cesta **B** nos ganchos **E** do braço.

## 6.3 Transferência de um paciente



### Elevação a partir de uma superfície de assento

1. Antes de continuar, reveja as informações e tenha em atenção todas as advertências indicadas nas secções 2 *Segurança, página 195* e 6 *Transferência do paciente, página 210*.
2. Se aplicável, certifique-se que são aplicados os travões do objeto estacionário (cama, cadeira de rodas, etc.).
3. Coloque a cesta à volta do paciente. Consulte o manual de utilização da cesta.
4. Se necessário, ajuste o braço de elevação à altura do paciente. Consulte a secção 5 *Utilização, página 204*.
5. Desbloqueie os rodízios traseiros do elevador de transferência. Consulte a secção 5 *Utilização, página 204*.
6. Abra as pernas do elevador de transferência ao máximo. Consulte a secção 5 *Utilização, página 204*.
7. Utilize a barra de empurrar para deslocar o elevador de transferência para a posição adequada.
  - Para transferir um paciente a partir de uma cama, as pernas do elevador de transferência são colocadas por baixo da cama
  - Para transferir um paciente a partir de uma cadeira de rodas, sanita, cadeira, etc., as pernas do elevador de transferência são colocadas de cada lado do objeto estacionário.

8. Instrua ao paciente para colocar os pés na placa de pé e encostar a parte inferior das pernas ao apoio de pernas. Se necessário, ajude o paciente e certifique-se de que os pés estão bem posicionados na placa de pé
9. Certifique-se que a extremidade superior da almofada do apoio de pernas é colocada cerca de 2 dedos abaixo dos joelhos (rótula) do paciente. Se necessário, ajuste a altura do apoio de pernas. Consulte a secção 5 *Utilização, página 204*
10. Se aplicável, ajuste e aplique a faixa para as pernas à volta da parte inferior das pernas dos pacientes. Consulte a secção 5 *Utilização, página 204*
11. Baixe o elevador de transferência para obter um encaixe fácil da cesta. Consulte a secção 5 *Utilização, página 204*
12. Bloqueie os rodízios traseiros do elevador de transferência. Consulte a secção 5 *Utilização, página 204*
13. Fixe a cesta. Consulte a secção 6.2 *Fixar a cesta ao elevador de transferência, página 211*
14. Desbloqueie os rodízios traseiros do elevador de transferência. Consulte a secção 5 *Utilização, página 204*
15. Indique ao paciente que segure as pegas em ambos os lados do braço de elevação.
16. Indique ao paciente que se recoste na cesta.
17. Prima o botão com a seta PARA CIMA no comando para levantar o paciente acima do objeto estacionário. Consulte a secção 5 *Utilização, página 204*
18. Antes de se mover o paciente, volte a verificar se a cesta está corretamente ligada aos ganchos do braço de elevação. Se os encaixes não estiverem corretamente colocados, volte a baixar o paciente para o objeto estacionário e corrija o problema.
19. Utilizando a barra de empurrar, afaste o elevador de transferência do objeto estacionário.

### Abaixamento para uma superfície de assento

1. Antes de continuar, reveja as informações e tenha em atenção todas as advertências indicadas nas secções 2 *Segurança, página 195* e 6 *Transferência do paciente, página 210*
2. Certifique-se de que o paciente está suficientemente levantado para transpor a superfície para a qual vai ser transferido. Se aplicável, eleve o paciente e/ou baixe do objeto estacionário.
3. Se aplicável, certifique-se que são aplicados os travões do objeto estacionário (cama, cadeira de rodas, etc.).
4. Posicione o paciente o mais afastado da superfície de assento.
  - Para transferir um paciente para uma cama, as pernas do elevador de transferência são colocadas por baixo da cama
  - Para transferir um paciente para uma cadeira de rodas, sanita, cadeira, etc., as pernas do elevador de transferência são colocadas de cada lado do objeto estacionário.
5. Prima o botão da seta para BAIXO e baixe o paciente para a superfície de assento. Consulte a secção 5 *Utilização, página 204*
6. Bloqueie os rodízios traseiros do elevador de transferência. Consulte a secção 5 *Utilização, página 204*
7. Desengate a cesta de todos os pontos de fixação no elevador de transferência posição vertical.
8. Se aplicável, retire a faixa para as pernas à volta da parte inferior das pernas do paciente. Consulte a secção 5 *Utilização, página 204*
9. Indique ao paciente que levante os pés da placa de pé. Se necessário, ajude o paciente.

10. Desbloqueie os rodízios traseiros do elevador de transferência. Consulte a seção 5 *Utilização*, página 204
11. Afaste o elevador de transferência do objeto estacionário.
12. Retire a cesta do paciente.
  - i O paciente pode permanecer na cesta Invacare® Stand Assist enquanto utiliza a sanita. Neste caso, a cesta não deve ser colocada à volta do paciente antes de o levantar da sanita.

---

## 7 Transporte e armazenamento

---

### 7.1 Informações gerais

Durante o transporte ou quando o elevador de transferência não é utilizado há já algum tempo, o botão de paragem de emergência deve estar premido.

Um elevador de transferência desmontado pode ser acondicionado na caixa da embalagem para transporte e armazenamento.

O elevador de transferência deve ser armazenado à temperatura ambiente normal. Se for guardado num ambiente húmido, frio ou molhado, o motor e as outras peças de montagem podem tender à corrosão. Consulte a secção *11.4 Condições ambientais, página 222*

### 7.2 Desmontagem do elevador de transferência

1. Remova a alavanca da abertura das pernas, se esta estiver colocada.
2. Baixe o braço e feche totalmente as pernas.
3. Ative o botão de paragem de emergência e aplique os travões dos rodízios.
4. Ajuste o braço de elevação para o comprimento mínimo. Consulte a secção *5.5 Ajuste do braço de elevação à altura do corpo do paciente, página 205*
5. Execute o procedimento descrito na secção *4.6 Instalação do apoio de pernas, página 202* pela ordem inversa.
6. Execute o procedimento descrito na secção *4.3 Instalação do mastro na base, página 201* pela ordem inversa.
7. Execute o procedimento descrito na secção *4.4 Instalação da placa de pé, página 202* pela ordem inversa.

## 8 Manutenção

### 8.1 Informações gerais sobre manutenção



#### ATENÇÃO!

##### Risco de lesão ou danos

- Não realize qualquer procedimento de manutenção ou assistência enquanto o produto estiver a ser utilizado.

Siga os procedimentos de manutenção descritos neste manual para manter o seu produto em funcionamento contínuo.

Os procedimentos de manutenção e inspeção adicionais, que se destinam a ser realizados por um técnico qualificado, são descritos no manual de assistência deste produto. Os manuais de assistência podem ser solicitados à Invacare.

### 8.2 Inspeções diárias



#### ADVERTÊNCIA!

##### Risco de lesão ou danos

Peças danificadas ou desgastadas podem afetar a segurança do elevador de transferência.

- O elevador de transferência deve ser verificado sempre que for utilizado.
- Não utilize o elevador de transferência se encontrar danos ou se tiver dúvidas sobre a segurança de qualquer das suas peças. Contacte o fornecedor Invacare imediatamente e assegure que o elevador de transferência não é utilizado até as reparações estarem terminadas.

#### Lista de verificação da inspeção diária

- Inspeccione visualmente o elevador de transferência. Verifique todas as peças quanto a sinais de desgaste ou danos externos.
- Verifique todas as ferragens, pontos de fixação e peças sob tensão, tais como as cestas, os ganchos e quaisquer pontos de rotação para identificar sinais de desgaste, fissuras, desfiamento, deformação ou deterioração.
- Verifique se o comando está funcional (movimentos de elevação e das pernas).
- Carregue a bateria todos os dias que o elevador de transferência for utilizado.
- Verifique a função de paragem de emergência.
- Verifique a luz de assistência (apenas a unidade de controlo CBJ Care).



A luz de assistência é indicada pelo símbolo de uma chave na unidade de controlo e aplica-se ao comando.

- Se a luz de assistência estiver a piscar a amarelo, o elevador de transferência necessita de assistência. Não utilize o elevador de transferência e contacte o seu fornecedor Invacare para obter assistência.
- Se a luz de assistência não estiver a piscar, o elevador de transferência está pronto a ser utilizado.

## 8.3 Limpeza e desinfeção

### 8.3.1 Informações gerais de segurança



#### ATENÇÃO!

##### Risco de contaminação

- Tome precauções pessoais e utilize equipamento de proteção apropriado.



#### ATENÇÃO!

##### Risco de choque elétrico e danos no produto

- Desligue o dispositivo e desligue o cabo da tomada elétrica, se aplicável.
- Quando limpar componentes eletrónicos, tenha em conta a respetiva classe de proteção quanto à entrada de água.
- Certifique-se de que evita quaisquer salpicos de água na ficha ou tomada de parede.
- Não toque na tomada com as mãos molhadas.



#### IMPORTANTE!

Métodos ou fluidos errados podem prejudicar ou danificar o produto.

- Todos os agentes de limpeza e desinfetantes utilizados têm de ser eficazes, compatíveis entre si e passíveis de proteger os materiais aos quais são aplicados para limpeza.
- Nunca utilize líquidos corrosivos (alcalinos, ácidos, etc.) ou agentes de limpeza abrasivos. Recomendamos um agente de limpeza doméstico normal, como, por exemplo, detergente da loiça, se não houver especificações em contrário nas instruções de limpeza.
- Nunca utilize um solvente (diluyente celulósico, acetona, etc.) que altere a estrutura do plástico ou dissolva as etiquetas afixadas.
- Certifique-se sempre de que o produto está completamente seco antes de o pôr novamente em funcionamento.



Para a limpeza e desinfeção em ambientes de cuidados clínicos ou de longa duração, siga os procedimentos internos.

### 8.3.2 Intervalos de limpeza



#### IMPORTANTE!

A limpeza e a desinfeção regulares melhoram o funcionamento correto, aumentam a vida útil e evitam a contaminação.

Limpe e desinfete o produto

- regularmente enquanto está a ser utilizado,
- antes e depois de qualquer operação de assistência,
- depois de ter estado em contacto com quaisquer fluidos corporais
- e antes da sua utilização por um novo utilizador.

### 8.3.3 Instruções de limpeza

#### ! IMPORTANTE!

- O produto não tolera a limpeza em sistemas de lavagem automática nem a utilização de equipamento de limpeza de alta pressão ou vapor.

#### Limpeza do elevador de transferência

Método: Limpe com uma escova macia ou um pano molhado.

Temperatura máxima: 40 °C

Solvente/agentes químicos: Utilize água e agentes de limpeza domésticos.

Secagem: Seque com um pano macio.

#### Limpeza da cesta

Consulte as instruções de lavagem da cesta e o respetivo manual para obter detalhes sobre a limpeza.

### 8.3.4 Instruções de desinfeção



Pode encontrar informações sobre os desinfetantes e os métodos recomendados em <https://vah-online.de/en/for-users>.

### Em cuidados domiciliários

Método: Siga as notas de aplicação para o desinfetante utilizado e desinfete todas as superfícies acessíveis com toalhetes.

Desinfetante: Desinfetante doméstico comum.

Secagem: Deixe o produto secar ao ar.

### Em cuidados clínicos e de longo prazo

Siga os procedimentos de desinfeção internos e utilize apenas os desinfetantes e métodos especificados.

## 8.4 Intervalo para manutenção



#### ADVERTÊNCIA!

#### Risco de lesão ou danos

As operações de manutenção só podem ser realizadas por técnicos qualificados.

- Contacte o fornecedor Invacare para solicitar manutenção.

É necessário realizar as operações de manutenção pelo menos a cada 12 meses, salvo indicação em contrário dos requisitos locais.



## 9 Após a utilização

### 9.1 Eliminação

**ADVERTÊNCIA!****Perigo ambiental**

O dispositivo contém baterias.

Este produto pode conter substâncias que podem ser prejudiciais para o ambiente, se for eliminado em locais (aterros) que não estejam em conformidade com a legislação.

- NÃO elimine as baterias juntamente com o lixo doméstico comum.
- As baterias TÊM DE ser entregadas a uma instalação de eliminação adequada. A devolução das baterias é exigida por lei e gratuita.
- Elimine apenas as baterias descarregadas.
- Tape os terminais das baterias de lítio antes da eliminação.
- Para obter informações sobre o tipo de bateria, consulte a etiqueta da bateria ou o capítulo 11 *Características Técnicas, página 220*

Seja amigo do ambiente e recicle este produto no fim da respetiva vida útil através das instalações de reciclagem existentes.

Desmonte o produto e os seus componentes, para que os diferentes materiais possam ser separados e reciclados individualmente.

A eliminação e a reciclagem de produtos utilizados e da embalagem devem cumprir as leis e os regulamentos relativos à gestão de resíduos de cada país. Para obter informações, contacte a empresa de gestão de resíduos local.

### 9.2 Recondicionamento

Este produto é adequado para reutilização. Para o recondicionamento do produto para um novo utilizador, execute as seguintes ações:

- Limpeza e desinfeção
- Inspeção de acordo com o plano de assistência

Para obter informações detalhadas sobre inspeção, limpeza e desinfeção, consulte o manual de utilização e o manual de assistência deste produto.

## 10 Resolução de problemas

### 10.1 Identificação de falhas e soluções possíveis


Sintomas	Falhas	Solução
O elevador de transferência parece estar solto	Junta do mastro/base solta	Volte a apertar o mastro/a ligação da base. Consulte a secção 4.3 <i>Instalação do mastro na base, página 201</i>
	Mecanismo manual da abertura das pernas solto	Contacte o seu fornecedor Invacare
Os rodízios/travões emitem ruído ou estão perros	Cotão ou detritos nos rolamentos	Limpe o cotão e os detritos dos rodízios
	Os rodízios/travões estão danificados	Contacte o seu fornecedor Invacare
Ruído ou som seco nos eixos	Os eixos estão gastos ou danificados	Contacte o seu fornecedor Invacare
O atuador eléctrico não levanta nem baixa o braço ou as pernas não abrem nem fecham quando o botão é premido	Conector do comando ou do atuador solto	Ligue o conector do comando ou atuador. Certifique-se de que os conectores estão bem encaixados e totalmente ligados
	Bateria fraca	Carregue a bateria. Consulte a secção 5.9 <i>Carregar a bateria, página 207</i>
	O botão de paragem de emergência está premido	Rode o botão de paragem de emergência no sentido dos ponteiros do relógio até sobressair
	Bateria não ligada corretamente à unidade de controlo	Volte a ligar a bateria à unidade de controlo. Consulte a secção 5.9.3 <i>Carregador da bateria opcional, página 208</i>
	Os terminais de ligação estão danificados	Contacte o seu fornecedor Invacare
	Cabo de alimentação ligado à tomada de alimentação	Desligue o cabo de alimentação da tomada de alimentação
	O atuador do braço ou das pernas está danificado	Contacte o seu fornecedor Invacare
	A carga máxima foi ultrapassada	Reduza a carga (e o elevador de transferência irá funcionar normalmente).
Ruído involuntário do atuador	O atuador está danificado	Contacte o seu fornecedor Invacare
O braço não baixa ao ativar a função de emergência manual	O braço requer uma carga de peso mínima para baixar a partir da posição mais elevada	Puxe ligeiramente o braço para baixo
A unidade de controlo emite um bipe durante a elevação e o motor para	A carga máxima foi ultrapassada	Reduza a carga (e o elevador de transferência irá funcionar normalmente).
A bateria não carrega	O cabo de alimentação não está corretamente ligado à unidade de controlo/e ou à tomada de alimentação	Certifique-se de que os conectores estão bem encaixados e totalmente ligados. Consulte a secção 5.9 <i>Carregar a bateria, página 207</i>
	O cabo de alimentação está danificado	Contacte o seu fornecedor Invacare
Não é possível ajustar o braço de elevação	A alavanca vermelha do braço não está a ser pressionada para cima	Consulte a secção 5.5 <i>Ajuste do braço de elevação à altura do corpo do paciente, página 205</i>
	O braço de elevação já está na posição máxima ou mínima	Consulte a secção 5.5 <i>Ajuste do braço de elevação à altura do corpo do paciente, página 205</i>
	O mecanismo de ajuste está danificado	Contacte o seu fornecedor Invacare

Sintomas	Falhas	Solução
	O braço está na posição errada	Mova o braço para a posição horizontal. Consulte a secção 5.3 <i>Levantar/Baixar o elevador eléctrico, página 204</i>
O apoio de pernas não pode ser instalado nem ajustado	O manípulo de bloqueio não está a ser pressionado para cima	Consulte a secção 4.6 <i>Instalação do apoio de pernas, página 202</i>
	O mecanismo de ajuste está danificado	Contacte o seu fornecedor Invacare
	A faixa para as pernas está a obstruir a parte posterior do apoio de pernas	Desobstrua a parte posterior do apoio de pernas
O mastro não pode ser montado na base	O braço está a apontar na direção errada	Coloque o braço na posição correta. Consulte a secção 4.3 <i>Instalação do mastro na base, página 201</i>
O elevador de transferência não desliza	Os rodízios estão bloqueados.	Desbloqueie os rodízios. Consulte 5.2 <i>Bloquear/Desbloquear os rodízios traseiros, página 204</i>

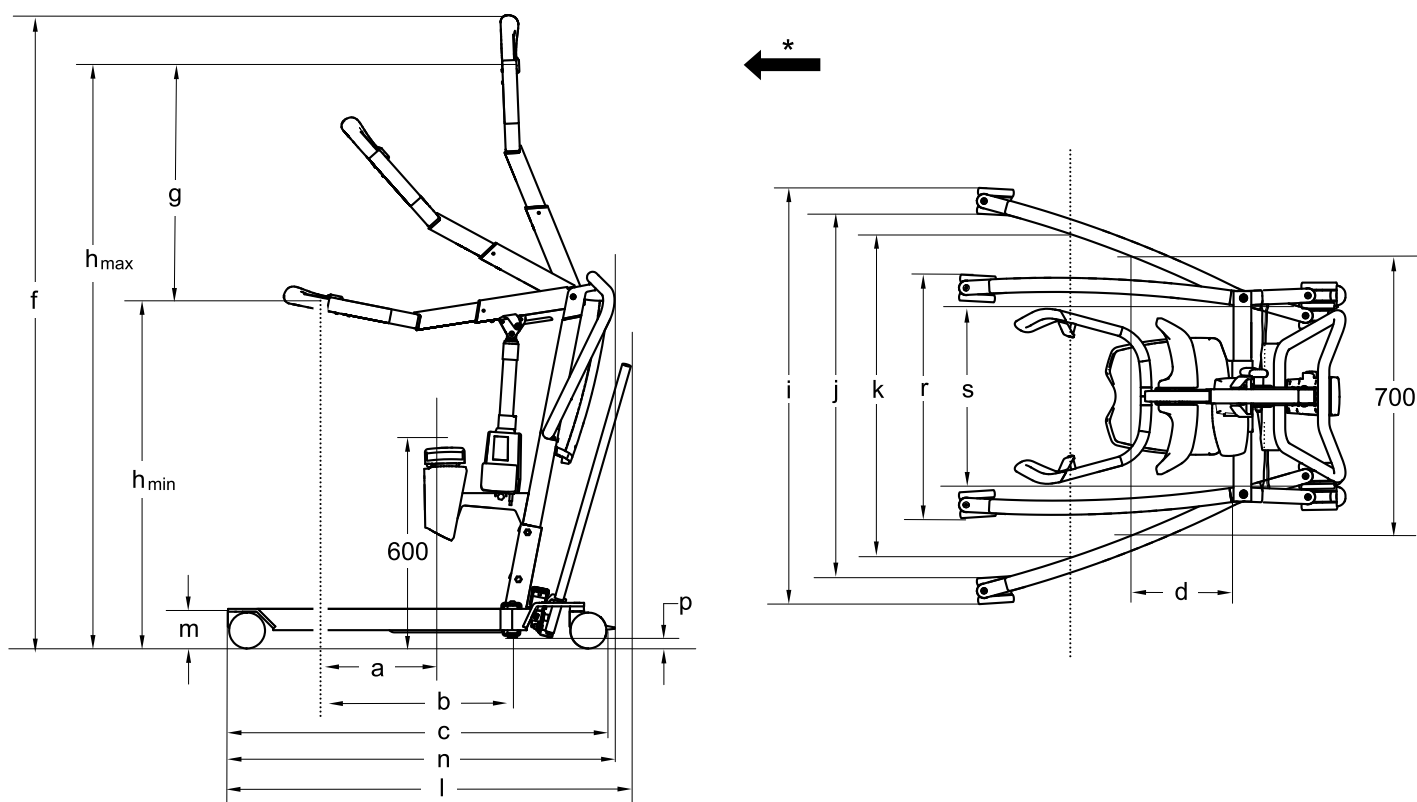
 Contacte o seu fornecedor Invacare, se as instruções acima não resolverem os seus problemas.

## 11 Características Técnicas

### 11.1 Carga útil máxima de segurança

	ISA™ COMPACT	ISA™ STANDARD	ISA™ PLUS	ISA™ XPLUS
Carga útil máxima de segurança (paciente + cesta)	140 kg	160 kg	180 kg	200 kg

### 11.2 Dimensões e pesos



\* Direção em frente

Dimensões [mm]	ISA™ COMPACT	ISA™ STANDARD	ISA™ PLUS	ISA™ XPLUS
Diâmetro do rodízio dianteiro/traseiro	75 / 75	100 / 100	100 / 100	100 / 125
Alcance máximo a 600 mm (a)*	110 - 270	110 - 270	110 - 270	110 - 270
Alcance máximo desde a base (b)*	340 - 500	340 - 500	340 - 500	340 - 500
Comprimento da base (c)	900	925	1080	1220
Comprimento total sem alavanca (n)	925	925	n/a	1280
Comprimento total com alavanca (l)*	980 - 1000	980 - 1000	1145	1290
Alcance desde a base com as pernas estendidas até 700 mm (d)	420	420	225	225
Altura máxima (f)*	1635 - 1785	1650 - 1800	1650 - 1800	1650 - 1800
Intervalo de levantamento (g)*	505 - 675	505 - 675	505 - 675	505 - 675
Altura mínima no gancho da cesta (h <sub>min</sub> )*	945 - 970	960 - 985	960 - 985	960 - 985
Altura máxima no gancho da cesta (h <sub>max</sub> )*	1475 - 1620	1490 - 1635	1490 - 1635	1490 - 1635
Largura total (pernas abertas), medida externa (i)	865	885	1110	1170

Dimensões [mm]	ISA™ COMPACT		ISA™ STANDARD	ISA™ PLUS	ISA™ XPLUS
Largura total (pernas abertas), medida interna (j)	755	735	960	1020	1020
Largura total (pernas fechadas), medida externa (r)	515	535	635	640	640
Largura interna mínima (s)	380	380	495	495	495
Largura interna com o alcance máximo (k)*	640 - 725	640 - 725	775 - 870	775 - 870	775 - 870
Diâmetro de rotação	1060	1060	1260	1400	1430
Altura até à extremidade superior das pernas (m)	100	115	115	115	115
Altura livre mínima (p)	20	35	35	35	35

\* O alcance depende da posição totalmente retraída ou expandida do braço de elevação

Peso das peças principais [kg]	ISA™ COMPACT	ISA™ STANDARD	ISA™ PLUS	ISA™ XPLUS
Peso total	43	48	49	52
Peso, mastro, incl. bateria	19			20
Peso, secção manual das pernas	15	20	21	N/A
Peso, secção elétrica das pernas	N/A	20	21	23
Apoio de pernas	5			
Placa de pé (alta, baixa e inclinada)	4			

### 11.3 Sistema elétrico

	ISA™ COMPACT	ISA™ STANDARD	ISA™ PLUS	ISA™ XPLUS
Tensão de saída	24 VCC			
Tensão de alimentação	100 – 240 V CA, 50/60 Hz			
Corrente de entrada máxima	280 mA (para CBJ Home) / 400 mA (para CBJ2)	280 mA (para CBJ Home)/ 400 mA (para CBJ1 e CBJ2)	280 mA (para CBJ Home)/ 400 mA (para CBJ1, CBJ2 e CBJ Care)	400 mA (para CBJ1 e CBJ Care)
Classe de proteção (dispositivo completo)	IPX4*			
Classe de isolamento	Equipamento de classe II			
Peça aplicada de tipo B	Peça aplicada, em conformidade com os requisitos especificados para proteção contra choque elétrico de acordo com a norma IEC60601-1.			
Nível sonoro	45 – 50 dB(A)			
Capacidade de funcionamento	82 elevações completas (com a bateria entre 100% – 50% da capacidade completa)			
Intermitente (utilização periódica dos motores)	10%, máximo 2 min/18 min			
Especificações da bateria	2 x 12 V/2,9 Ah			
Tipo de bateria	Chumbo-ácido (sem necessidade de assistência, selada)			
Abaixamento de emergência manual	Sim (na parte inferior do atuador)			
Abaixamento/levantamento de emergência elétrico	Sim/Não (para CBJ2 e CBJ Home)	Sim/Sim (para CBJ1) / Sim/Não (para CBJ2 e CBJ Home)	Sim/Sim (para CBJ1 e CBJ Care) / Sim/Não (para CBJ2 e CBJ Home))	Sim/Sim (para CBJ1 e CBJ Care)

\*IPx4 - O sistema está protegido contra salpicos de água de qualquer direção.

## 11.4 Condições ambientais

	Armazenamento e transporte	Funcionamento
Temperatura	-10 °C a +50 °C	+5 °C a +40 °C
Humidade relativa	20% a 90% a 30 °C, sem condensação	
Pressão atmosférica	800 hPa a 1060 hPa	



Deixe que o produto atinja a temperatura de funcionamento antes da utilização:

- O aquecimento após a temperatura mínima de armazenamento pode demorar cerca de 30 minutos.
- O arrefecimento após a temperatura máxima de armazenamento pode demorar cerca de 5 minutos.

## 11.5 Materiais

Componente	Material
Base, pernas, mastro e braço	Aço lacado
Conector do braço, parafusos e porcas	Aço, galvanizado
Pegas	TPE
Ganchos da cesta	TPU
Almofada do apoio de pernas	PU com pele integral
Capa da placa de pé	PVC, PU

Componente	Material
Compartimento do atuador, comando, proteção do mastro, rodízios e outras peças de plástico	Material em conformidade com a marca (PA, PP, PE)
Faixa para as pernas	PA, PES, PVC, PU

Todos os componentes do produto são resistentes à corrosão ou têm proteção contra a corrosão.

## 11.6 Forças de funcionamento dos controlos

Controlo	Força de funcionamento
Botões na unidade de controlo	4 N
Botões no comando	4 N
Pedal no ISA™ COMPACT com rodízios de 100 mm*	270 N
Alavanca de abertura das pernas no ISA™ COMPACT	64 N
Alavanca de abertura das pernas no ISA™ STANDARD	70 N
Alavanca da abertura das pernas no ISA™ PLUS	85 N

\* Para todas as outras dimensões dos modelos e rodízios, é obrigatória uma alavanca para a abertura das pernas manual.

## 12 Compatibilidade eletromagnética (EMC)

### 12.1 Informações gerais sobre compatibilidade eletromagnética (EMC)

O equipamento elétrico médico deve ser instalado e utilizado de acordo com as informações de EMC incluídas neste manual.

Este produto foi testado e considerado em conformidade com os limites de EMC especificados pela norma IEC/EN 60601-1-2 para o equipamento de Classe B.

Os equipamentos de comunicações de RF portáteis e móveis podem afetar o funcionamento deste produto.

Outros dispositivos poderão sofrer interferências mesmo com os baixos níveis de emissões eletromagnéticas permitidos pela norma acima mencionada. Para determinar se as emissões deste produto estão a provocar a interferência, ligue e desligue o mesmo. Se a interferência com o funcionamento do outro dispositivo parar, significa que este produto está a causar a interferência. Nestes casos raros, poderá reduzir ou corrigir a interferência tomando uma das seguintes medidas:

- Reposicionar, mudar de sítio ou aumentar o espaço entre os dispositivos.

### 12.2 Emissões eletromagnéticas

#### Diretrizes e declaração do fabricante

Este produto destina-se a utilização no ambiente eletromagnético especificado abaixo. O cliente ou o utilizador deste produto deverá assegurar a sua utilização neste ambiente.


Teste de emissões	Conformidade	Ambiente eletromagnético – diretrizes
Emissões de RF CISPR 11	Grupo I	Este produto só utiliza energia de RF para a sua função interna. Como tal, as emissões de RF são muito baixas e não deverão causar interferências com o equipamento eletrónico circundante.
RF emissions CISPR 11	Classe B	Este produto é adequado para utilização em todos os estabelecimentos, incluindo zonas residenciais e aqueles diretamente ligados à rede pública de alimentação de baixa tensão que abastece edifícios para fins habitacionais.
Emissões de harmónicos IEC 61000-3-2	Classe A	
Variações de tensão/emissões de tremulação IEC 61000-3-3	Em conformidade	

### 12.3 Imunidade eletromagnética

#### Diretrizes e declaração do fabricante

Este produto destina-se a utilização no ambiente eletromagnético especificado abaixo. O cliente ou o utilizador deste produto deverá assegurar a sua utilização neste ambiente.

Teste de imunidade	Nível de teste/conformidade	Ambiente eletromagnético – diretrizes
Descarga eletrostática (ESD) IEC 61000-4-2	± 8 kV contacto ± 2 kV, ± 4 kV, ± 8 kV, ± 15 kV ar	O pavimento deve ser de madeira, betão ou mosaico cerâmico. Se o pavimento estiver revestido com material sintético, a humidade relativa deverá ser de, pelo menos, 30%.
Surto/transiente eletrostático IEC 61000-4-4	± 2 kV para linhas de alimentação; frequência de repetição 100 kHz ± 1 kV para linhas de entrada/saída; frequência de repetição 100 kHz	A qualidade da alimentação deverá corresponder a um ambiente comercial ou hospitalar típico.
Sobretensão IEC 61000-4-5	± 1 kV de linha a linha ± 2 kV de linha a terra	A qualidade da alimentação deverá corresponder a um ambiente comercial ou hospitalar típico.

Teste de imunidade	Nível de teste/conformidade	Ambiente eletromagnético – diretrizes
Quedas de tensão, interrupções curtas e variações de tensão nas linhas de entrada de alimentação IEC 61000-4-11	< 0% $U_T$ para 0,5 ciclo a incrementos de 45° 0% $U_T$ para 1 ciclo 70% $U_T$ para 25/30 ciclos < 5% $U_T$ para 250/300 ciclos	A qualidade da alimentação deverá corresponder a um ambiente comercial ou hospitalar típico. Se o utilizador deste produto necessitar de um funcionamento contínuo durante as interrupções da alimentação, recomenda-se que o produto seja alimentado a partir de uma fonte de alimentação ininterrupta ou de uma bateria.  $U_T$ é a tensão da rede CA antes da aplicação do nível de teste.
Campo magnético da frequência da alimentação (50/60 Hz) IEC 61000-4-8	30 A/m	Os campos magnéticos da frequência de alimentação deverão estar a níveis característicos próprios de um ambiente comercial ou hospitalar.
RF conduzida IEC 61000-4-6	3 V 150 kHz a 80 Mhz  6 V em bandas ISM e por radioamador	As intensidades de campo dos transmissores fixos, tais como estações de base para telefones de rádio (celulares/sem fios) e rádios móveis terrestres, radioamador, transmissão de rádio AM e FM e emissão de TV não podem ser previstas teoricamente com exatidão. Para avaliar o ambiente eletromagnético derivado dos transmissores de RF fixos, deve ser considerado um levantamento eletromagnético do local. Se a intensidade de campo medida na localização onde este produto é utilizado exceder o nível de conformidade de RF aplicável acima, este produto deverá ser monitorizado para conferir o seu funcionamento normal. Se for observado um desempenho anormal, serão necessárias medidas adicionais, tais como reorientar ou mudar o produto de local.  Podem ocorrer interferências nas proximidades de equipamento assinalado com o seguinte símbolo: 
RF irradiada IEC 61000-4-3	10 V/m 80 Mhz a 2,7 GHz  Para as especificações do teste de 385 MHz - 5785 MHz para imunidade relativamente a equipamentos de comunicações sem fios de RF, consulte a tabela 9 da norma IEC 60601-1-2:2014	Os equipamentos de comunicações de RF portáteis e móveis não devem ser utilizados a uma distância inferior a 30 cm de qualquer parte deste produto (incluindo cabos).



Estas diretrizes podem não se aplicar a todas as situações. A propagação eletromagnética é afetada pela absorção e reflexão em estruturas, objetos e pessoas.









## Invacare Sales Companies

### Ireland:

Invacare Ireland Ltd,  
Unit 5 Seatown Business Campus  
Seatown Road, Swords, County  
Dublin  
Tel : (353) 1 810 7084  
Fax: (353) 1 810 7085  
ireland@invacare.com  
www.invacare.ie

### United Kingdom:

Invacare Limited  
Pencoed Technology Park, Pencoed  
Bridgend CF35 5AQ  
Tel: (44) (0) 1656 776 222  
Fax: (44) (0) 1656 776 220  
uk@invacare.com  
www.invacare.co.uk

### Danmark:

Invacare A/S  
Sdr. Ringvej 37  
DK-2605 Brøndby  
Tel: (45) (0)36 90 00 00  
Fax: (45) (0)36 90 00 01  
denmark@invacare.com  
www.invacare.dk

### Deutschland:

Invacare GmbH,  
Alemannenstraße 10  
D-88316 Isny  
Tel: (49) (0)7562 700 0  
Fax: (49) (0)7562 700 66  
kontakt@invacare.com  
www.invacare.de

### Österreich:

Invacare Austria GmbH  
Herzog-Odilo-Straße 101  
A-5310 Mondsee-Tiefgraben  
Tel: (43) 6232 5535 0  
Fax: (43) 6232 5535 4  
info-austria@invacare.com  
www.invacare.at

### Schweiz / Suisse / Svizzera:

Invacare AG  
Benkenstrasse 260  
CH-4108 Witterswil  
Tel: (41) (0)61 487 70 80  
Fax: (41) (0)61 487 70 81  
switzerland@invacare.com  
www.invacare.ch

### España:

Invacare SA  
c/Areny s/n, Polígon Industrial de  
Celrà  
E-17460 Celrà (Girona)  
Tel: (34) (0)972 49 32 00  
Fax: (34) (0)972 49 32 20  
contactsp@invacare.com  
www.invacare.es

### France:

Invacare Poirier SAS  
Route de St Roch  
F-37230 Fondettes  
Tel: (33) (0)2 47 62 64 66  
Fax: (33) (0)2 47 42 12 24  
contactfr@invacare.com  
www.invacare.fr

### Italia:

Invacare Mecc San s.r.l.,  
Via dei Pini 62,  
I-36016 Thiene (VI)  
Tel: (39) 0445 38 00 59  
Fax: (39) 0445 38 00 34  
italia@invacare.com  
www.invacare.it

### Nederland:

Invacare BV  
Galvanistraat 14-3  
NL-6716 AE Ede  
Tel: (31) (0)318 695 757  
Fax: (31) (0)318 695 758  
nederland@invacare.com  
www.invacare.nl

### Belgium & Luxemburg:

Invacare nv  
Autobaan 22  
B-8210 Loppem  
Tel: (32) (0)50 83 10 10  
Fax: (32) (0)50 83 10 11  
belgium@invacare.com  
www.invacare.be

### Norge:

Invacare AS  
Grensesvingen 9, Postboks 6230,  
Etterstad  
N-0603 Oslo  
Tel: (47) (0)22 57 95 00  
Fax: (47) (0)22 57 95 01  
norway@invacare.com  
www.invacare.no

### Portugal:

Invacare Lda  
Rua Estrada Velha, 949  
P-4465-784 Leça do Balio  
Tel: (351) (0)225 1059 46/47  
Fax: (351) (0)225 1057 39  
portugal@invacare.com  
www.invacare.pt

### Suomi:

Camp Mobility  
Patamäenkatu 5, 33900 Tampere  
Puhelin 09-35076310  
info@campmobility.fi  
www.campmobility.fi

### Sverige:

Invacare AB  
Fagerstagatan 9  
S-163 53 Spånga  
Tel: (46) (0)8 761 70 90  
Fax: (46) (0)8 761 81 08  
sweden@invacare.com  
www.invacare.se

### Australia:

Invacare Australia Pty. Ltd.  
1 Lenton Place, North Rocks NSW  
2151  
Australia  
Phone: 1800 460 460  
Fax: 1800 814 367  
orders@invacare.com.au  
www.invacare.com.au

### New Zealand:

Invacare New Zealand Ltd  
4 Westfield Place, Mt Wellington  
1060  
New Zealand  
Phone: 0800 468 222  
Fax: 0800 807 788  
sales@invacare.co.nz  
www.invacare.co.nz



Invacare Portugal, Lda  
Rua Estrada Velha 949  
4465-784 Leça do Balio  
Portugal

